



US00D445540S

(12) **United States Design Patent** (10) **Patent No.:** **US D445,540 S**
Hirata (45) **Date of Patent:** **** Jul. 24, 2001**

(54) **HAIR IRON**

(75) Inventor: **Yoshihiro Hirata**, Kyoto Pref. (JP)
(73) Assignee: **Phild Co., Ltd.**, Kyoto Pref. (JP)
(*) Notice: This patent is subject to a terminal disclaimer.
(**) Term: **14 Years**

(21) Appl. No.: **29/108,344**
(22) Filed: **Jul. 27, 1999**

(30) **Foreign Application Priority Data**
Feb. 2, 1999 (JP) 11-2329
(51) **LOC (7) Cl.** **28-03**
(52) **U.S. Cl.** **D28/35**
(58) **Field of Search** D32/70, 68, 69;
38/60, 71, 72, 74, 88, 77.1, 77.8; 219/245,
227, 228, 221, 222, 225; D28/10, 35; 132/223-269,
271

(56) **References Cited**

U.S. PATENT DOCUMENTS

D. 93,755	*	11/1934	Arnold	D28/11
D. 211,750	*	7/1968	Richards et al.	D32/70
D. 253,973	*	1/1980	Rosse	D28/35
1,365,079	*	1/1921	Bardsley	132/132
1,472,561	*	10/1923	Haberkamp	132/269
1,610,807	*	12/1926	Morgan	132/269
1,923,862	*	8/1933	Frederics	219/225
2,243,061	*	5/1941	Lamia	30/71
4,024,375	*	5/1977	Olesen et al.	219/225
4,242,567	*	12/1980	Carter	219/225
5,934,293	*	8/1999	Kaizuka	132/225

OTHER PUBLICATIONS

Retailing Home Furnishings—HFD, May 16, 1988, page unknown: Zodiac styler shown by arrow.*
* cited by examiner

Primary Examiner—Ted Shooman
Assistant Examiner—C. Tuttle
(74) *Attorney, Agent, or Firm*—Wenderoth, Lind & Ponack, L.L.P.

(57) **CLAIM**

The ornamental design for a hair iron, as shown and described.

DESCRIPTION

FIG. 1 is a front view of a hair iron in accordance with the present design;
FIG. 2 is a rear view thereof;
FIG. 3 is a right side view thereof;
FIG. 4 is a left side view thereof;
FIG. 5 is a top plan view thereof;
FIG. 6 is a front view showing the design in an open state;
FIG. 7 is a plan view seen in the direction of arrows 7—7 in FIG. 1; and,
FIG. 8 is a perspective view showing the design in use in a person's hand.
A bottom view is omitted because it is symmetrical to the plan view of FIG. 5.
The broken line showing of the cord is for illustrative purposes only and forms no part of the claimed design.
The surface(s) or portion(s) of the article not shown in the drawings or described in the specification form(s) no part of the claimed design.

1 Claim, 3 Drawing Sheets

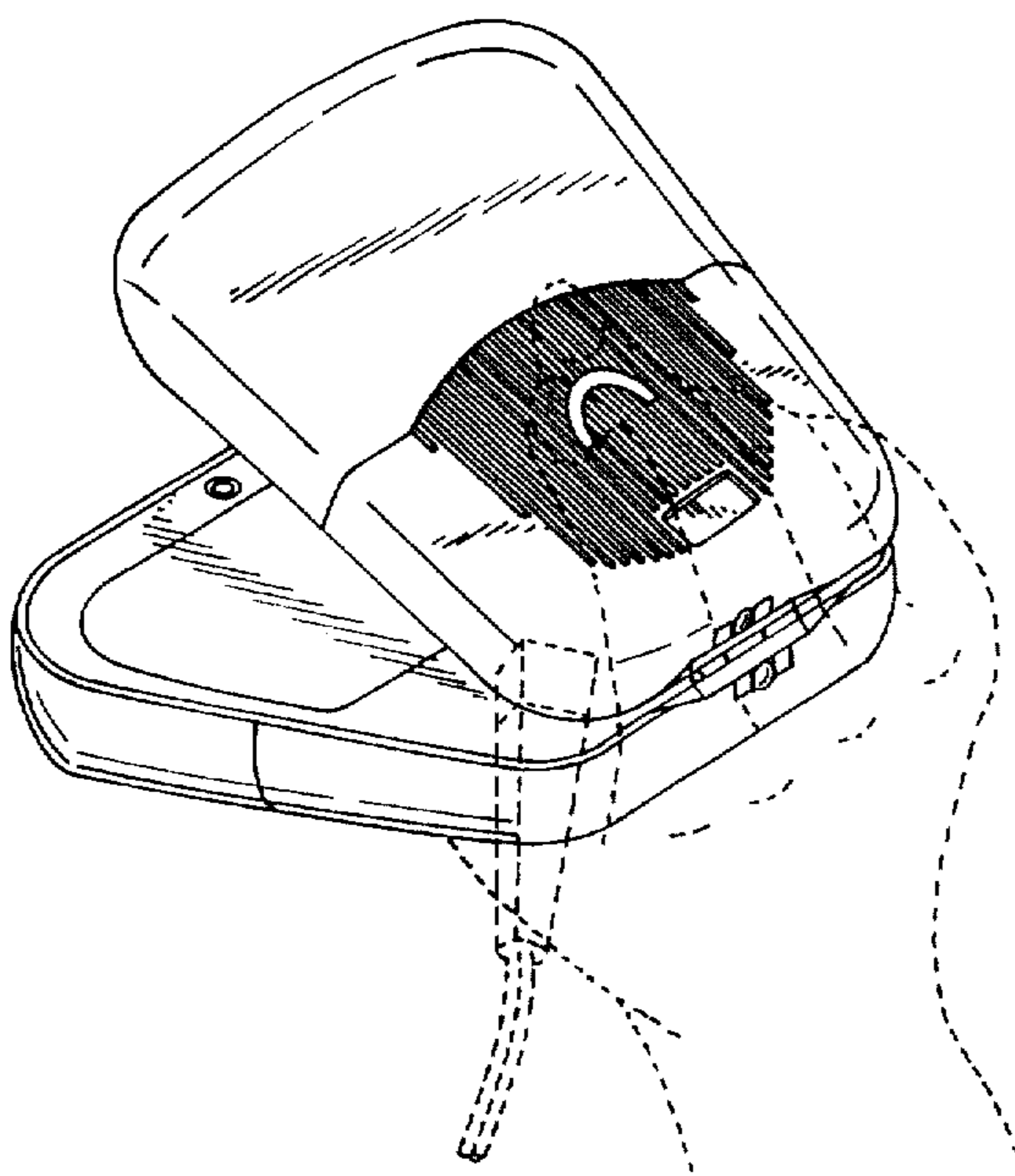


FIG. 1

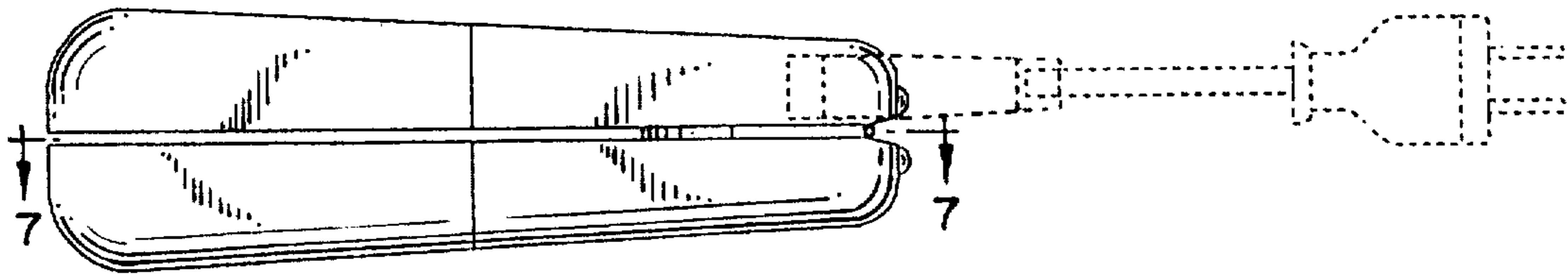


FIG. 2

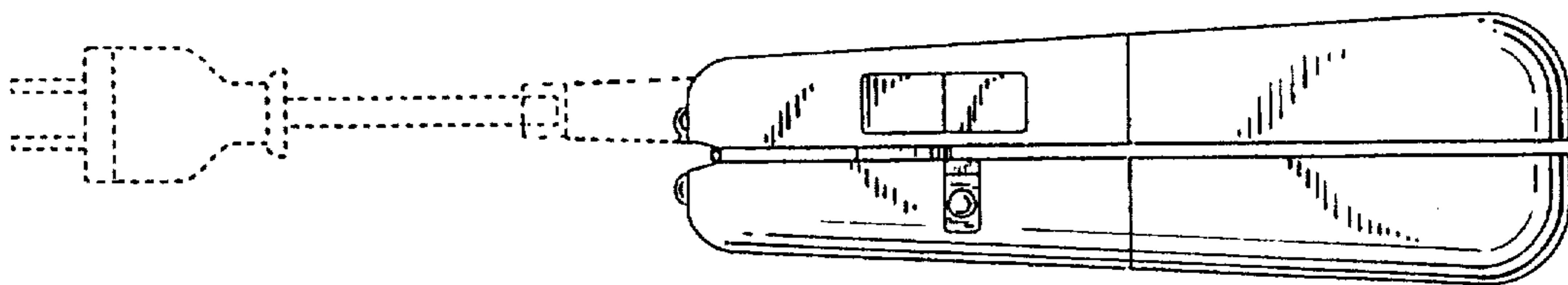


FIG. 3

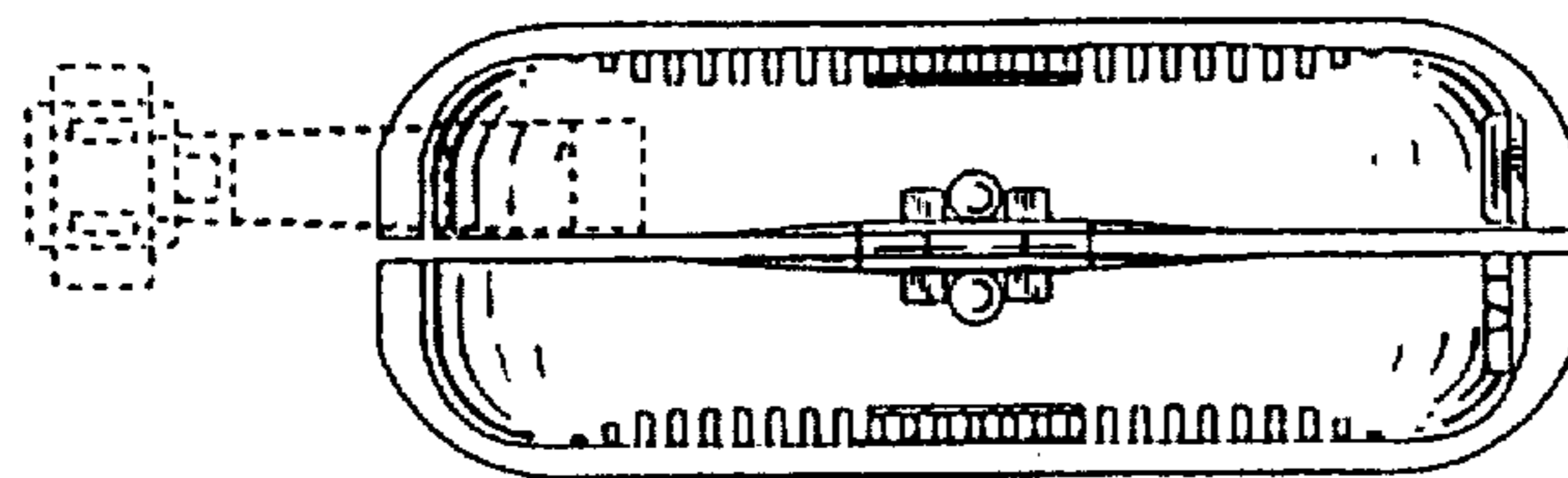


FIG. 4

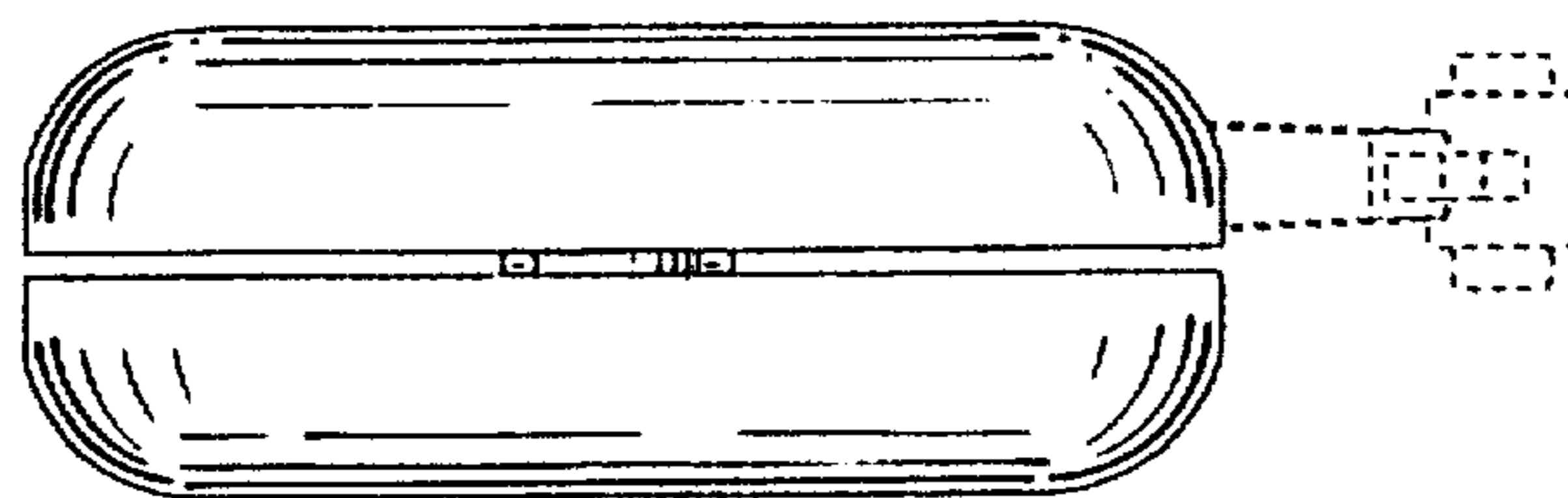


FIG. 5

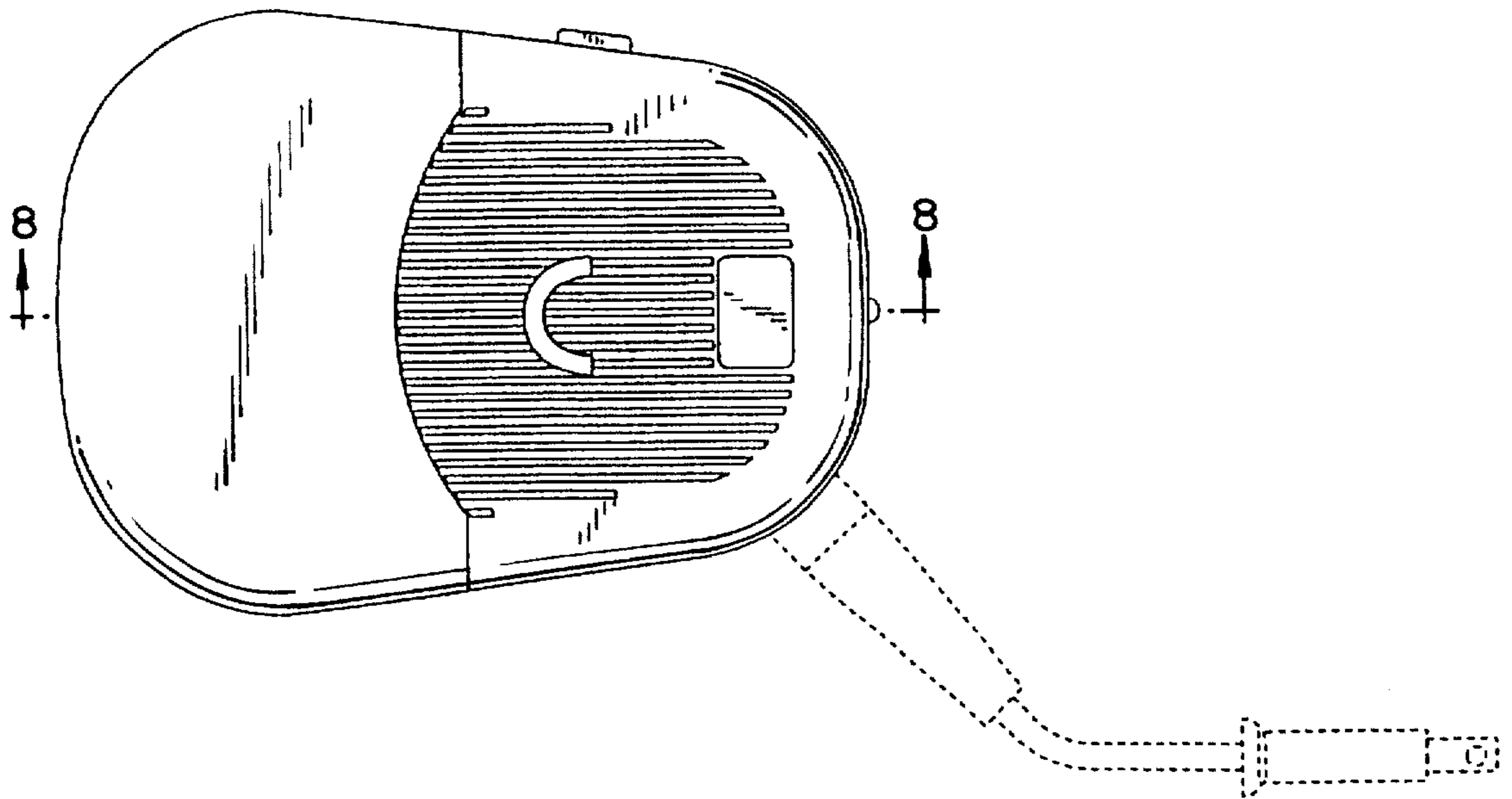


FIG. 6

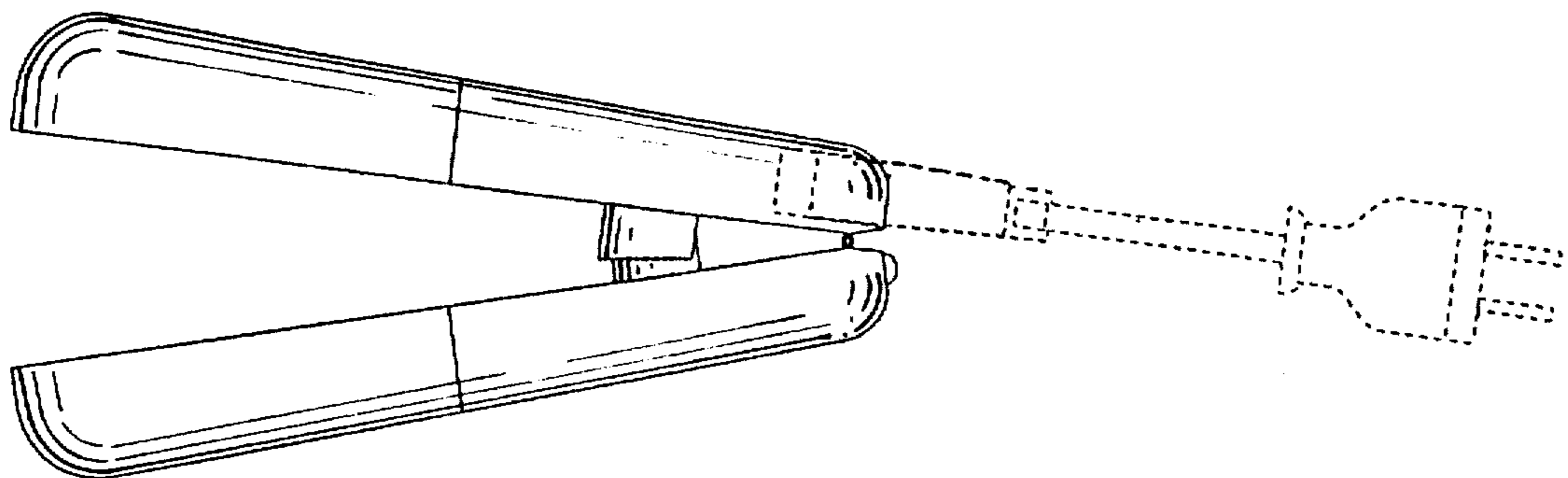


FIG. 7

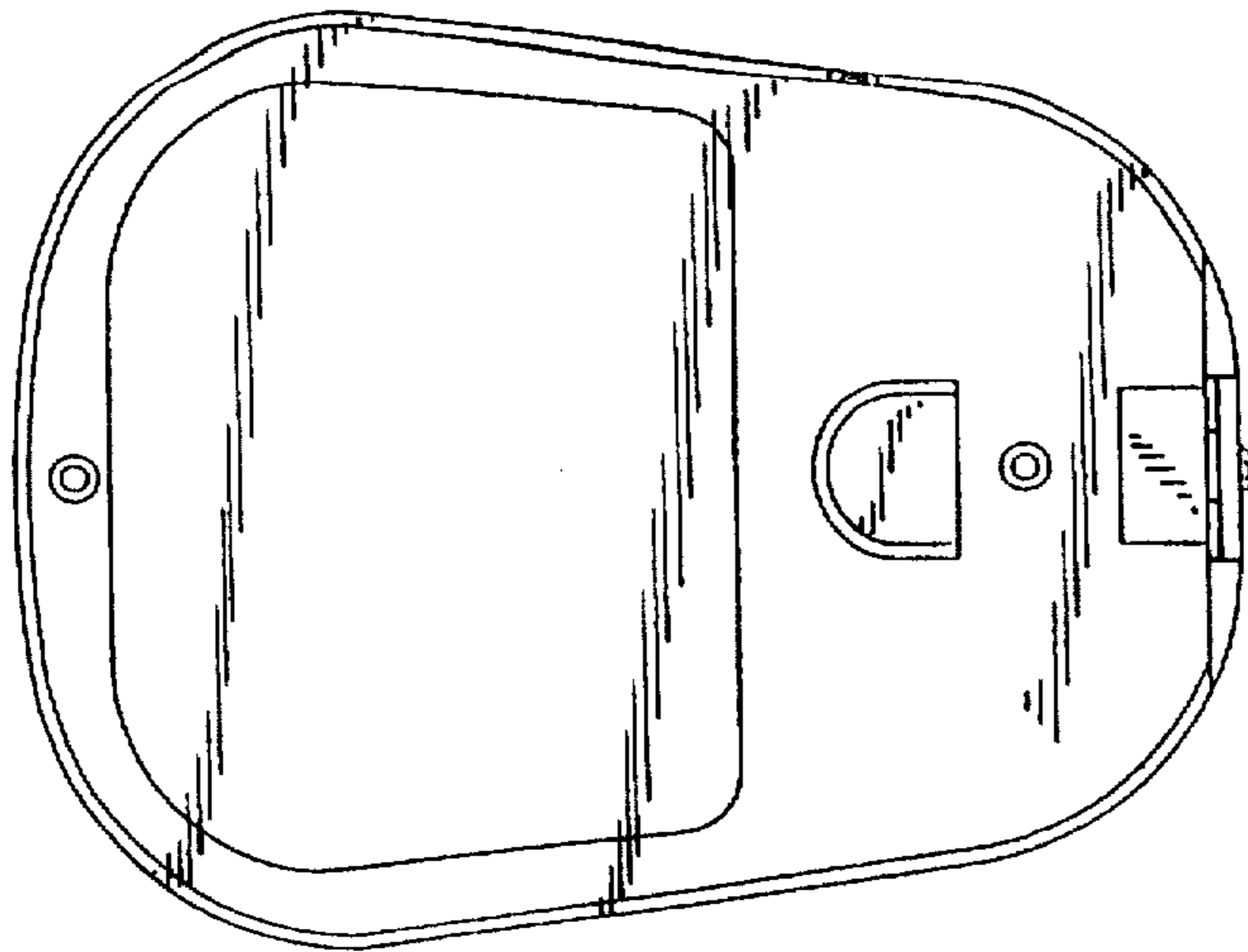


FIG. 8

