



US00D445530S

(12) **United States Design Patent**
Orozco

(10) **Patent No.:** **US D445,530 S**

(45) **Date of Patent:** **** Jul. 24, 2001**

(54) **LAMP**

(75) Inventor: **Sergio J. Orozco**, West New York, NJ (US)

(73) Assignee: **Quoizel, Inc.**, Goose Creek, SC (US)

(**) Term: **14 Years**

(21) Appl. No.: **29/132,878**

(22) Filed: **Nov. 16, 2000**

(51) **LOC (7) Cl.** **26-03**

(52) **U.S. Cl.** **D26/110**

(58) **Field of Search** D26/92-112, 142;
362/410-414

(56) **References Cited**

U.S. PATENT DOCUMENTS

D. 95,524 * 5/1935 Laxer D26/94

OTHER PUBLICATIONS

Item No. 50-919 GC, Catalog p. 6, Minoff by Kichler Catalog No. 799, 1999.

Home Lighting & Accessories, lamp bases on p. 25, Feb. 1997.*

Home Lighting & Accessories, Quoizel lamp base on p. 42, Oct. 1997.*

Home Lighting & Accessories, J.B. Hirsch lamp base on p. 68, Dec. 1997.*

Pacific Coast R Lighting Collection sales brochure, lamp No. 642-C4 and 642-76, 1996.*

* cited by examiner

Primary Examiner—Alan P. Douglas

Assistant Examiner—Linda Brooks

(74) *Attorney, Agent, or Firm*—Nelson Mullins Riley & Scarborough

(57) **CLAIM**

The ornamental design for a lamp, substantially as shown and described.

DESCRIPTION

FIG. 1 is a perspective view of a lamp embodying the design of the present invention.

FIG. 2 is a front side elevational view of the lamp illustrated in FIG. 1, with the left side elevational view, the right side elevational view and the back side elevational view being identical thereto.

FIG. 3 is a top view of the lamp of FIG. 1; and,

FIG. 4 is a bottom view of the lamp of FIG. 1.

The lamp shade shown in broken lines does not form a part of the claimed design.

1 Claim, 3 Drawing Sheets

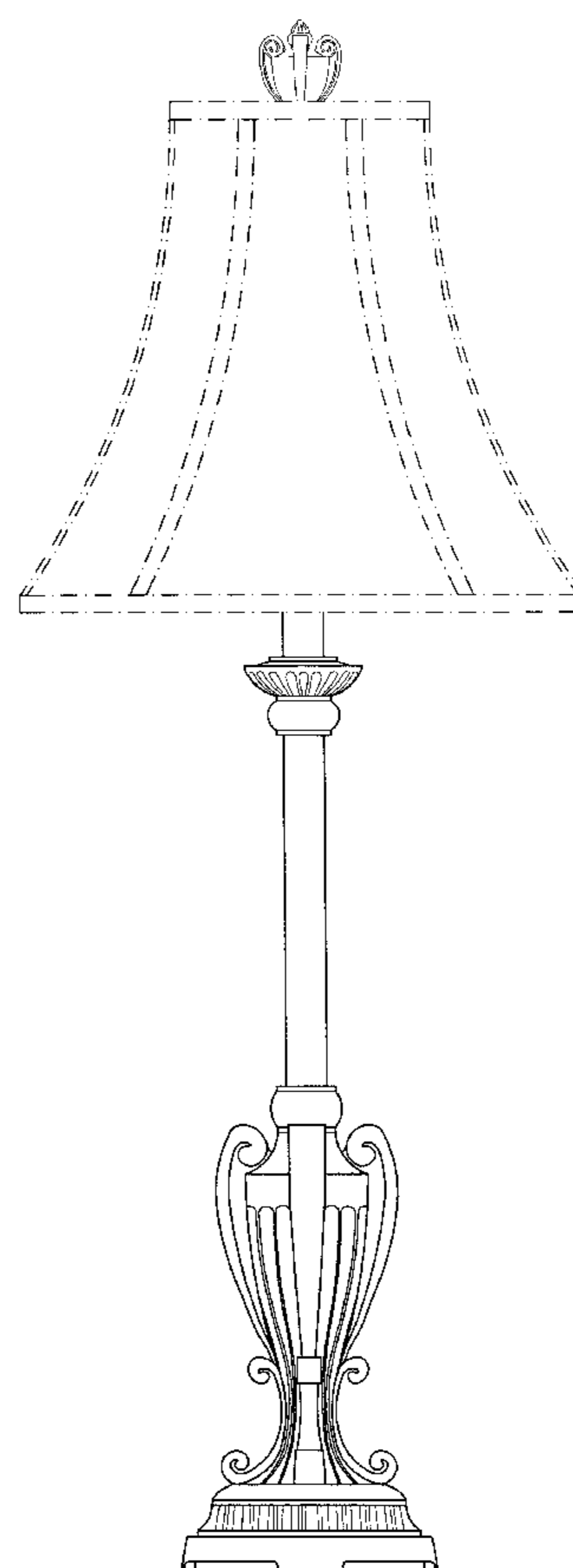
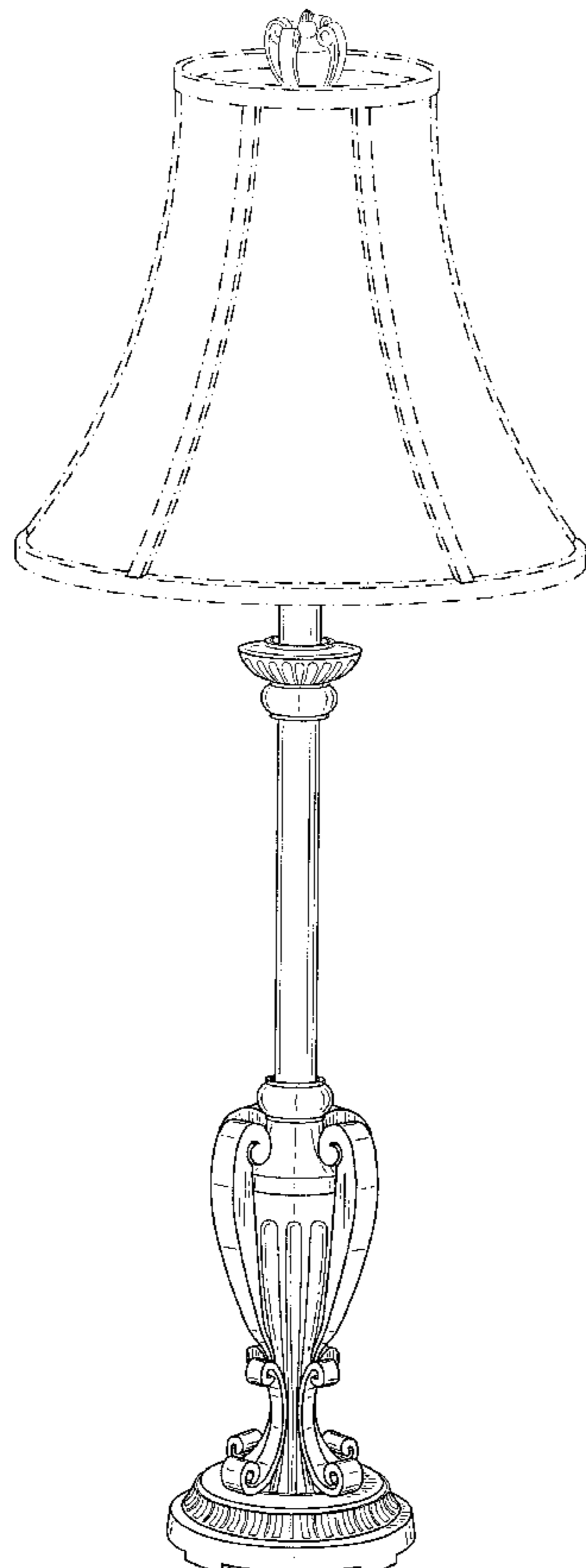


FIG. 1

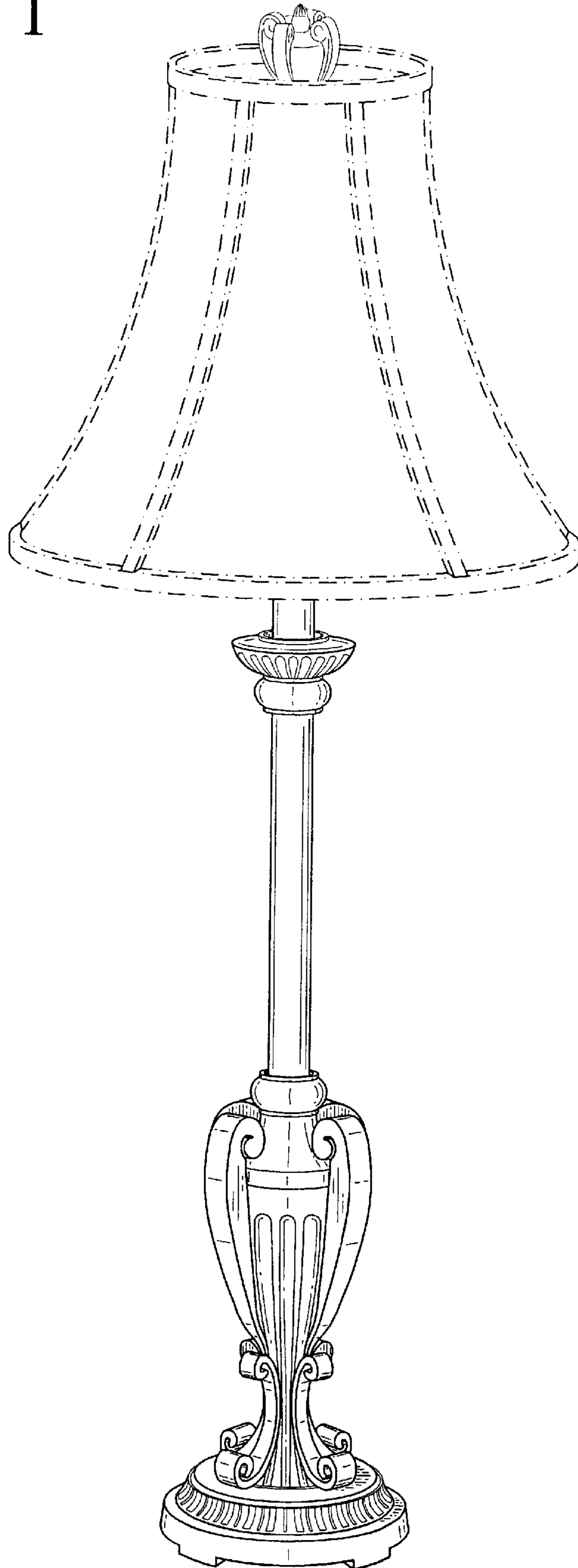


FIG. 2

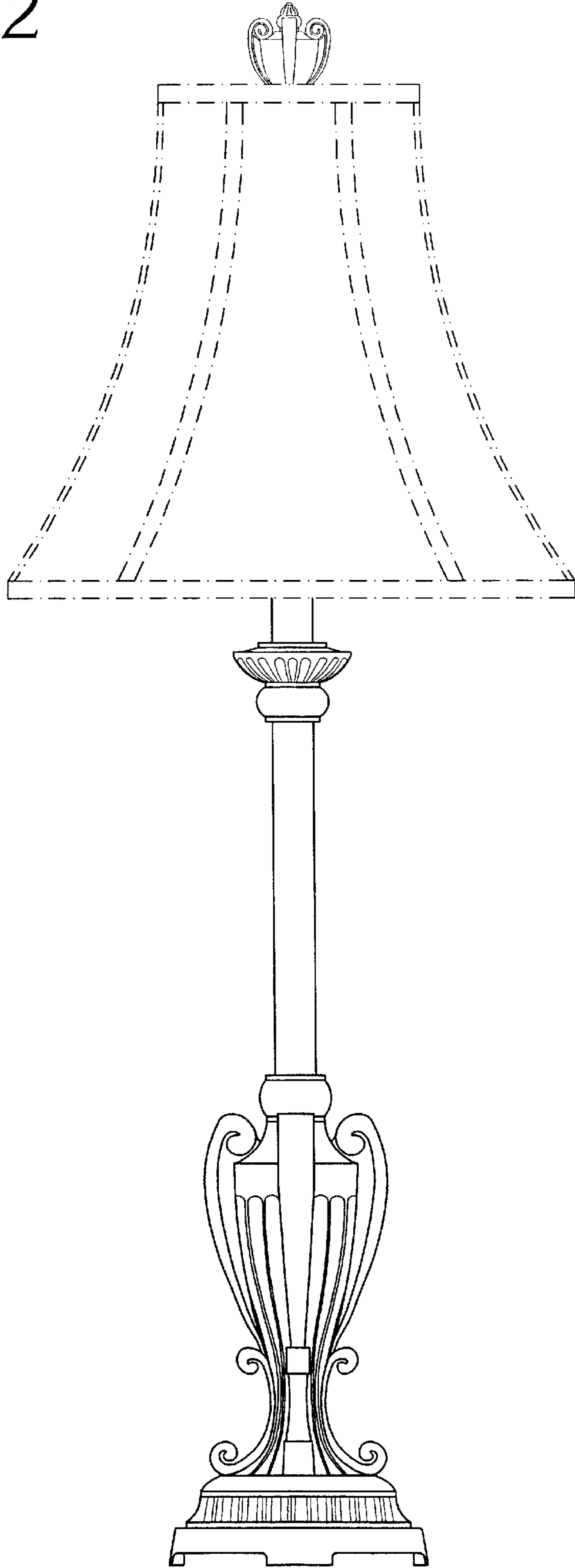


FIG. 3

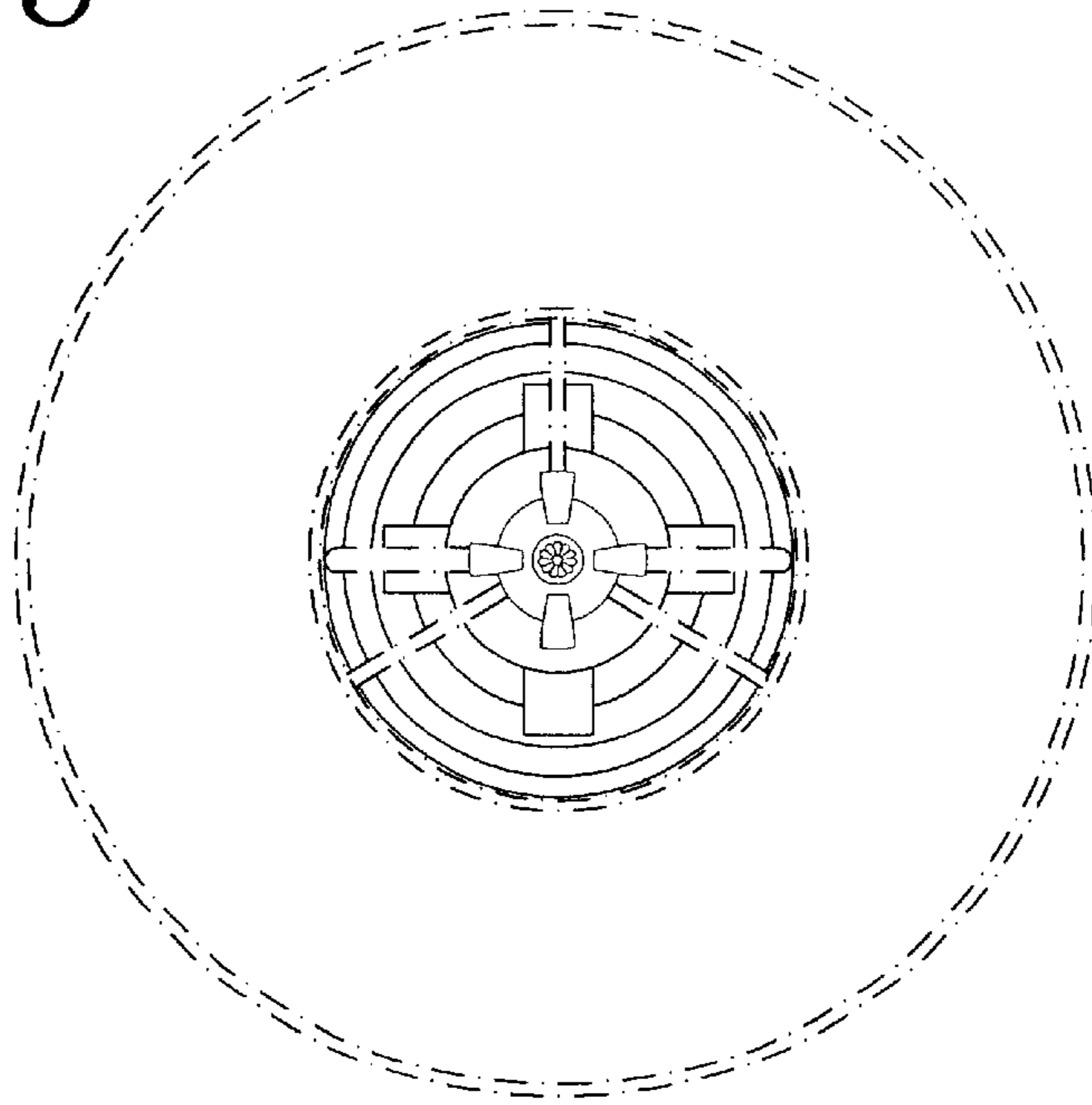


FIG. 4

