



US00D44528S

(12) **United States Design Patent**  
**Nicholas**

(10) **Patent No.:** **US D445,528 S**

(45) **Date of Patent:** **\*\* Jul. 24, 2001**

(54) **LIGHTING FIXTURE**

(75) Inventor: **Kenneth J. Nicholas**, Parma, OH (US)

(73) Assignee: **The L. D. Kichler Co.**, Cleveland, OH (US)

(\*\*) Term: **14 Years**

(21) Appl. No.: **29/131,347**

(22) Filed: **Oct. 18, 2000**

(51) **LOC (7) Cl.** ..... **26-05**

(52) **U.S. Cl.** ..... **D26/84**

(58) **Field of Search** ..... D26/72-92; 362/147,  
362/404-408, 432

(56) **References Cited**  
**PUBLICATIONS**

Home Lighting and Accessories, Oct. 1997, p. 95, pendant lamp, bottom, left.\*

Minka Lighting catalog, Aug. 1995, pendant lamp, # 932.\*

Kichler Lighting catalog, dated Jan. 1999, p. S-301, printed U.S.A.

\* cited by examiner

*Primary Examiner*—Susan J. Lucas

(74) *Attorney, Agent, or Firm*—Watts, Hoffmann, Fisher & Heinke, Co., L.P.A.

(57) **CLAIM**

I claim the ornamental design for a lighting fixture, as shown and described.

**DESCRIPTION**

FIG. 1 is a perspective view of the lighting fixture showing my new design;

FIG. 2 is a front elevational view of the lighting fixture;

FIG. 3 is a rear elevational view of the lighting fixture;

FIG. 4 is a right elevational view of the lighting fixture;

FIG. 5 is a left side elevational view of the lighting fixture;

FIG. 6 is a top plan view of the lighting fixture;

FIG. 7 is a bottom plan view of the lighting fixture;

FIG. 8 is a perspective view of the second embodiment of the lighting fixture showing my new design;

FIG. 9 is a front elevational view of the lighting fixture;

FIG. 10 is a rear elevational view of the lighting fixture;

FIG. 11 is a right side elevational view of the lighting fixture;

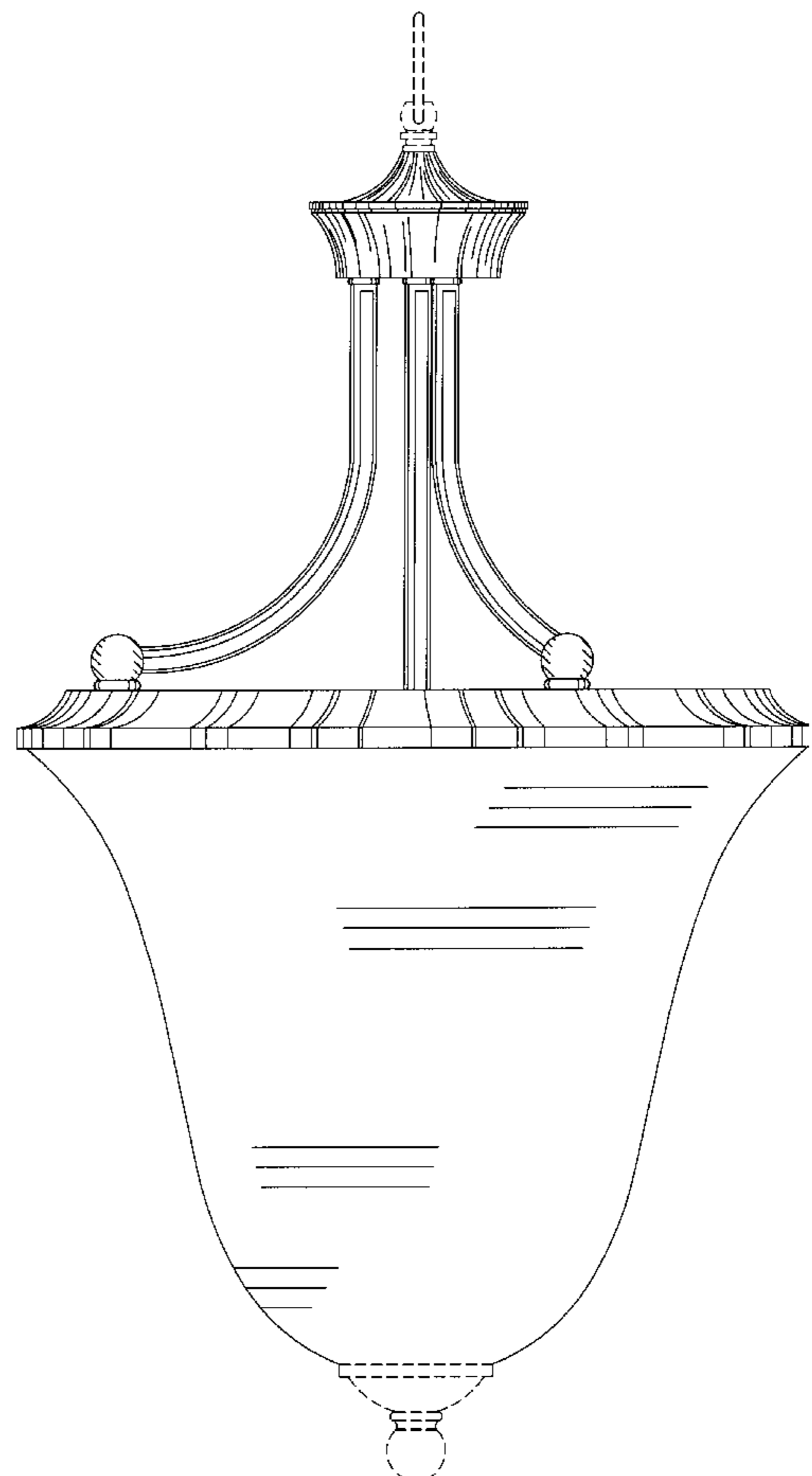
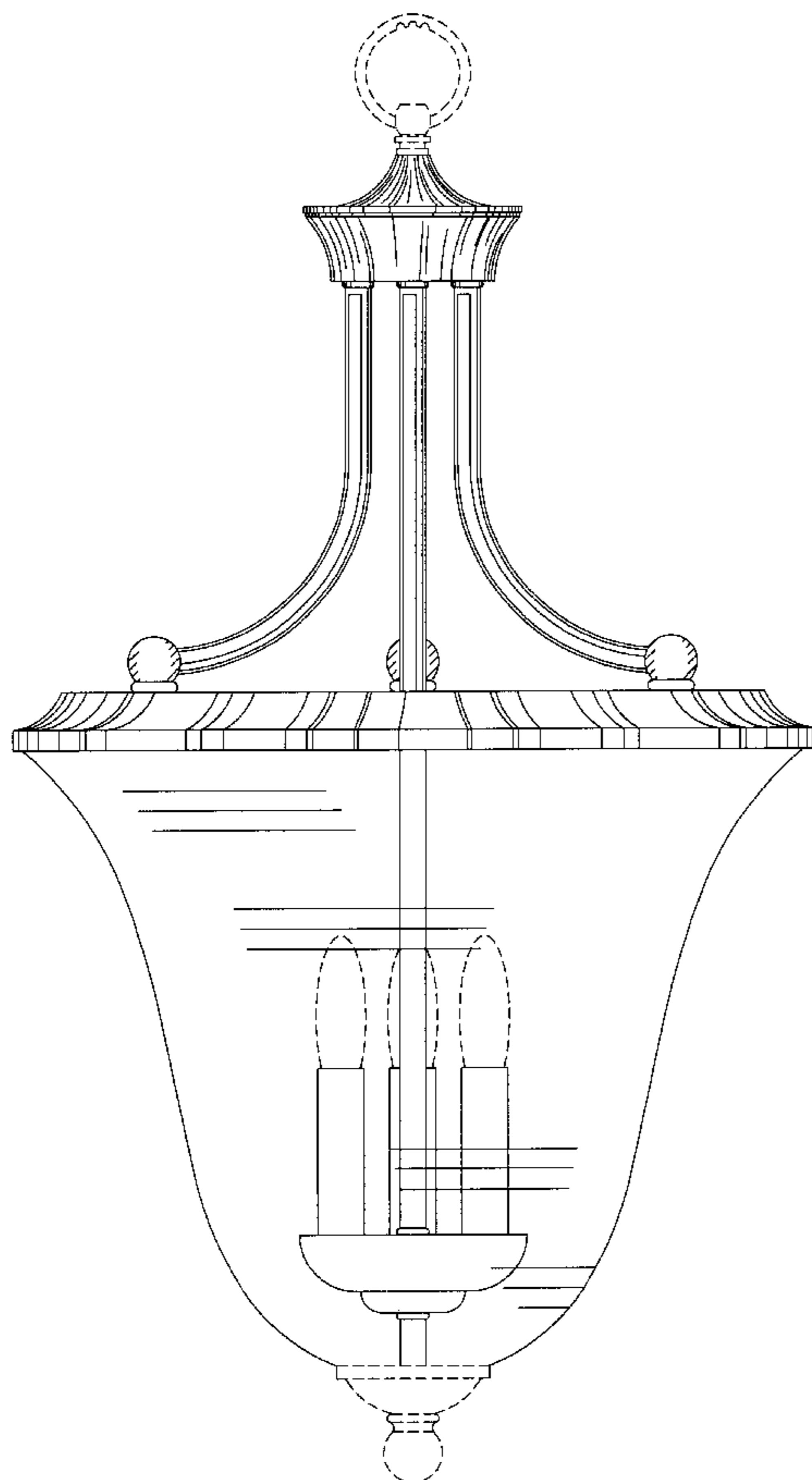
FIG. 12 is a left side elevational view of the lighting fixture;

FIG. 13 is a top plan view of the lighting fixture; and,

FIG. 14 is a bottom plan view of the lighting fixture.

The broken lines shown are for illustrative purposes only and form no part of the claimed design.

**1 Claim, 14 Drawing Sheets**



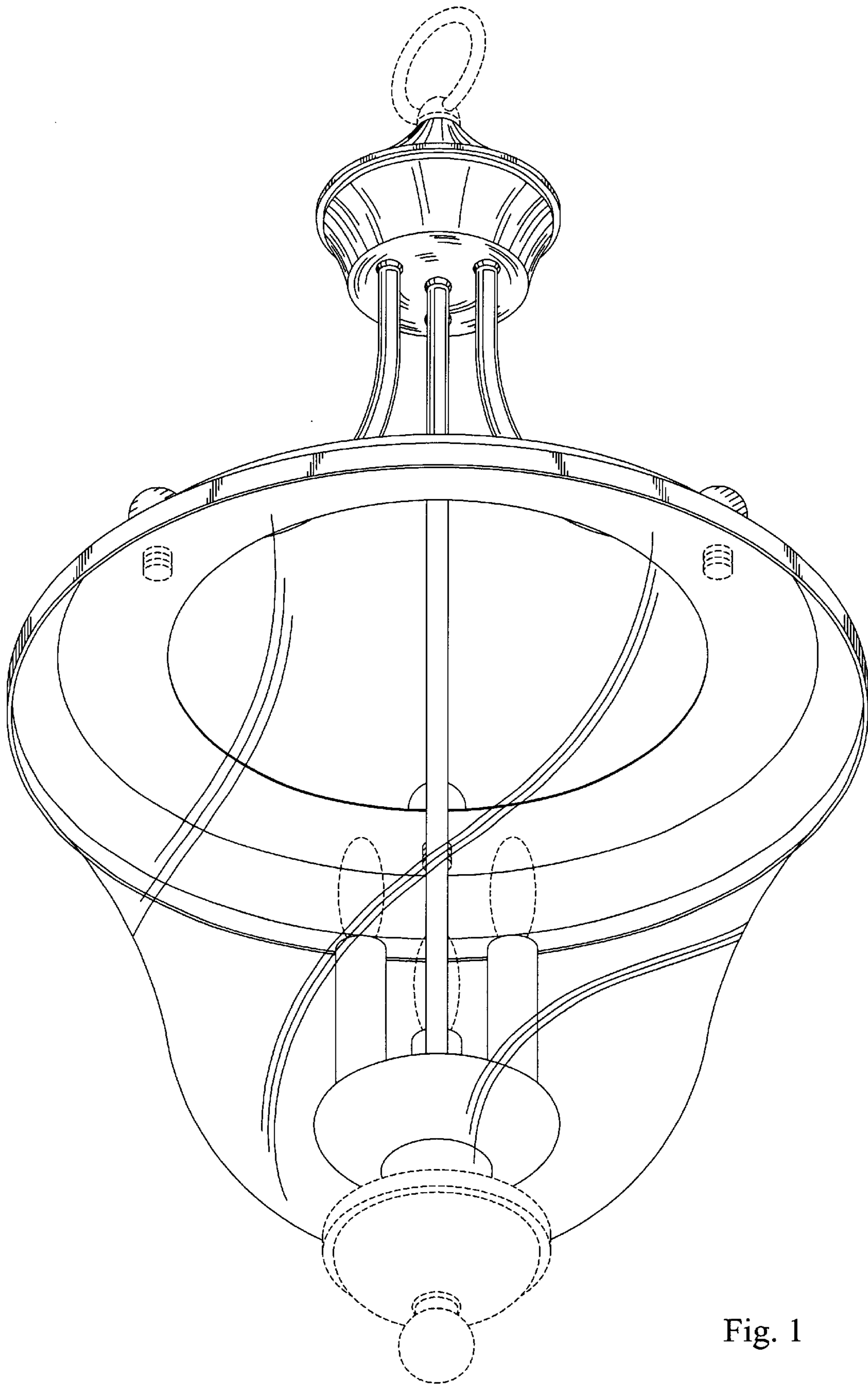


Fig. 1

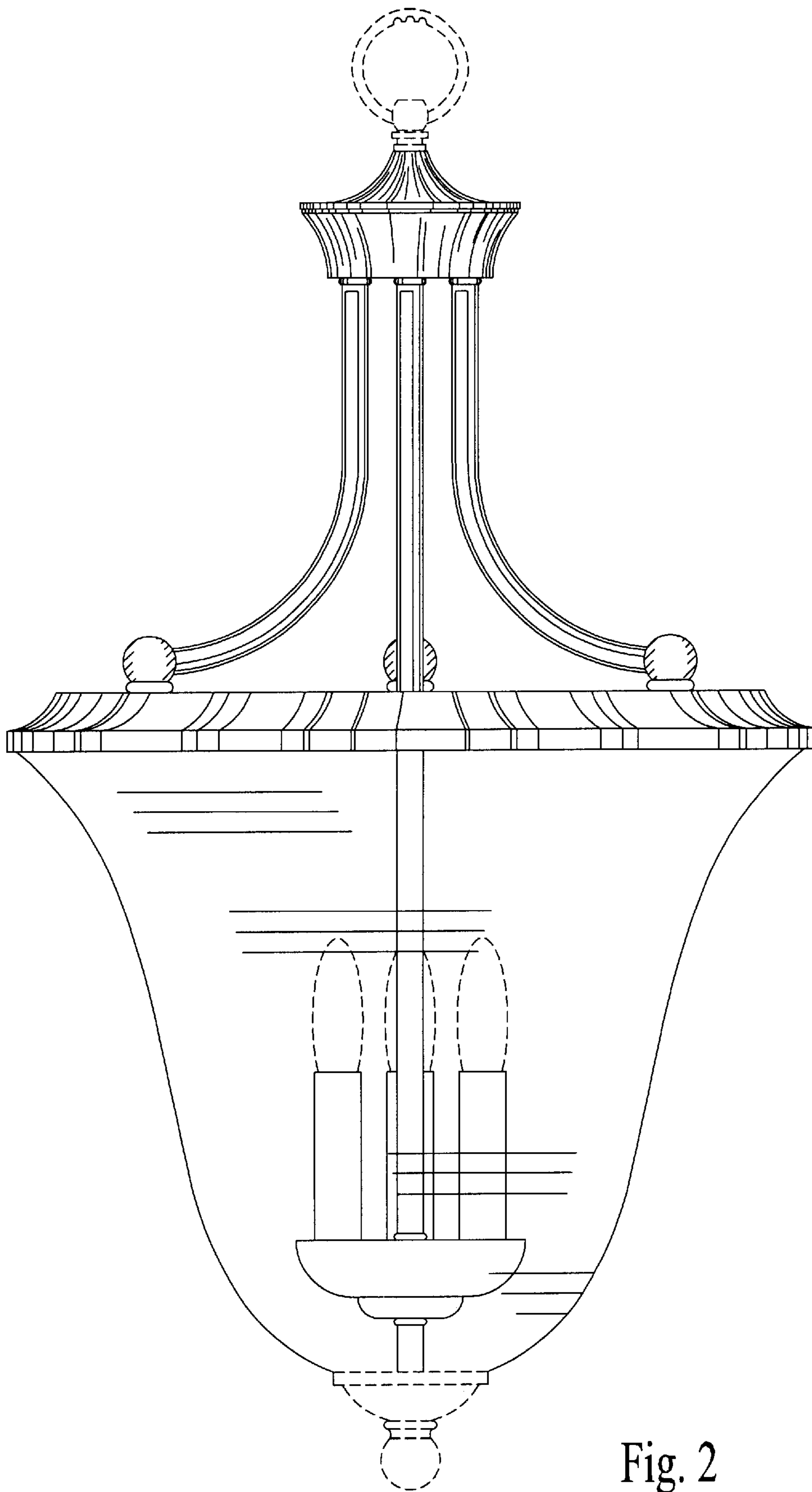


Fig. 2

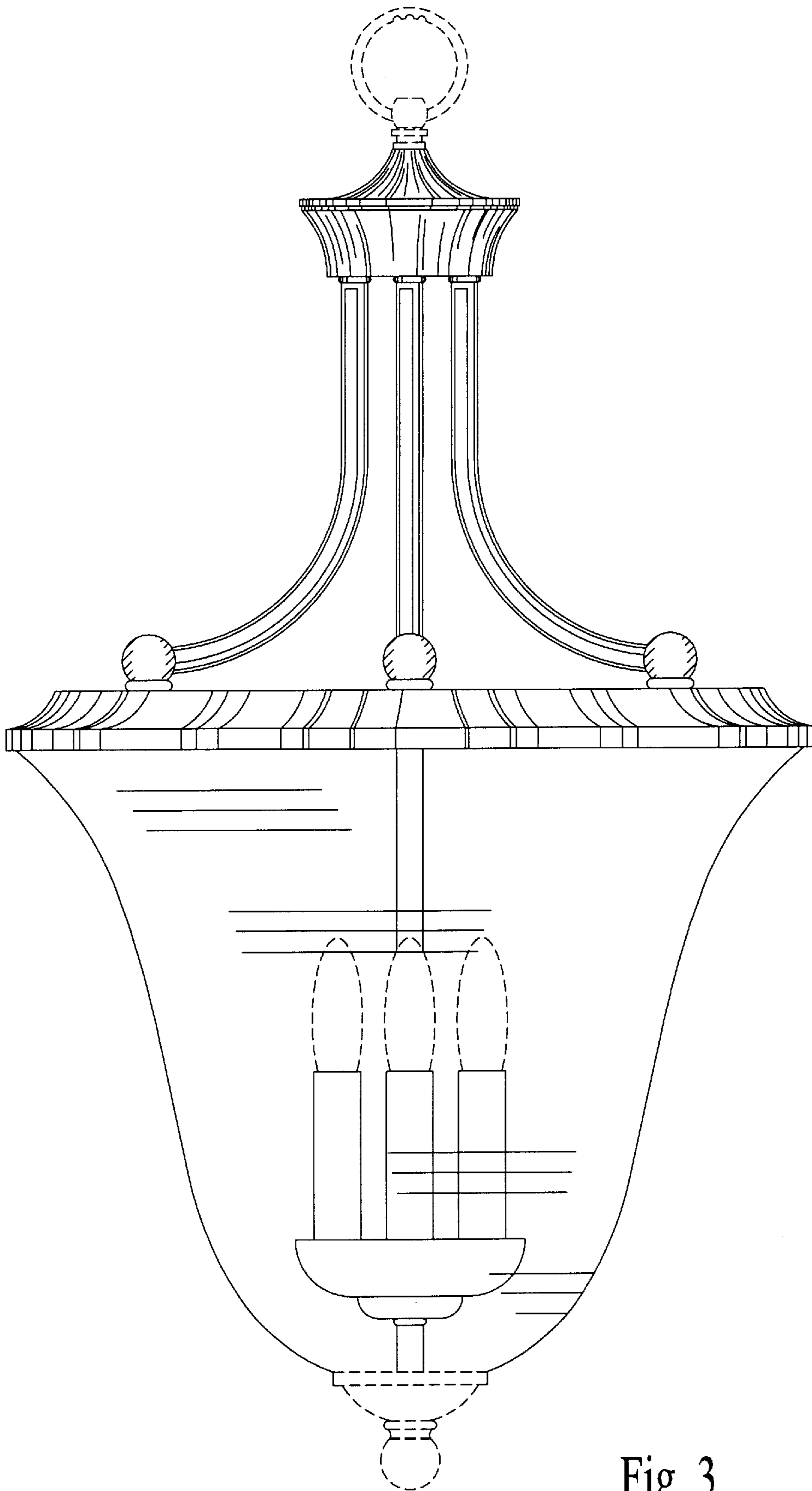


Fig. 3

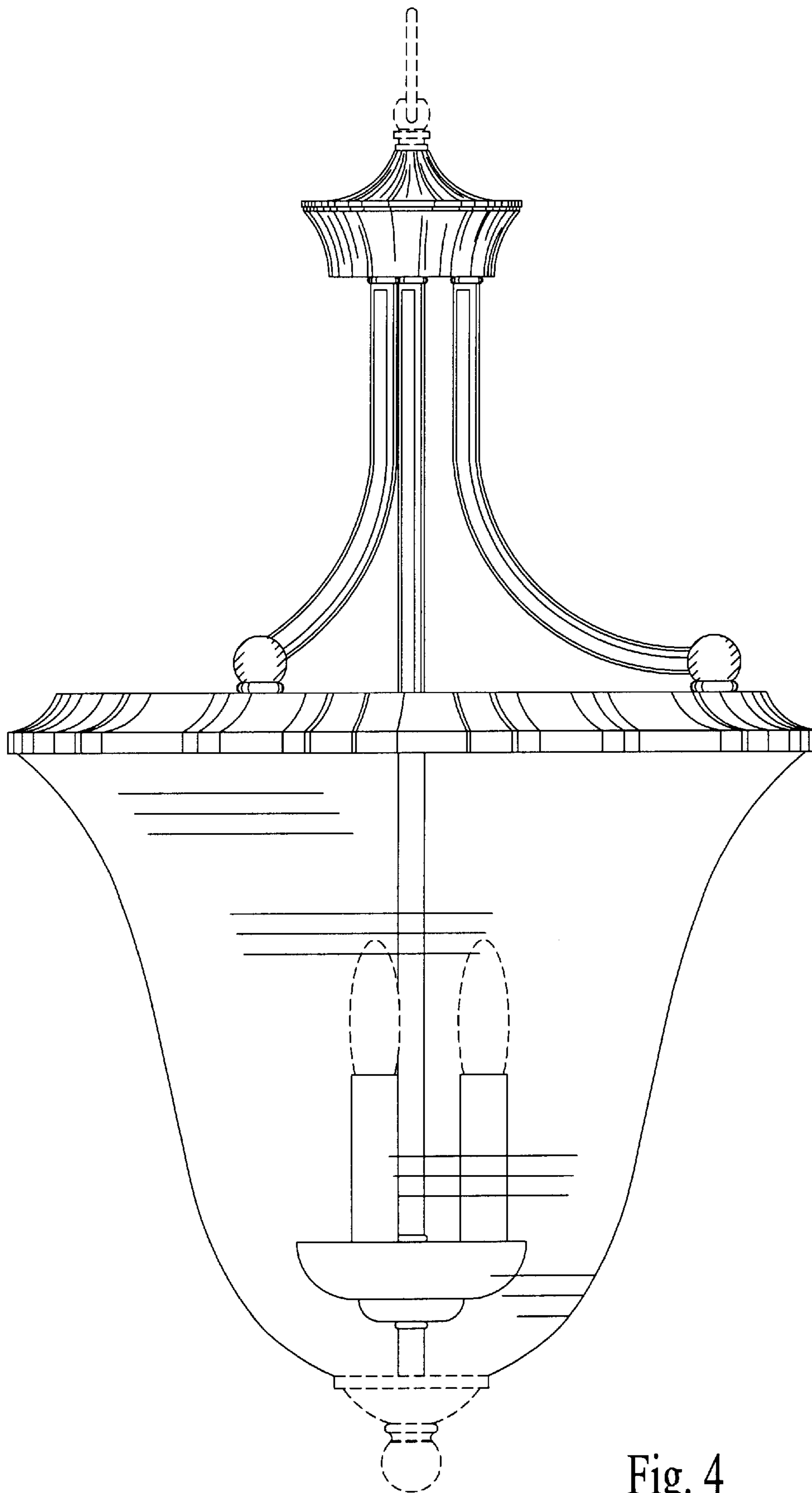


Fig. 4

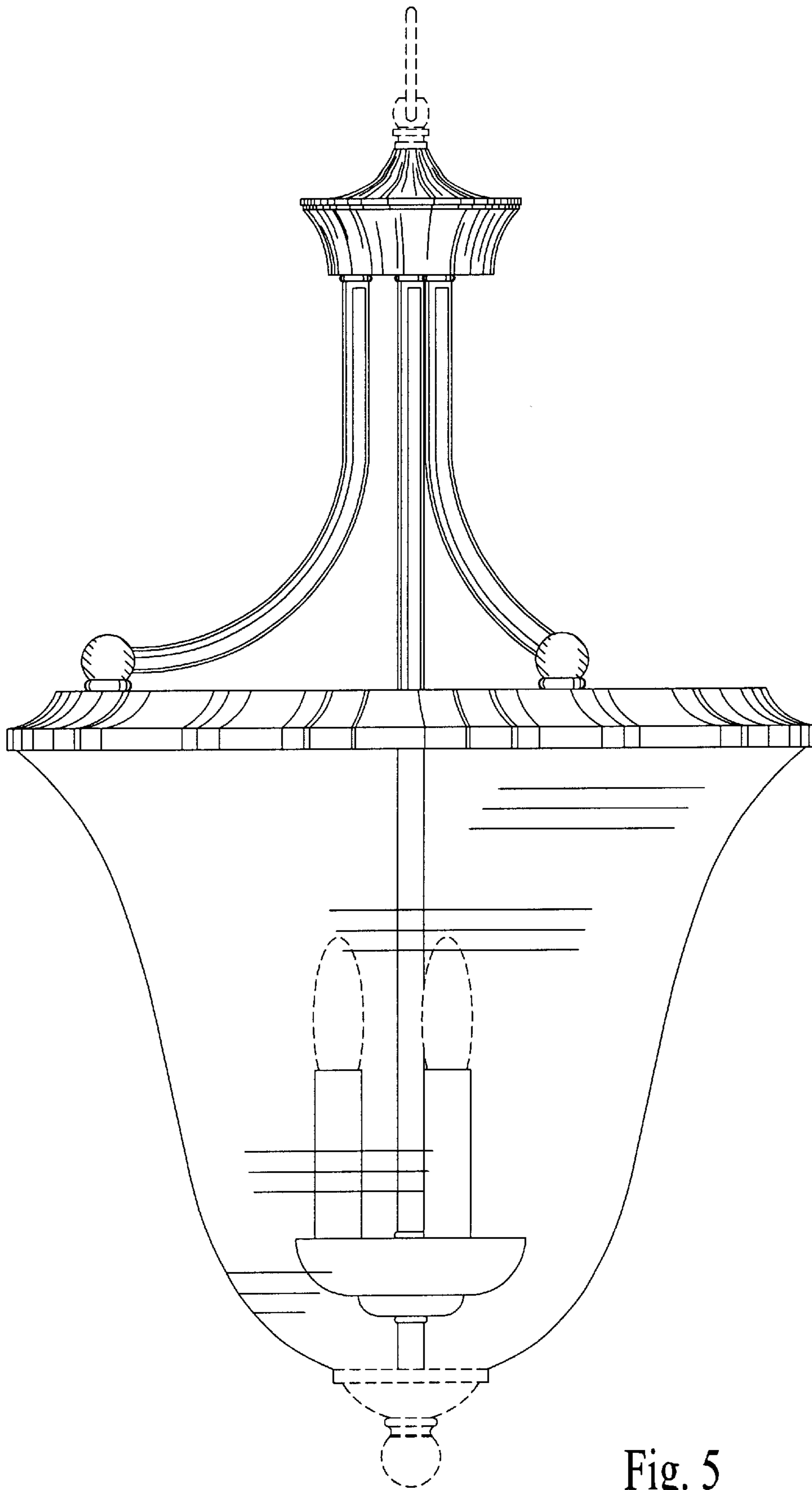


Fig. 5

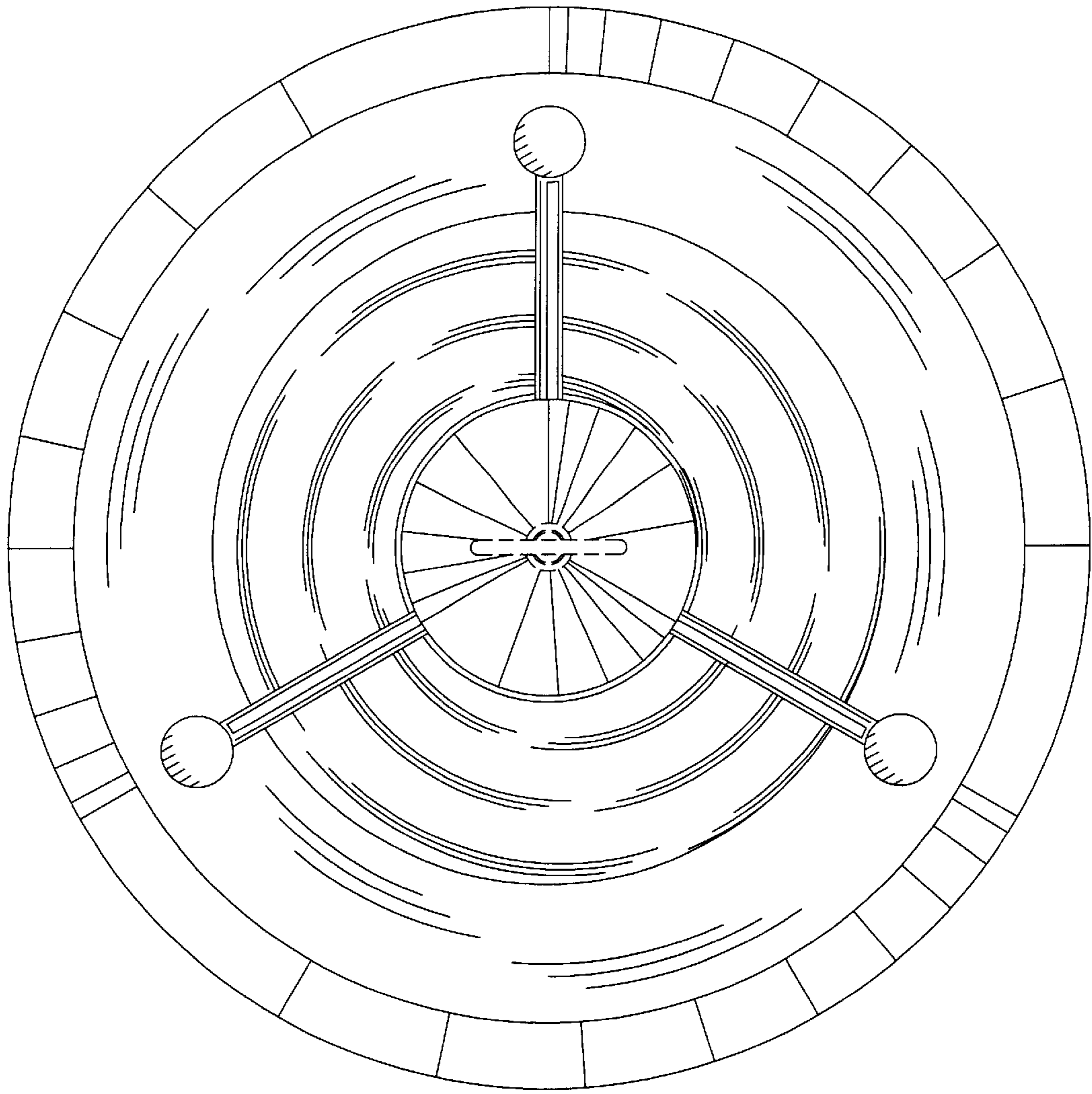


Fig. 6

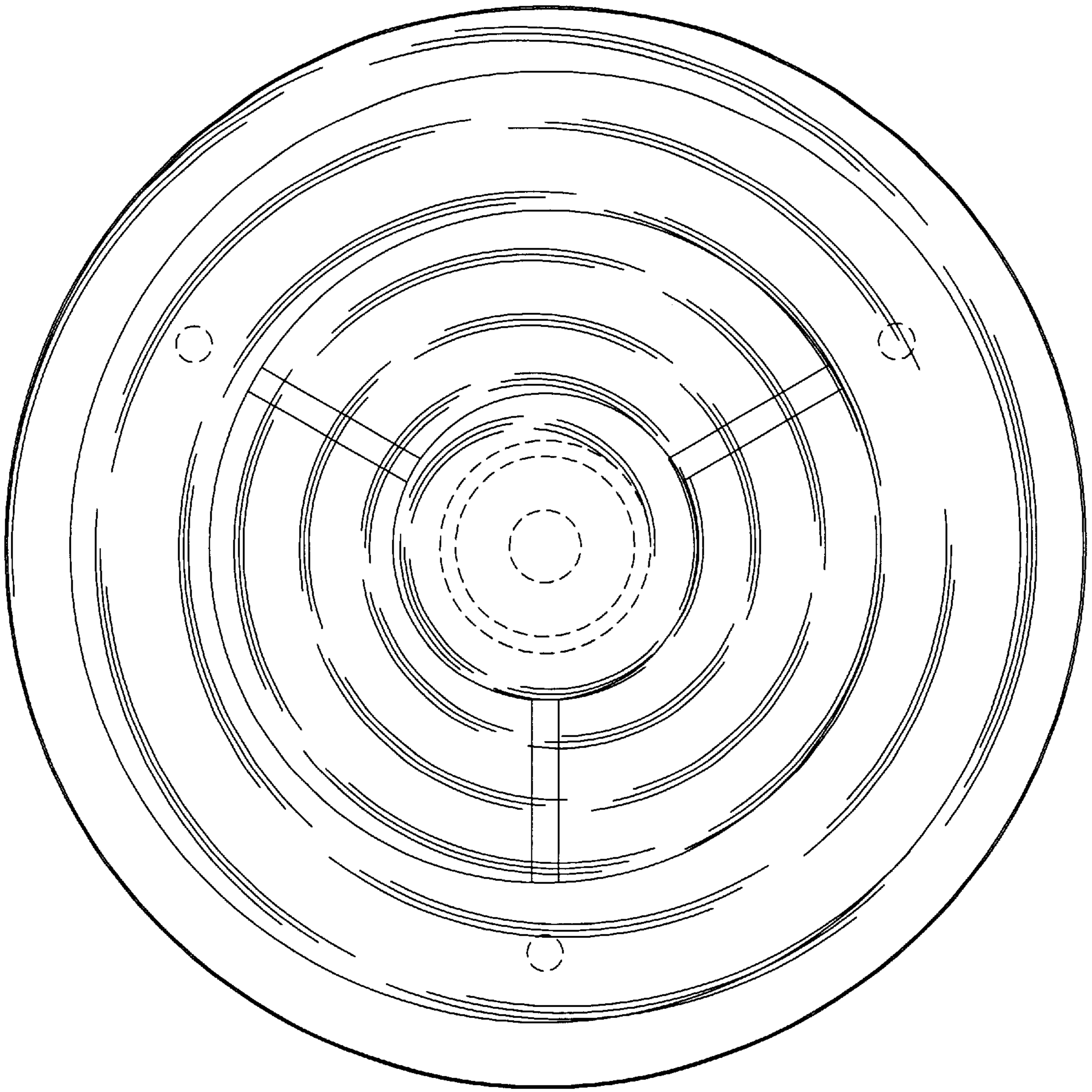


Fig. 7



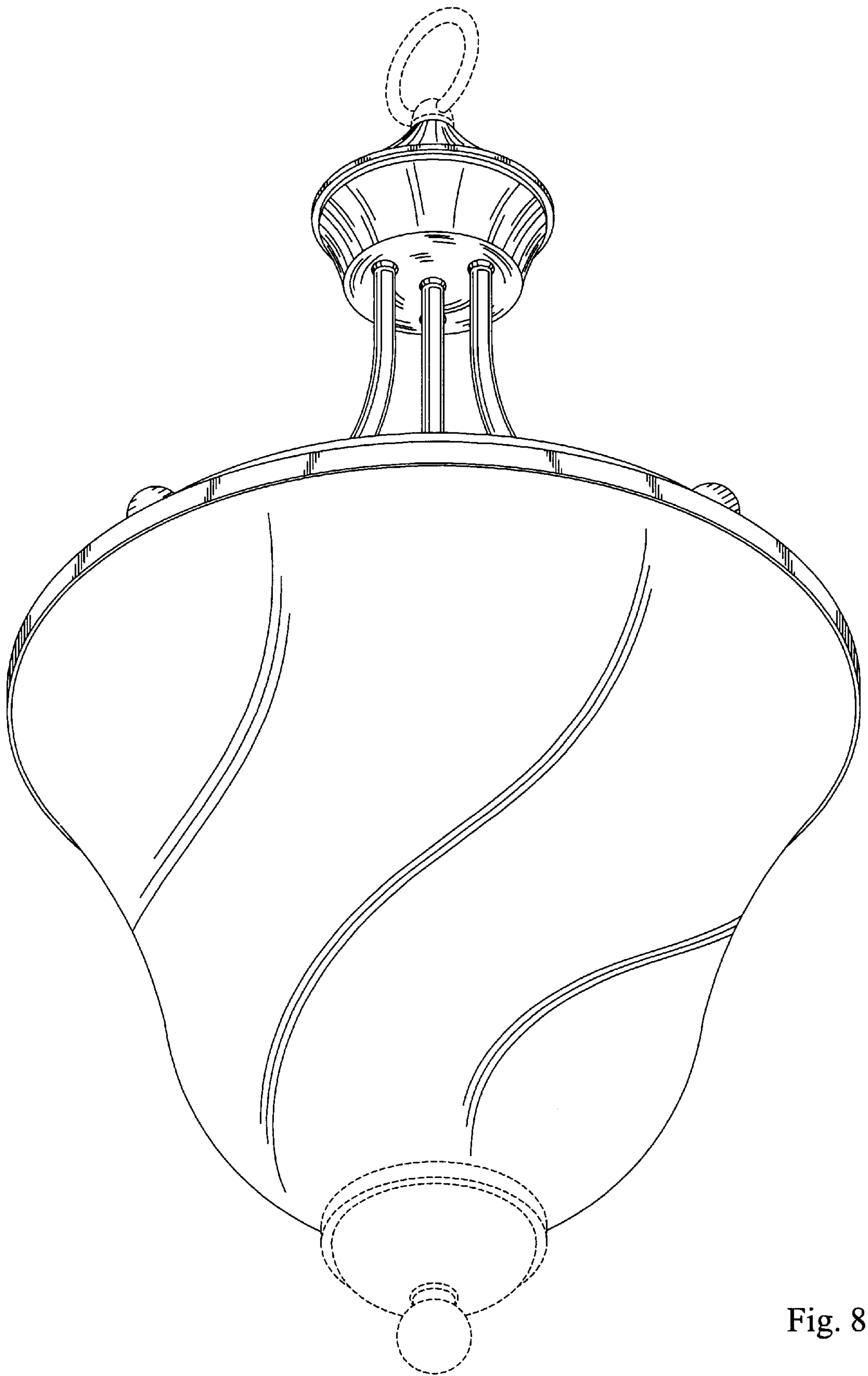


Fig. 8

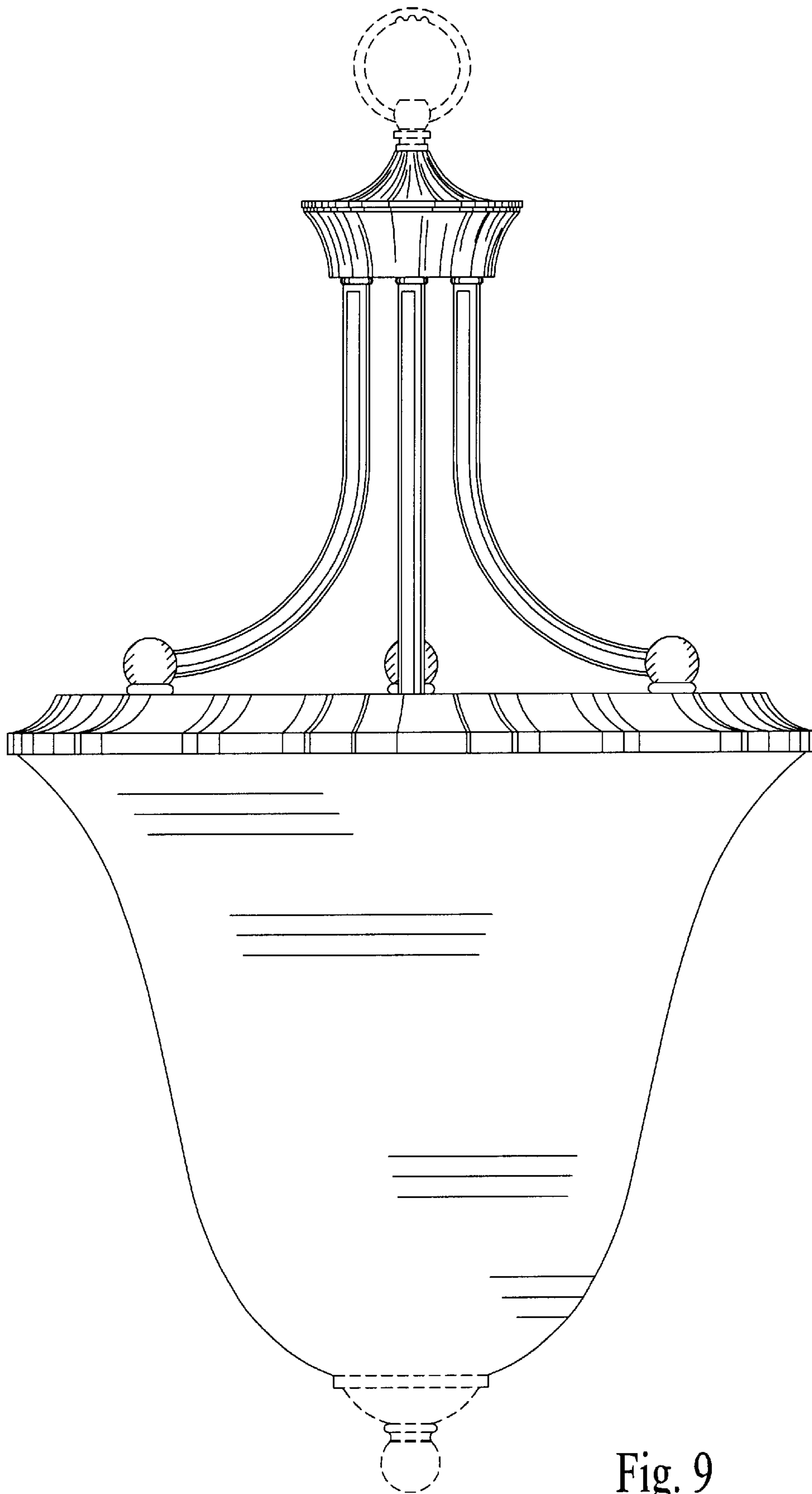


Fig. 9

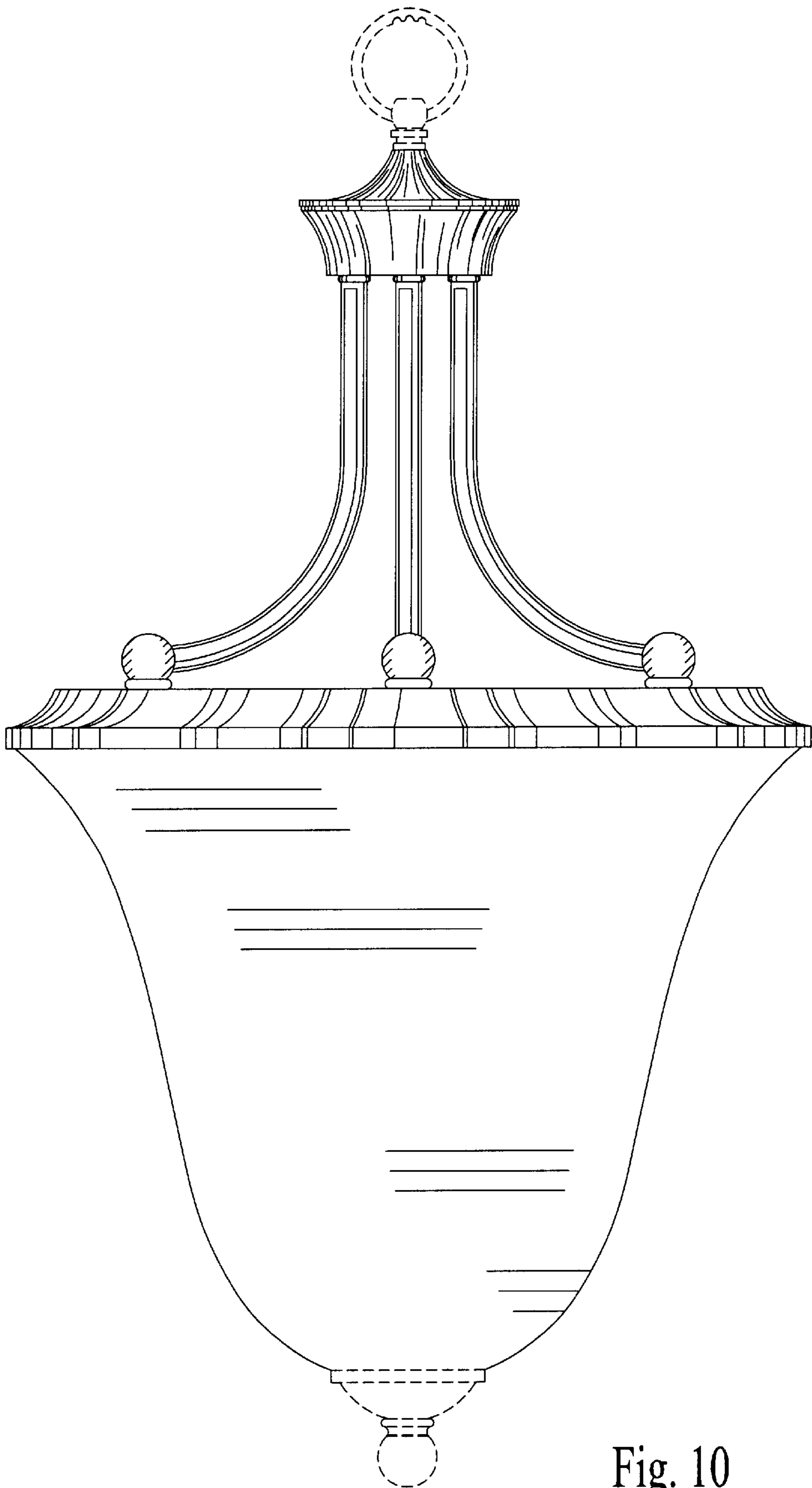


Fig. 10

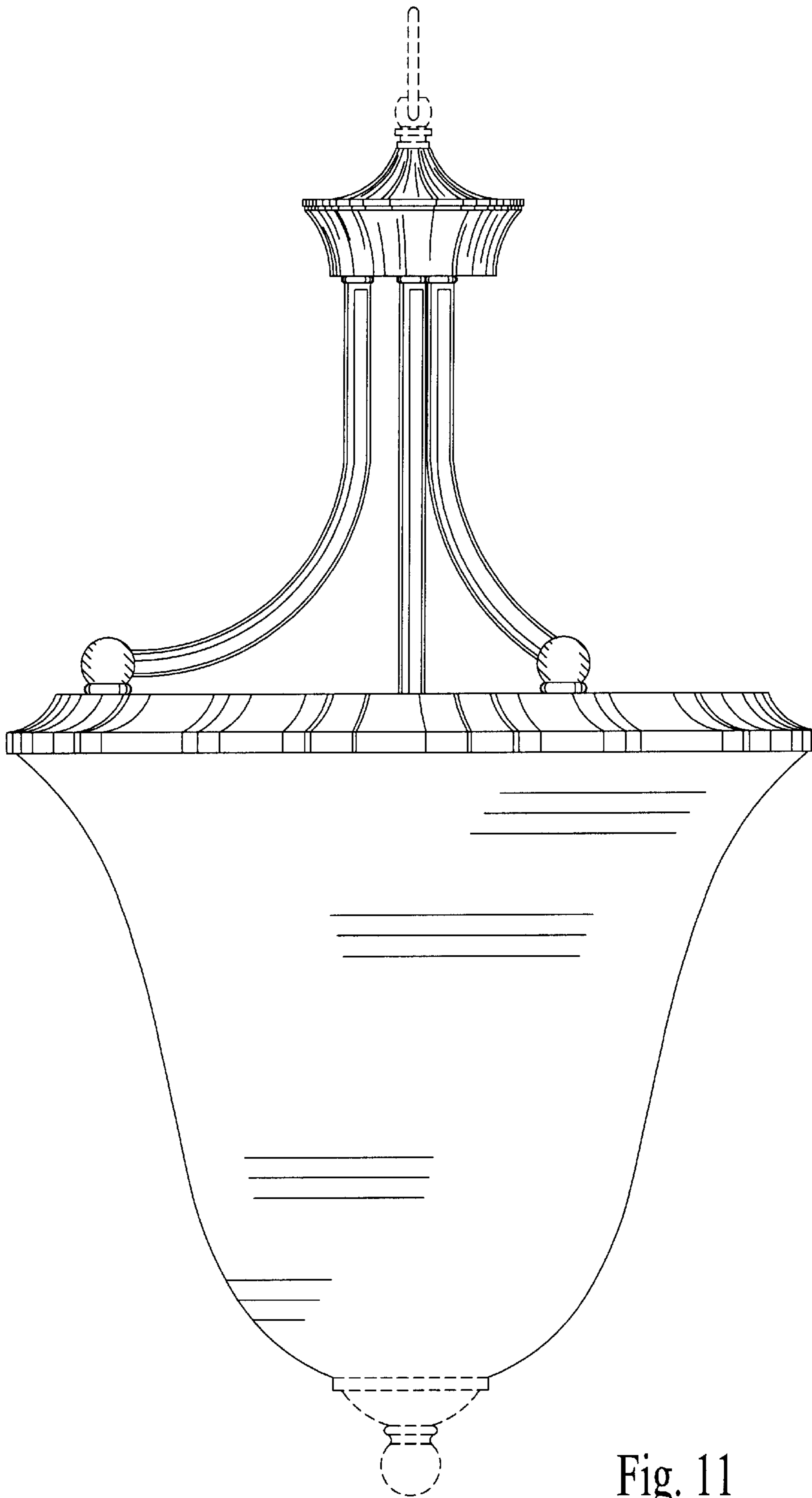


Fig. 11

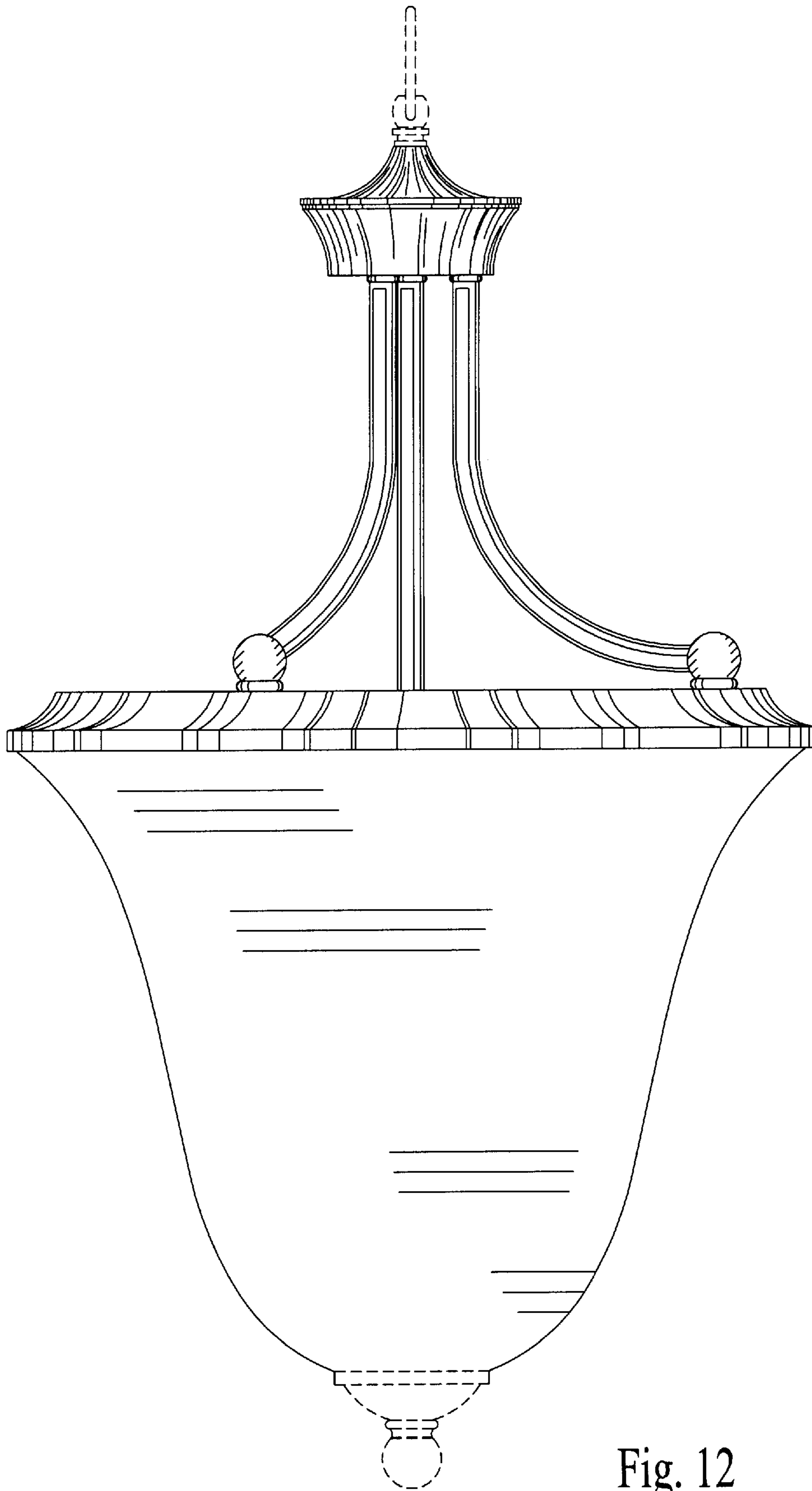


Fig. 12

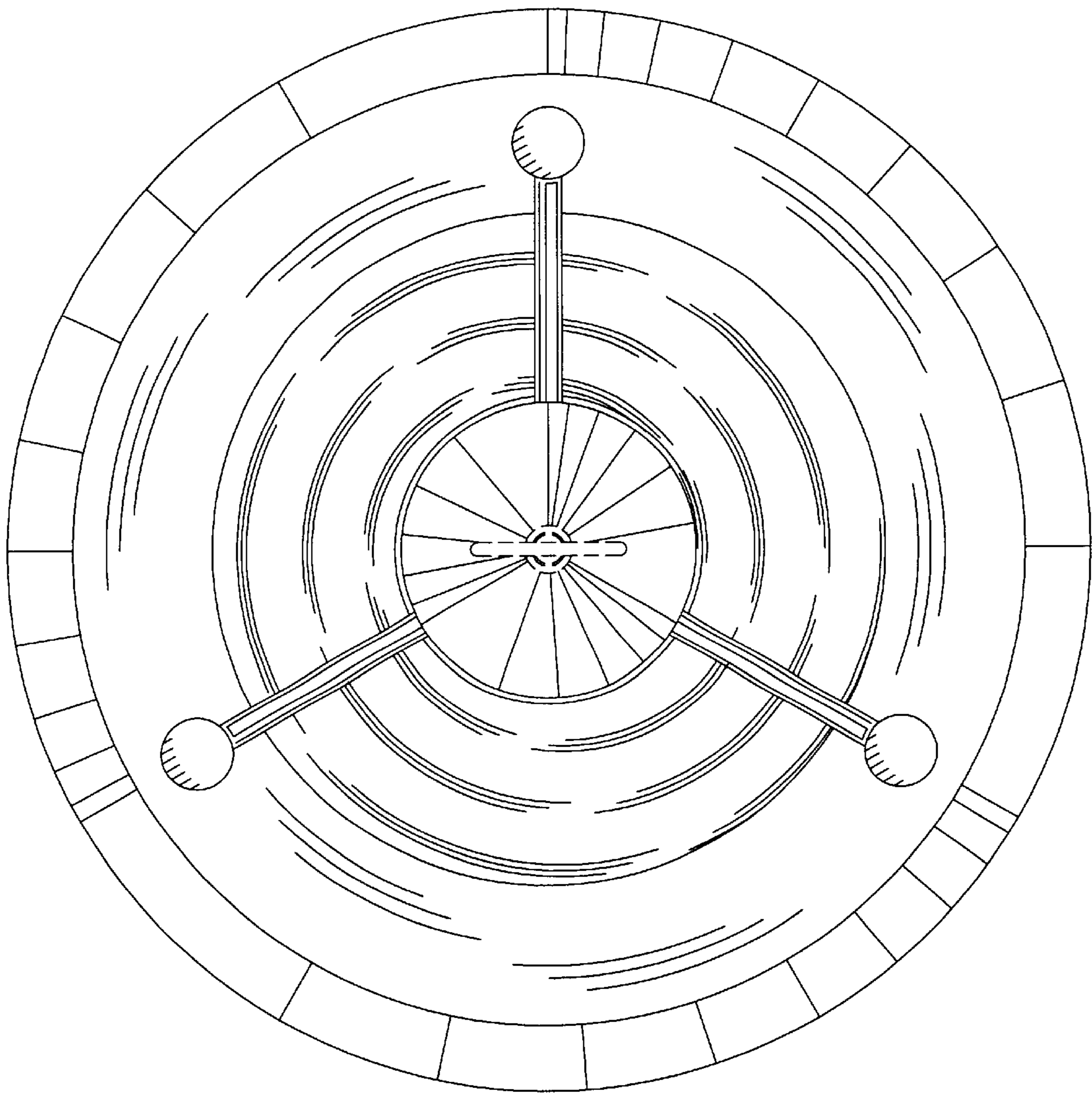


Fig. 13

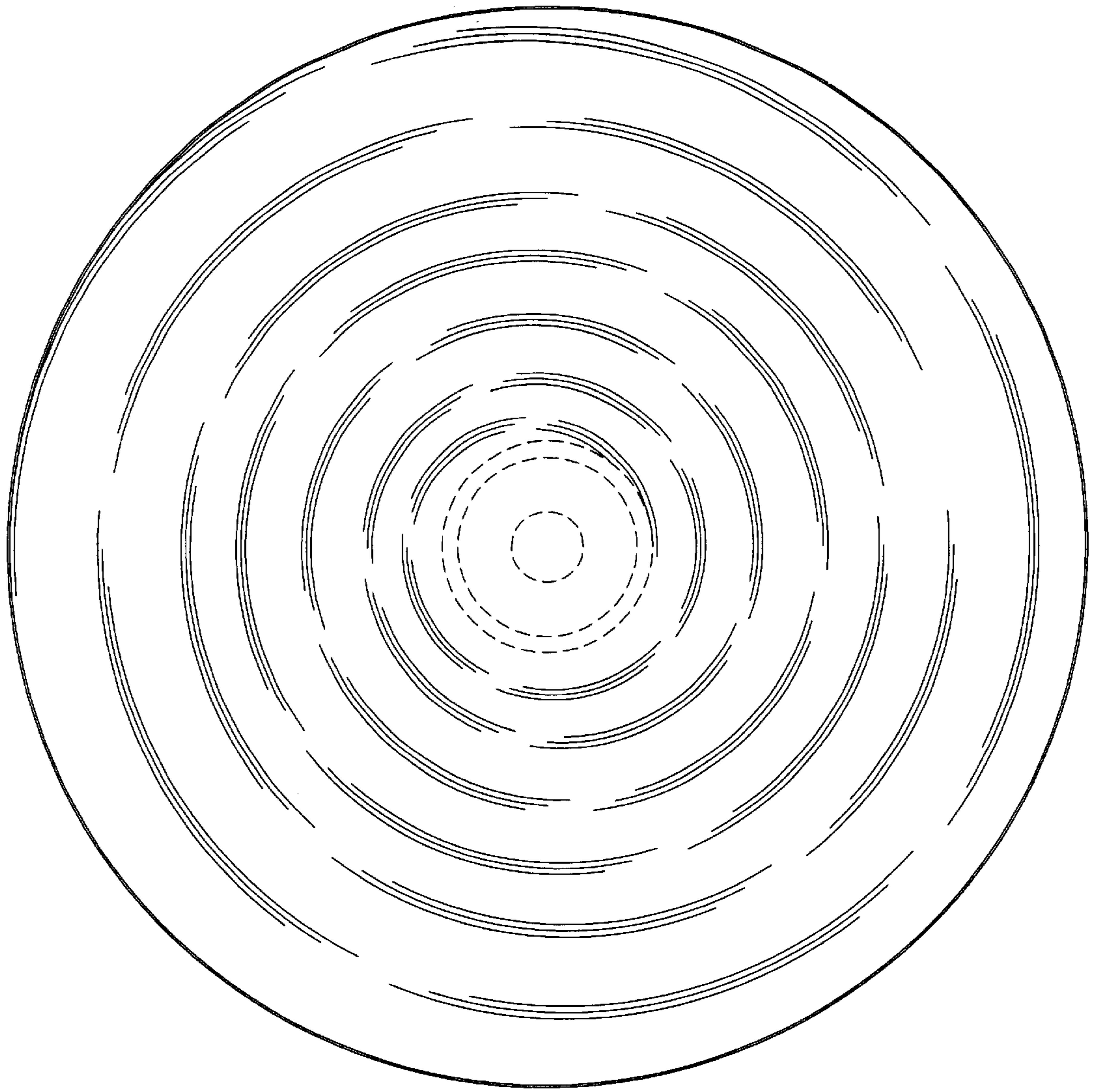


Fig. 14