



US00D445524S

(12) **United States Design Patent**  
**Chen**

(10) **Patent No.:** **US D445,524 S**

(45) **Date of Patent:** **\*\* Jul. 24, 2001**

(54) **GARDEN LAMP WITH PUMPKIN SHAPED LANTERN**

*Primary Examiner*—Susan J. Lucas  
(74) *Attorney, Agent, or Firm*—Jenkins & Gilchrist, A Professional Corporation

(75) **Inventor:** **Chi-Gon Chen**, Guang Zhou (CH)

(57) **CLAIM**

(73) **Assignee:** **International Development Corporation**, Southlake, TX (US)

The ornamental design for the garden lamp with pumpkin shaped lantern, as shown and described.

(\*\*) **Term:** **14 Years**

**DESCRIPTION**

(21) **Appl. No.:** **29/131,956**

FIG. 1 is a side perspective view of the garden lamp with pumpkin shaped lantern in accordance with my design;

(22) **Filed:** **Oct. 30, 2000**

FIG. 2 is a left side elevational view of the garden lamp with pumpkin shaped lantern in accordance with my design, the right side being substantially identical thereto;

(51) **LOC (7) Cl.** ..... **26-05**

(52) **U.S. Cl.** ..... **D26/72**

(58) **Field of Search** ..... D26/72-92, 68, D26/67; 362/147, 367, 368, 363, 404-408, 432

FIG. 3 is a front side elevational view of the garden lamp with pumpkin shaped lantern in accordance with my design, the rear being substantially identical thereto;

(56) **References Cited**

**PUBLICATIONS**

FIG. 4 is a top plan view of the garden lamp with pumpkin shaped lantern in accordance with my design; and,

FIG. 5 is a bottom plan view of the garden lamp with pumpkin shaped lantern in accordance with my design.

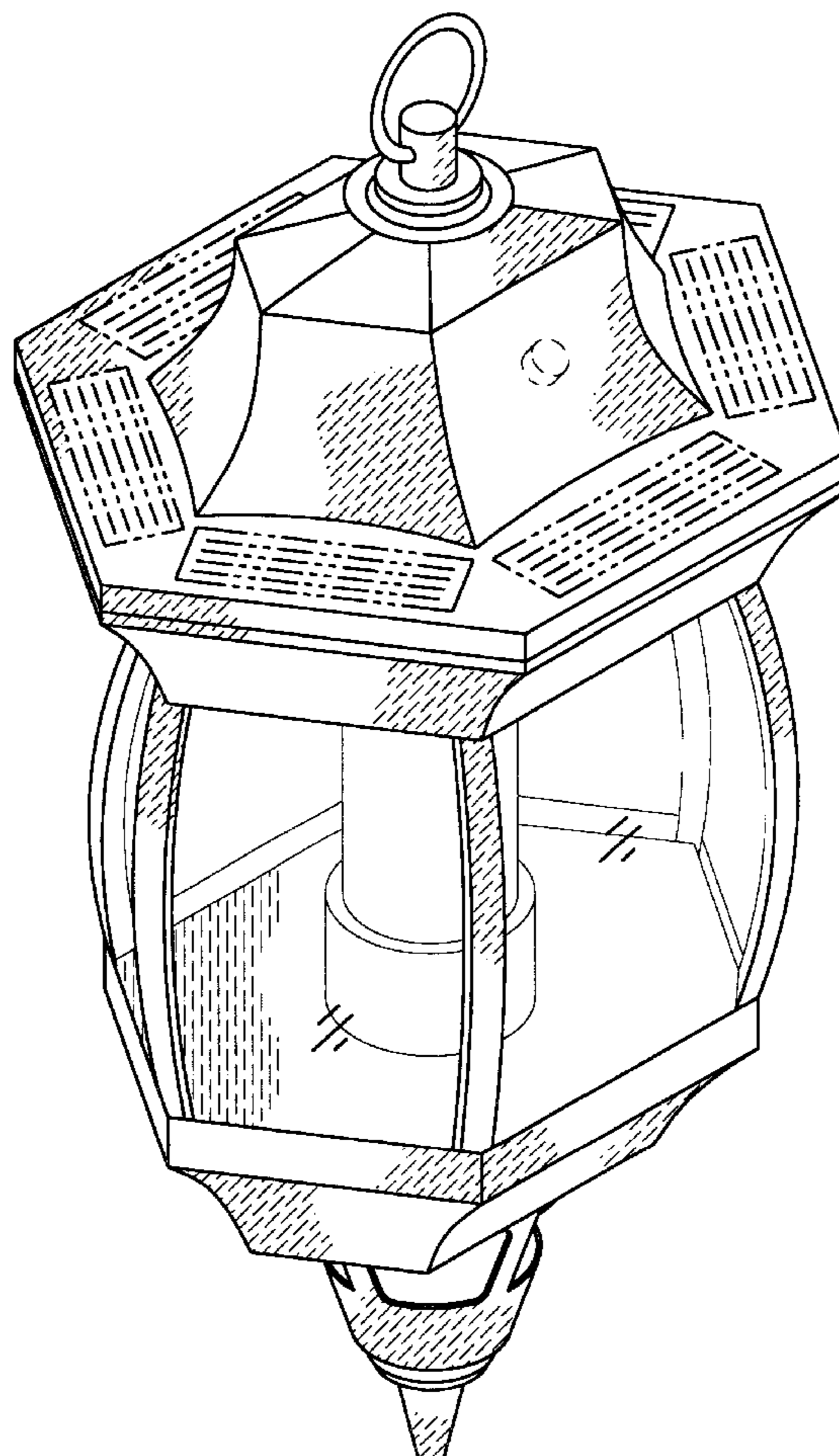
Progress lighting catalog, 1980, p. 123, hanging lantern # P 5568.\*

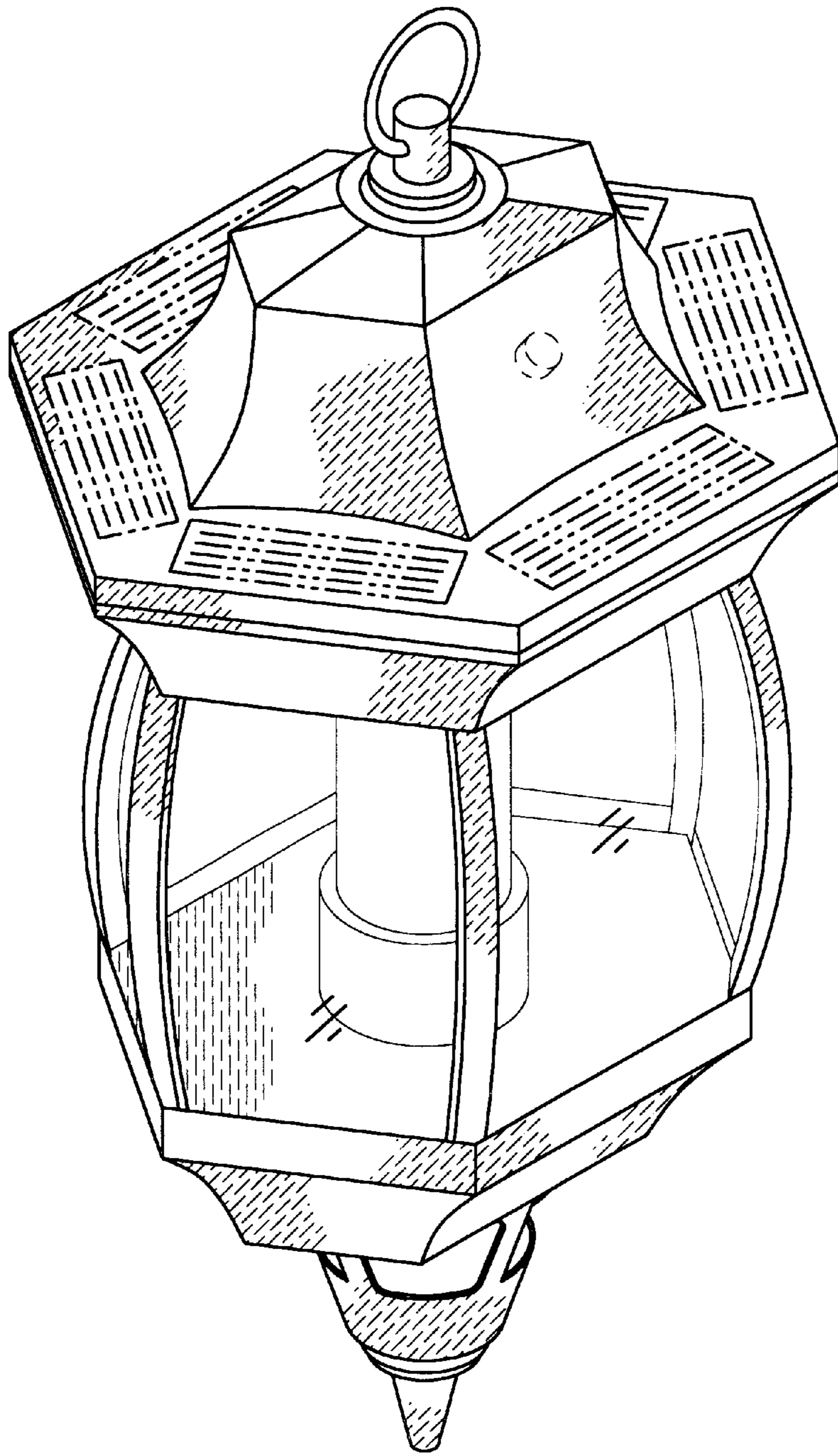
Quoizel lighting catalog, 2990, p. 74, wall lantern.\*

The broken lines show the solar batteries and a photoresistor and are not considered part of the design claimed.

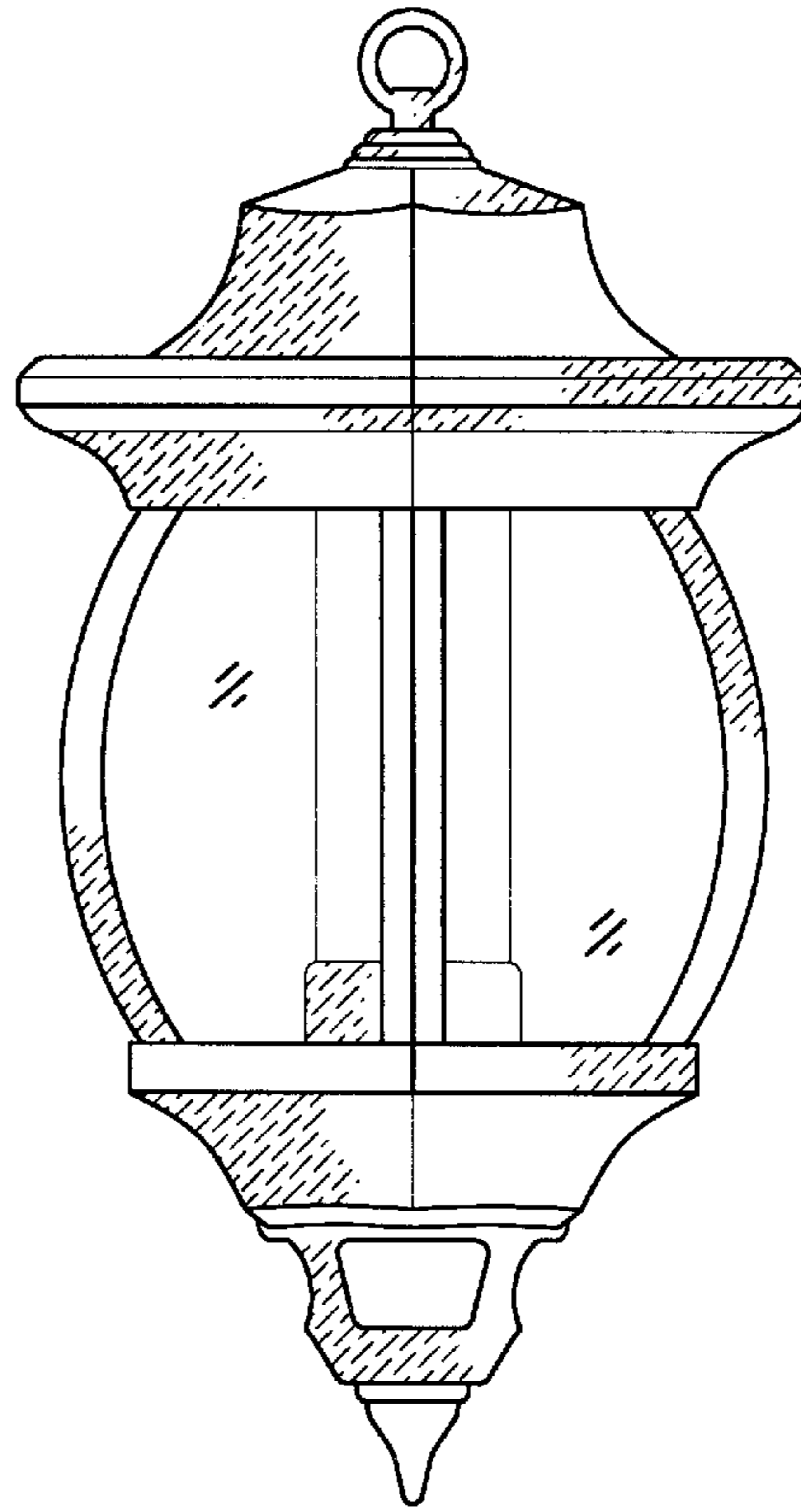
\* cited by examiner

**1 Claim, 3 Drawing Sheets**

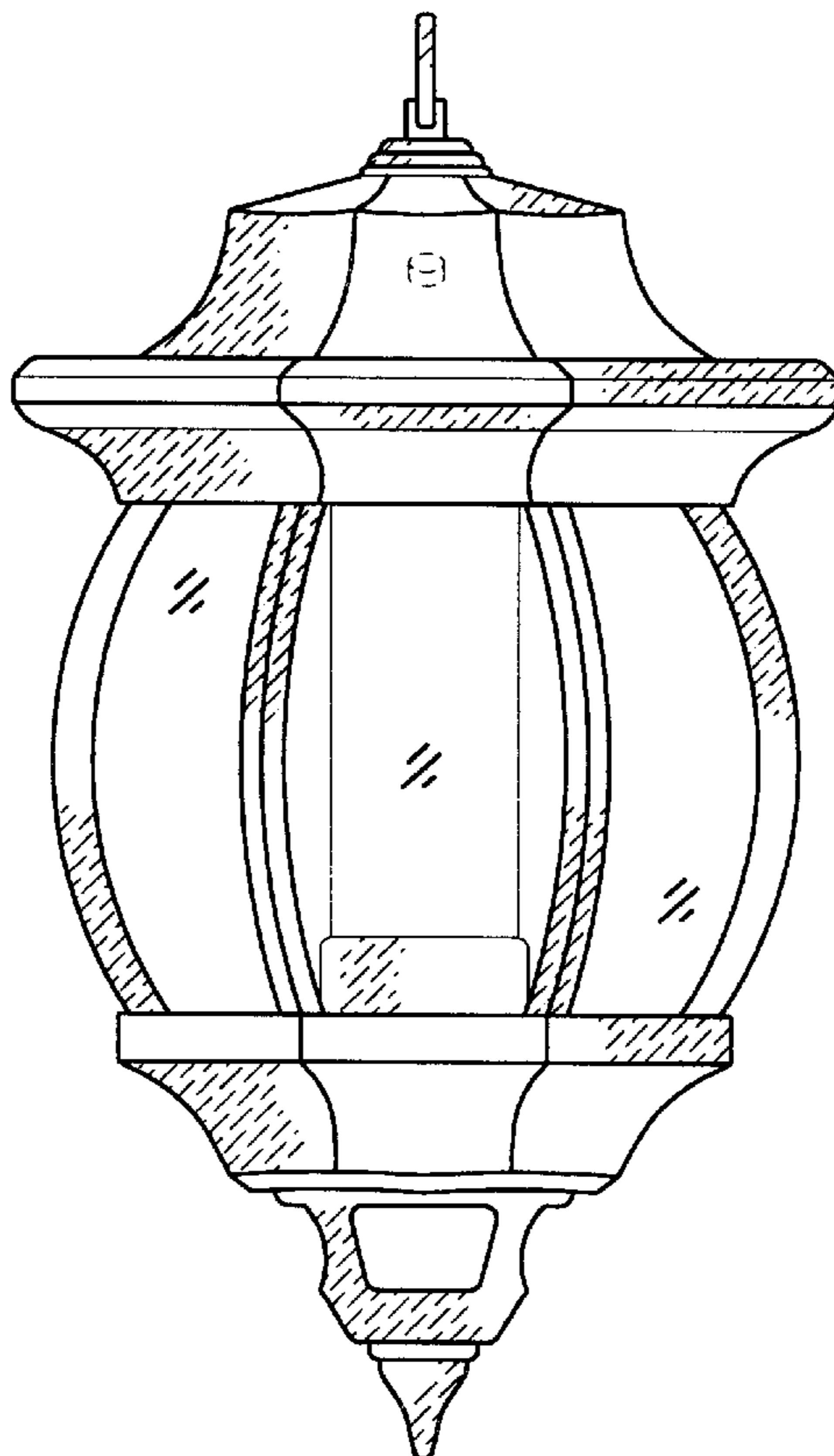




*FIG. 1*



*FIG. 2*



*FIG. 3*

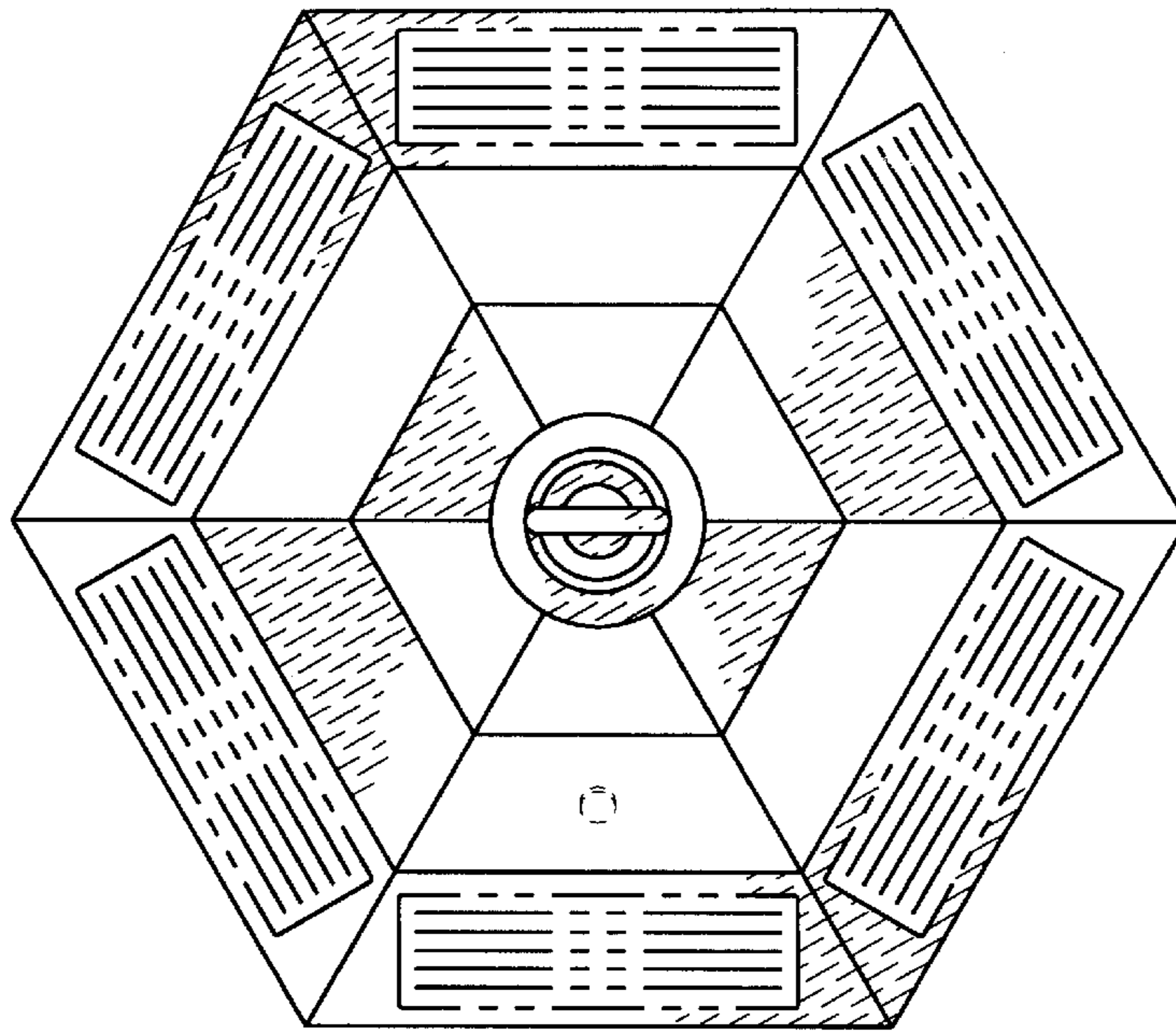


FIG. 4

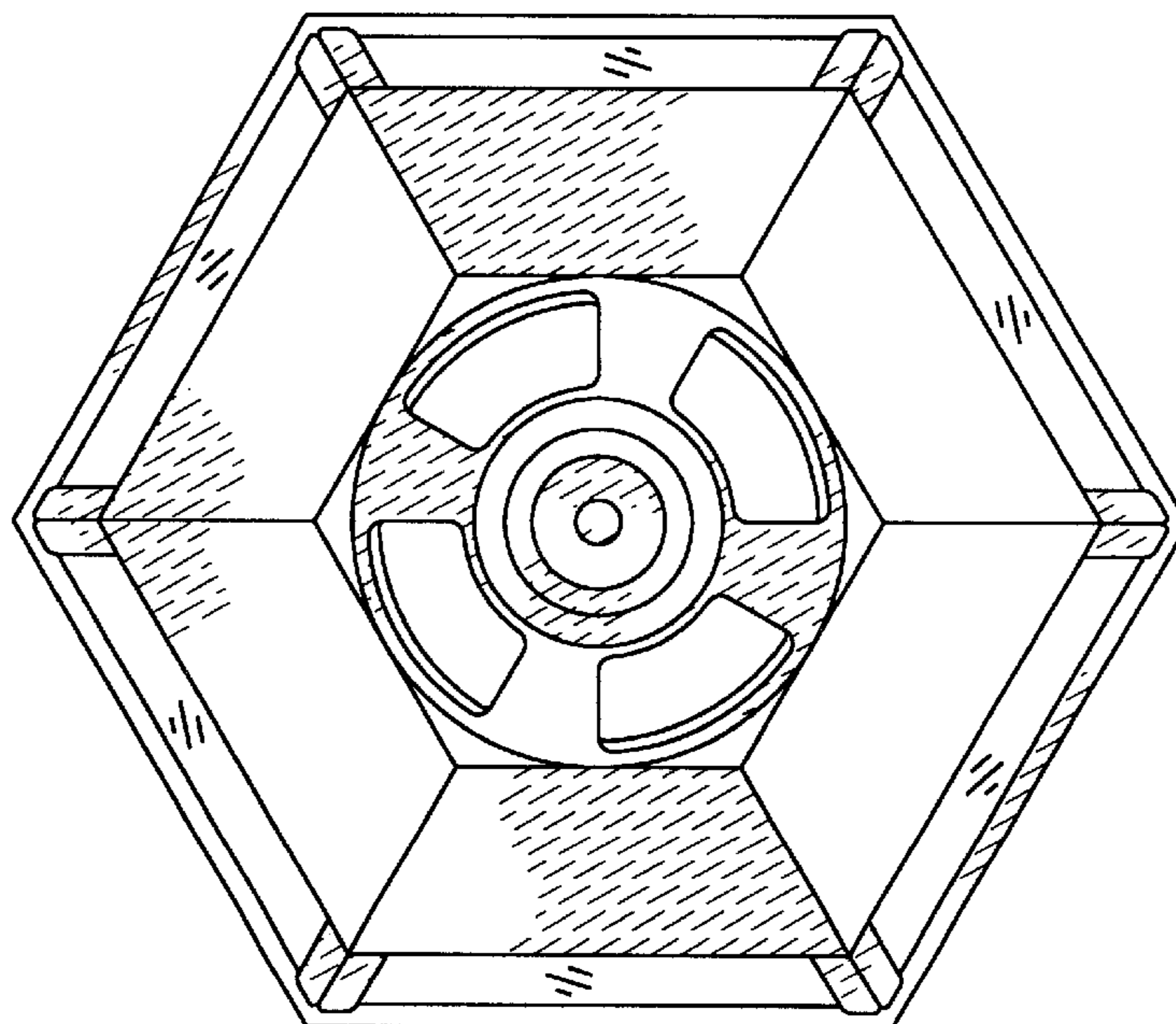


FIG. 5