



US00D445523S

(12) **United States Design Patent**  
**Skradski et al.**

(10) **Patent No.:** **US D445,523 S**

(45) **Date of Patent:** **\*\* Jul. 24, 2001**

(54) **LIGHTING FIXTURE**

(75) Inventors: **Thomas J. Skradski**, Piedmont; **Gary L. Cross**, San Francisco, both of CA (US)

(73) Assignee: **Lumenworks Lighting Products, Inc.**, Oakland, CA (US)

(\*\*) Term: **14 Years**

(21) Appl. No.: **29/115,972**

(22) Filed: **Dec. 22, 1999**

(51) **LOC (7) Cl.** ..... **26-05**

(52) **U.S. Cl.** ..... **D26/68**

(58) **Field of Search** ..... D26/67-71, 104;  
362/153, 153.1, 431

(56) **References Cited**

**U.S. PATENT DOCUMENTS**

- D. 338,080 \* 8/1993 Elazari ..... D26/68
- D. 407,842 \* 4/1999 Landefeld ..... D26/68
- 5,649,760 \* 7/1997 Beadle ..... 362/431 X

**OTHER PUBLICATIONS**

Advertising literature, SATCO, Halogen Plant Lighting System (undated).

Product packaging, Intermatic, Malibu Shrub Up-Lite, Architectural Grade Cast Metal (undated).

\* cited by examiner

*Primary Examiner*—Freda Nunn

*Assistant Examiner*—Linda Brooks

(74) *Attorney, Agent, or Firm*—Donald L. Beeson

(57) **CLAIM**

The ornamental design for a lighting fixture, as shown and described.

**DESCRIPTION**

FIG. 1 is a top perspective view of a lighting fixture showing our new design;

FIG. 2 is a bottom perspective view thereof;

FIG. 3 is a front elevational view thereof;

FIG. 4 is a right side elevational view thereof;

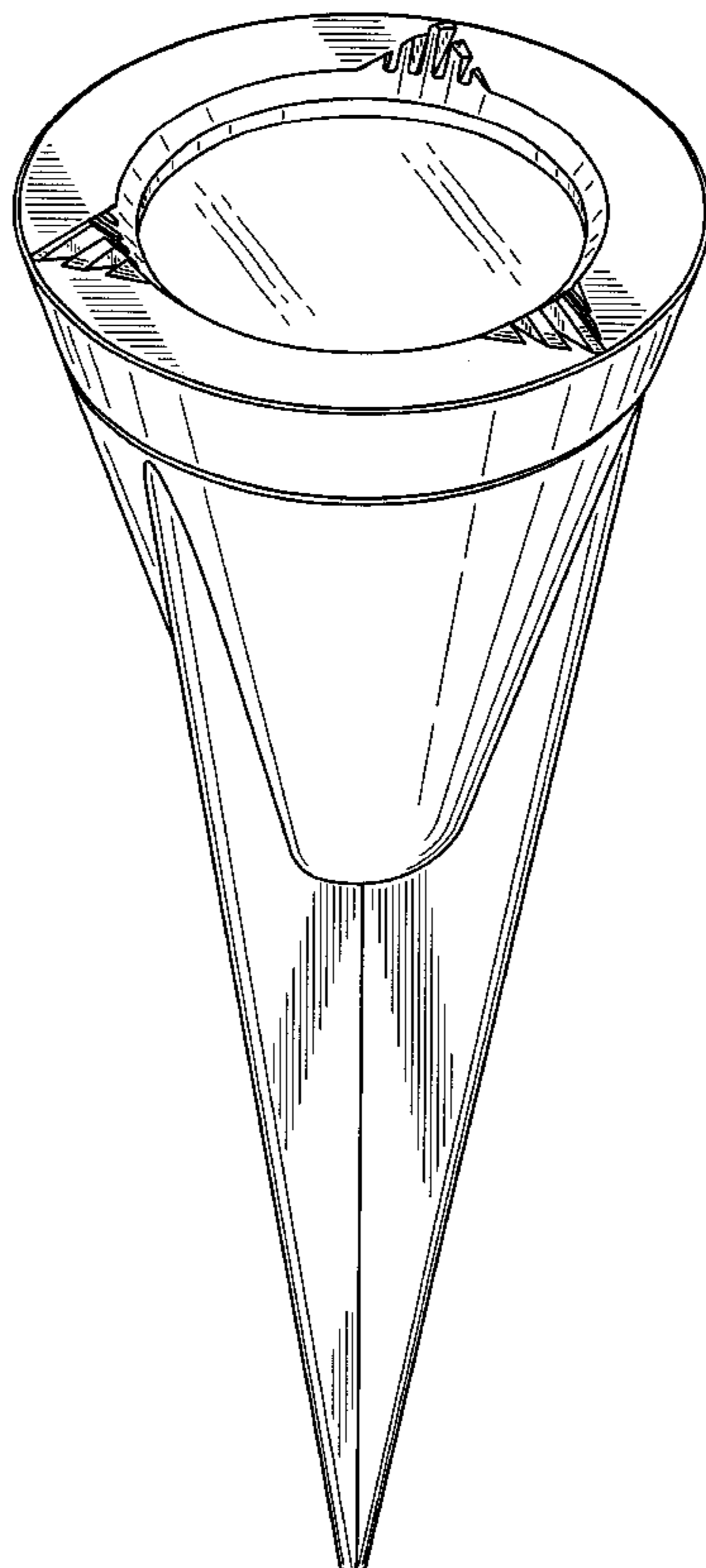
FIG. 5 is a rear elevational view thereof;

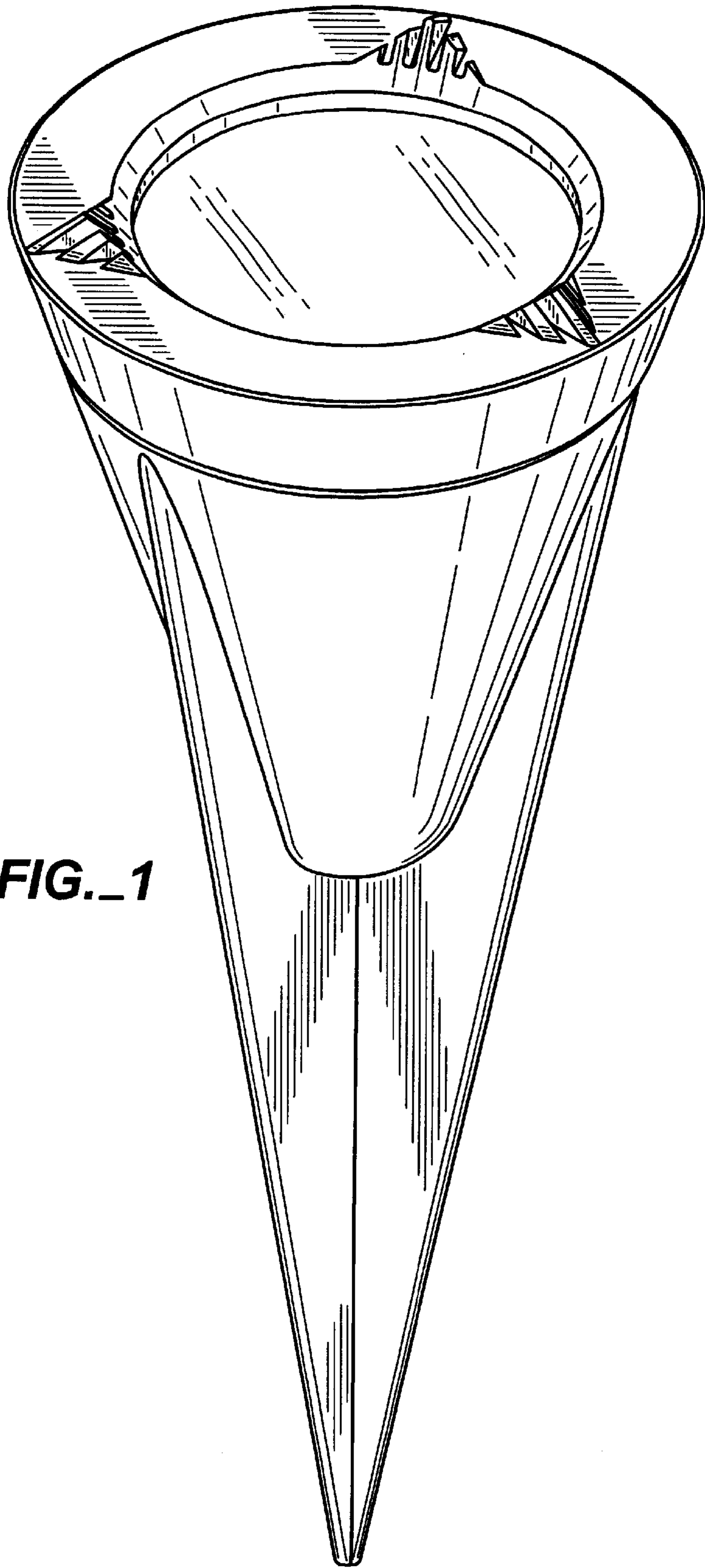
FIG. 6 is a left side elevational view thereof;

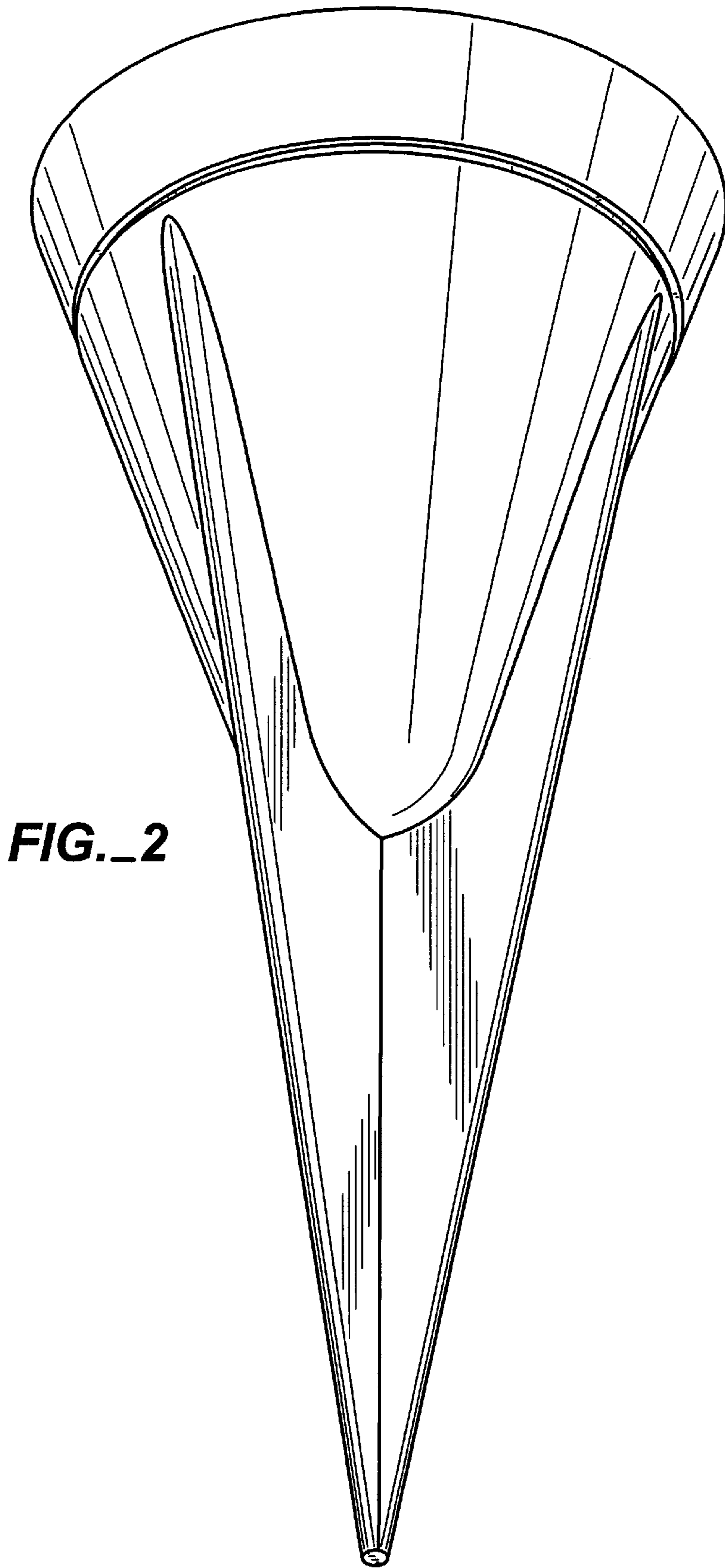
FIG. 7 is a top plan view thereof; and,

FIG. 8 is a bottom plan view thereof.

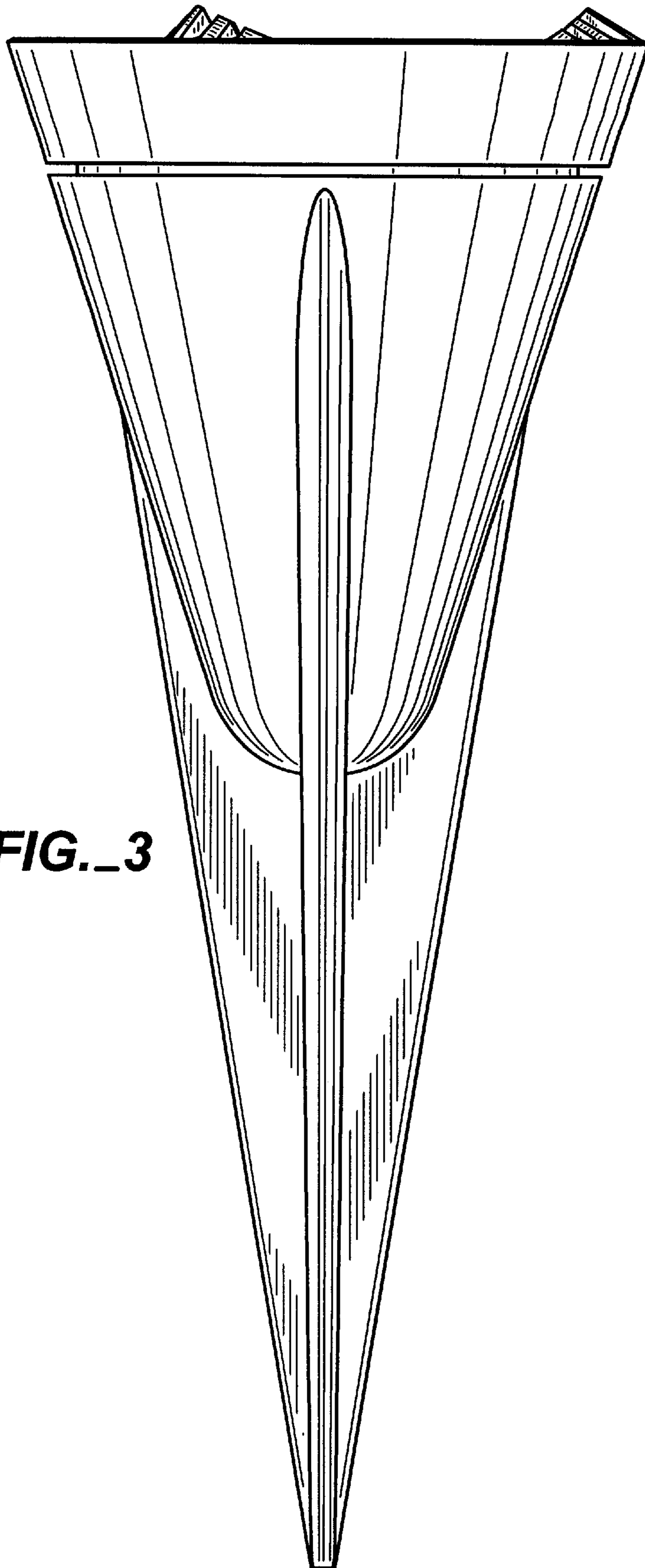
**1 Claim, 7 Drawing Sheets**



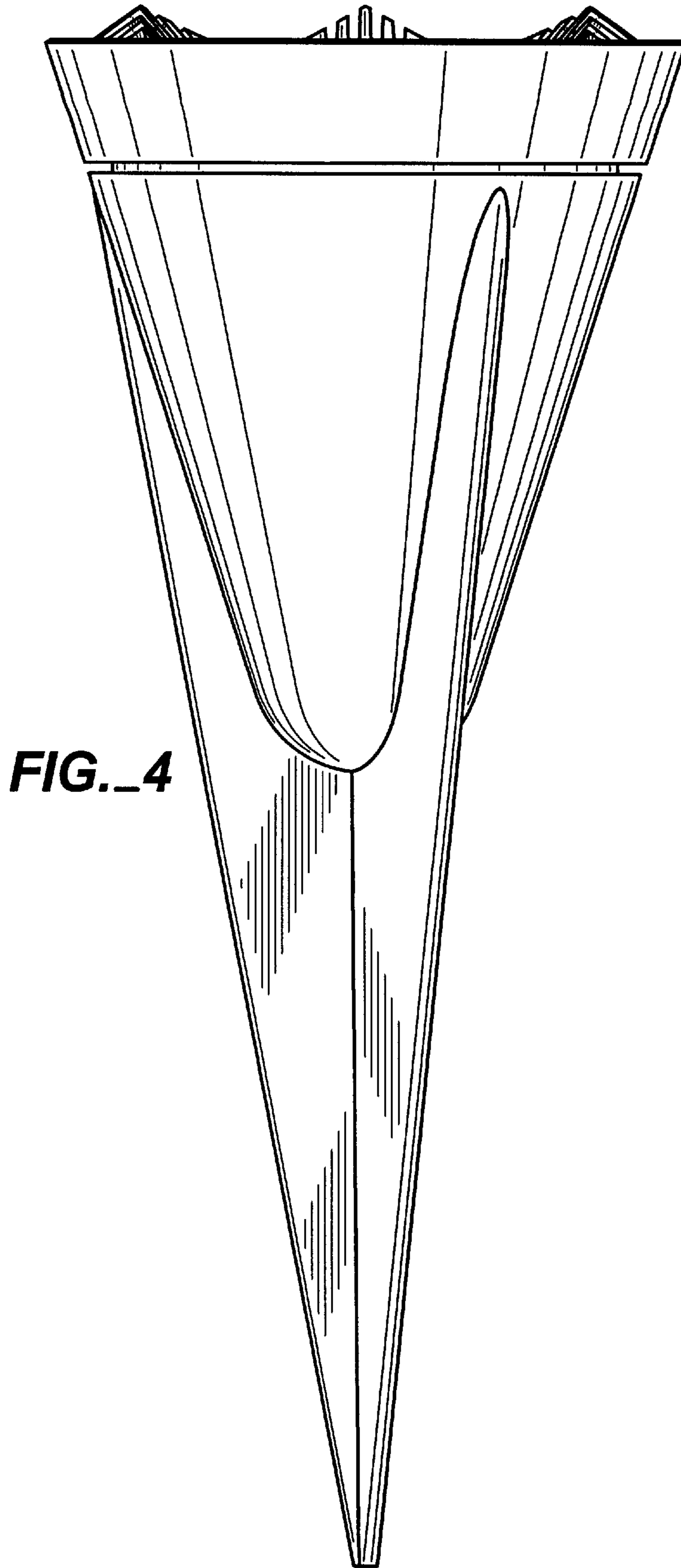


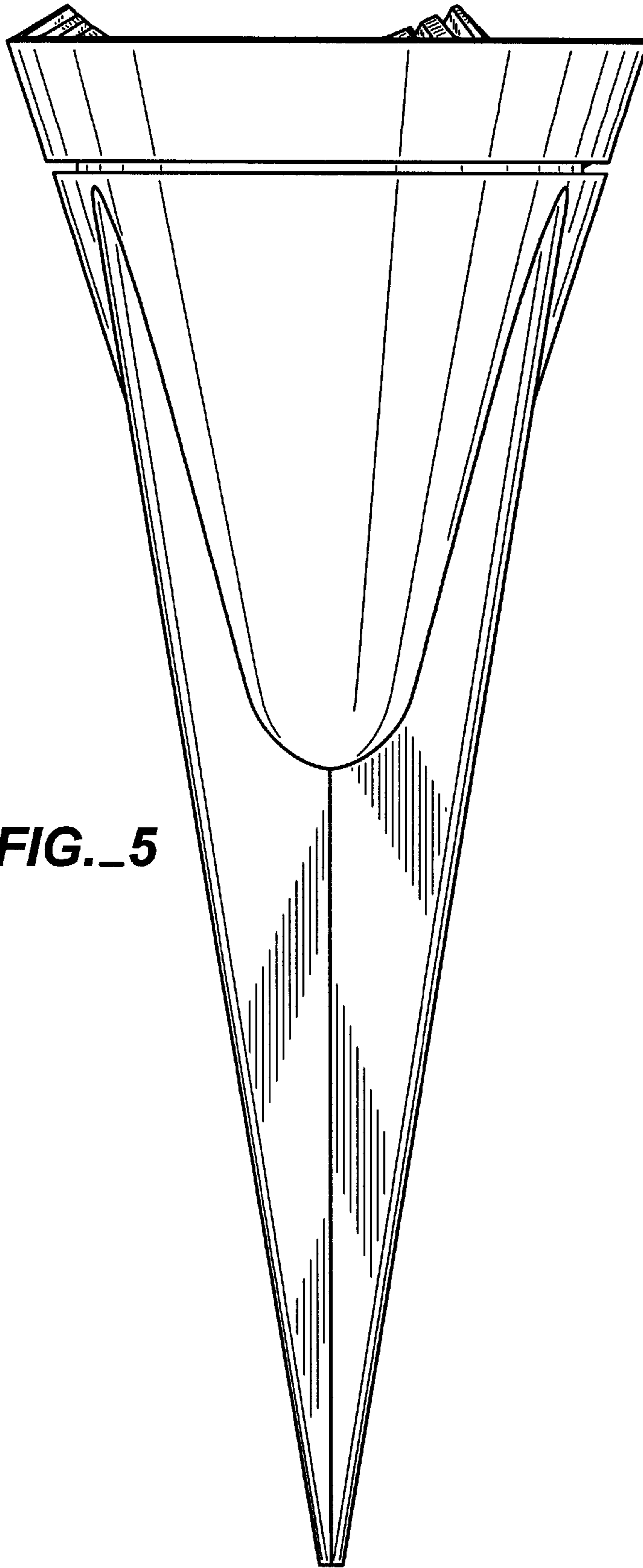


**FIG. 2**



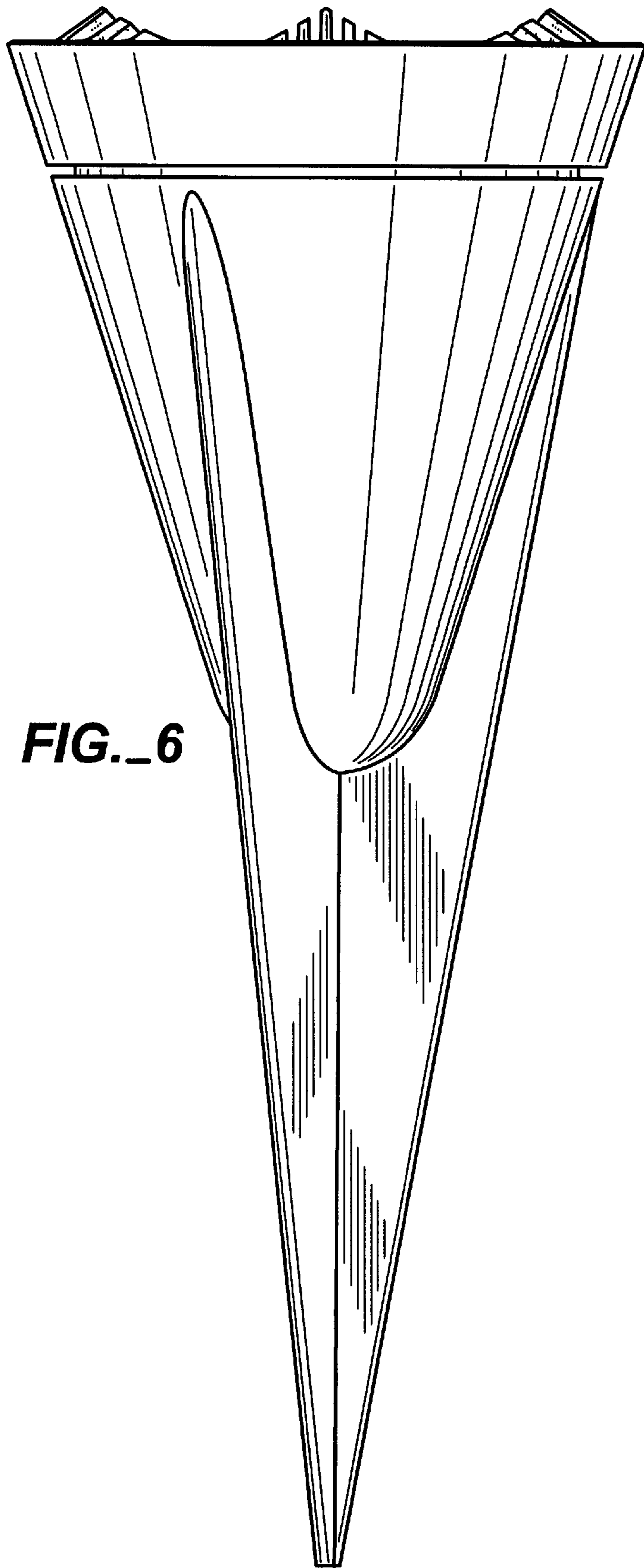
**FIG. 3**



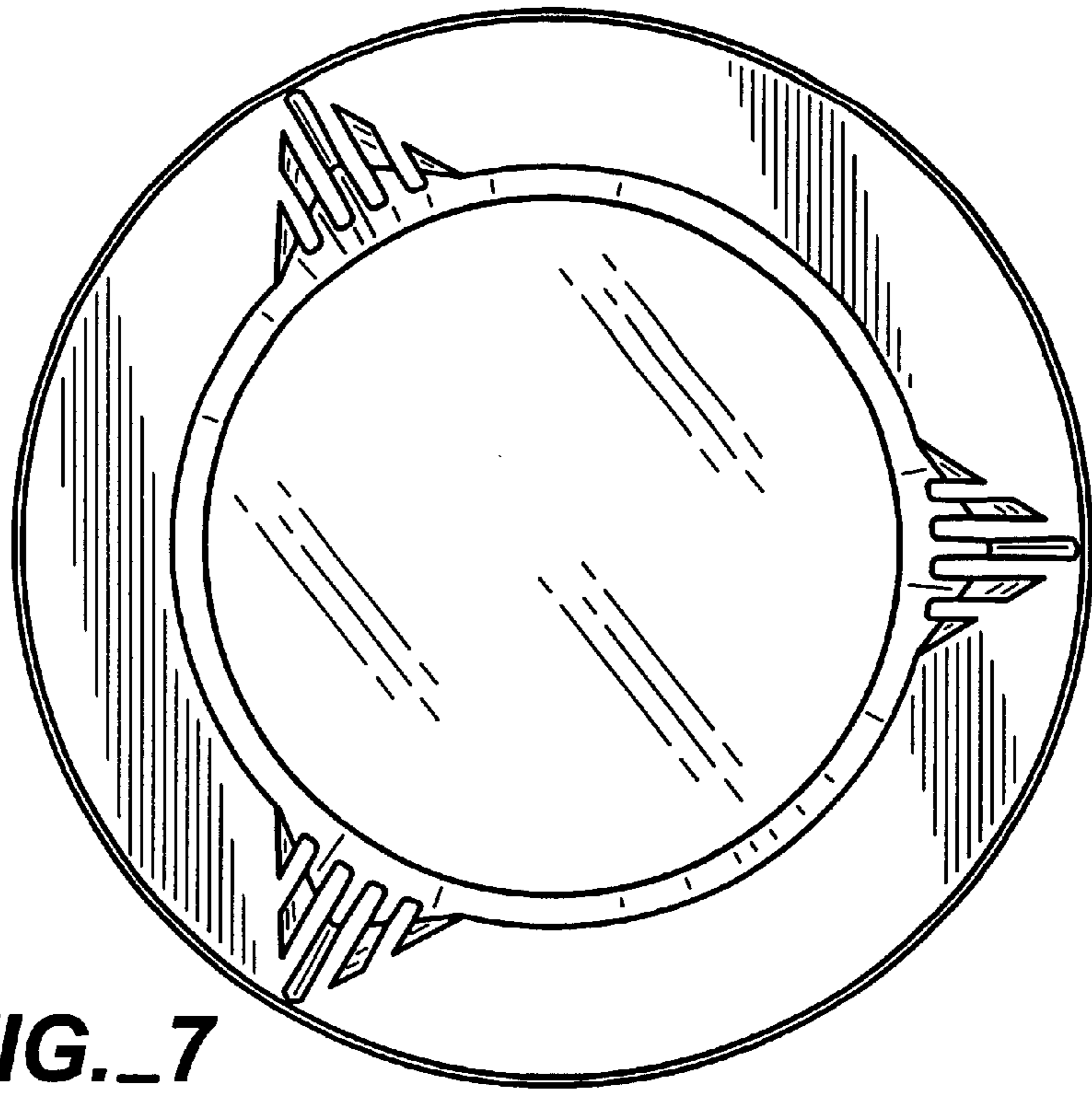


**FIG.\_5**

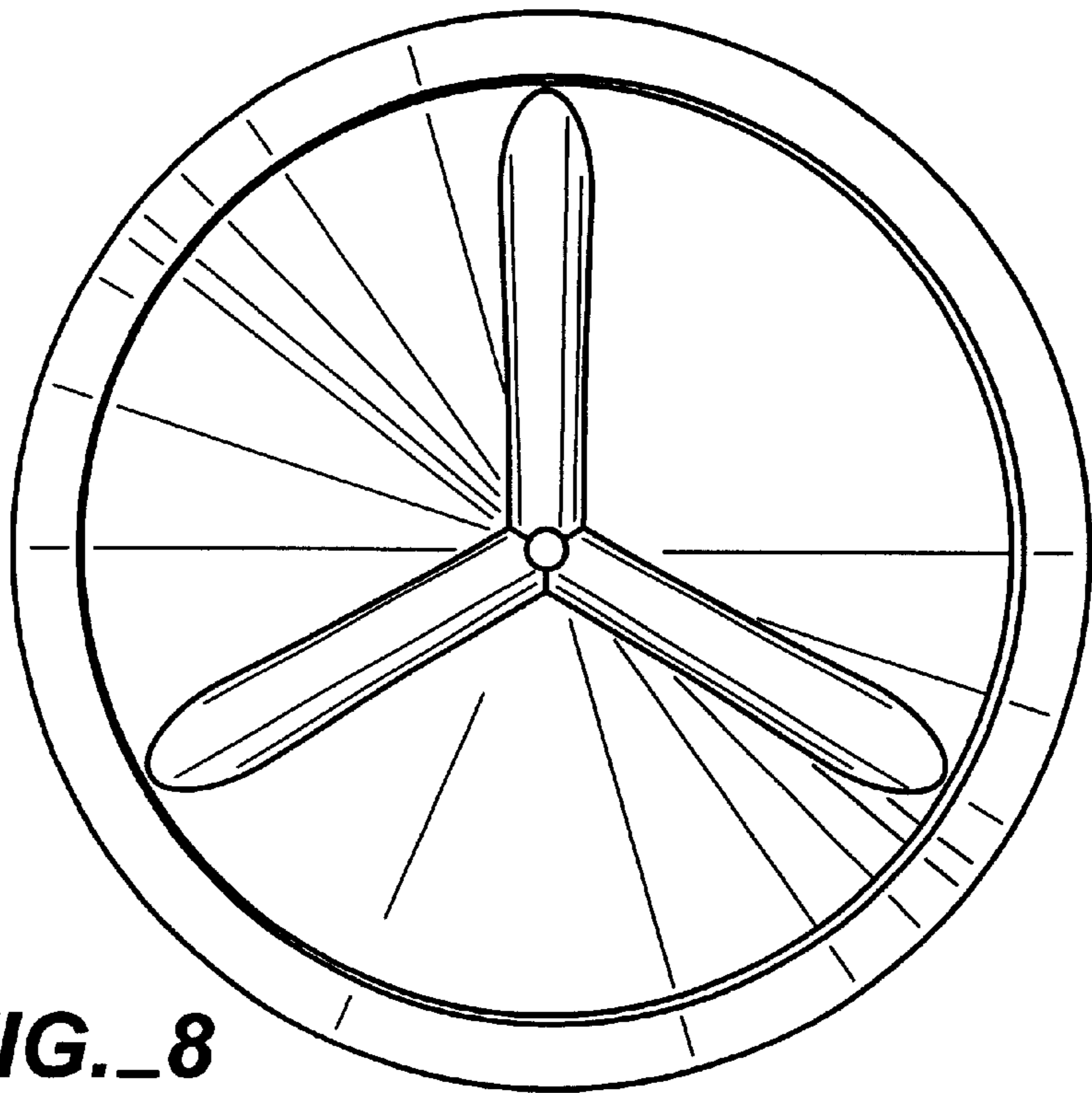




**FIG.\_6**



**FIG.\_7**



**FIG.\_8**