



US00D445521S

(12) **United States Design Patent**
Israel et al.

(10) **Patent No.:** **US D445,521 S**

(45) **Date of Patent:** **** Jul. 24, 2001**

(54) **PORTABLE LIGHTING DEVICE**

(75) Inventors: **Gary Israel**, Andover, KS (US); **James D. Morrow**, Oak Park, IL (US); **George O. Podd**, Riverside, IL (US); **Jimmy-Quang V. Doan**, Des Plaines, IL (US)

(73) Assignee: **The Coleman Company, Inc.**, Wichita, KS (US)

(**) Term: **14 Years**

(21) Appl. No.: **29/123,340**

(22) Filed: **May 16, 2000**

(51) **LOC (7) Cl.** **26-02**

(52) **U.S. Cl.** **D26/46; D26/49**

(58) **Field of Search** **D26/37-50; 362/157, 362/158, 171, 173, 183-208**

(56) **References Cited**

U.S. PATENT DOCUMENTS

- D. 370,989 6/1996 Garrity .
- D. 411,023 6/1999 Yau .
- D. 416,343 * 11/1999 Dalton et al. D26/49
- D. 417,921 * 12/1999 Dalton et al. D26/49
- D. 418,933 1/2000 Yang .

- D. 420,157 2/2000 Garrity .
- D. 420,457 2/2000 Breit .
- D. 431,085 9/2000 Poon .
- D. 433,523 * 11/2000 Poon D26/49

* cited by examiner

Primary Examiner—Marcus A. Jackson

(74) *Attorney, Agent, or Firm*—Kramer, Levin, Naftalis & Frankel LLP.

(57) **CLAIM**

The ornamental design for a portable lighting device, as shown and described.

DESCRIPTION

FIG. 1 is a front perspective view showing the new design, with the broken line showing for illustrative purposes only and forming no part of the claimed design;

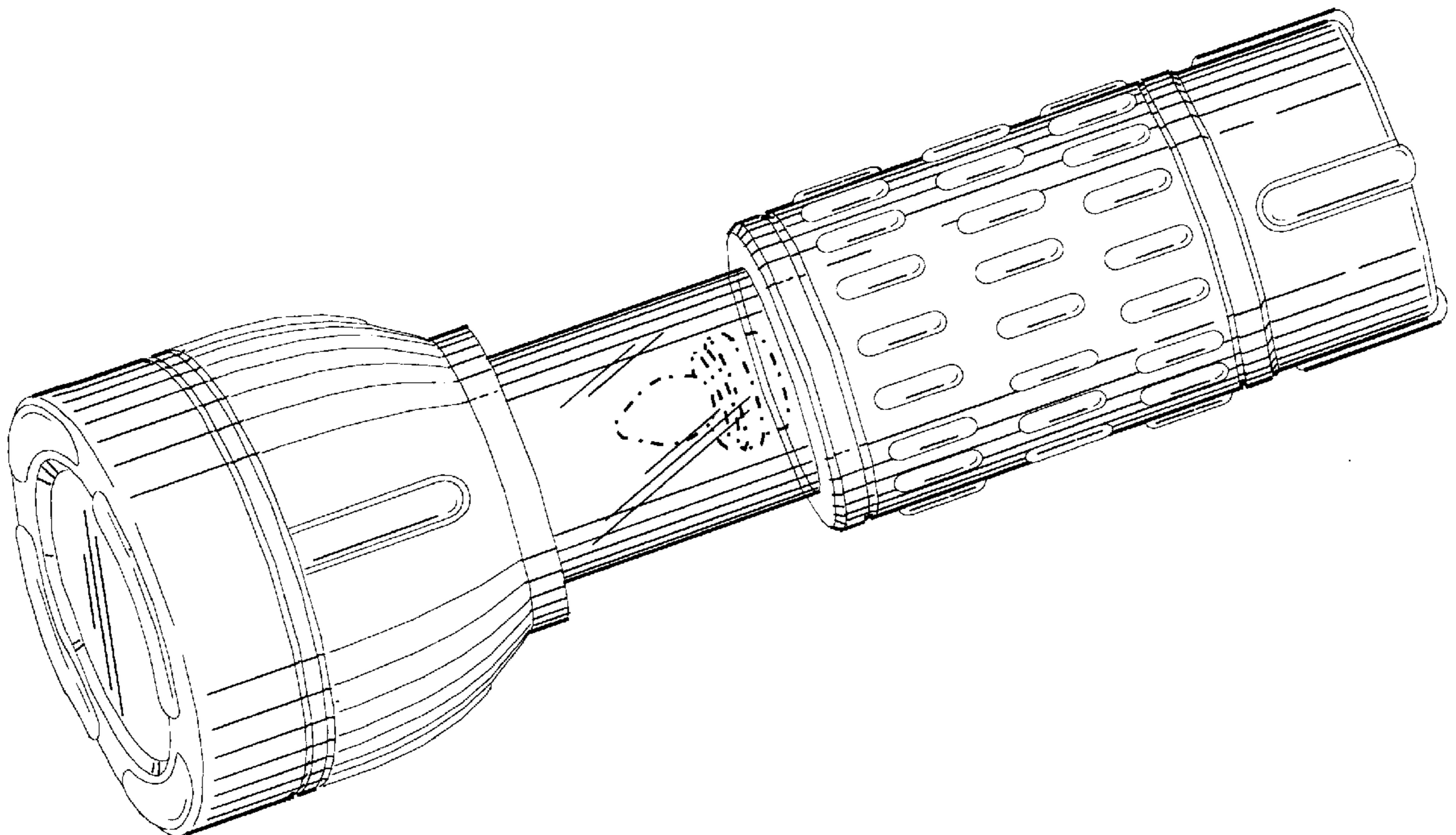
FIG. 2 is an alternate front perspective view showing the new design, the only difference from FIG. 1 being that the device is shown in a retracted configuration;

FIG. 3 is a top plan view thereof, the bottom plan view, and right and left side elevation views being substantially similar;

FIG. 4 is a front elevation view thereof; and,

FIG. 5 is a rear elevation view thereof.

1 Claim, 4 Drawing Sheets



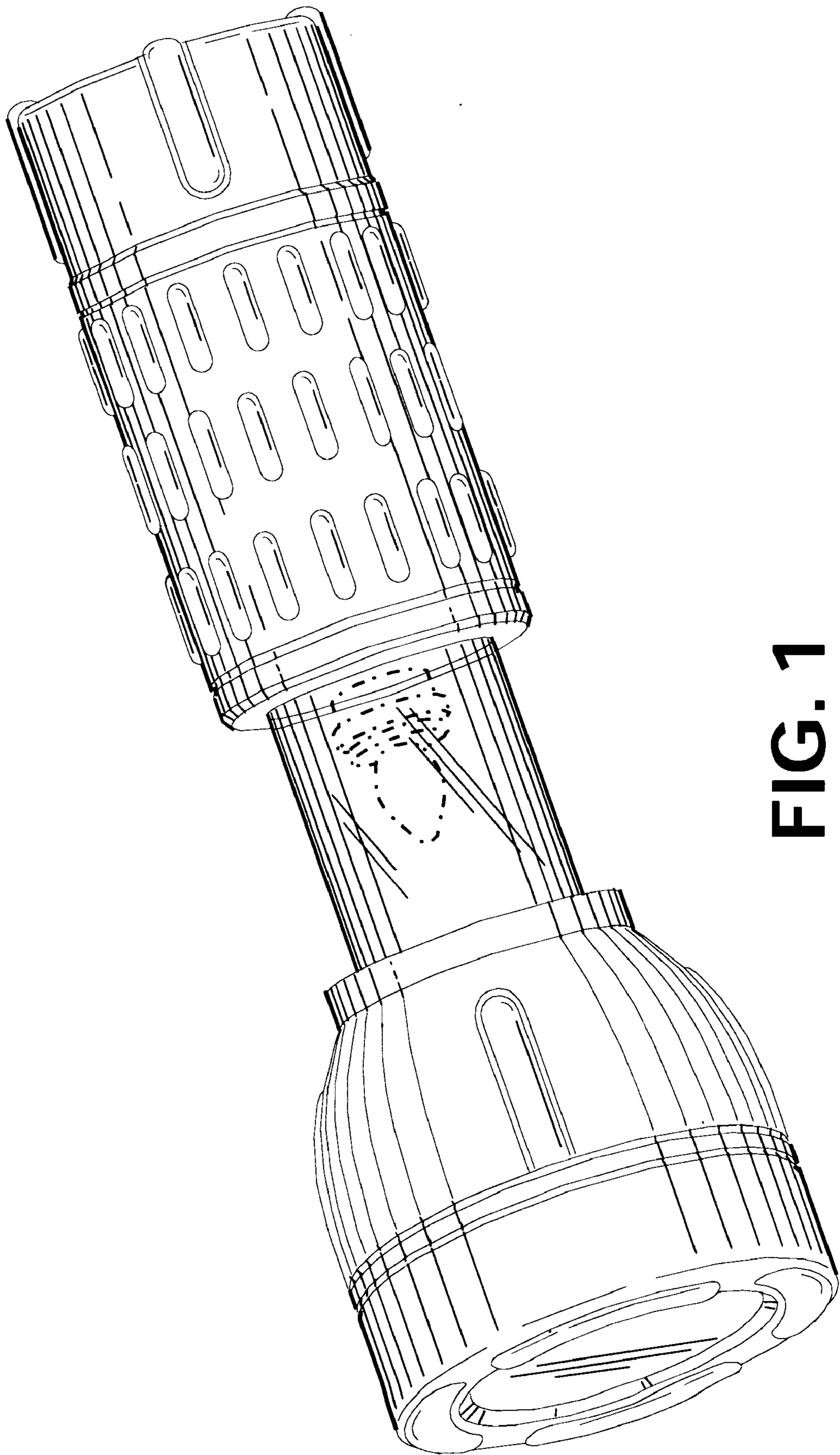


FIG. 1

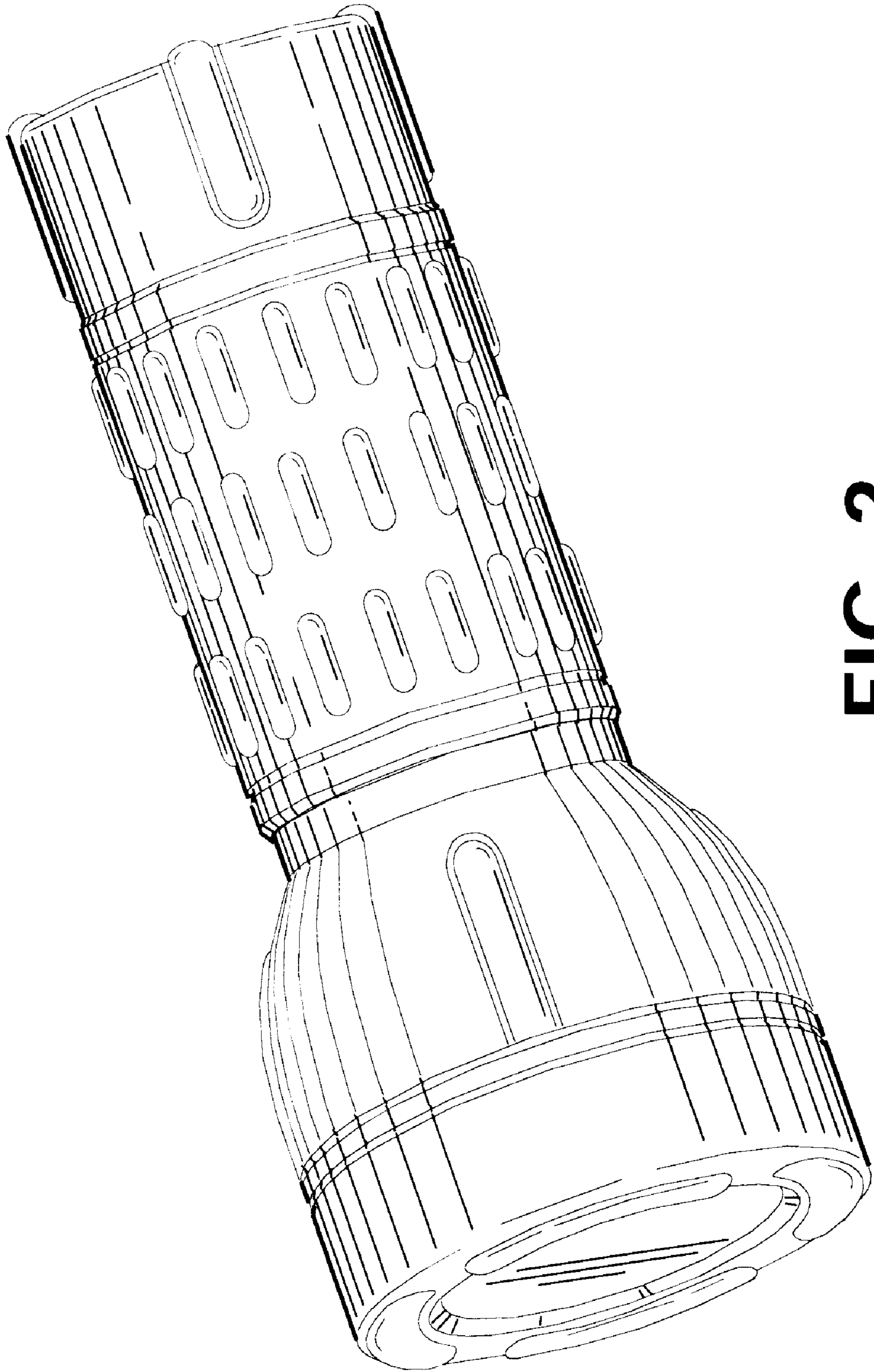


FIG. 2

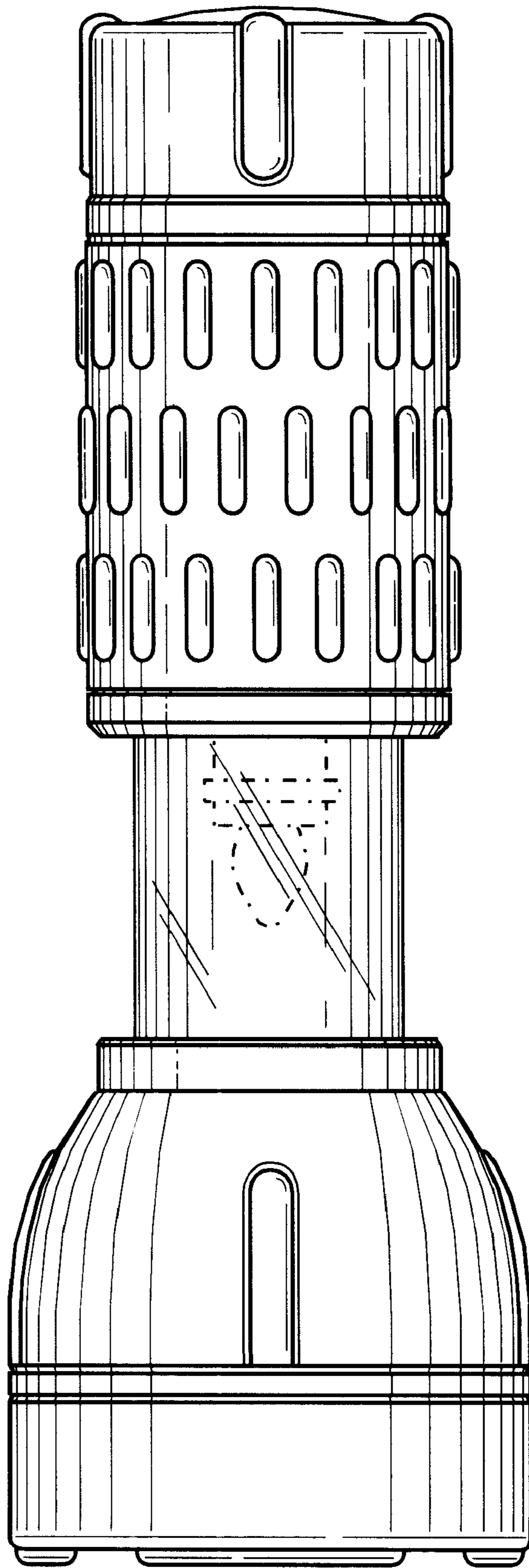


FIG. 3

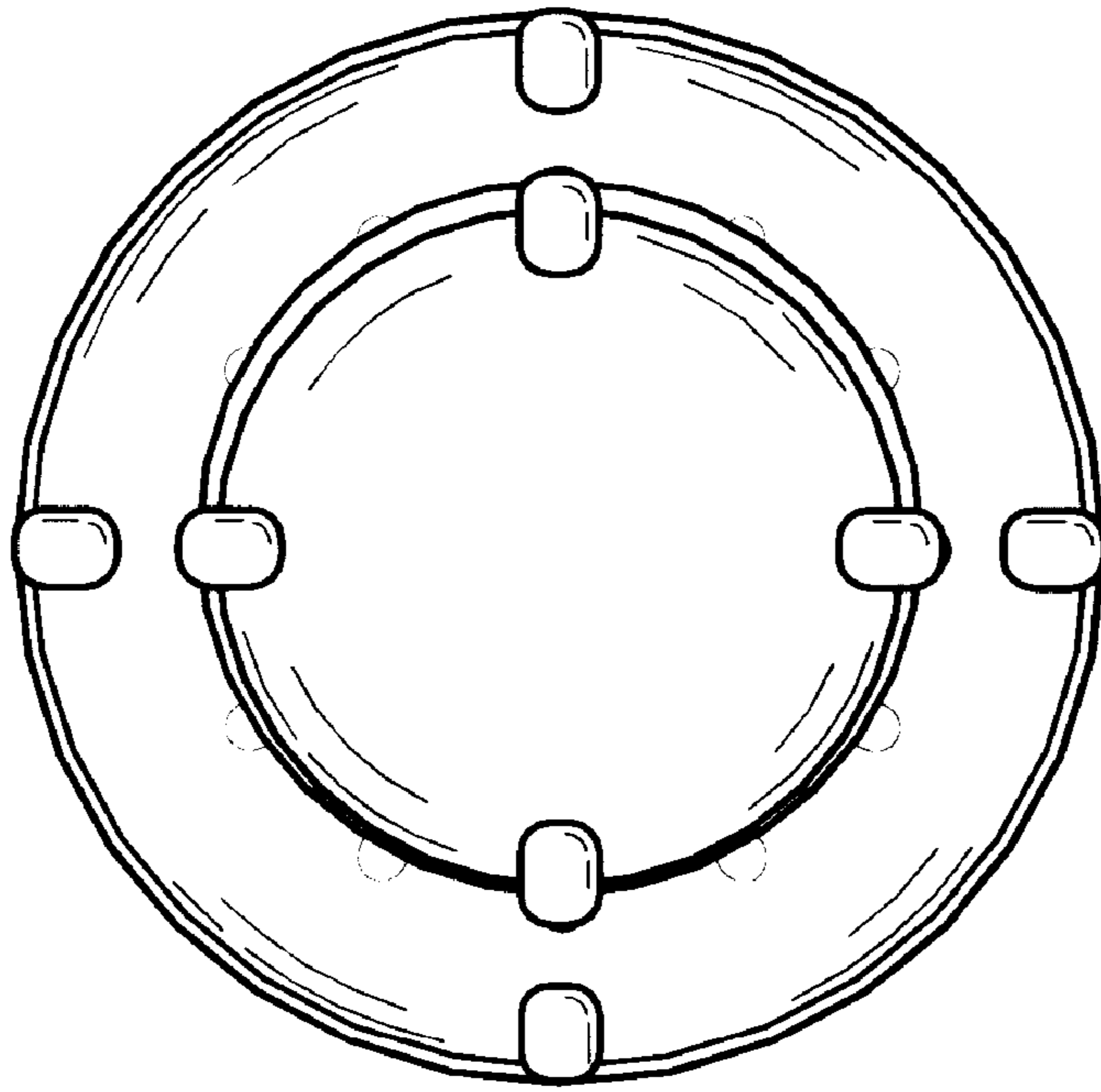


FIG. 5

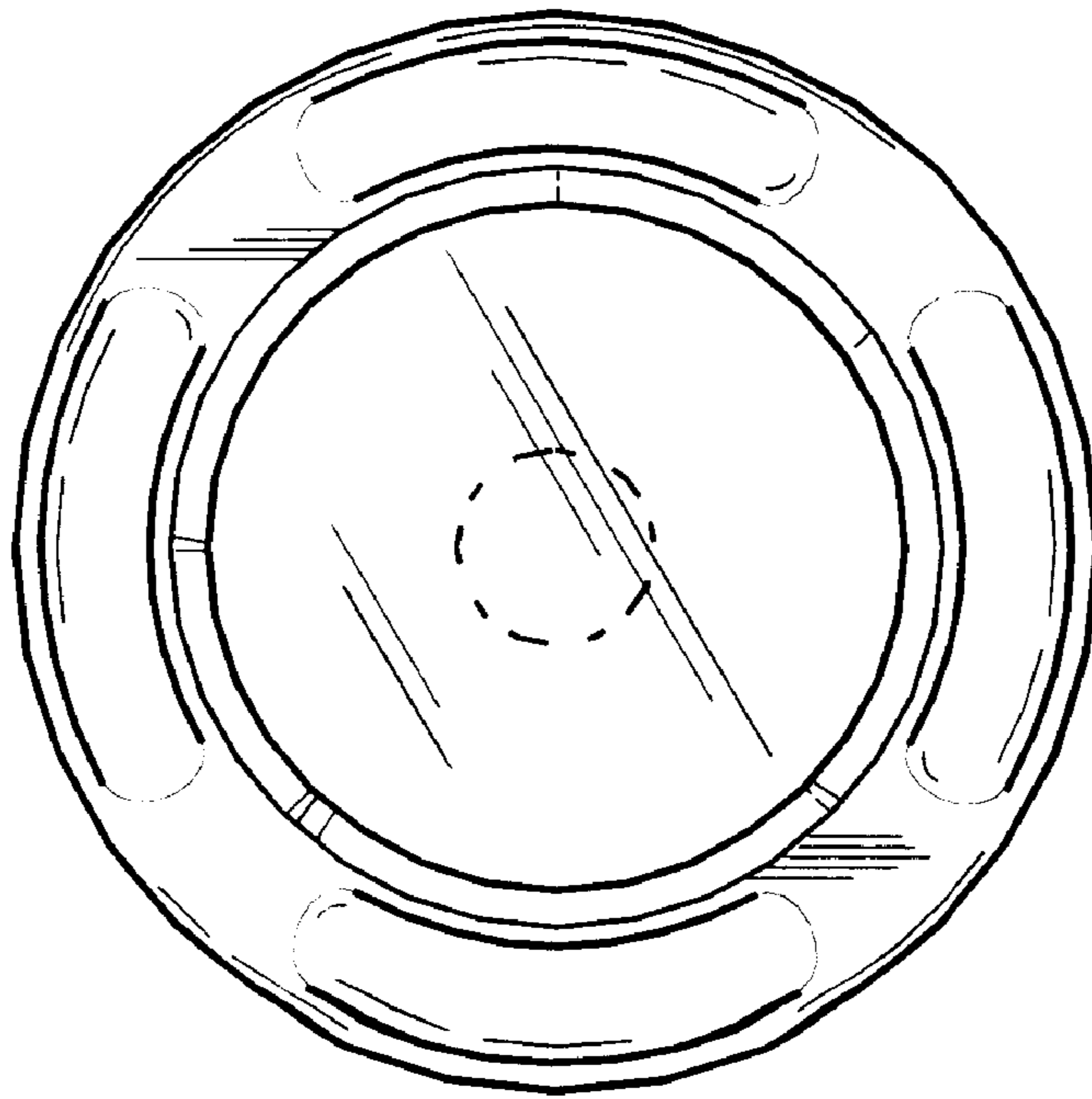


FIG. 4