



US00D445519S

(12) **United States Design Patent**
Burns

(10) **Patent No.:** **US D445,519 S**

(45) **Date of Patent:** **** Jul. 24, 2001**

(54) **LANTERN**

(75) **Inventor:** **Bruce Burns**, Lake Oswego, OR (US)

(73) **Assignee:** **Burns Bros., Inc.**, Lake Oswego, OR (US)

(**) **Term:** **14 Years**

(21) **Appl. No.:** **29/132,011**

(22) **Filed:** **Nov. 1, 2000**

(51) **LOC (7) Cl.** **26-02**

(52) **U.S. Cl.** **D26/38**

(58) **Field of Search** D26/37-50; 362/157, 362/158, 171, 172, 173, 181-208; D14/168, 188, 193-198

(56) **References Cited**

U.S. PATENT DOCUMENTS

- D. 410,099 * 5/1999 Lam D26/38
- D. 433,401 * 11/2000 Chan D26/38

* cited by examiner

Primary Examiner—Marcus A. Jackson

(74) *Attorney, Agent, or Firm*—Miles & Stockbridge P.C.

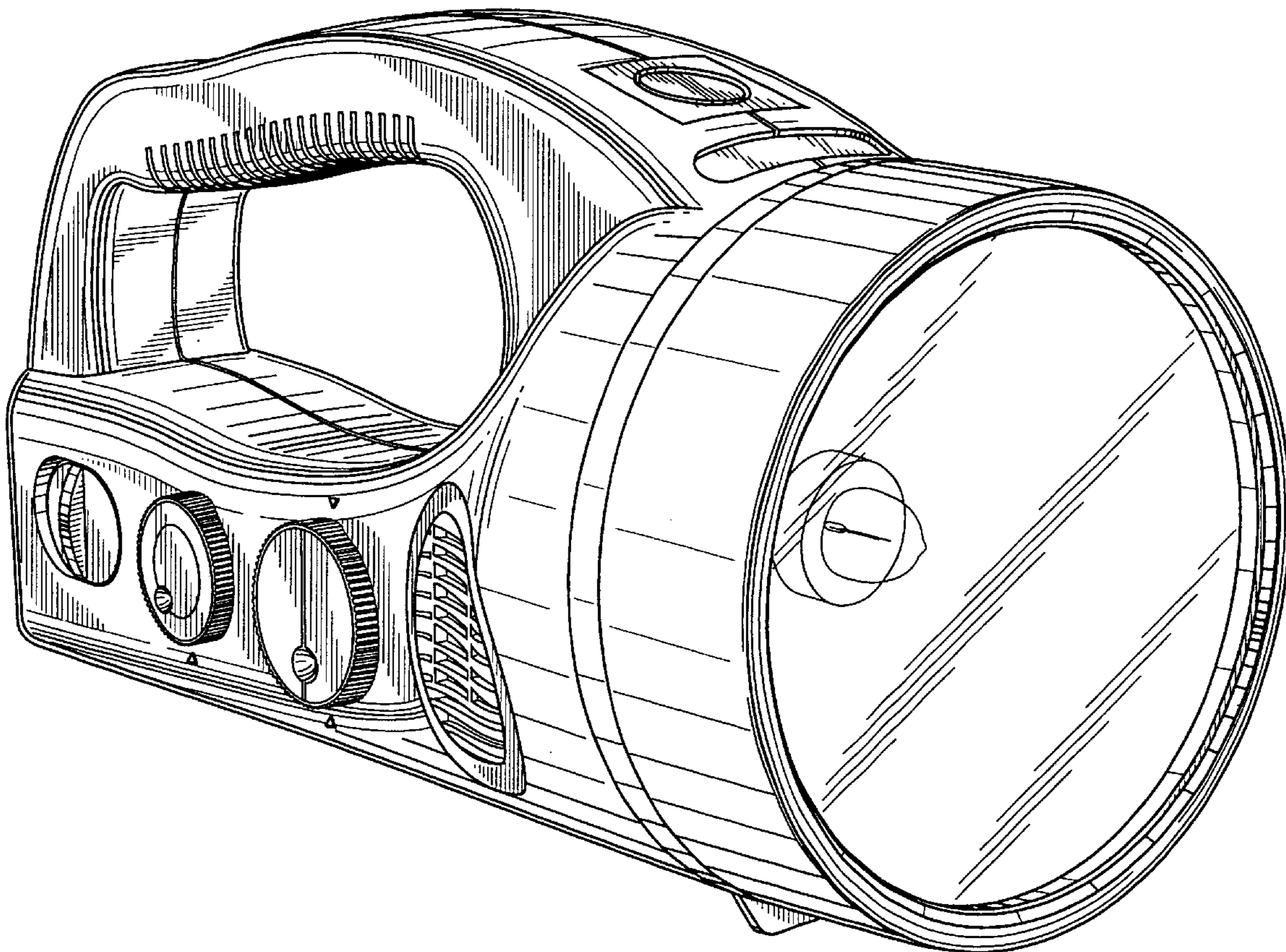
(57) **CLAIM**

The ornamental design for a lantern, as shown.

DESCRIPTION

FIG. 1 is a perspective view of a lantern showing my new design;
 FIG. 2 is a left side elevational view thereof;
 FIG. 3 is a top plan view thereof;
 FIG. 4 is a bottom plan view thereof;
 FIG. 5 is a front elevational view thereof;
 FIG. 6 is a rear elevational view thereof;
 FIG. 7 is a perspective view of a second embodiment of a lantern showing my new design;
 FIG. 8 is a left side elevational view of the embodiment of FIG. 7;
 FIG. 9 is a top plan view of the embodiment of FIG. 7;
 FIG. 10 is a bottom plan view of the embodiment of FIG. 7;
 FIG. 11 is a front elevational view of the embodiment of FIG. 7; and,
 FIG. 12 is a rear elevational view of the embodiment of FIG. 7.

1 Claim, 10 Drawing Sheets



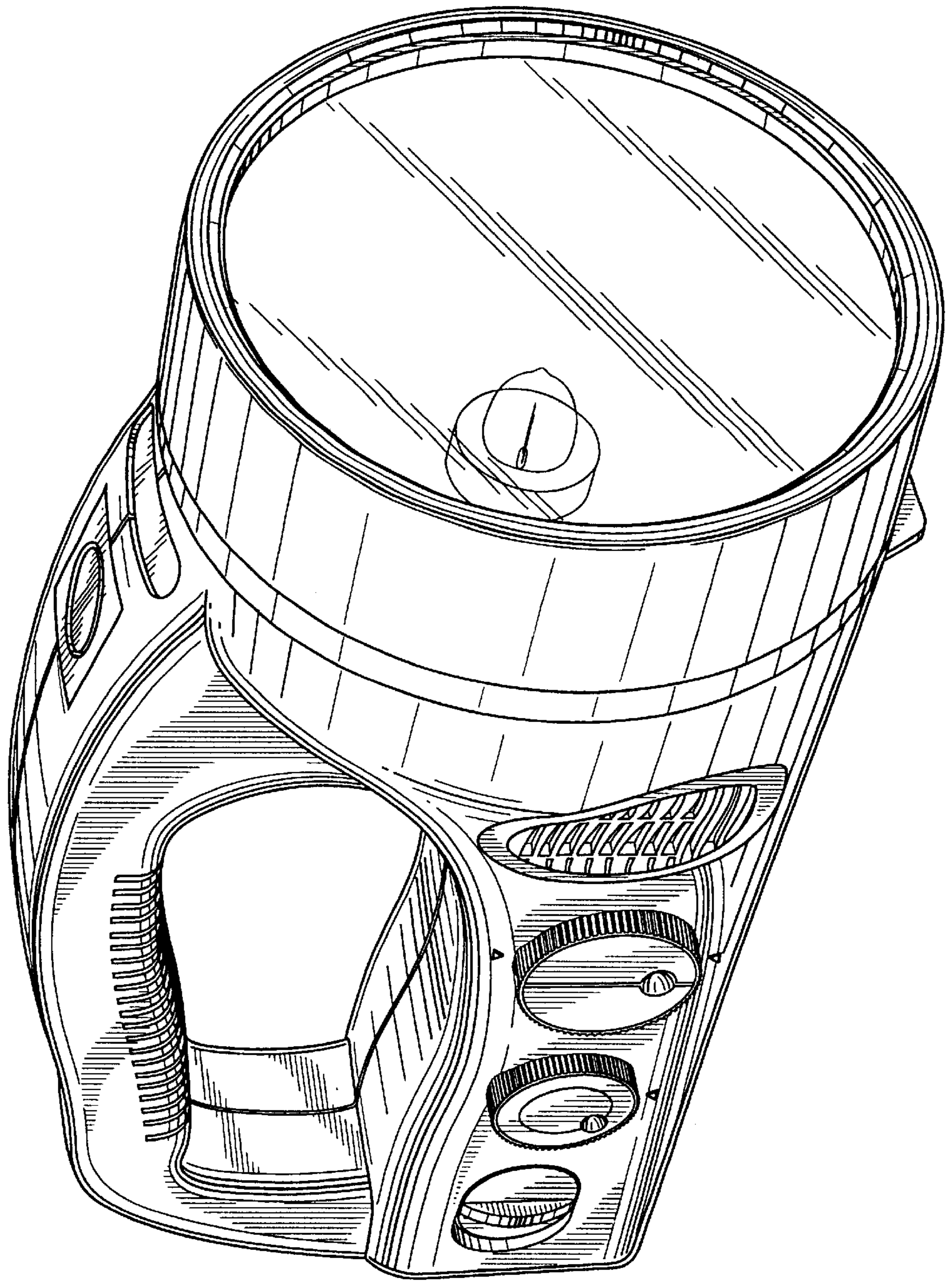


FIG. 1

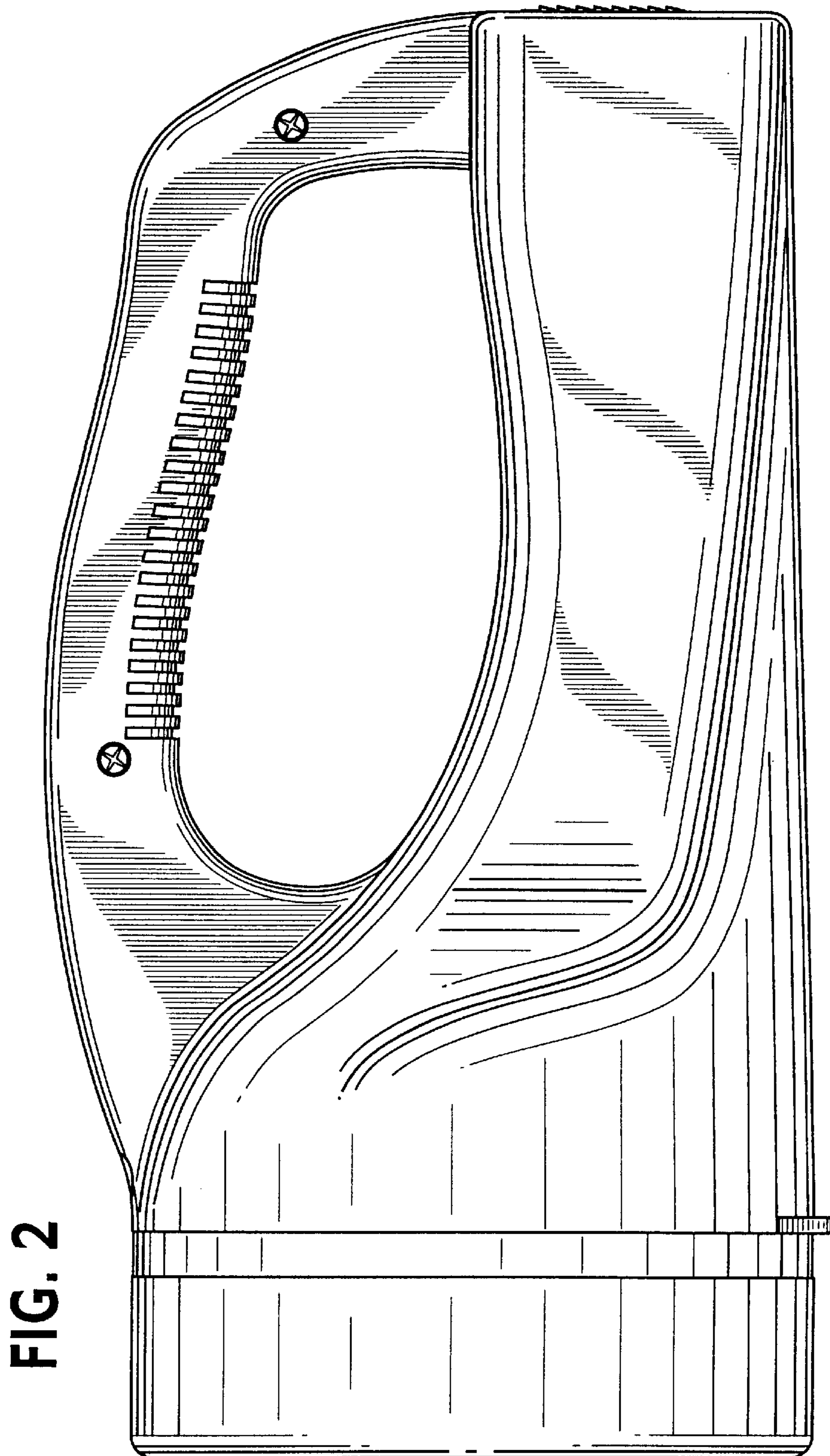


FIG. 3

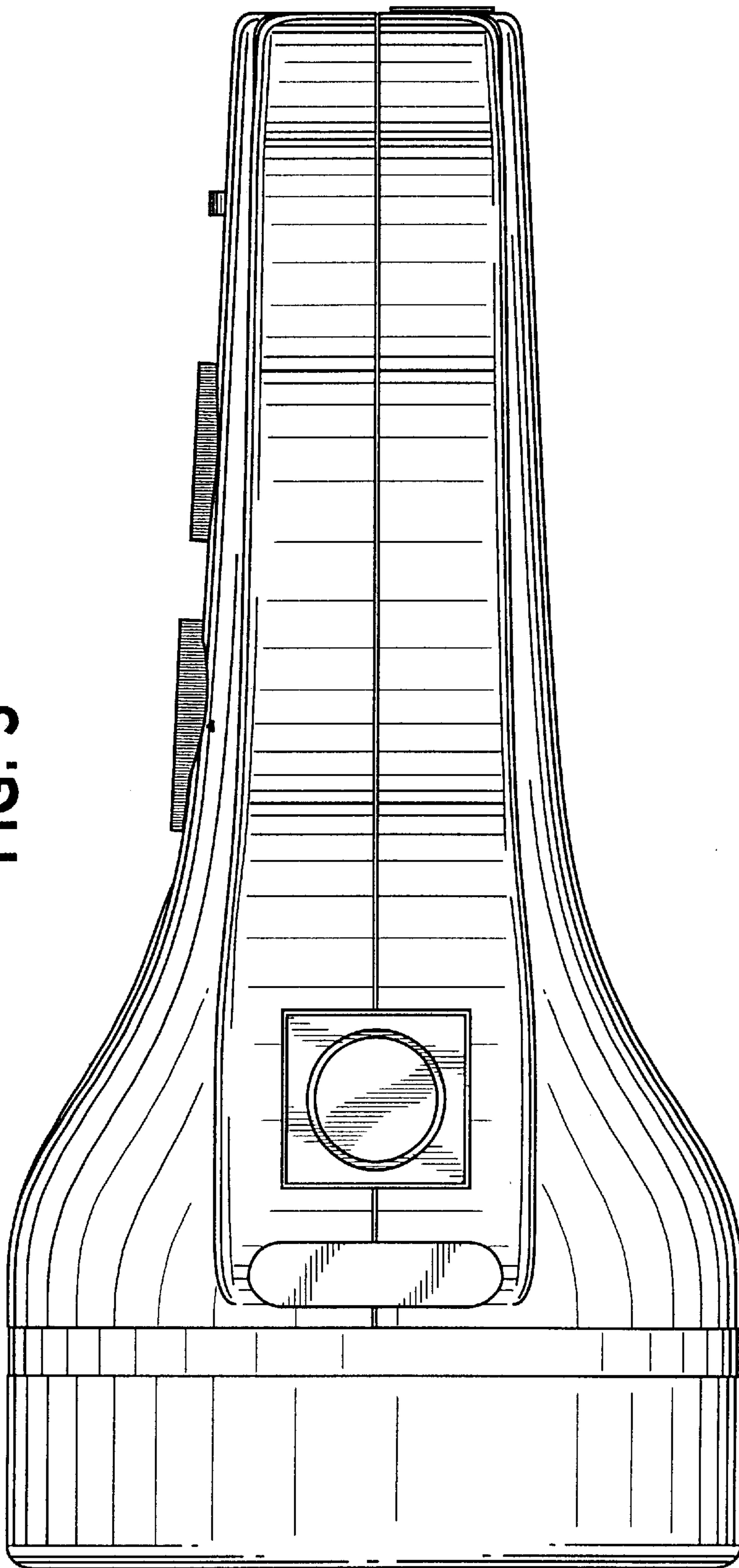
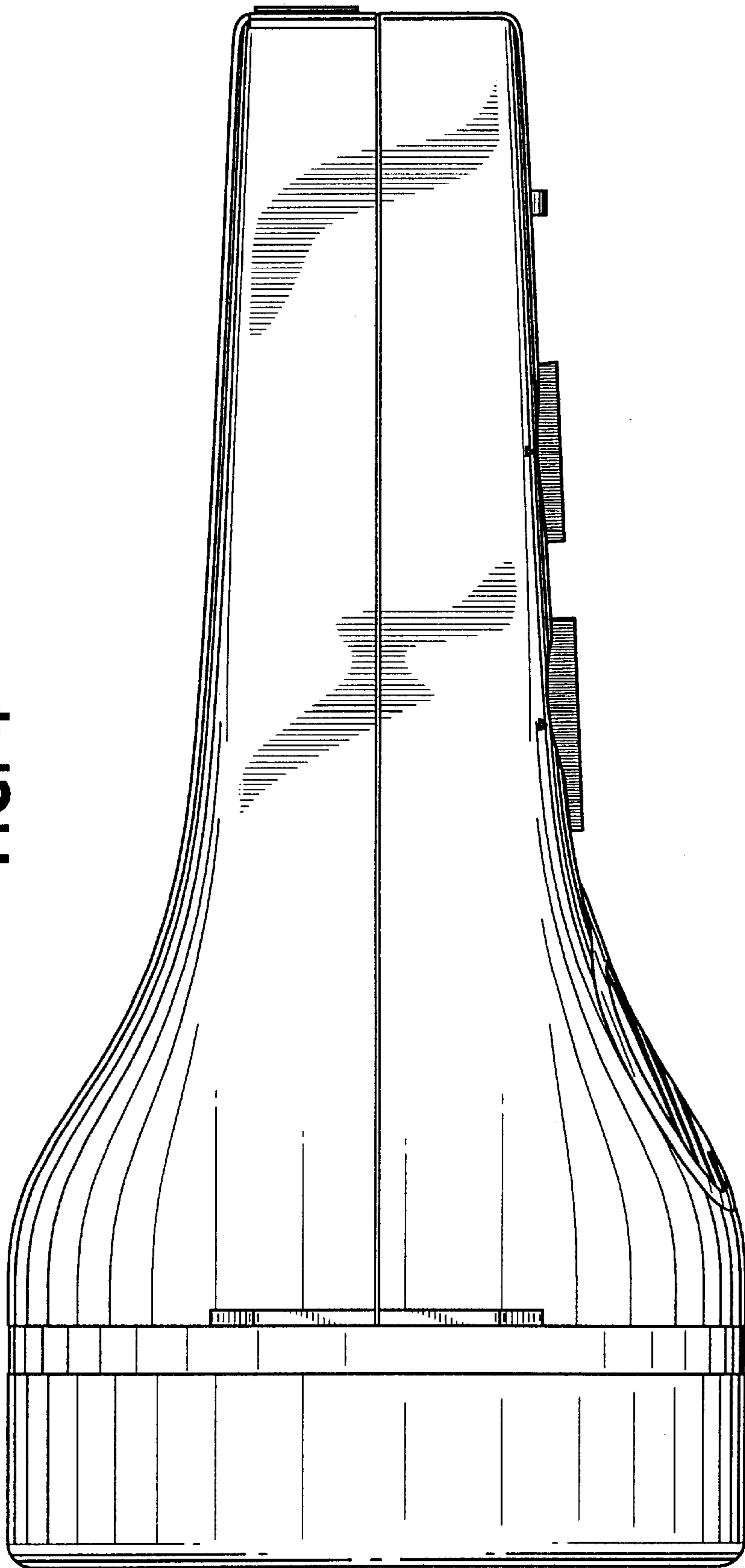


FIG. 4



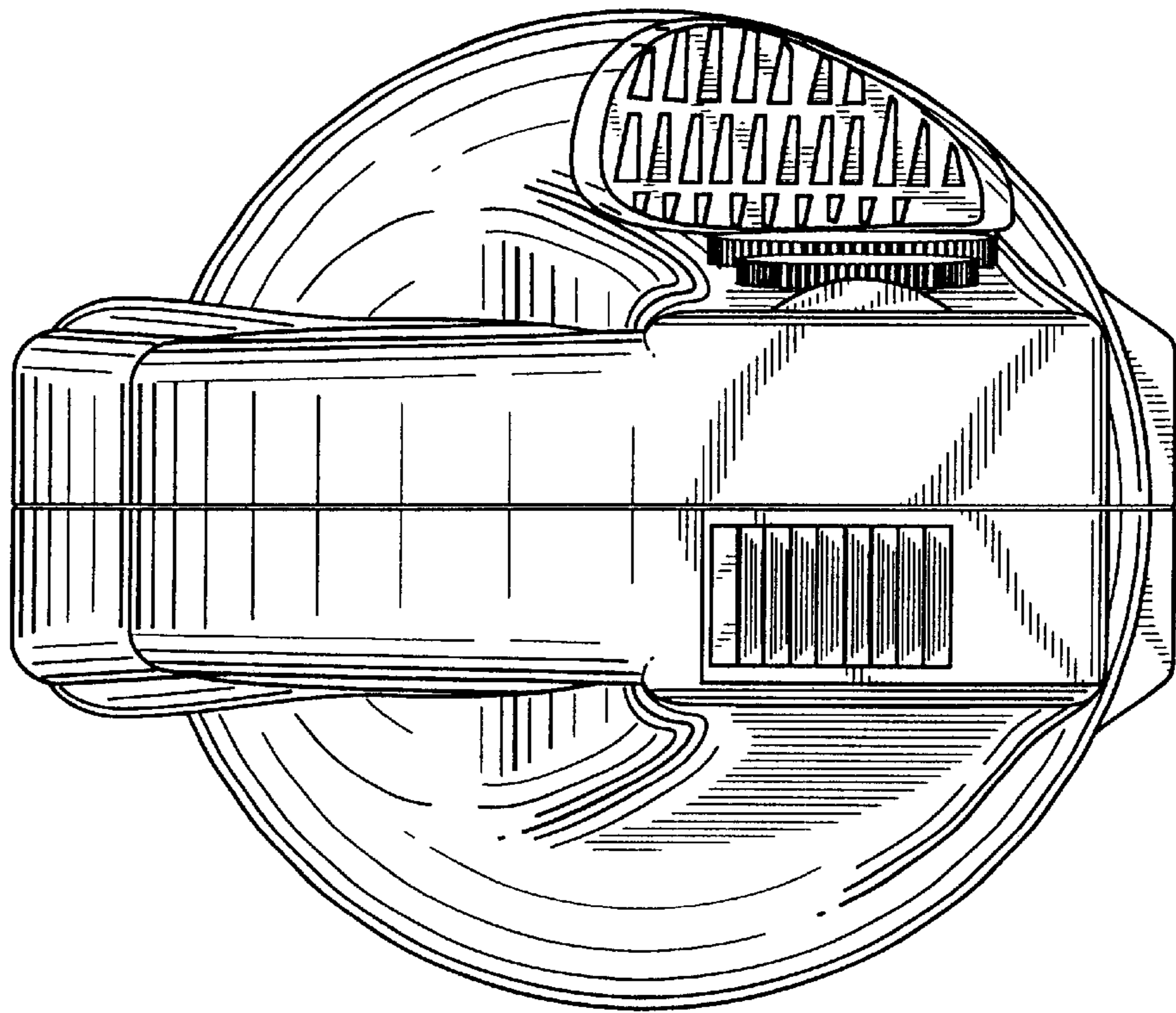


FIG. 6

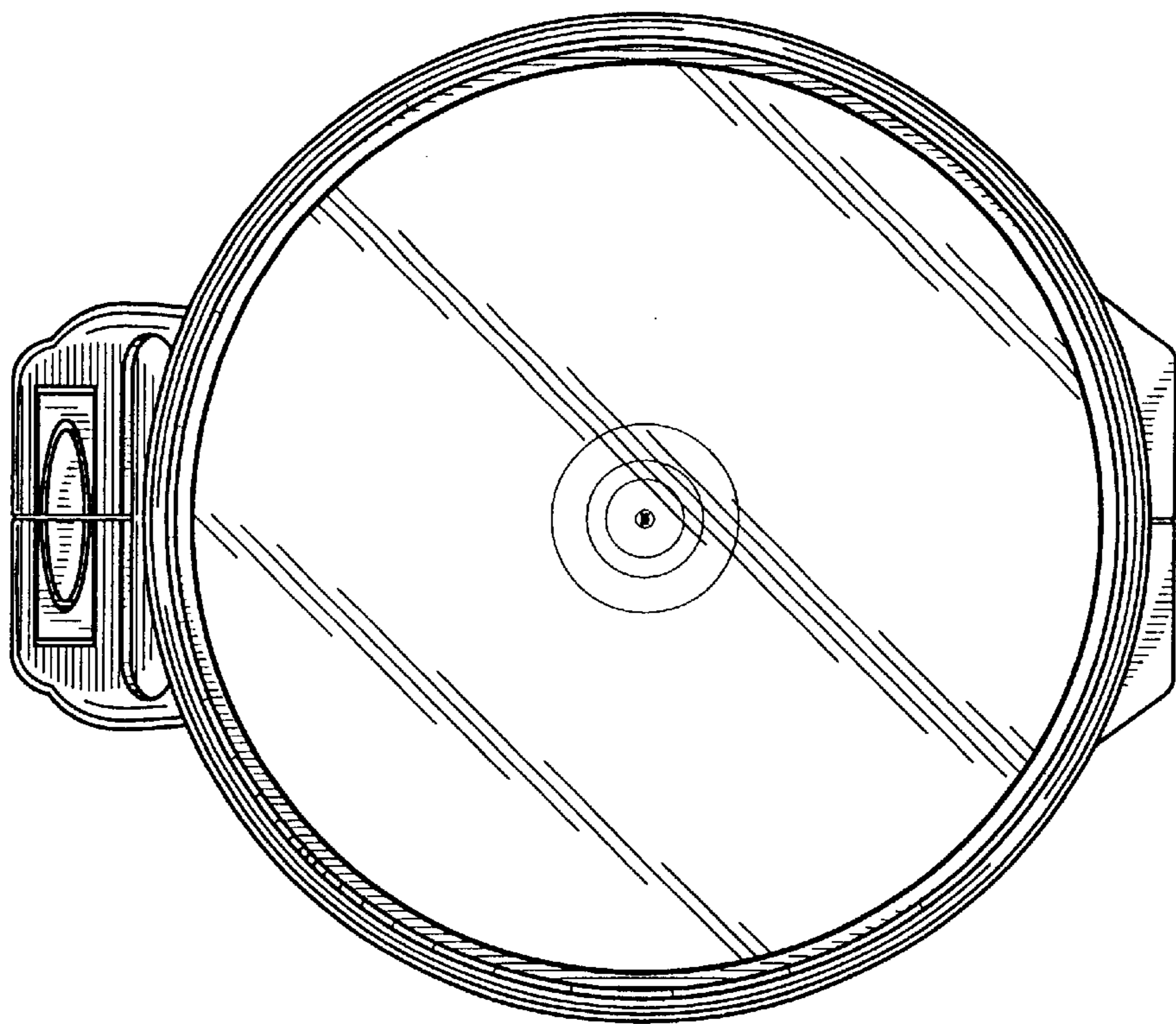


FIG. 5

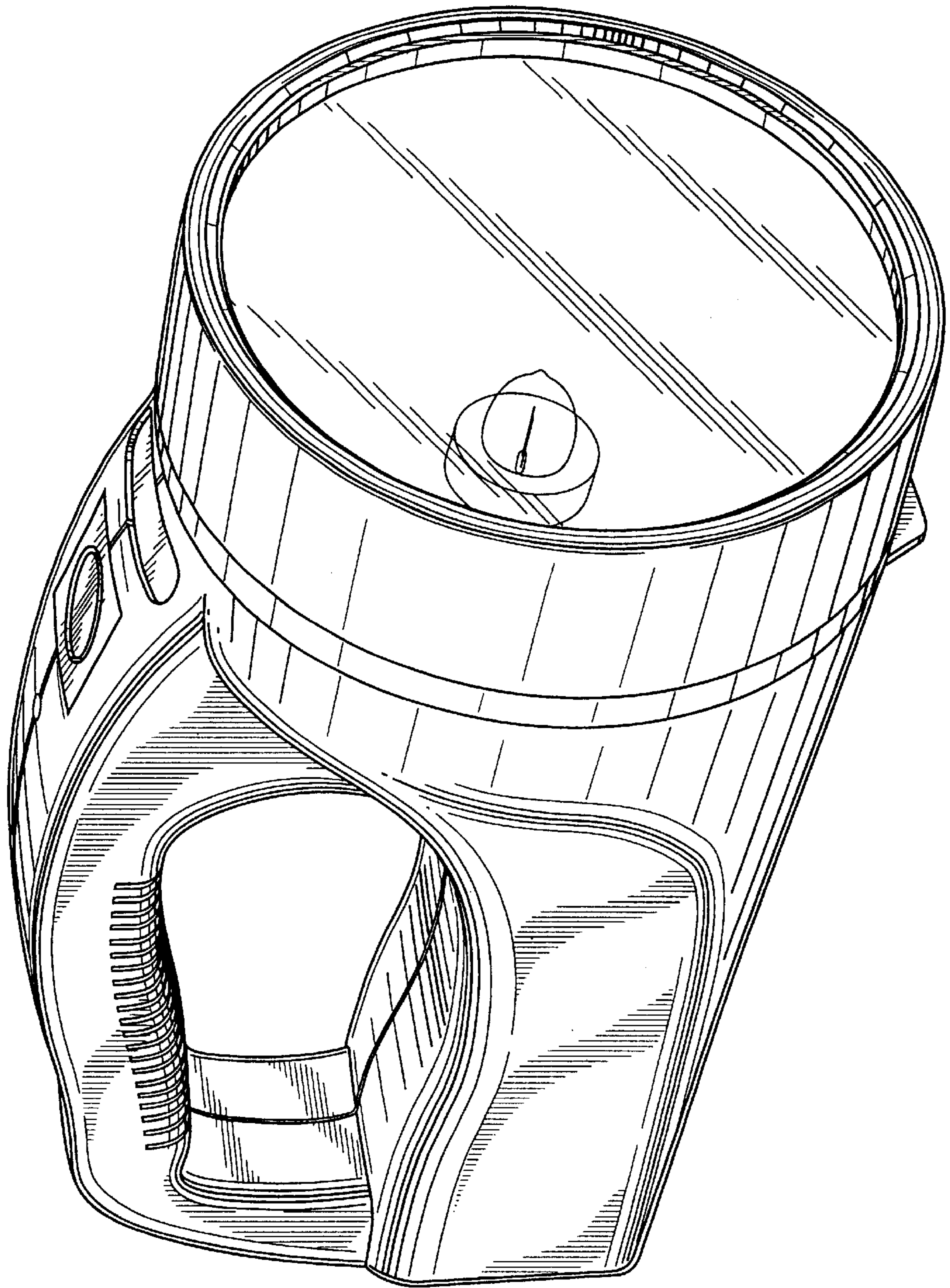


FIG. 7

FIG. 8

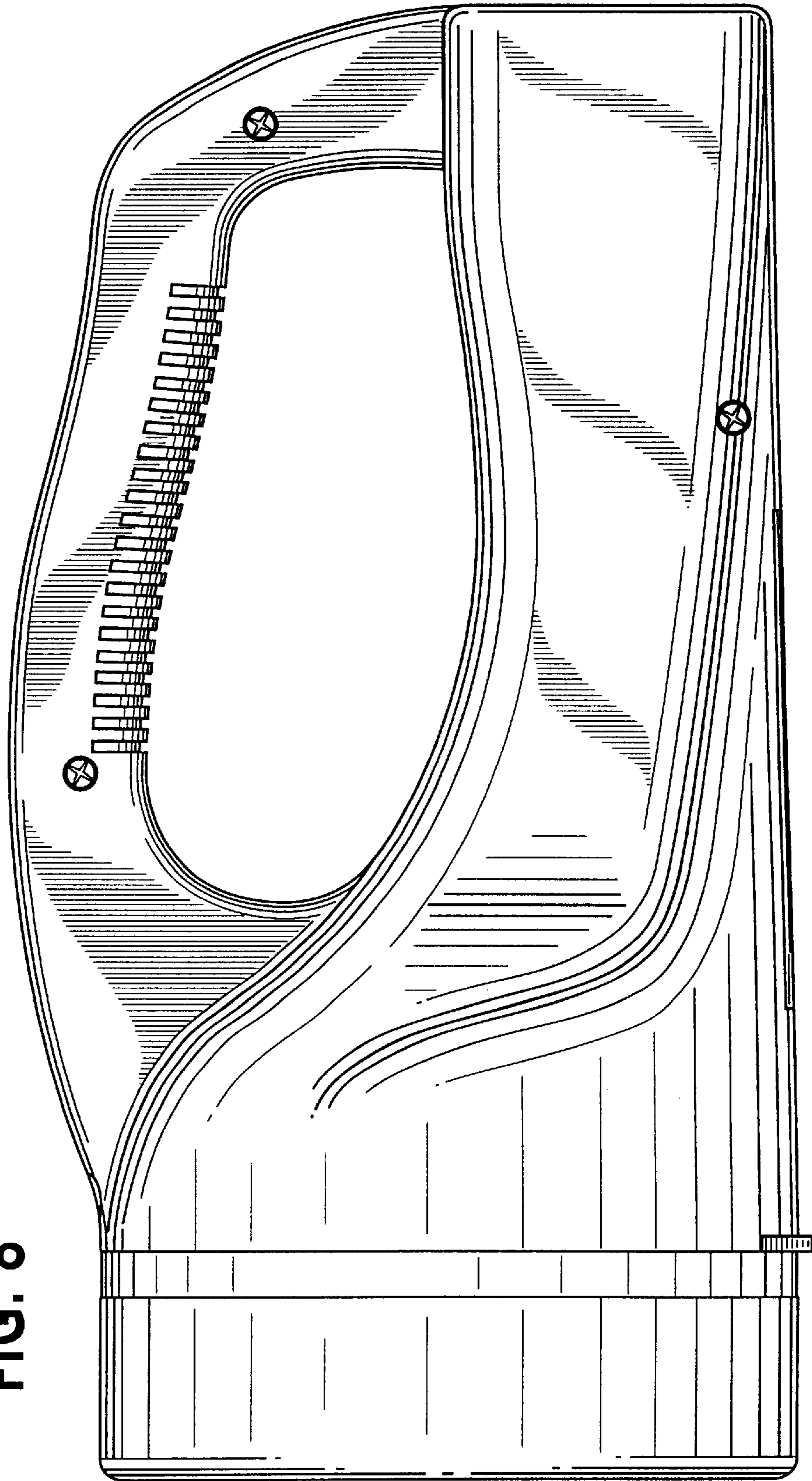


FIG. 9

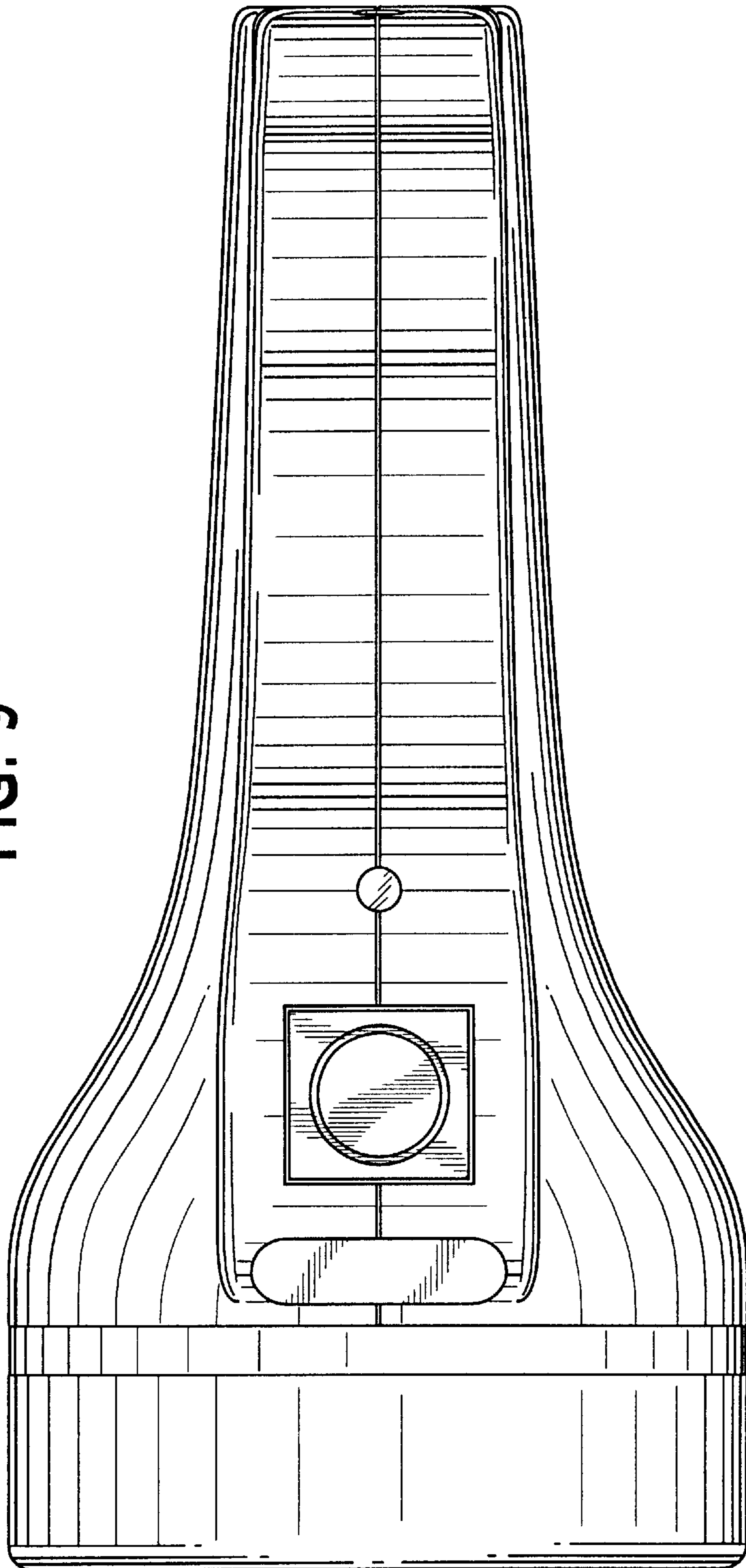


FIG. 10

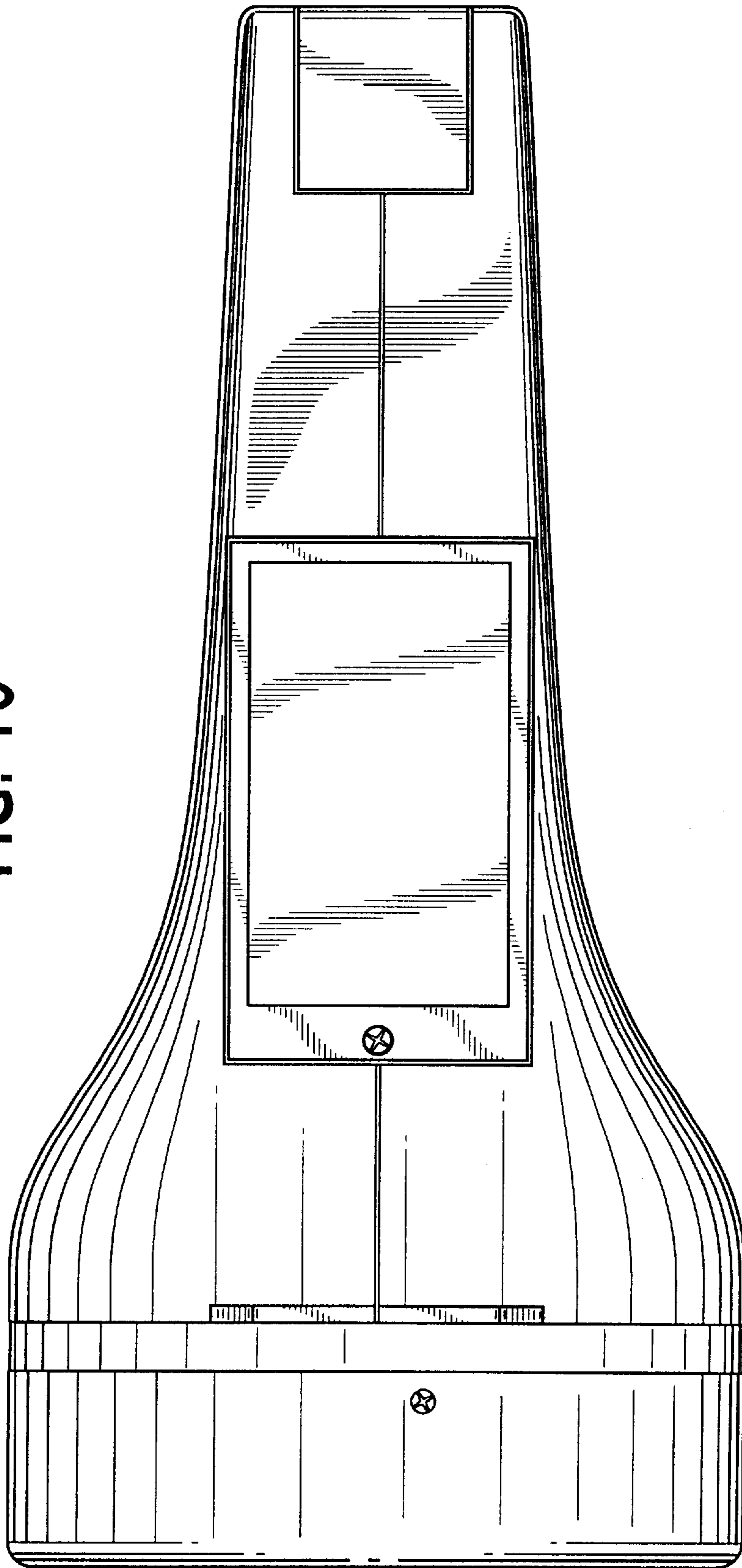


FIG. 12

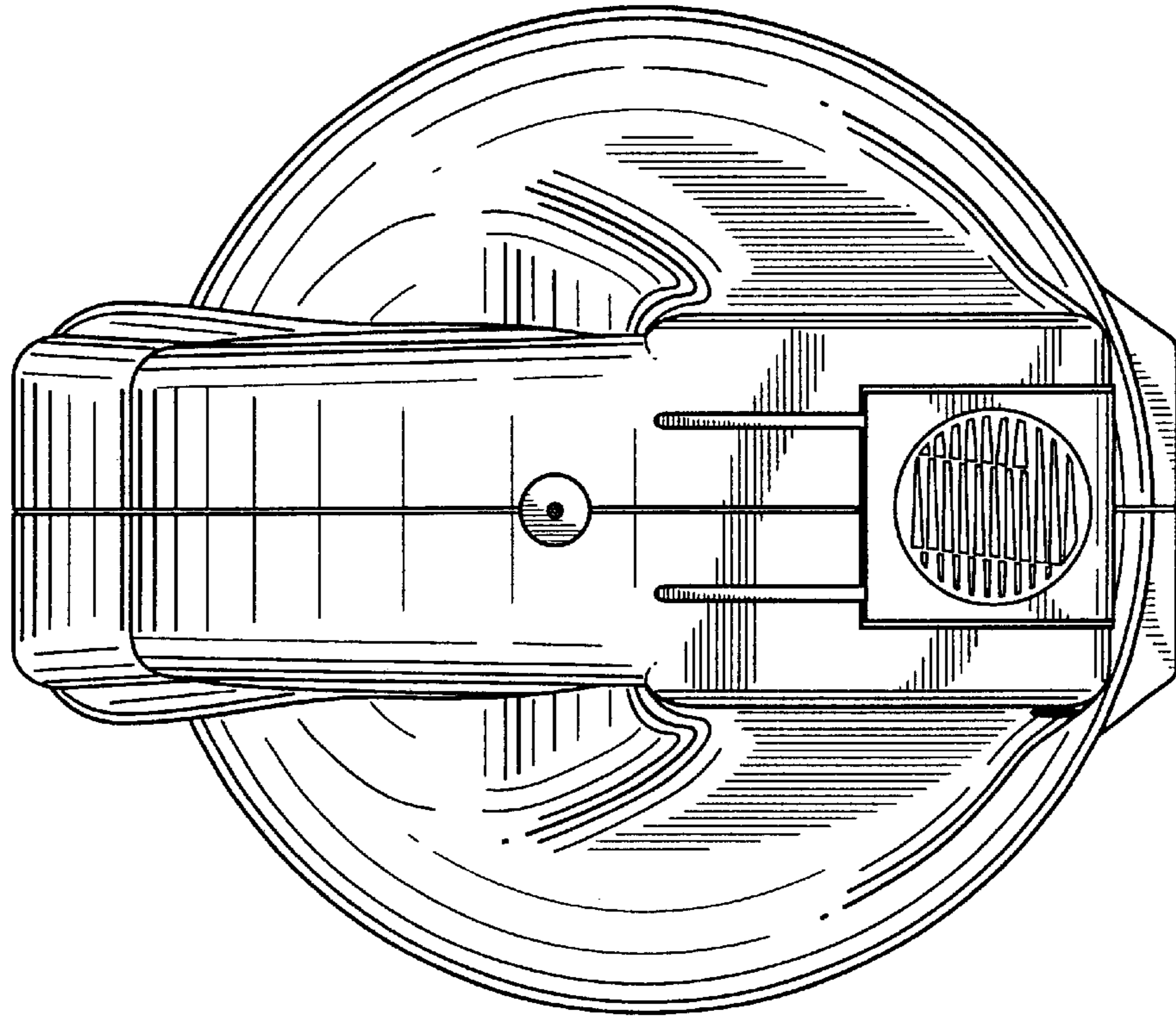


FIG. 11

