



US00D445517S

(12) **United States Design Patent**
McGill et al.

(10) **Patent No.:** **US D445,517 S**

(45) **Date of Patent:** **** Jul. 24, 2001**

(54) **HEADLIGHT FOR A CARPET EXTRACTOR**

(75) Inventors: **James A. McGill**, Canton; **Kevin S. Waltz**, Massillon, both of OH (US)

(73) Assignee: **The Hoover Company**, North Canton, OH (US)

(**) Term: **14 Years**

(21) Appl. No.: **29/135,757**

(22) Filed: **Jan. 18, 2001**

(51) **LOC (7) Cl.** **26-06**

(52) **U.S. Cl.** **D26/28**

(58) **Field of Search** D26/28-36; 362/61,
362/80.1, 80, 81, 82, 83, 83.2, 83.3, 227,
235, 236, 240, 243, 362

(56) **References Cited**

U.S. PATENT DOCUMENTS

- D. 370,284 * 5/1996 Farchione D26/28
- D. 415,296 * 10/1999 Gavin D26/28
- D. 419,249 * 1/2000 Ford et al. D26/28

* cited by examiner

Primary Examiner—Marcus A. Jackson

(74) *Attorney, Agent, or Firm*—A. Burgess Lowe; Brett A. Schenck

(57) **CLAIM**

The ornamental design of a headlight for a carpet extractor, as shown and described.

DESCRIPTION

FIG. 1 is a perspective view showing a first embodiment of my new ornamental design for a headlight for a carpet extractor;

FIG. 2 is a front elevational view thereof;

FIG. 3 is a top elevational view thereof; and

FIG. 4 is a right side elevational view thereof, the left side being a mirror image.

FIG. 5 is a perspective view of an alternate embodiment of the headlight for a carpet extractor shown in FIG. 1;

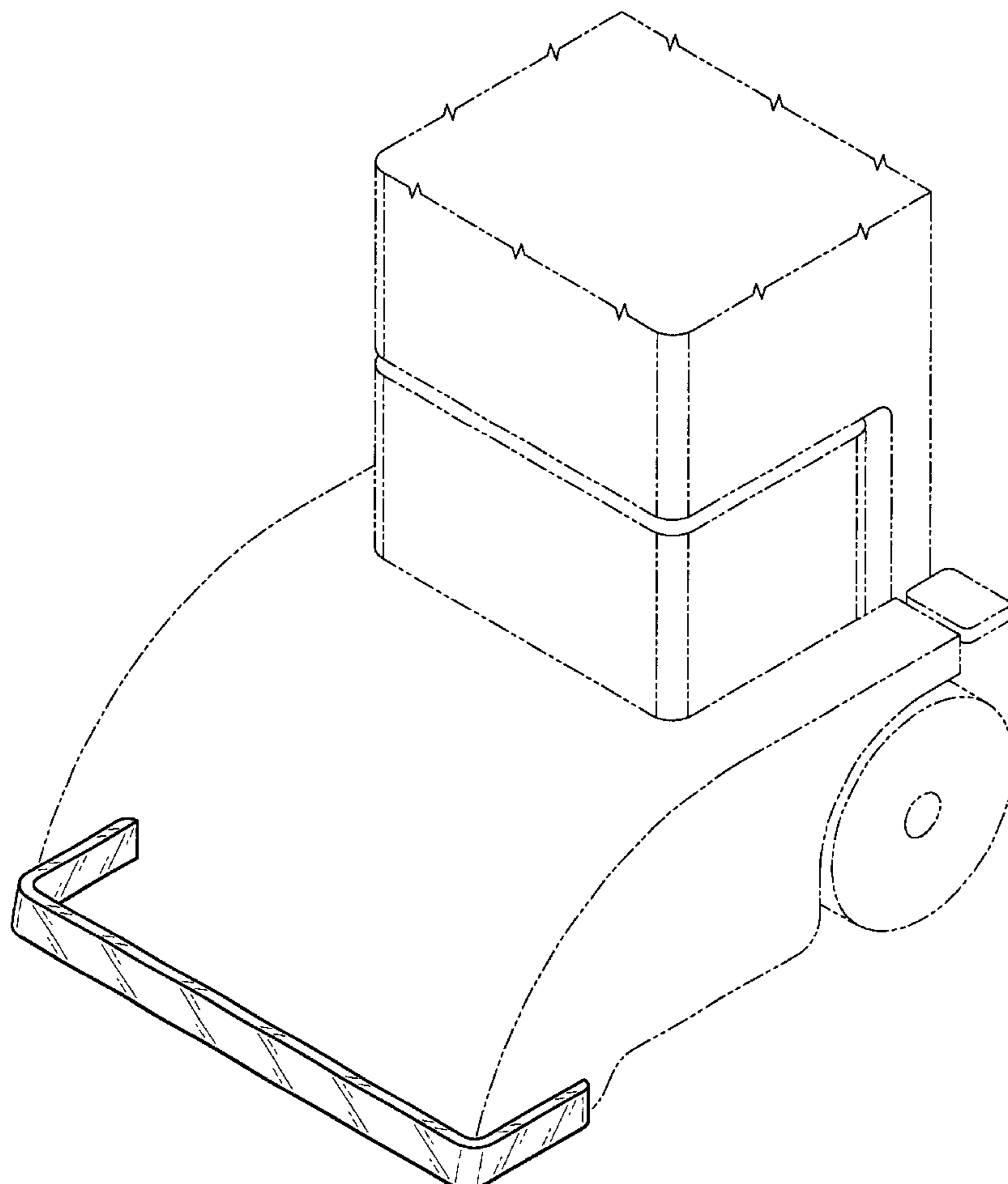
FIG. 6 is a front view thereof;

FIG. 7 is a top view thereof; and,

FIG. 8 is a right side elevational view thereof, the left side being a mirror image.

The details shown in broken lines are shown for illustrative purposes only and form no part of the claimed design.

1 Claim, 6 Drawing Sheets



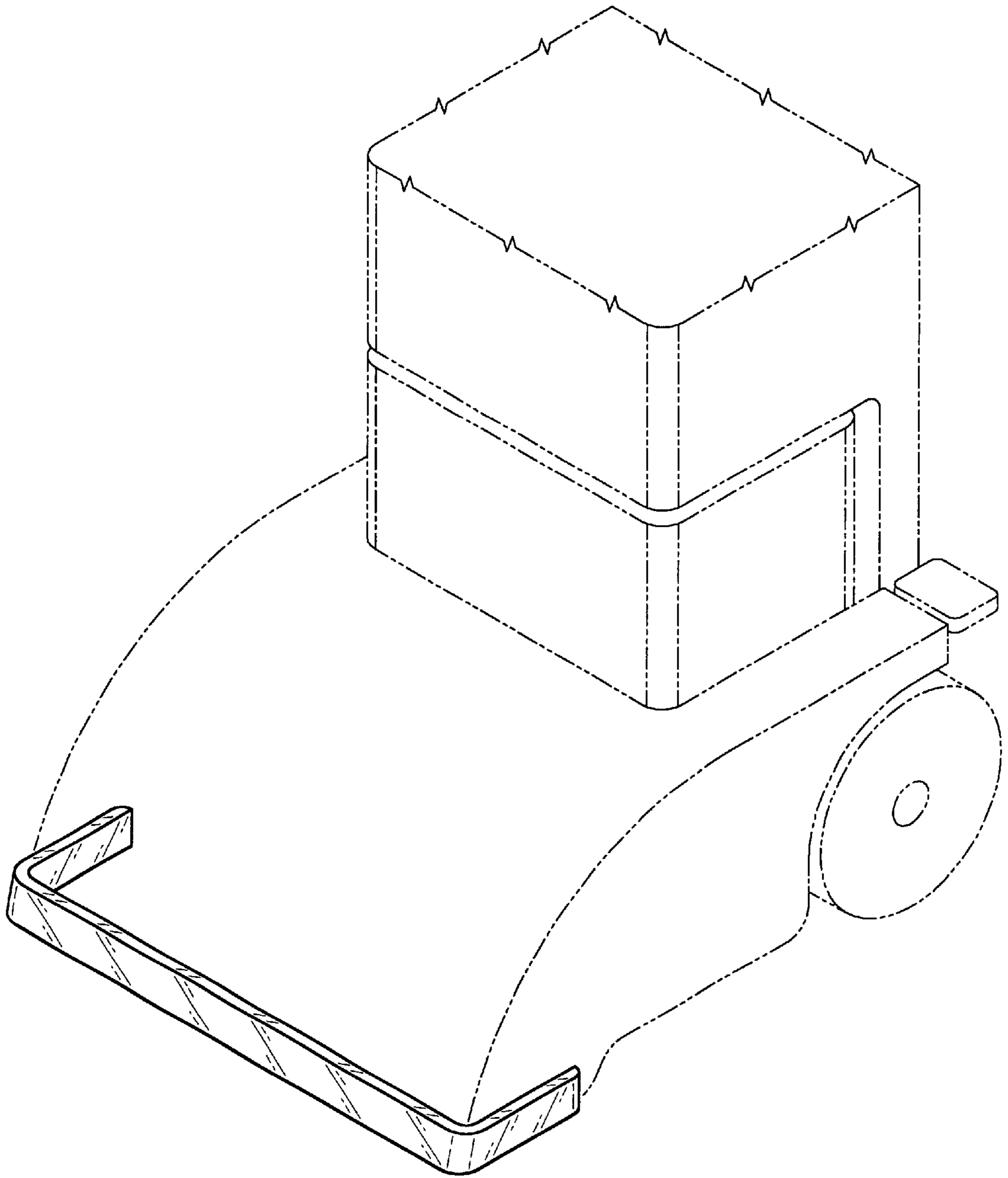


FIG-1

FIG-2

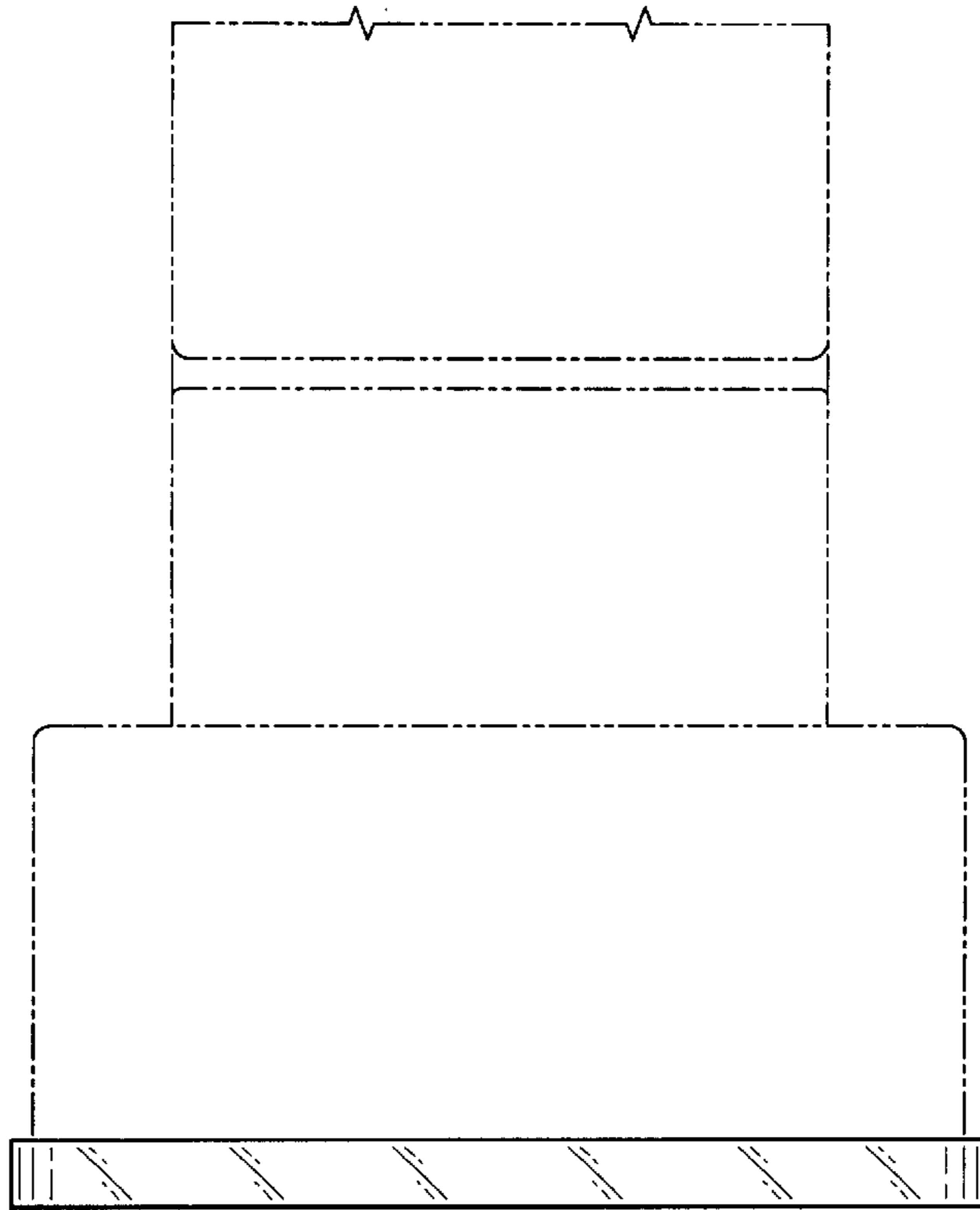


FIG-3

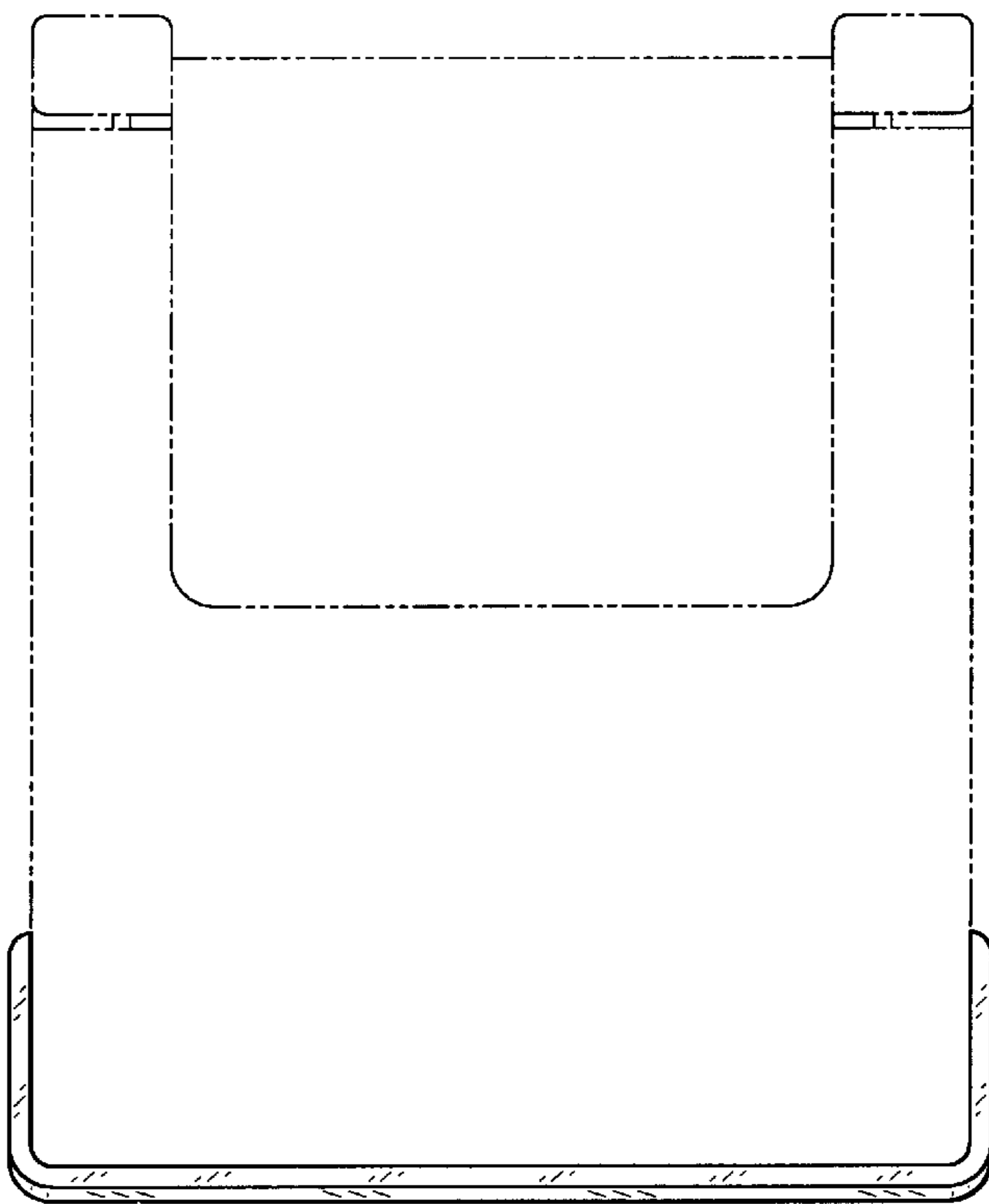
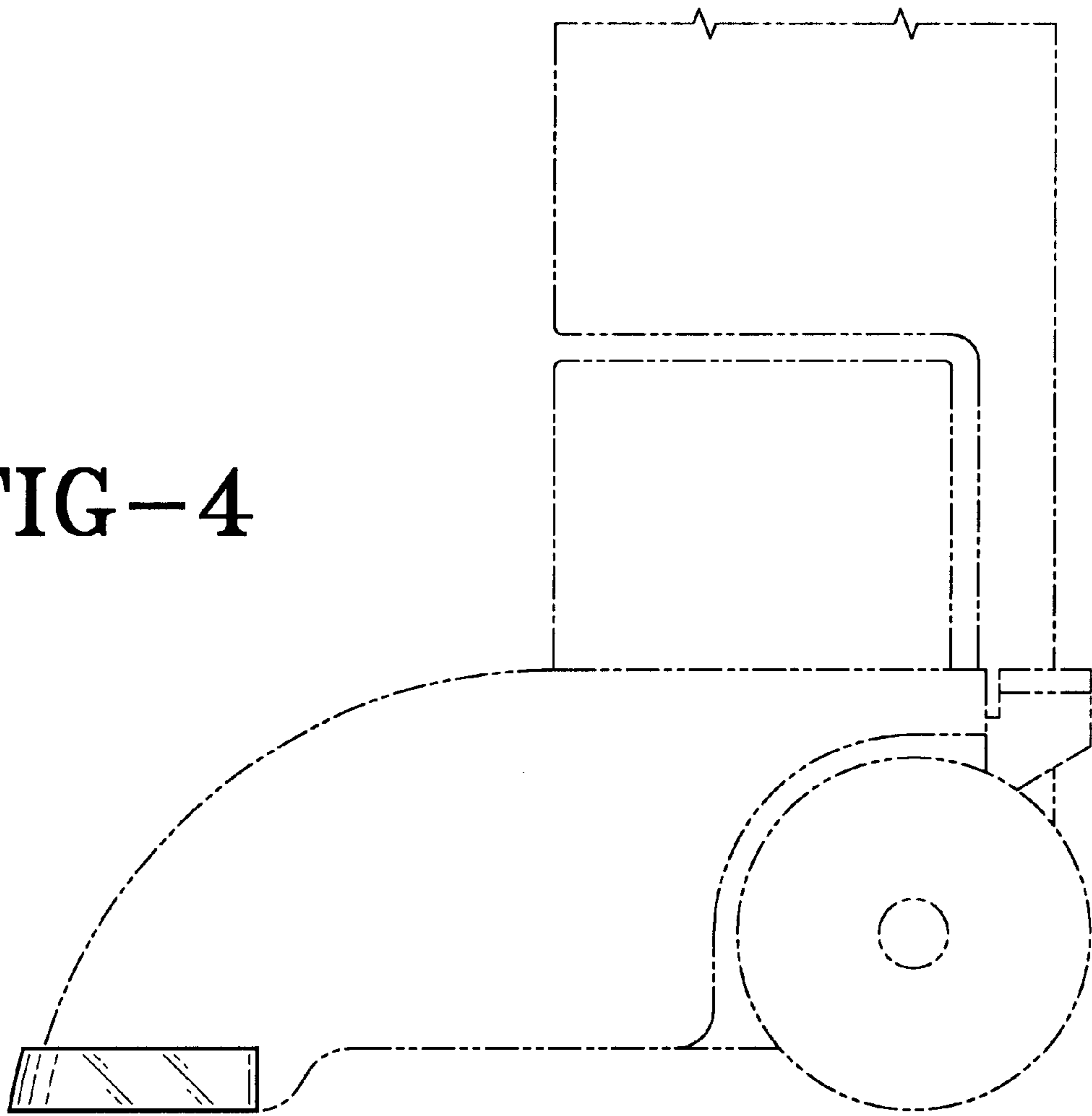


FIG-4



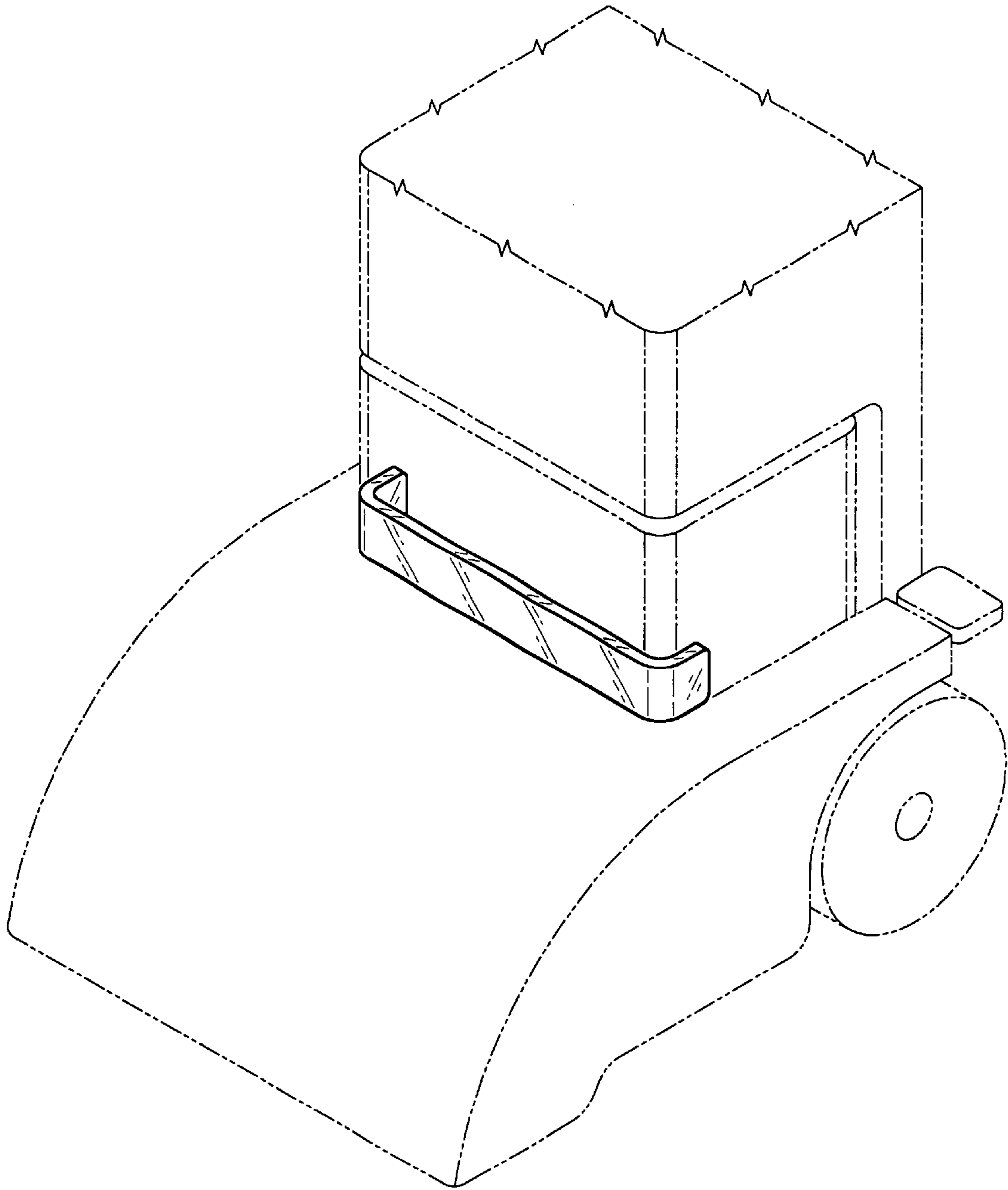


FIG-5

FIG-6

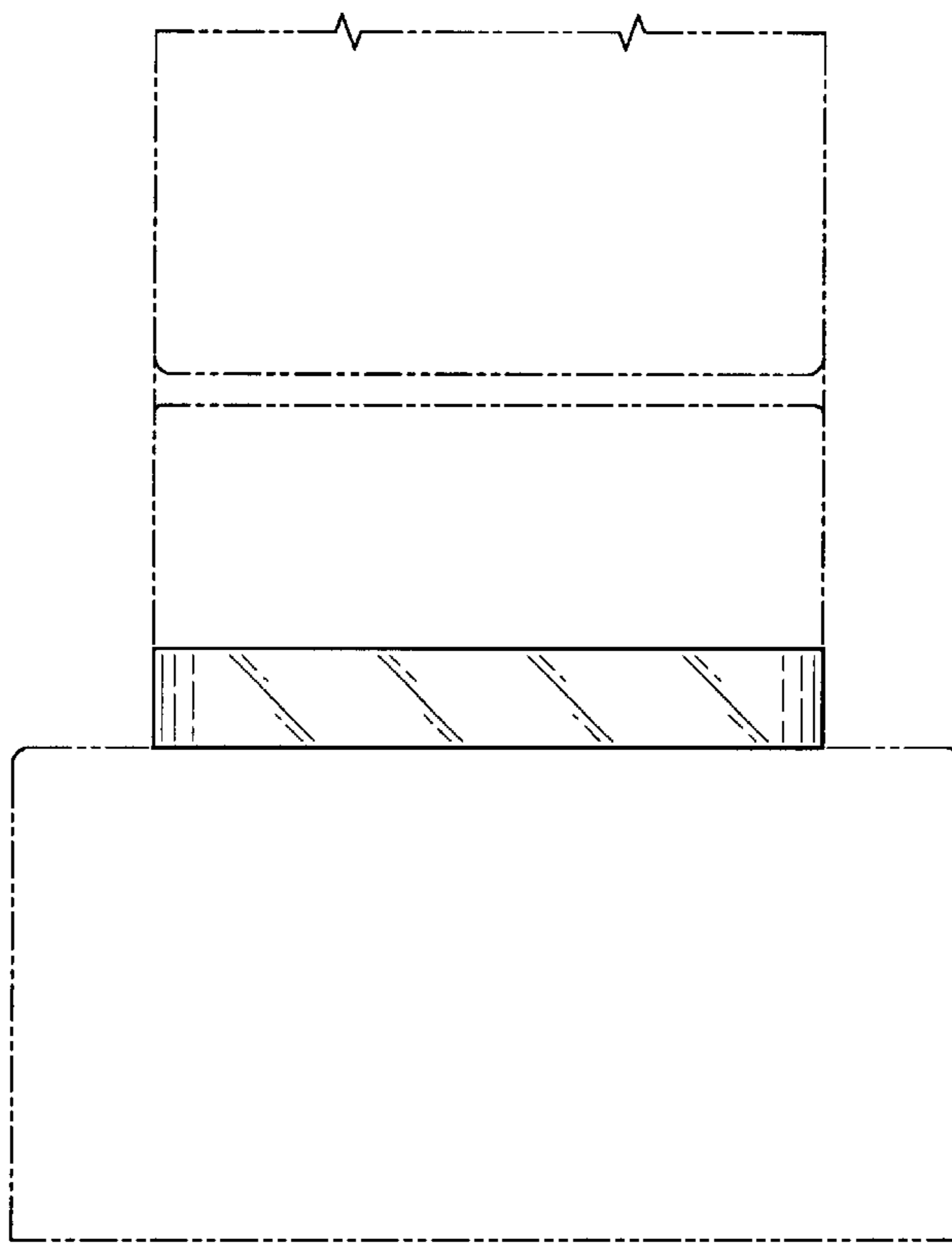


FIG-7

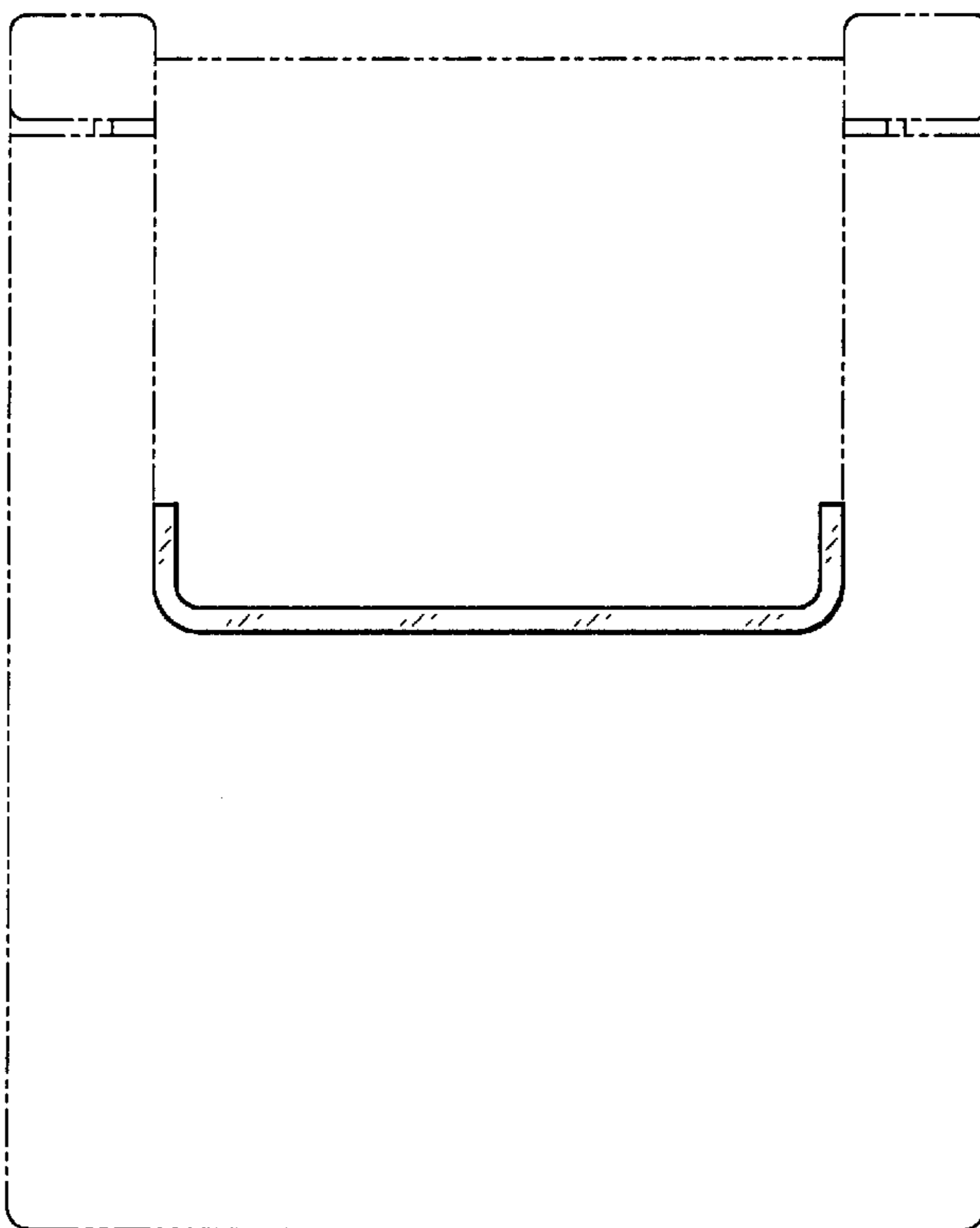


FIG-8

