



US00D445515S

(12) **United States Design Patent**
Stage et al.

(10) **Patent No.:** **US D445,515 S**

(45) **Date of Patent:** **** Jul. 24, 2001**

(54) **RACE CAR PARTY LIGHTS**

(75) Inventors: **Todd A. Stage**, London; **Craig R. Steinfeld**, Columbus, both of OH (US)

(73) Assignee: **Sportec Products Co.**, Dublin, OH (US)

(**) Term: **14 Years**

(21) Appl. No.: **29/129,008**

(22) Filed: **Sep. 1, 2000**

(51) **LOC (7) Cl.** **26-04**

(52) **U.S. Cl.** **D26/25**

(58) **Field of Search** D26/25, 24, 73, D26/97; 362/806, 800, 811, 240, 249, 250, 252; D11/112, 138, 163

(56) **References Cited**

U.S. PATENT DOCUMENTS

- D. 210,029 * 1/1968 Morandozzo D11/112
- D. 337,836 * 7/1993 Johnson D26/25
- D. 374,293 * 10/1996 Streger et al. D26/25
- D. 411,319 * 6/1999 Baker D26/25
- D. 433,169 * 10/2000 Sullivan D26/25

D. 435,921 * 1/2001 Braley et al. D26/25

* cited by examiner

Primary Examiner—Cynthia E. Ramirez

(74) *Attorney, Agent, or Firm*—James R. Eley; Arter & Hadden LLP

(57) **CLAIM**

We claim the ornamental design for race car party lights, as shown.

DESCRIPTION

FIG. 1 is a perspective view of the race car party lights according to the present invention;

FIG. 2 is a left side elevational view of the race car party lights of FIG. 1;

FIG. 3 is a right side elevational view of the race car party lights of FIG. 1;

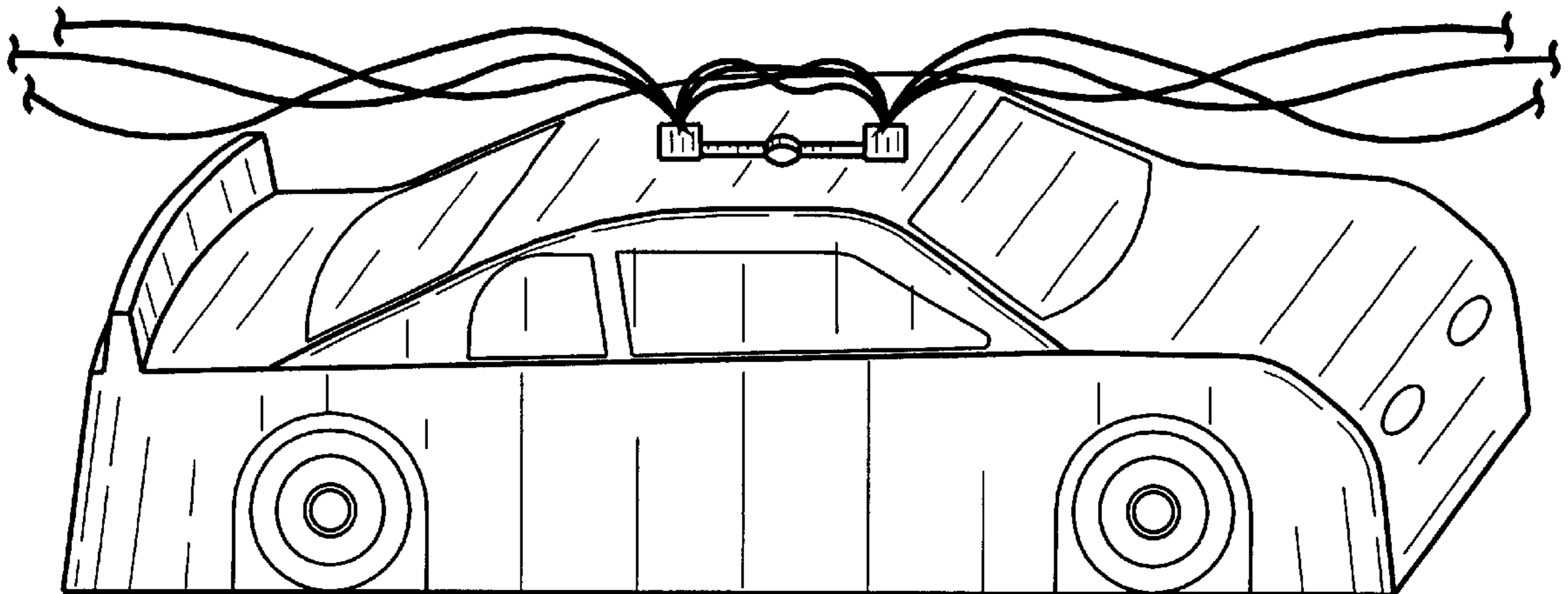
FIG. 4 is a front elevational view of the race car party lights of FIG. 1;

FIG. 5 is a back elevational view of the race car party lights of FIG. 1;

FIG. 6 is a top plan view of the race car party lights of FIG. 1; and,

FIG. 7 is a bottom plan view of the race car party lights of FIG. 1.

1 Claim, 4 Drawing Sheets



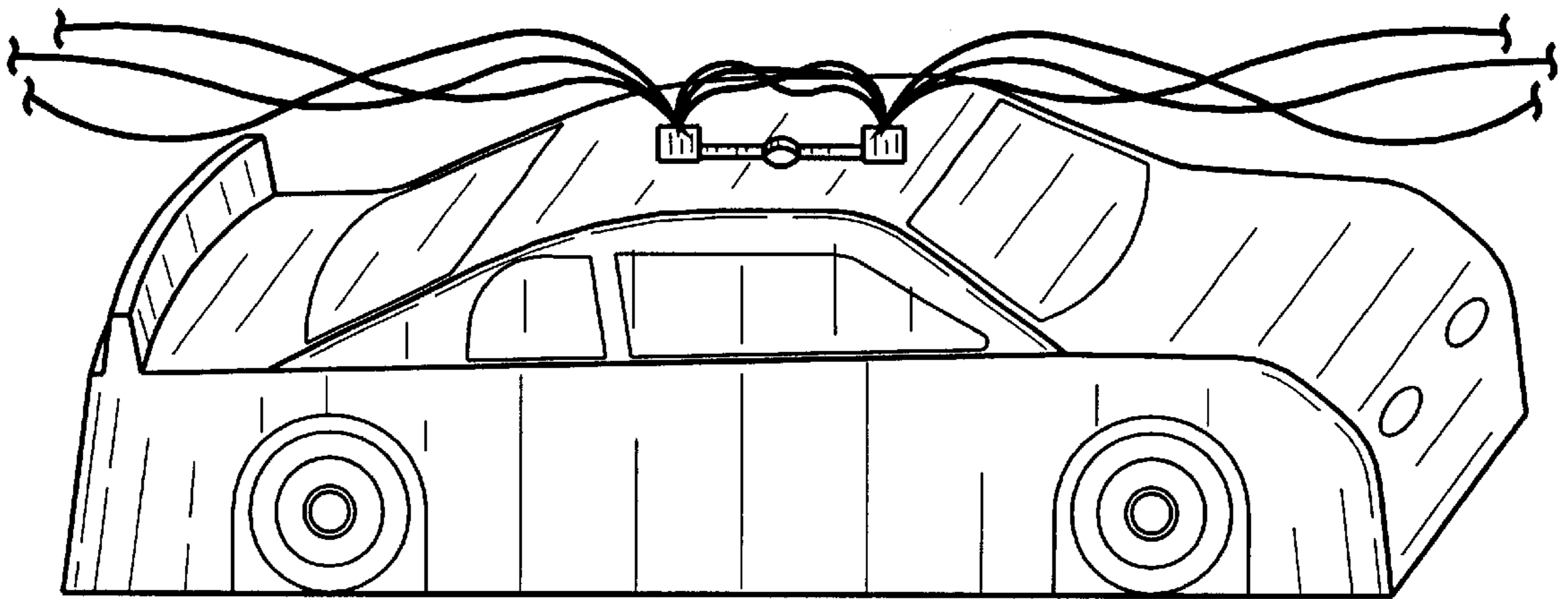


Fig. 1

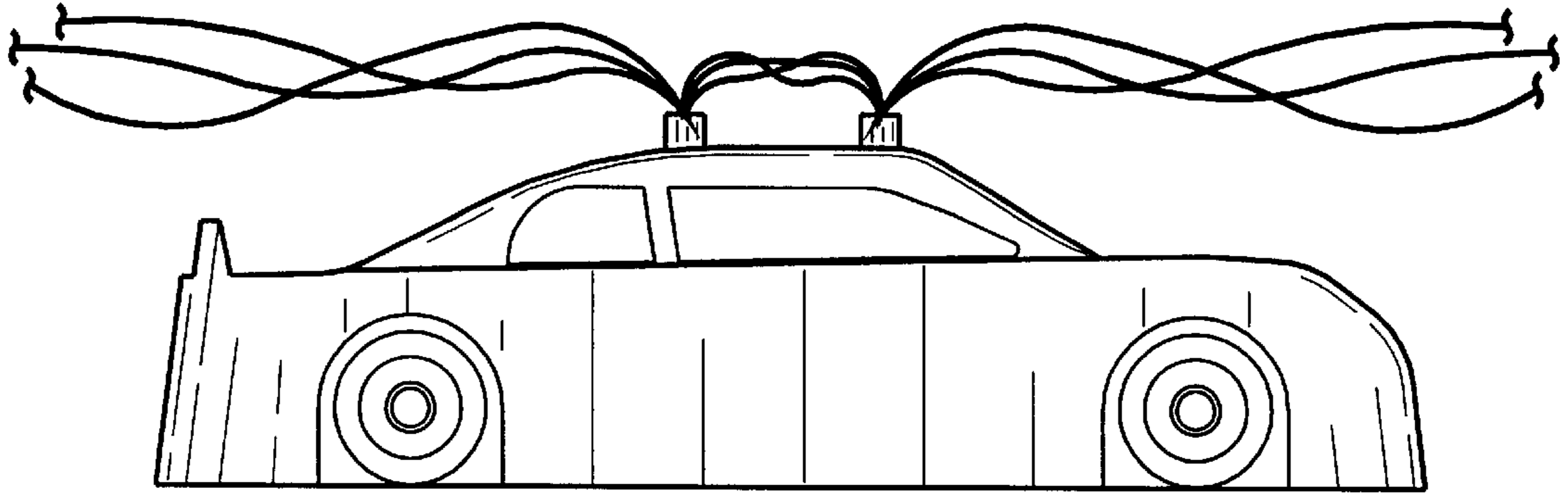


Fig. 2

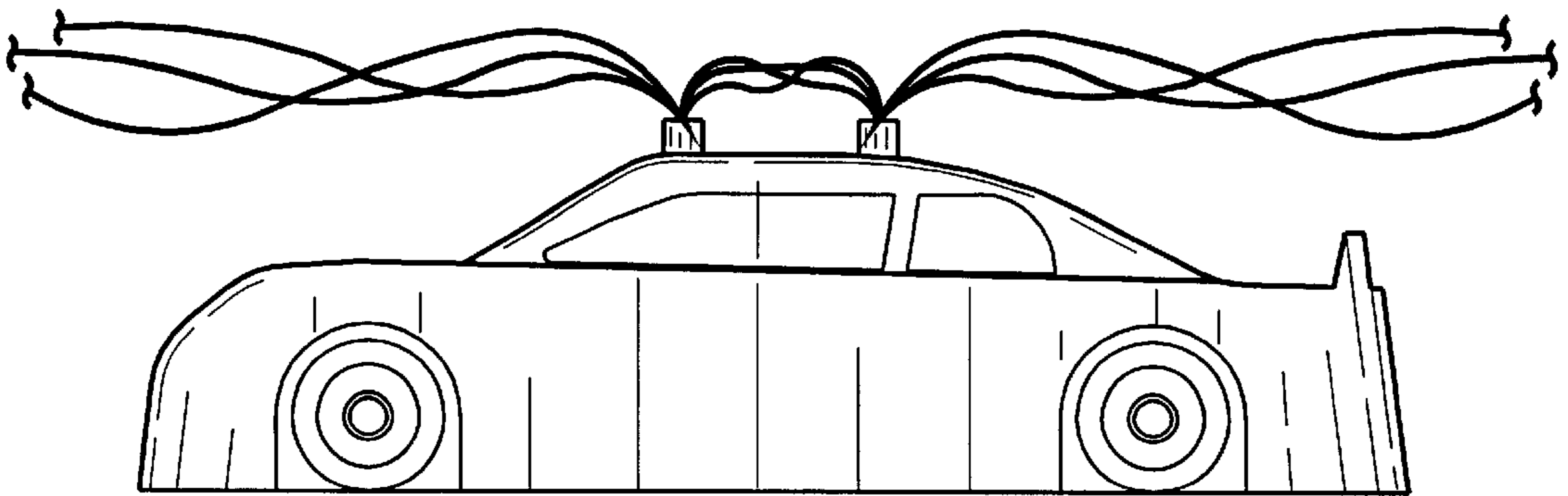


Fig. 3

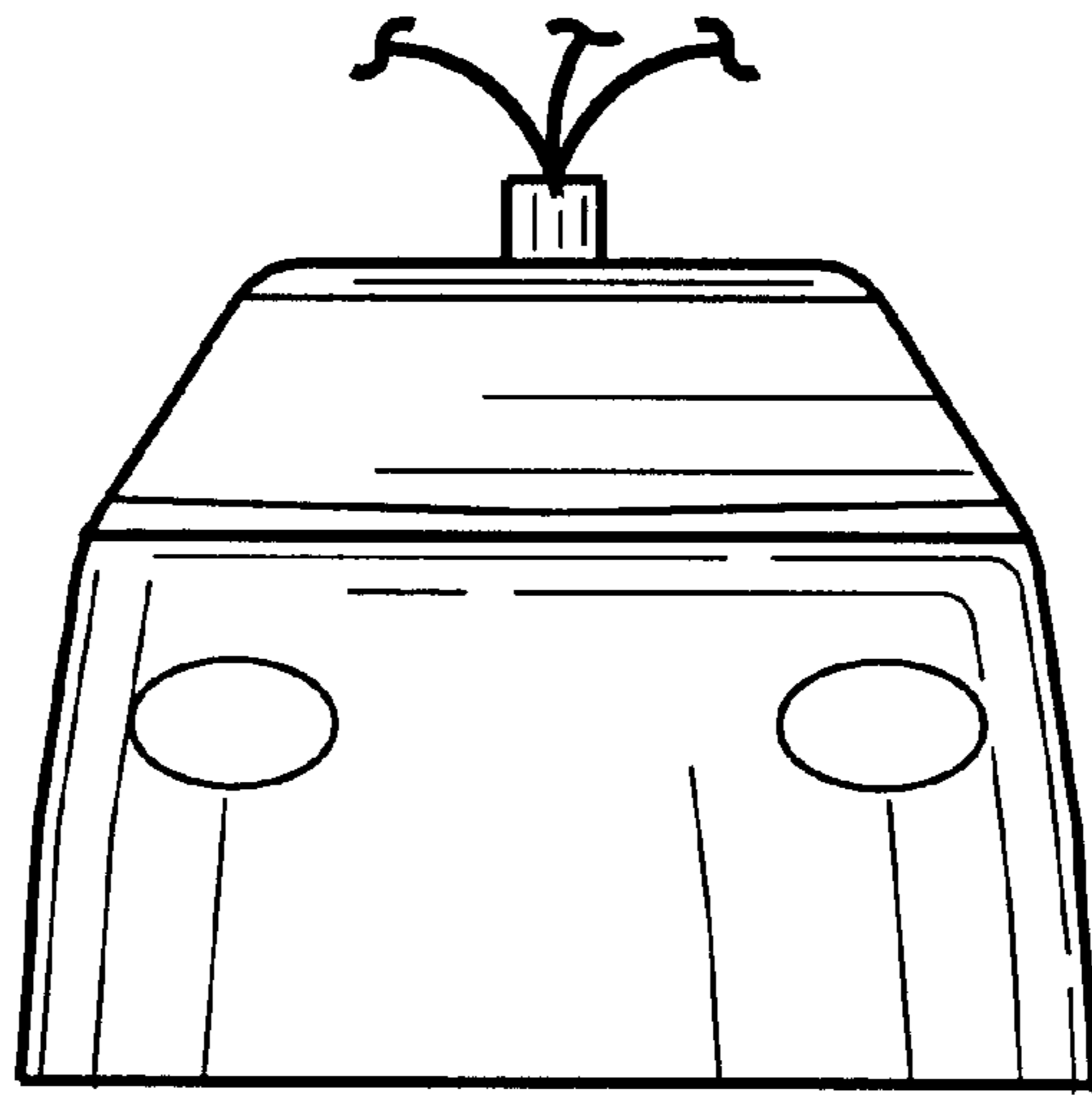


Fig. 4

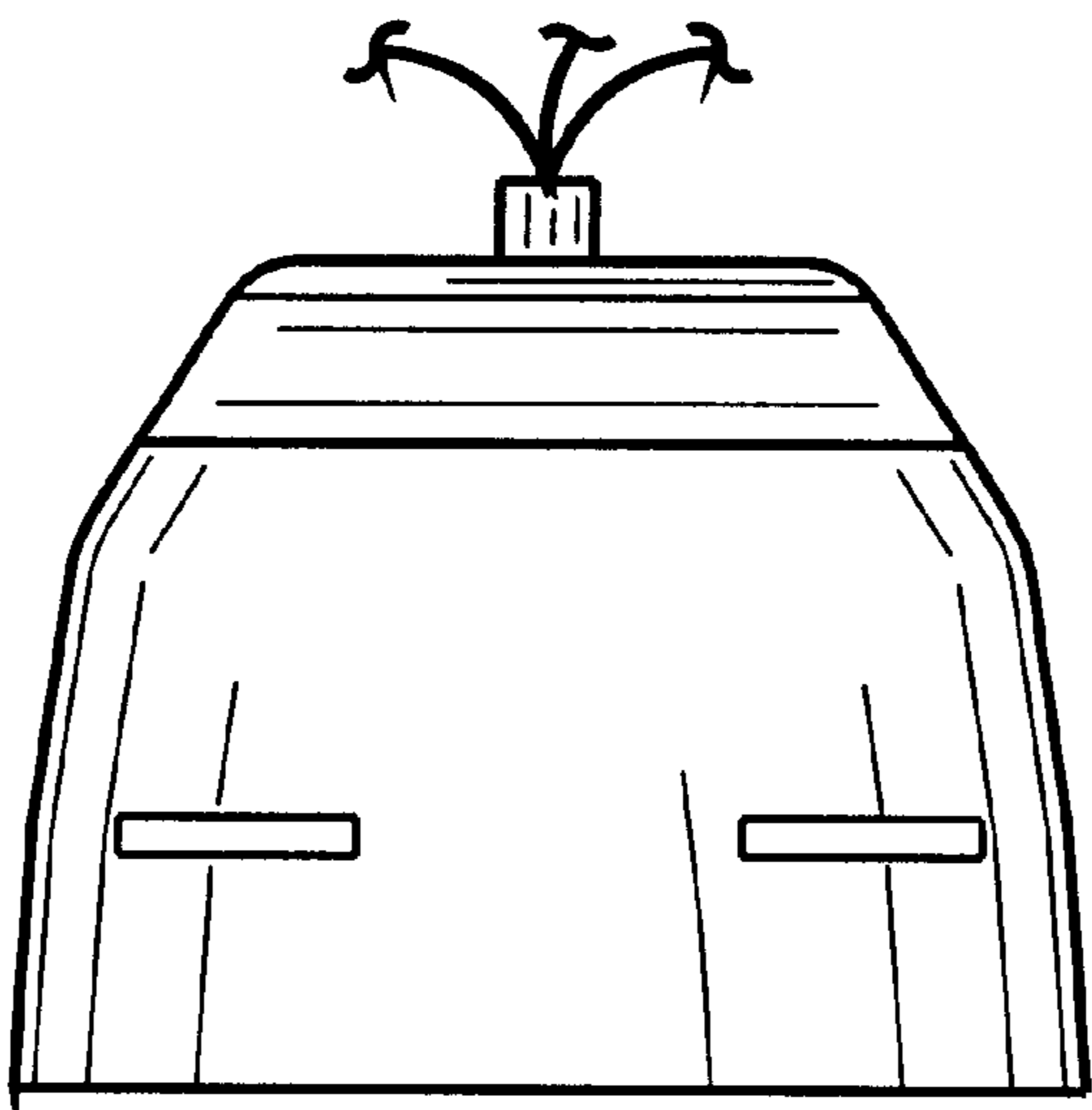


Fig. 5

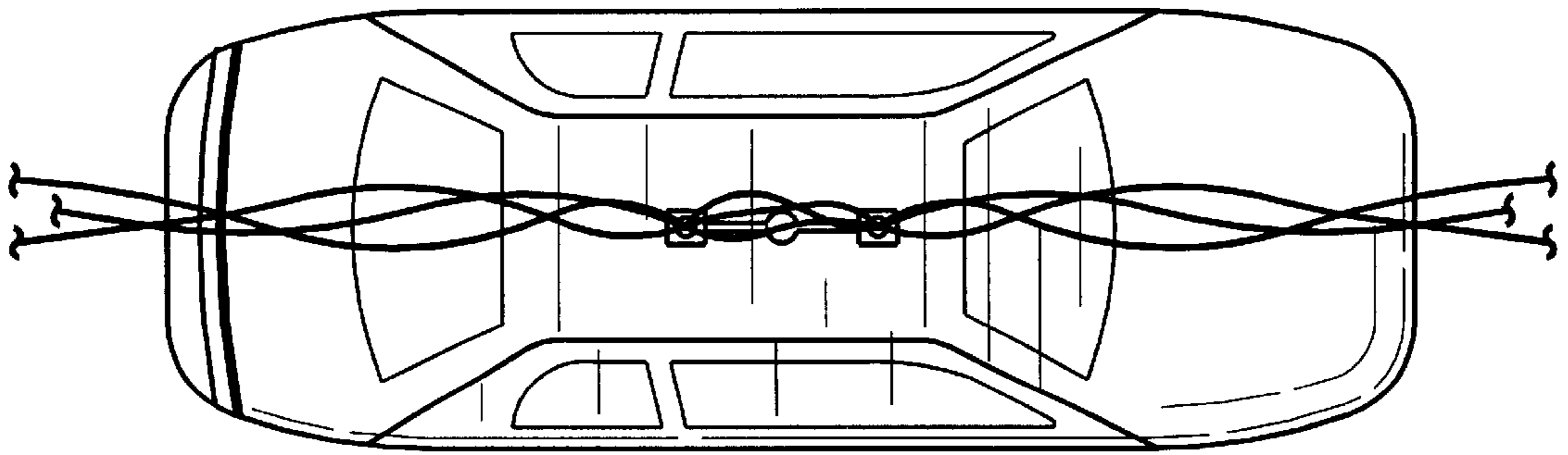


Fig. 6

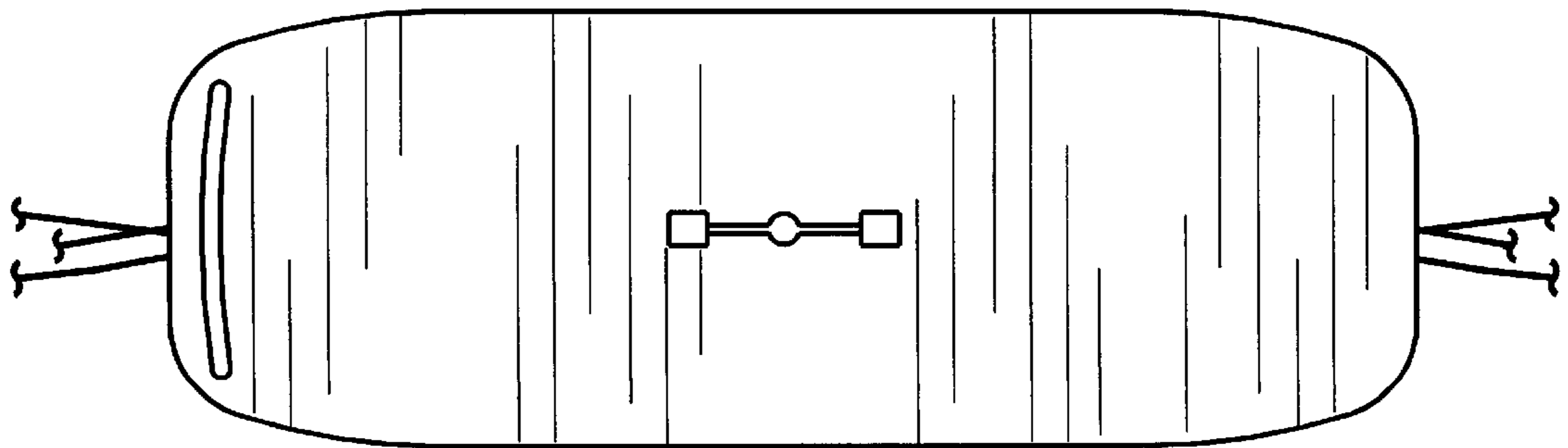


Fig. 7