



US00D445511S

(12) **United States Design Patent**
Gabriele

(10) **Patent No.:** **US D445,511 S**

(45) **Date of Patent:** **** Jul. 24, 2001**

(54) **HANDLED SHUTTER CROSSBEAM**

2,422,085 * 6/1947 Etling 160/104

(75) Inventor: **Angelo Gabriele**, Woodbridge (CA)

* cited by examiner

(73) Assignee: **Vinylbilt Shutter Systems Inc.**,
Concord (CA)

Primary Examiner—Doris Clark

(**) Term: **14 Years**

(57) **CLAIM**

(21) Appl. No.: **29/127,021**

The ornamental design for a handled shutter crossbeam, as shown and described.

(22) Filed: **Jul. 31, 2000**

(51) **LOC (7) Cl.** **25-02**

(52) **U.S. Cl.** **D25/49**

(58) **Field of Search** D25/122, 49, 60;
52/473, 656.7; 160/104, 371

DESCRIPTION

FIG. 1 is a perspective view of the handled shutter crossbeam; and,

FIG. 2 is an end view of the handled shutter crossbeam.

(56) **References Cited**

U.S. PATENT DOCUMENTS

D. 414,877 * 5/1999 Meshulam D25/49

1 Claim, 1 Drawing Sheet

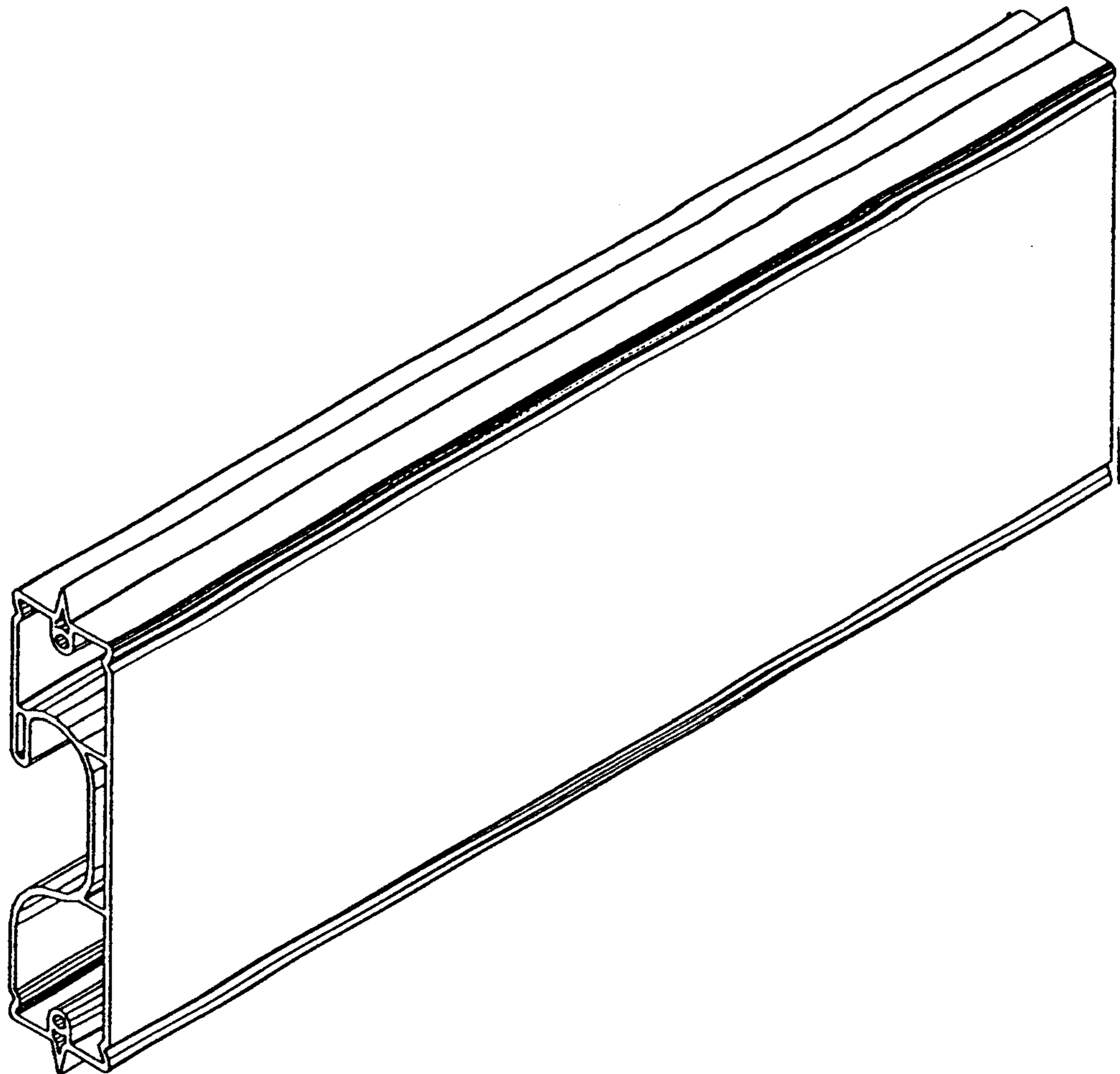


Fig. 1

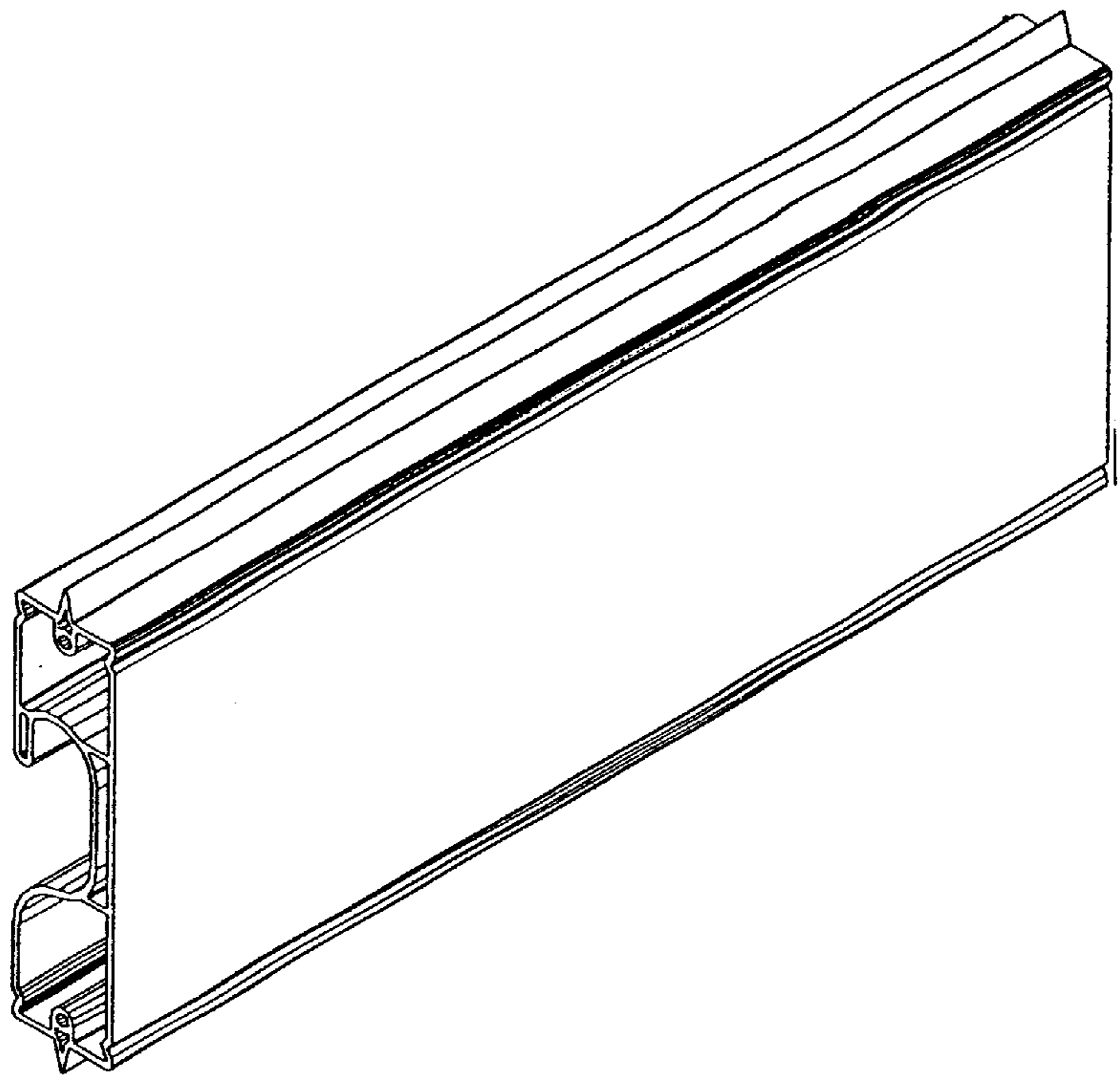


FIG. 2

