



US00D445509S

(12) **United States Design Patent**  
**Berndt et al.**

(10) **Patent No.:** **US D445,509 S**

(45) **Date of Patent:** **\*\* Jul. 24, 2001**

(54) **INSTRUMENT CASE**

(75) Inventors: **Manfred Berndt**, Waldbronn; **Raoul Dinter**, Baden-Baden; **Mark Goellner**, Wolfsburg, all of (DE)

(73) Assignee: **Agilent Technologies, Inc.**, Santa Clara, CA (US)

(\*\*) Term: **14 Years**

(21) Appl. No.: **29/118,843**

(22) Filed: **Feb. 17, 2000**

(30) **Foreign Application Priority Data**

Aug. 26, 1999 (DE) ..... 4 99 08 096

(51) **LOC (7) Cl.** ..... **24-01**

(52) **U.S. Cl.** ..... **D24/232; D24/231**

(58) **Field of Search** ..... D24/231, 232, D24/186, 185; D10/81; 422/65, 66, 64, 62, 82.05, 50

(56) **References Cited**

**U.S. PATENT DOCUMENTS**

D. 351,469 \* 10/1994 Okamoto et al. .... D24/169

D. 418,596 \* 1/2000 Doms et al. .... D24/107  
D. 421,653 \* 3/2000 Purcell ..... D24/231

\* cited by examiner

*Primary Examiner*—Ian Simmons

(57) **CLAIM**

I claim the ornamental design for an instrument case, as shown and described.

**DESCRIPTION**

FIG. 1 is a top, right side perspective view of an instrument case, with an access hatch closed, showing my new design; FIG. 2 is a top plan view of the instrument case of FIG. 1; FIG. 3 is a right side elevational view of the instrument case of FIG. 1, with the left side elevational view being an identical mirror image thereof; FIG. 4 is a front elevational view of the instrument case of FIG. 1; FIG. 5 is a rear elevational view of the instrument case of FIG. 1; FIG. 6 is a bottom plan view of the instrument case of FIG. 1; and, FIG. 7 is a top, right side perspective view of the instrument case of FIG. 1, with the access hatch open.

**1 Claim, 3 Drawing Sheets**

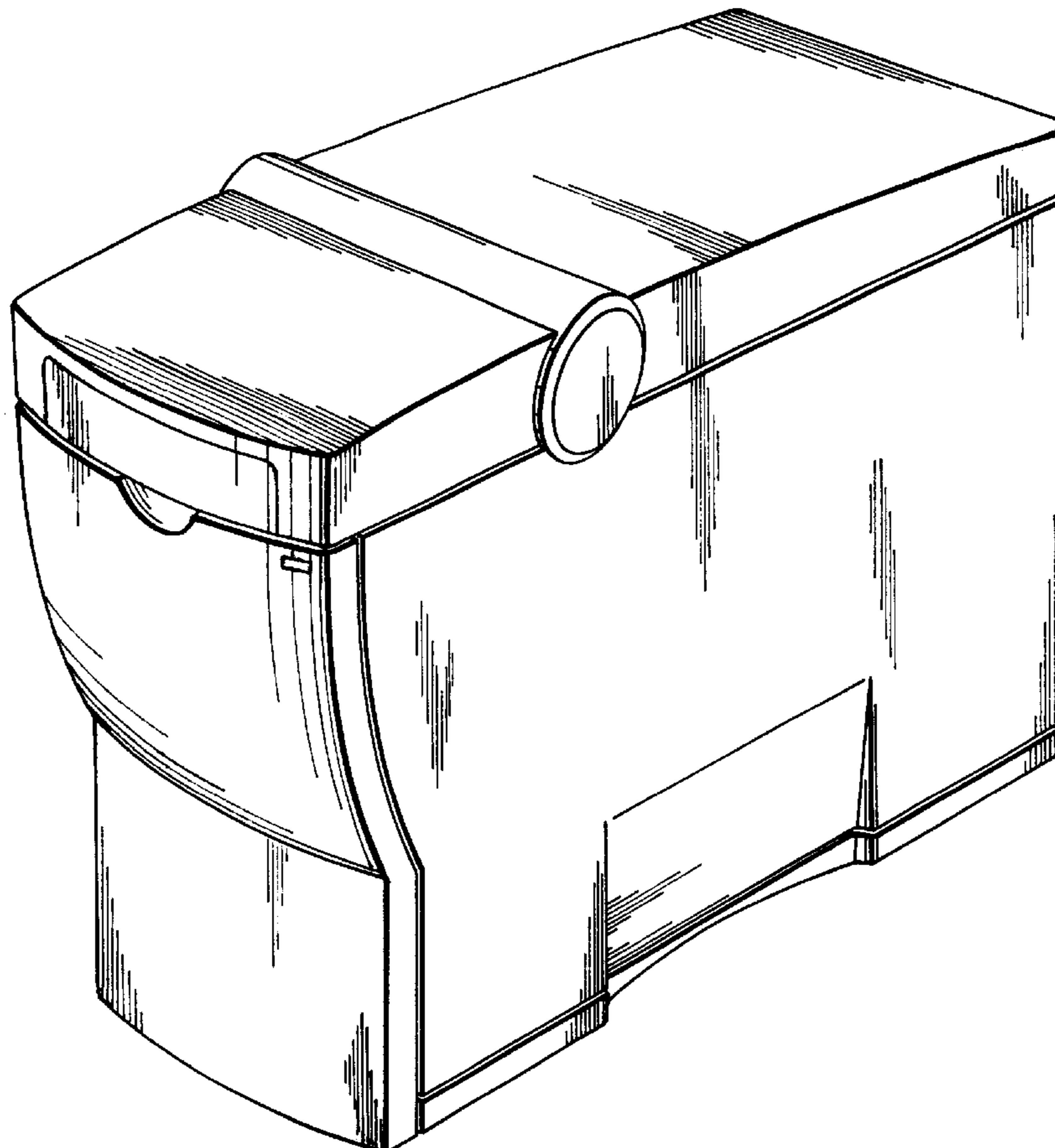


FIG. 1.

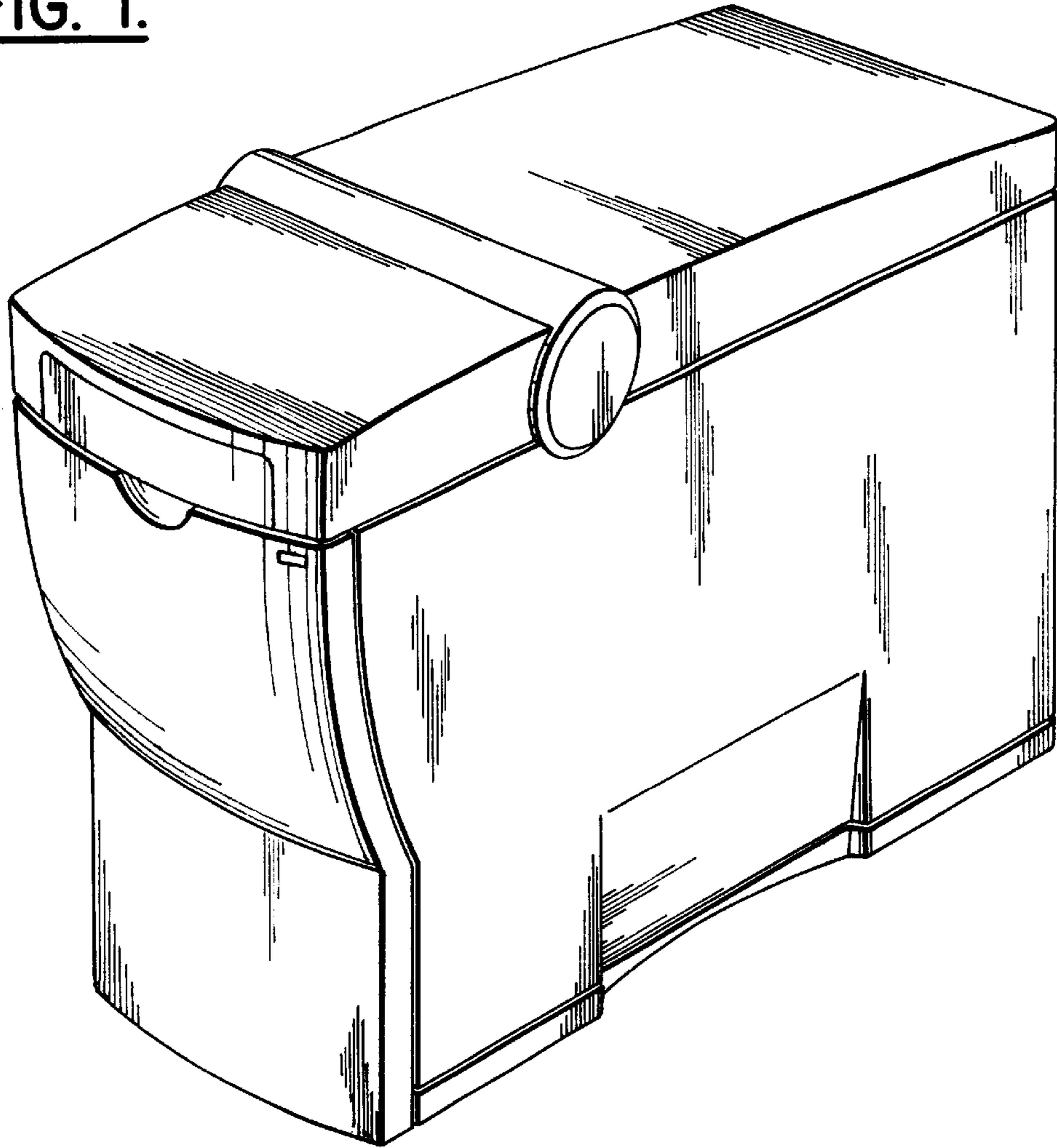


FIG. 2.

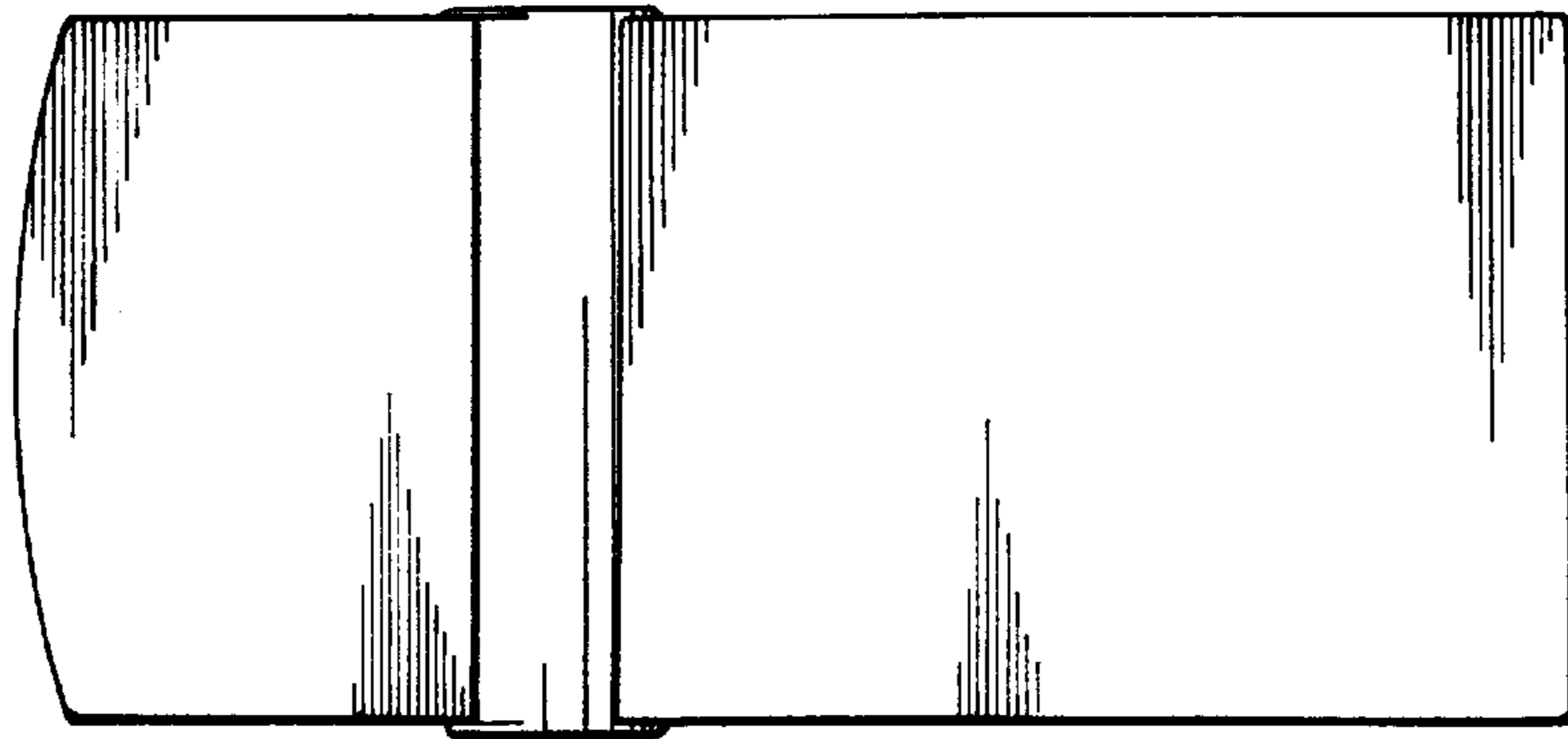


FIG. 3.

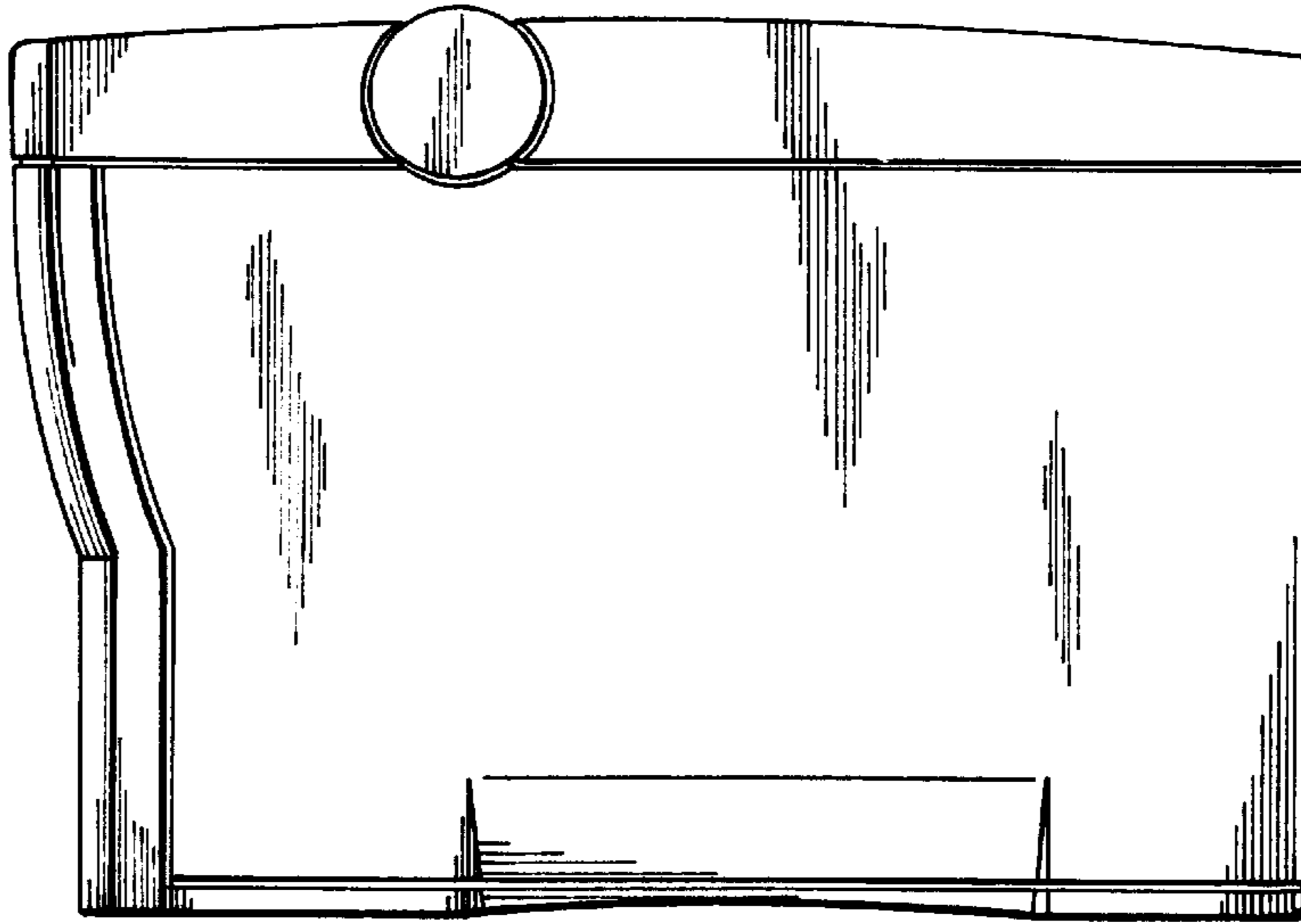


FIG. 4.

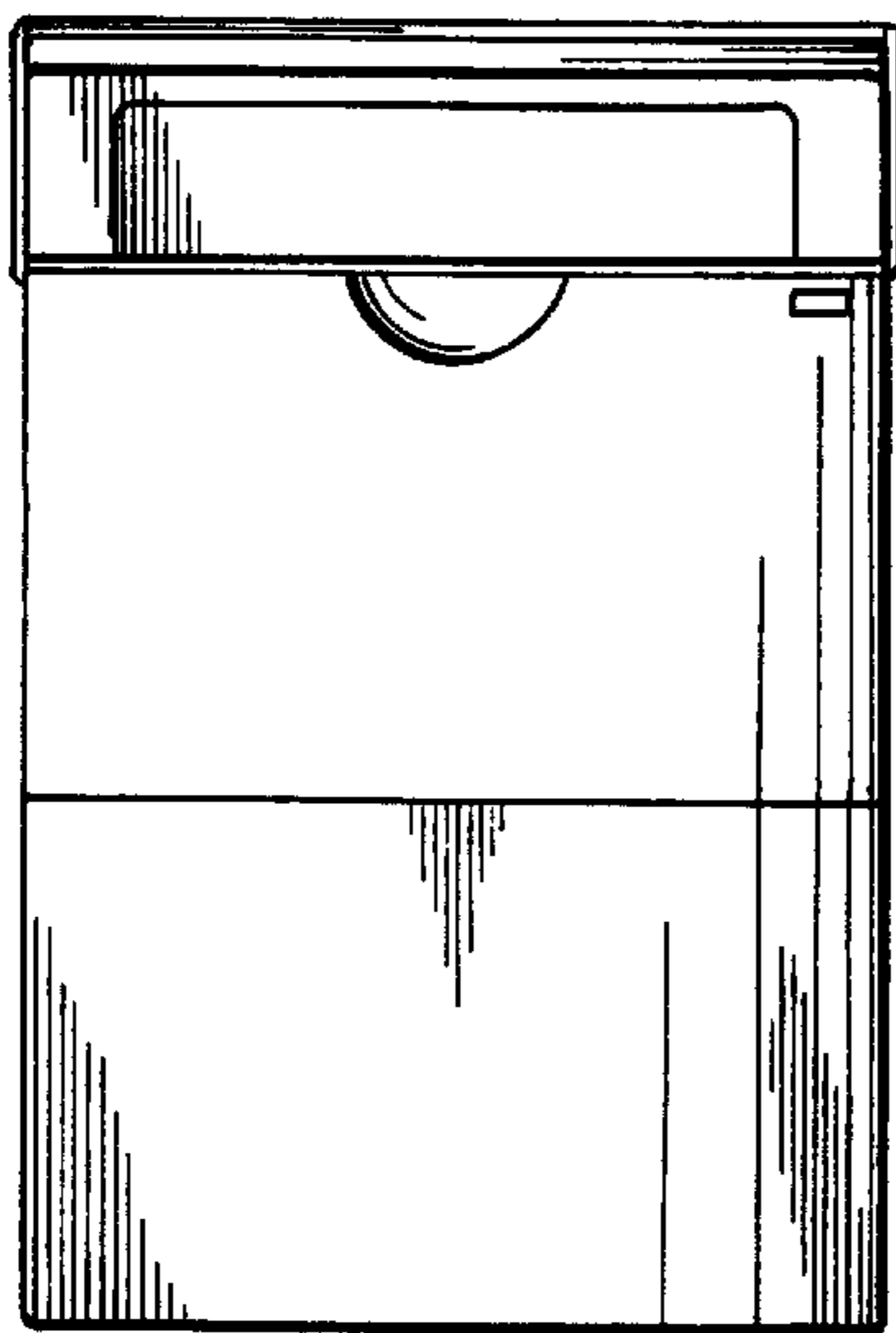


FIG. 5.

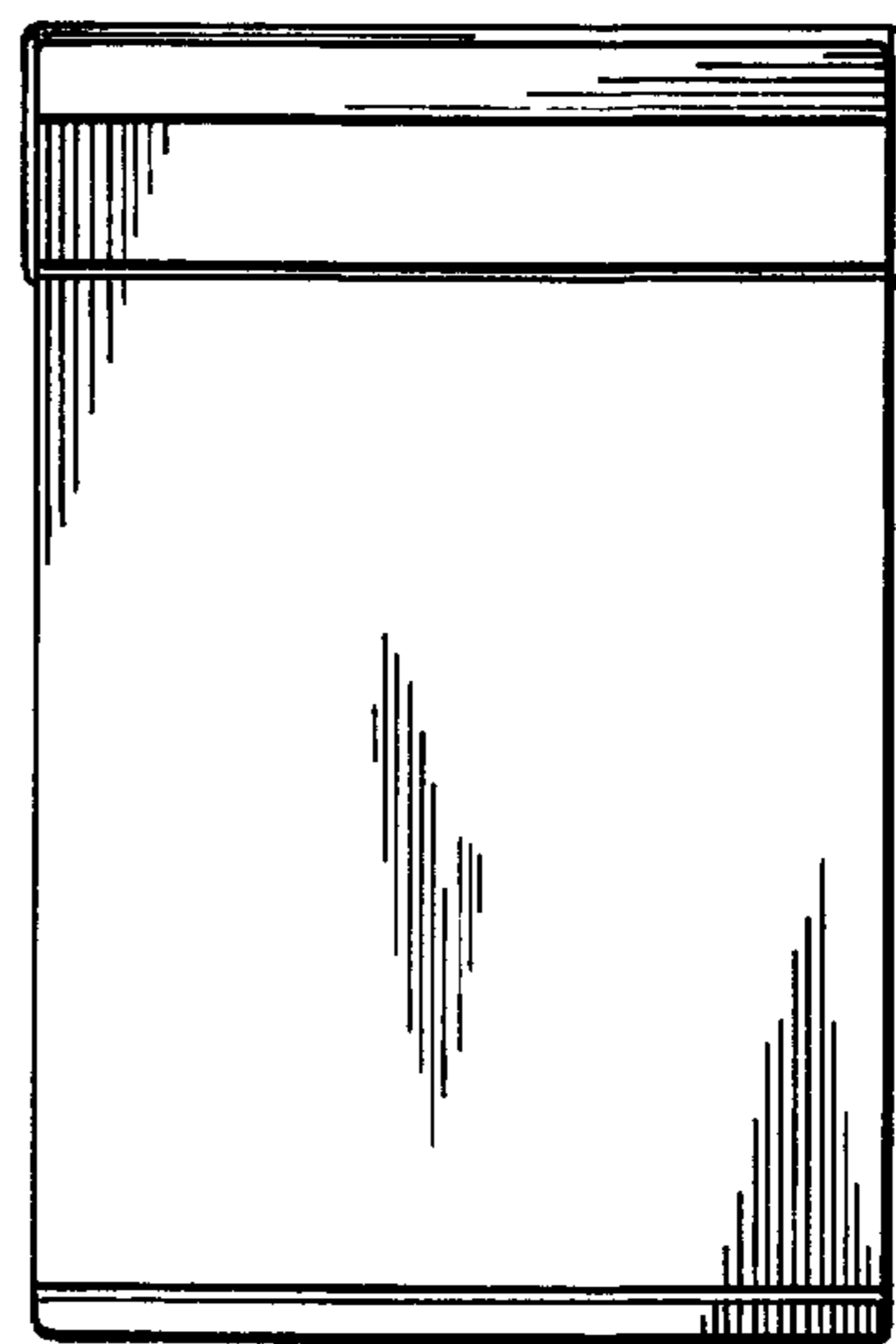


FIG. 6.

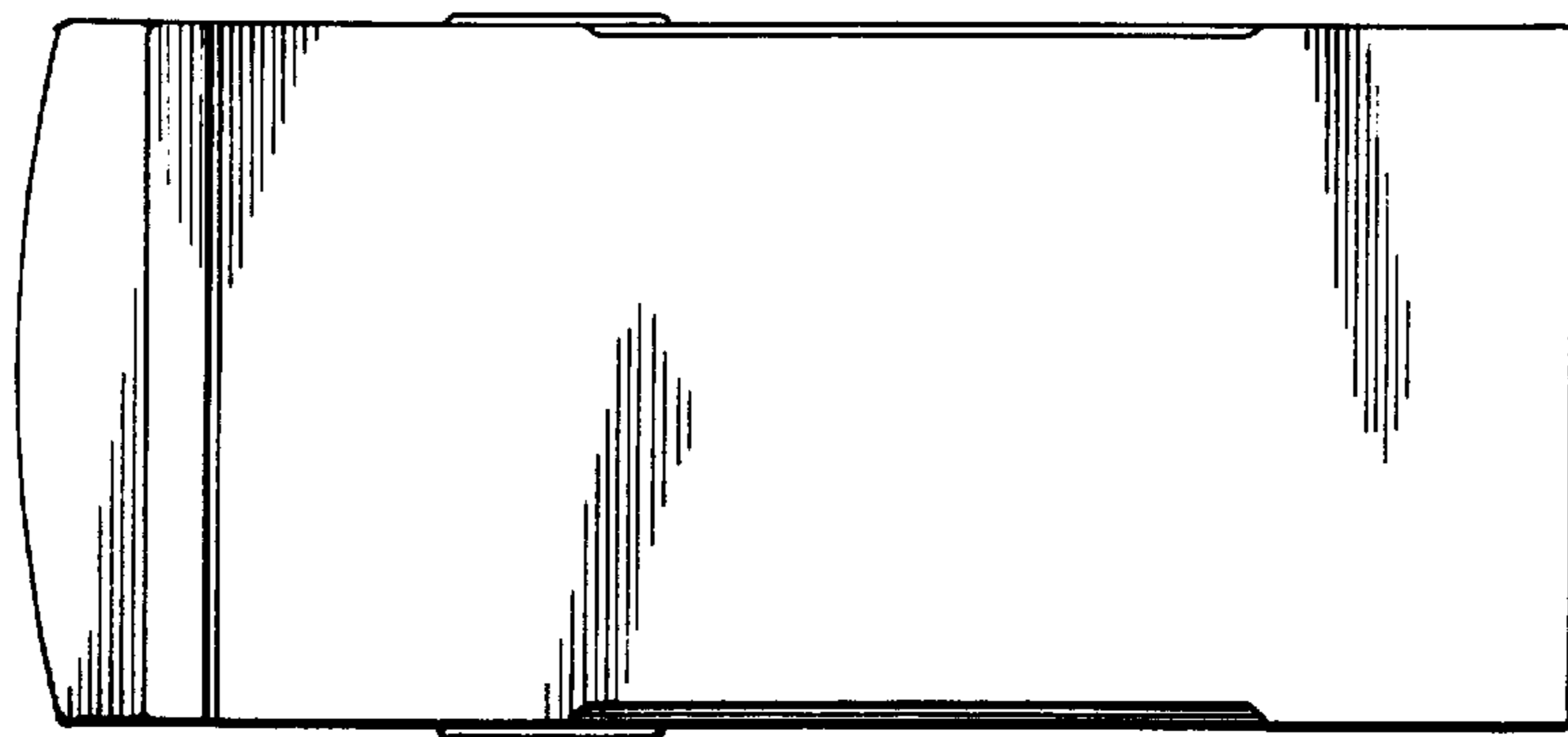


FIG. 7.

