



US00D445490S

(12) **United States Design Patent**
Ferrer Beltrán

(10) **Patent No.:** **US D445,490 S**

(45) **Date of Patent:** **** Jul. 24, 2001**

(54) **DUAL WASHBASINS AND FURNITURE STAND**

(75) **Inventor:** **Jose M^a Ferrer Beltrán, Bonrepos (ES)**

(73) **Assignee:** **Ibergesfer, S.L. (ES)**

(**) **Term:** **14 Years**

(21) **Appl. No.:** **29/129,016**

(22) **Filed:** **Sep. 1, 2000**

(30) **Foreign Application Priority Data**

Mar. 2, 2000 (ES) 147759

(51) **LOC (7) Cl.** **23-02**

(52) **U.S. Cl.** **D23/286**

(58) **Field of Search** D23/270-274,
D23/284-292, 293.1, 303, 308; 4/619, 630-632,
637-643; D6/206, 312, 396, 553, 559-561;
312/140.1, 228, 237, 351.3, 351.4, 351.5

(56) **References Cited**

U.S. PATENT DOCUMENTS

- D. 186,356 * 10/1959 Sporek D23/290
- D. 273,921 * 5/1984 Woolaway D6/480
- D. 279,404 * 6/1985 Hiller D23/290
- D. 329,556 * 9/1992 Brusing D6/449 X

- D. 354,120 * 1/1995 Pajetta D23/286
- D. 361,004 * 8/1995 Paus D6/480 X
- D. 406,324 * 3/1999 Johnson D23/290
- D. 414,249 * 9/1999 Welch D23/284
- 3,981,250 * 9/1976 Anthony 108/106
- 4,242,969 * 1/1981 Checkwood et al. 108/156 X

* cited by examiner

Primary Examiner—Louis S. Zarfaz

Assistant Examiner—Robert A. Delehanty

(74) *Attorney, Agent, or Firm*—Lackebach Siegel
Marzullo Aronson & Greenspan

(57) **CLAIM**

The ornamental design for a dual washbasins and furniture stand, as shown and described.

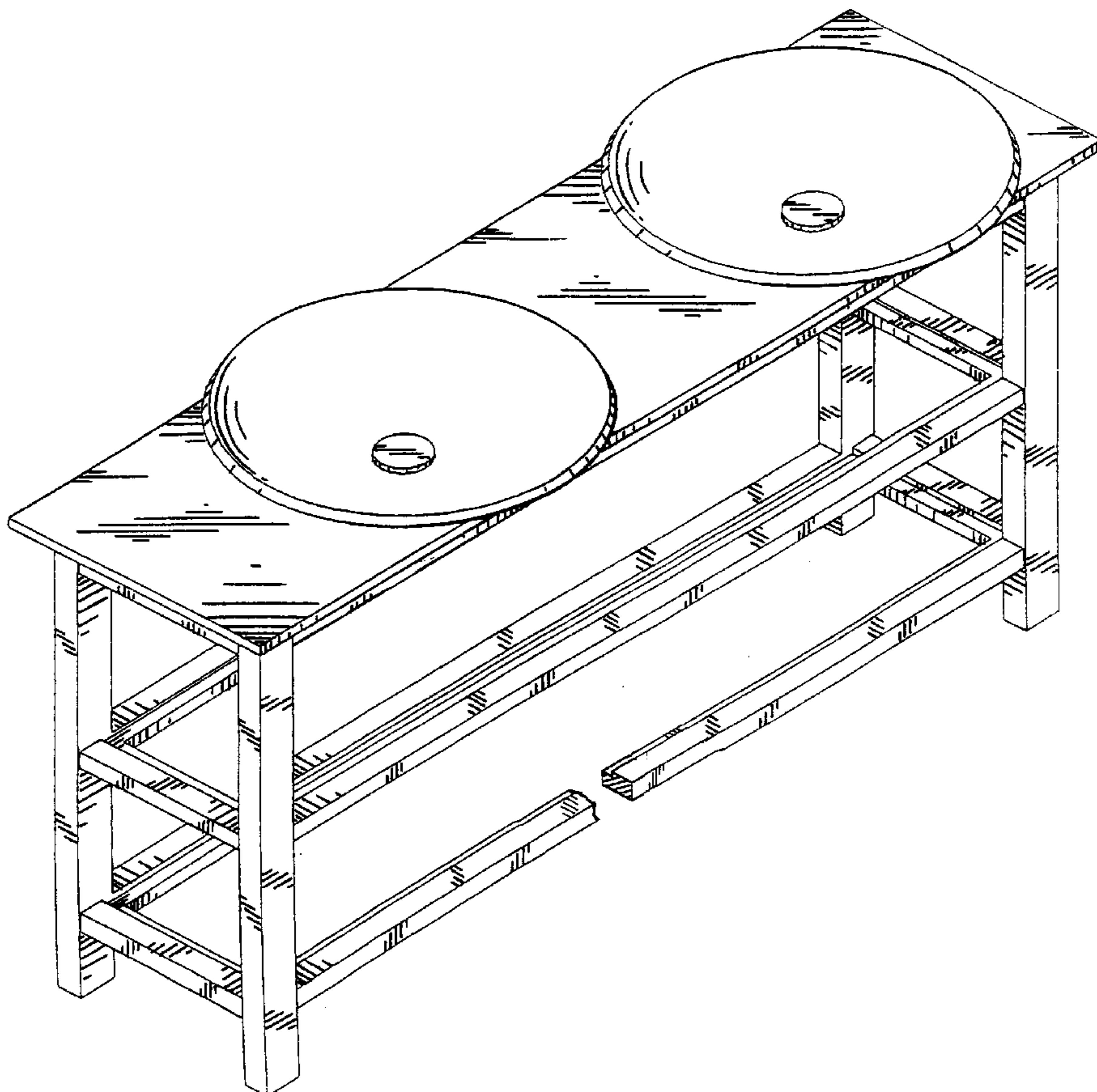
DESCRIPTION

FIG. 1 is a top, front, left side perspective view of a dual washbasins and furniture stand showing my new design with one of the two front rungs shown in cross-section in order to typically show the profile thereof;

FIG. 2 is a front elevational view thereof (the rearview being a mirror image); and,

FIG. 3 is a left end elevational view thereof (the right side being a mirror image).

1 Claim, 2 Drawing Sheets



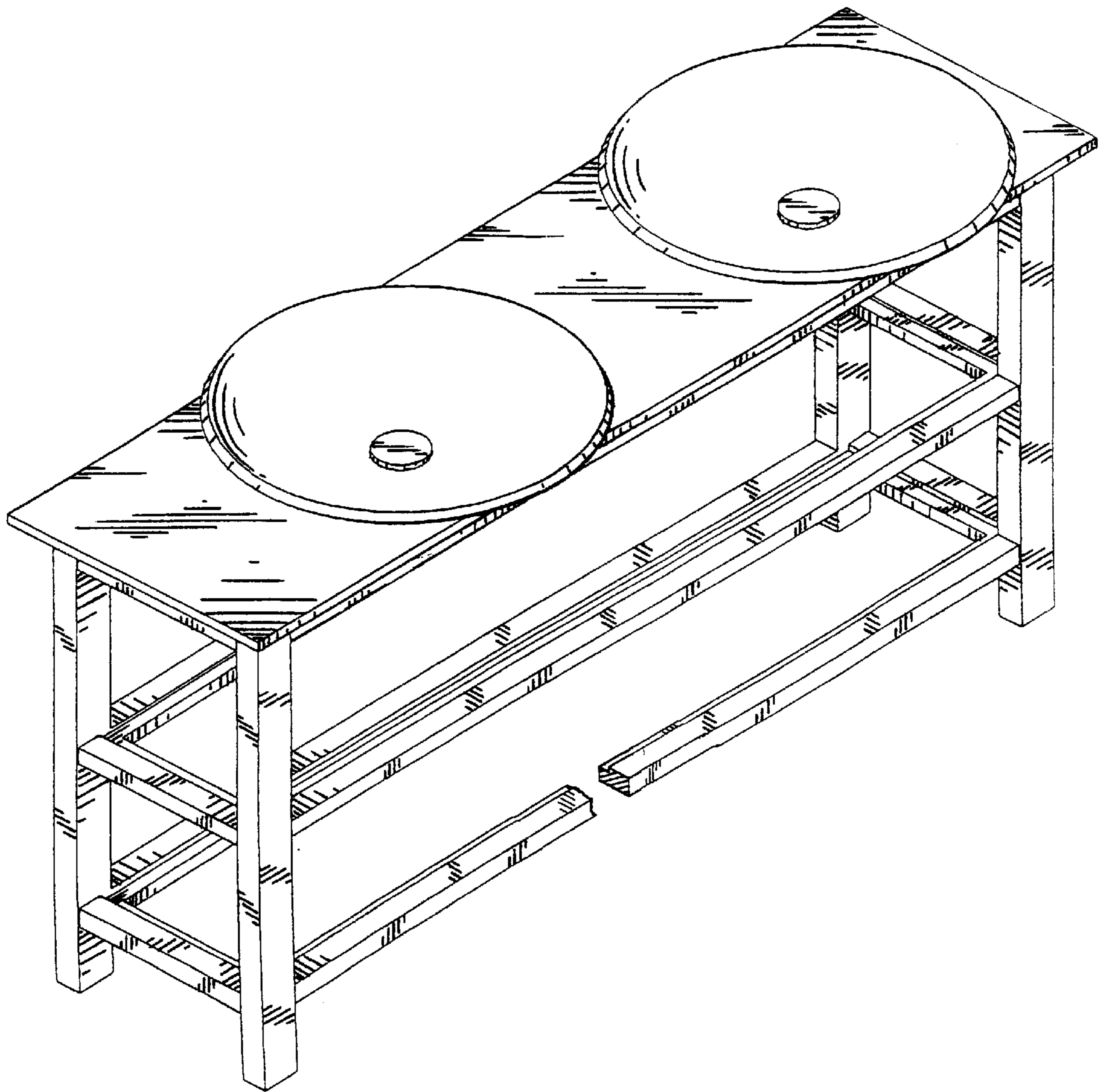


FIG. 1

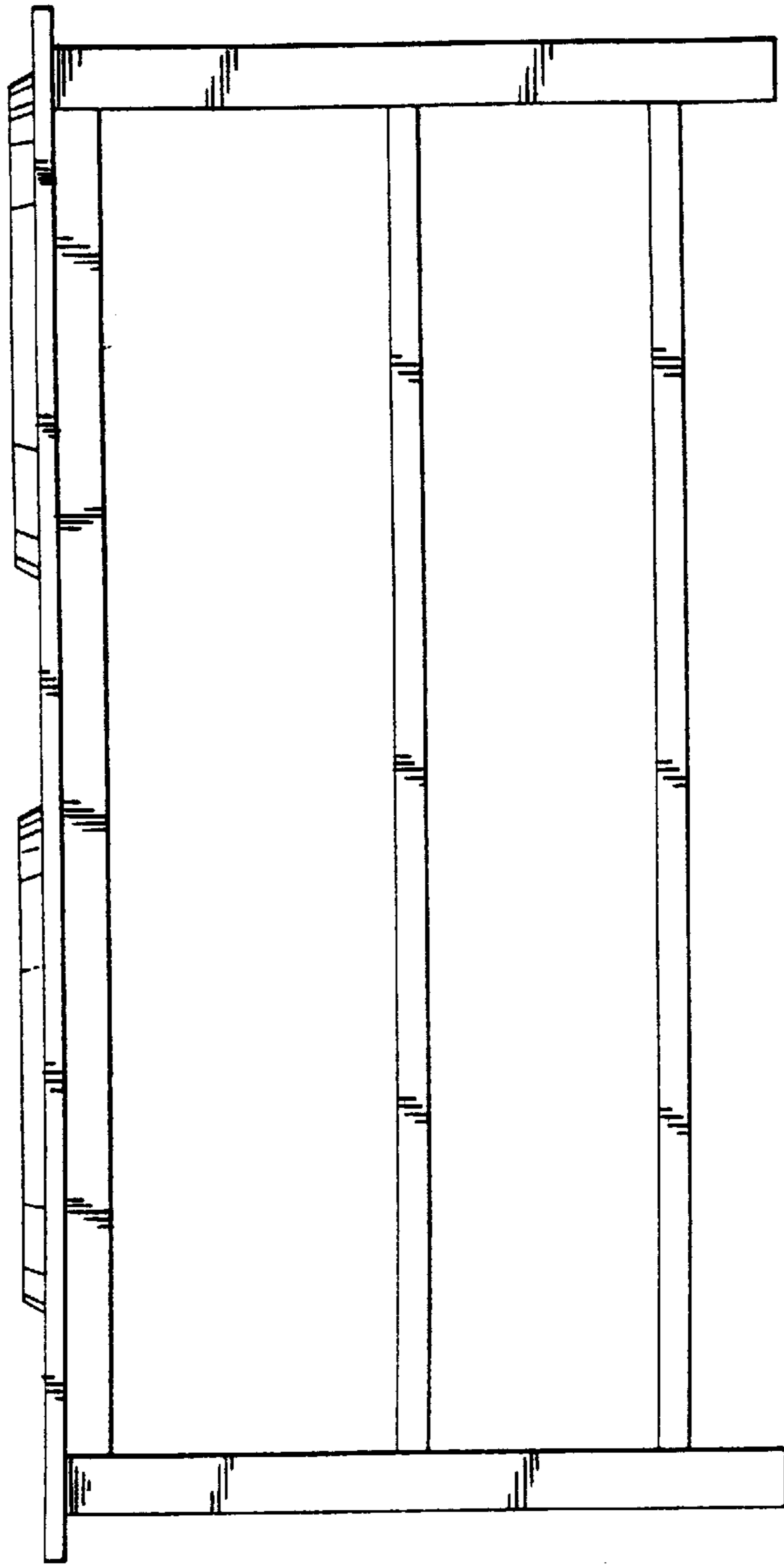


FIG. 2

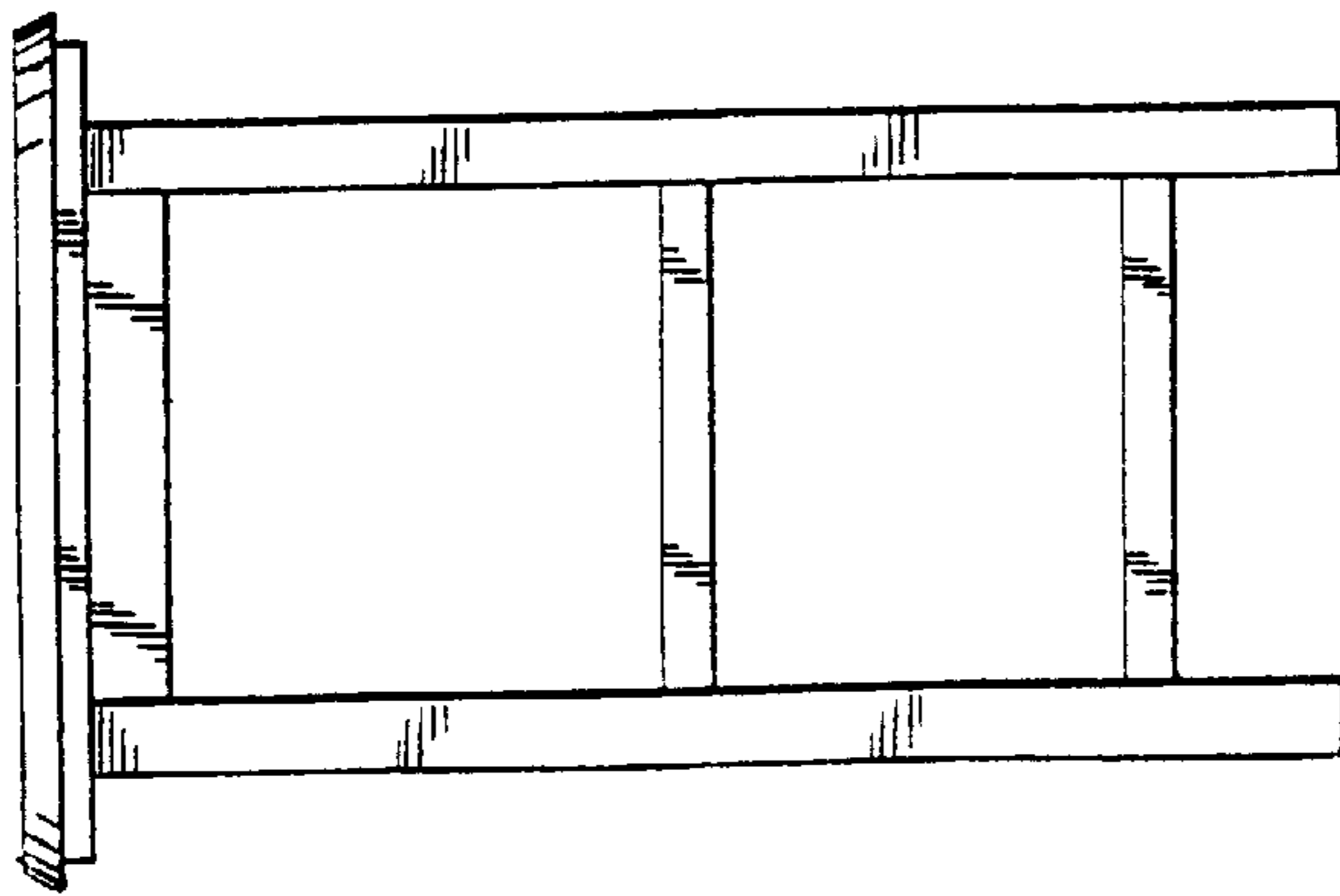


FIG. 3