



US00D445488S

(12) **United States Design Patent**
Katz et al.

(10) **Patent No.:** **US D445,488 S**

(45) **Date of Patent:** **** Jul. 24, 2001**

(54) **CABINET HAVING A BACKSPLASH, RIM AND TOWEL BAR**

(75) Inventors: **Ronald C. Katz**, Hinsdale; **Michael S. Gicela**, Wheaton; **Jon W. Hauser, II**, Geneva; **Teresa H. Murray**, Oak Park, all of IL (US)

(73) Assignee: **Elkay Manufacturing Company**, Oak Brook, IL (US)

(**) Term: **14 Years**

(21) Appl. No.: **29/110,079**

(22) Filed: **Aug. 30, 1999**

Related U.S. Application Data

(63) Continuation-in-part of application No. 29/107,173, filed on Jun. 29, 1999, application No. 29/107,202, filed on Jun. 29, 1999, and application No. 29/107,203, filed on Jun. 29, 1999.

(51) **LOC (7) Cl.** **23-02**

(52) **U.S. Cl.** **D23/284**

(58) **Field of Search** D23/284-293.1;
4/619, 624, 625, 638-650

(56) **References Cited**

U.S. PATENT DOCUMENTS

- D. 261,028 * 9/1981 Bitvai D23/284
- D. 401,678 * 11/1998 Scheel et al. D23/286
- D. 412,741 * 8/1999 Pepin D23/286

OTHER PUBLICATIONS

Elkay Brochure, *Residential and Commercial Sinks and Accessories*, Elkay "Sink Top Selections" p 46. These sink tops have been on sale prior to Aug. 30, 1998.

Elkay Brochure, *Sink Tops . . . Classic Style with the Elegance of Stainless Steel*, Elkay Sink Top Selections—The Highest Standard of Quality, Form and Function. These sink tops have been on sale prior to Aug. 30, 1998.

Just Manufacturing Company Brochure, *The Royalty Group Marquis Standard Sink Tops 18 Gauge Only* p. 24 and pp. 5-1 through 5-6. These sink tops have been on sale prior to Aug. 30, 1998.

* cited by examiner

Primary Examiner—Doris Clark

(74) *Attorney, Agent, or Firm*—Leydig, Voit & Mayer Ltd.

(57) **CLAIM**

The ornamental design for a cabinet having a backsplash, rim and towel bar, as shown and described.

DESCRIPTION

FIG. 1 is a perspective view taken from the top, front and right side of a cabinet having a backsplash, rim and towel bar showing our new design;

FIG. 2 is a top plan view thereof;

FIG. 3 is a front view thereof, and of the cabinet having a backsplash, rim and towel bar shown in FIG. 7;

FIG. 4 is a bottom view thereof, and of the cabinet having a backsplash, rim and towel bar shown in FIG. 7;

FIG. 5 is a back view thereof, and of the cabinet having a backsplash, rim and towel bar shown in FIGS. 7, 14 and 18;

FIG. 6 is a right side view thereof, and of the cabinet having a backsplash, rim and towel bar shown in FIGS. 7 and 9;

FIG. 7 is a perspective view taken from the top, front and right side of a second embodiment of FIG. 1, the only differences being the number and shape of the bowls;

FIG. 8 is a top plan view of the cabinet having a backsplash, rim and towel bar shown in FIG. 7;

FIG. 9 is a perspective view taken from the top, front and right side of a third embodiment of FIG. 1, the only differences being the number and shape of the bowls, which increases the width of the design;

FIG. 10 is a top plan view of the cabinet having a backsplash, rim and towel bar shown in FIG. 9;

FIG. 11 is a front view of the cabinet having a backsplash, rim and towel bar shown in FIG. 9;

FIG. 12 is a bottom view of the cabinet having a backsplash, rim and towel bar shown in FIG. 9;

FIG. 13 is a back view of the cabinet having a backsplash, rim and towel bar shown in FIGS. 9 and 19;

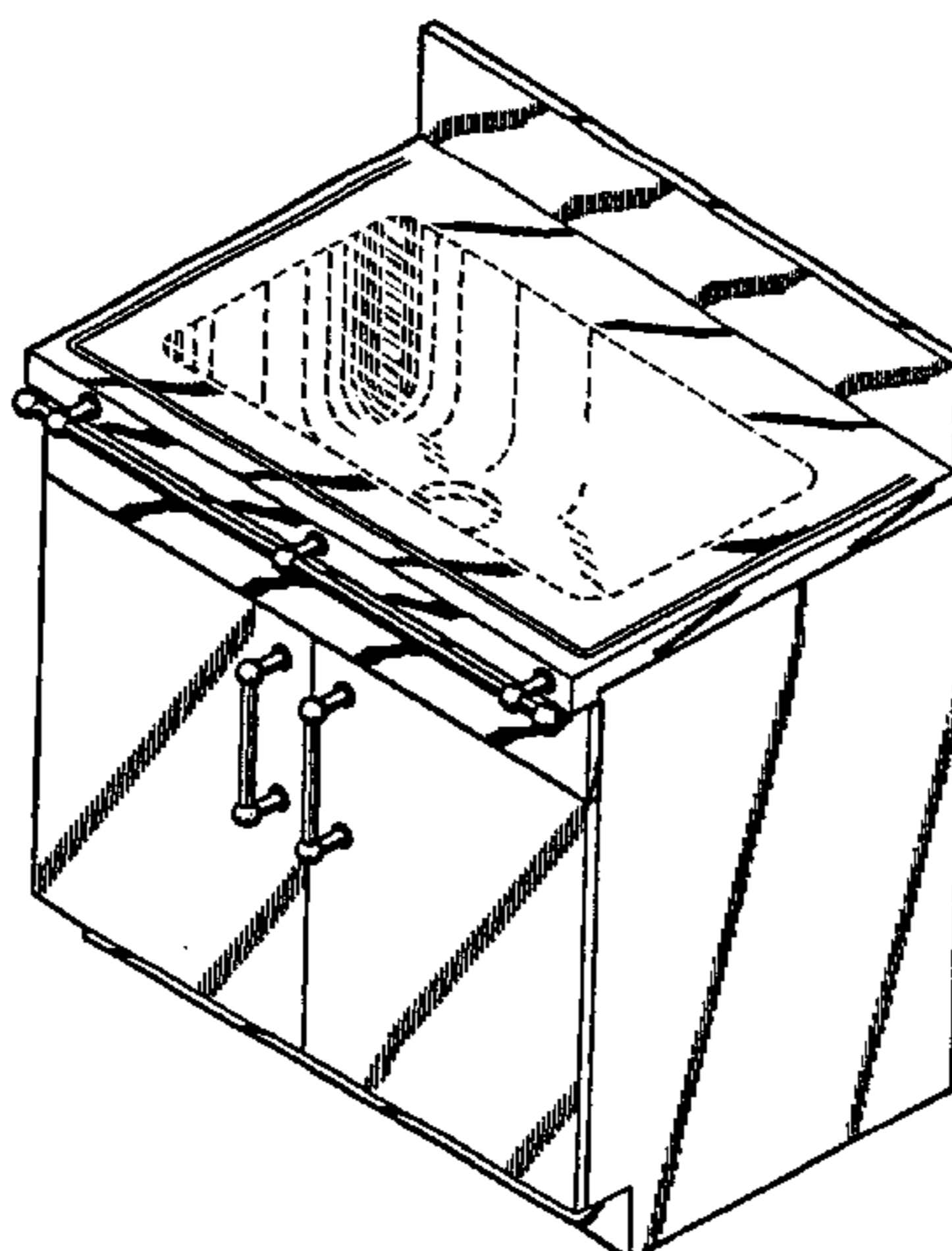


FIG. 14 is a top plan view of a fourth embodiment of FIG. 1, the only differences being the top edge of the backsplash and the front edge of the rim, and the location of the towel bar;

FIG. 15 is a front view of the cabinet having a backsplash, rim and towel bar of FIGS. 14 and 18;

FIG. 16 is a right side view of the cabinet having a backsplash, rim and towel bar of FIGS. 14, 18 and 19;

FIG. 17 is a bottom view of the cabinet having a backsplash, rim and towel bar of FIGS. 14 and 18;

FIG. 18 is a top plan view of a fifth embodiment of FIG. 1, the only differences being the top edge of the backsplash and the front edge of the rim, the location of the towel bar, and the number and shape of the bowls;

FIG. 19 is a top plan view of a sixth embodiment of FIG. 1, the only differences being the top edge of the backsplash and the front edge of the rim, the location of the towel bar, and the number and shape of the bowls, which increases the width of the design;

FIG. 20 is a front view of the cabinet having a backsplash, rim and towel bar of FIG. 19;

FIG. 21 is a bottom view of the cabinet having a backsplash, rim and towel bar of FIG. 19;

FIG. 22 is a top plan view of a seventh embodiment of FIG. 1, the only differences being the top edge of the backsplash and the front edge of the rim, and the location of the towel bar;

FIG. 23 is a front view of the cabinet having a backsplash, rim and towel bar shown in FIGS. 22 and 27;

FIG. 24 is a right side view of the cabinet having a backsplash, rim and towel bar shown in FIGS. 22, 27 and 28;

FIG. 25 is a back view of the cabinet having a backsplash, rim and towel bar shown in FIGS. 22 and 27;

FIG. 26 is a bottom view of the cabinet having a backsplash, rim and towel bar shown in FIGS. 22 and 27;

FIG. 27 is a top plan view of an eighth embodiment of FIG. 1, the only differences being the top edge of the backsplash and the front edge of the rim, the location of the towel bar, and the number and shape of the bowls;

FIG. 28 is a top plan view of a ninth embodiment of FIG. 1, the only differences being the number and shape of the bowls, which increases the width of the design, the top edge of the backsplash and the front edge of the rim, and the location of the towel bar;

FIG. 29 is a front view of the cabinet having a backsplash, rim and towel bar shown in FIG. 28;

FIG. 30 is a back view of the cabinet having a backsplash, rim and towel bar shown in FIG. 28; and,

FIG. 31 is a bottom view of the cabinet having a backsplash, rim and towel bar shown in FIG. 28.

The broken lines disclosing sink bowls are for illustrative purposes only and form no part of the claimed design.

1 Claim, 16 Drawing Sheets

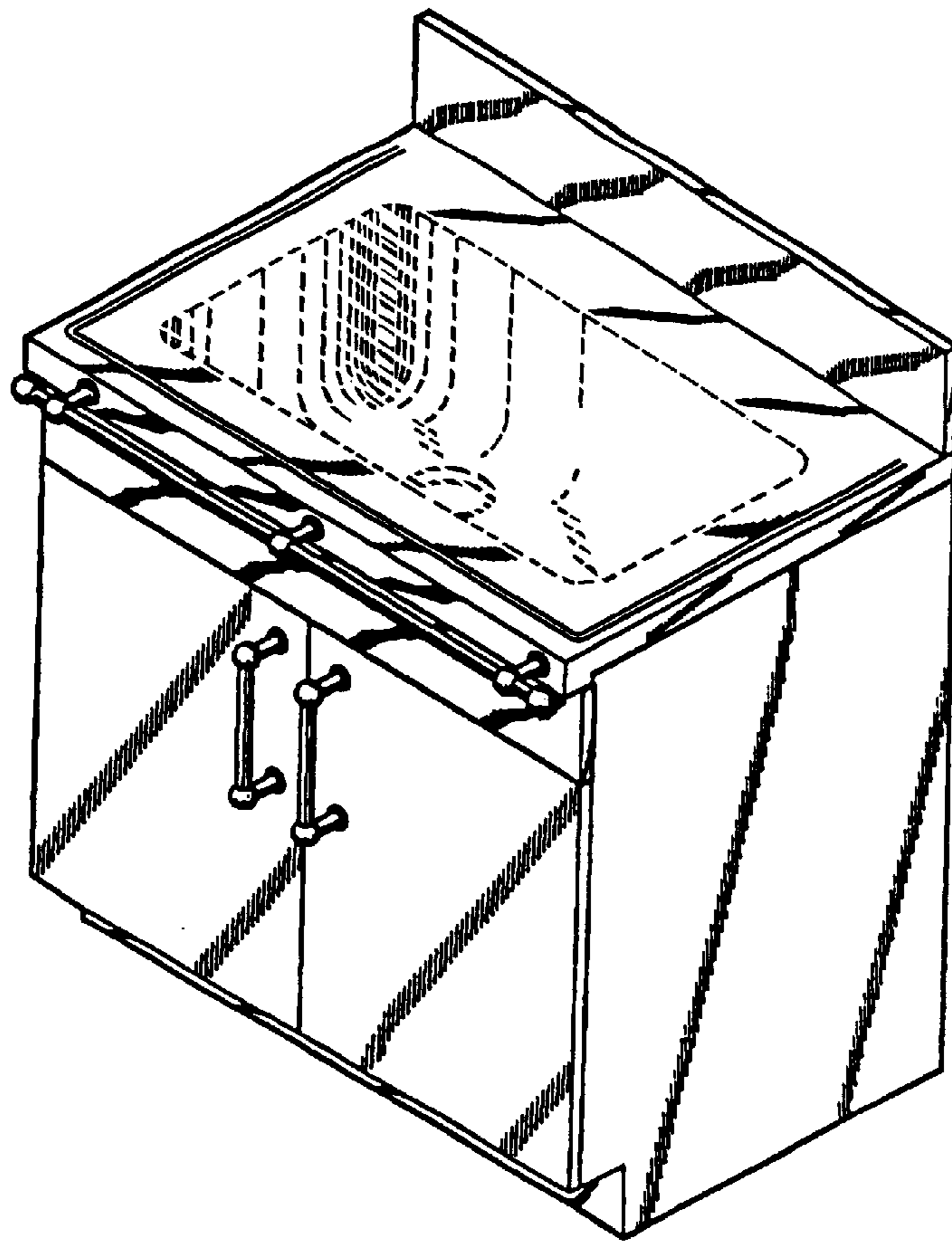


FIG. 1

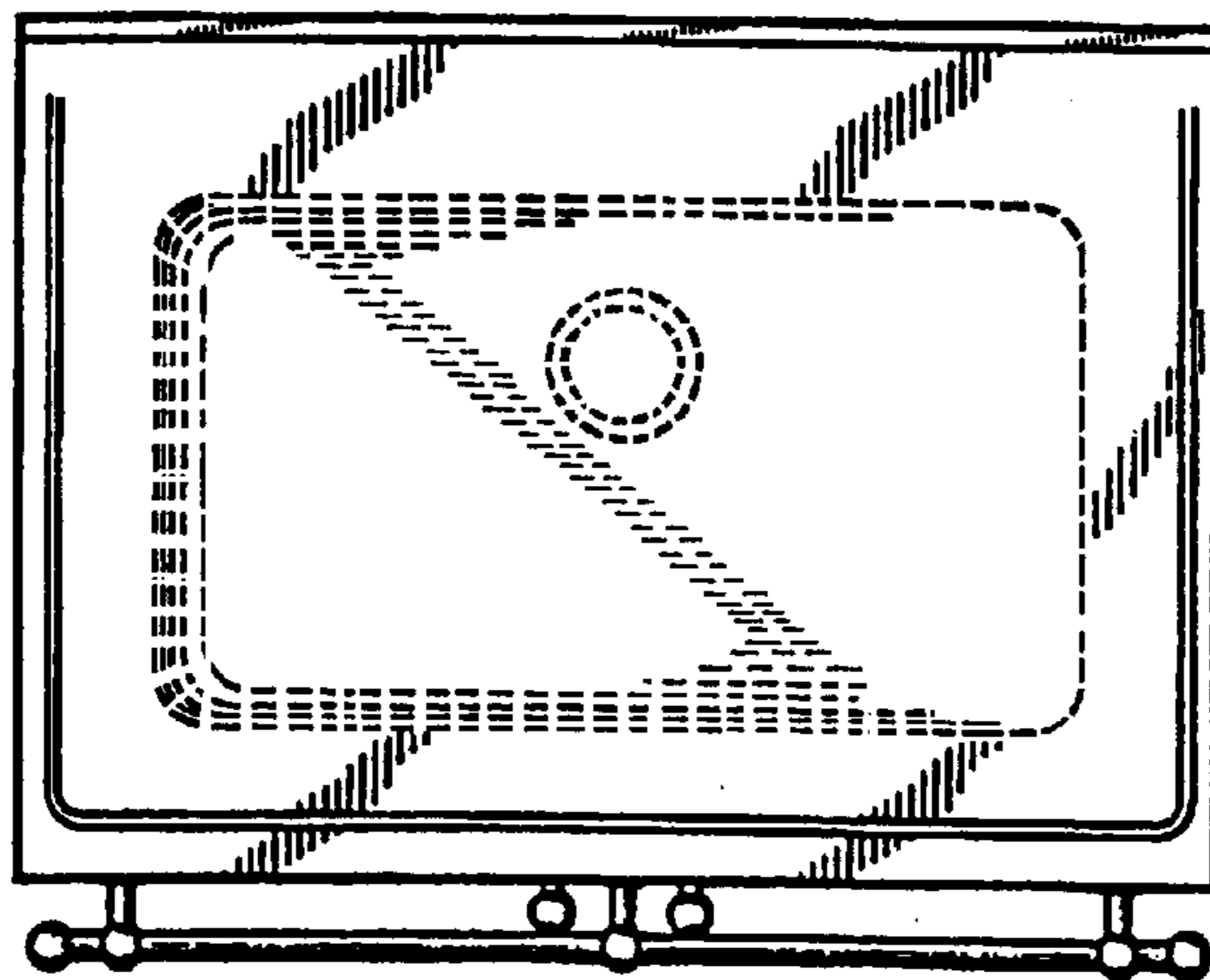


FIG. 2

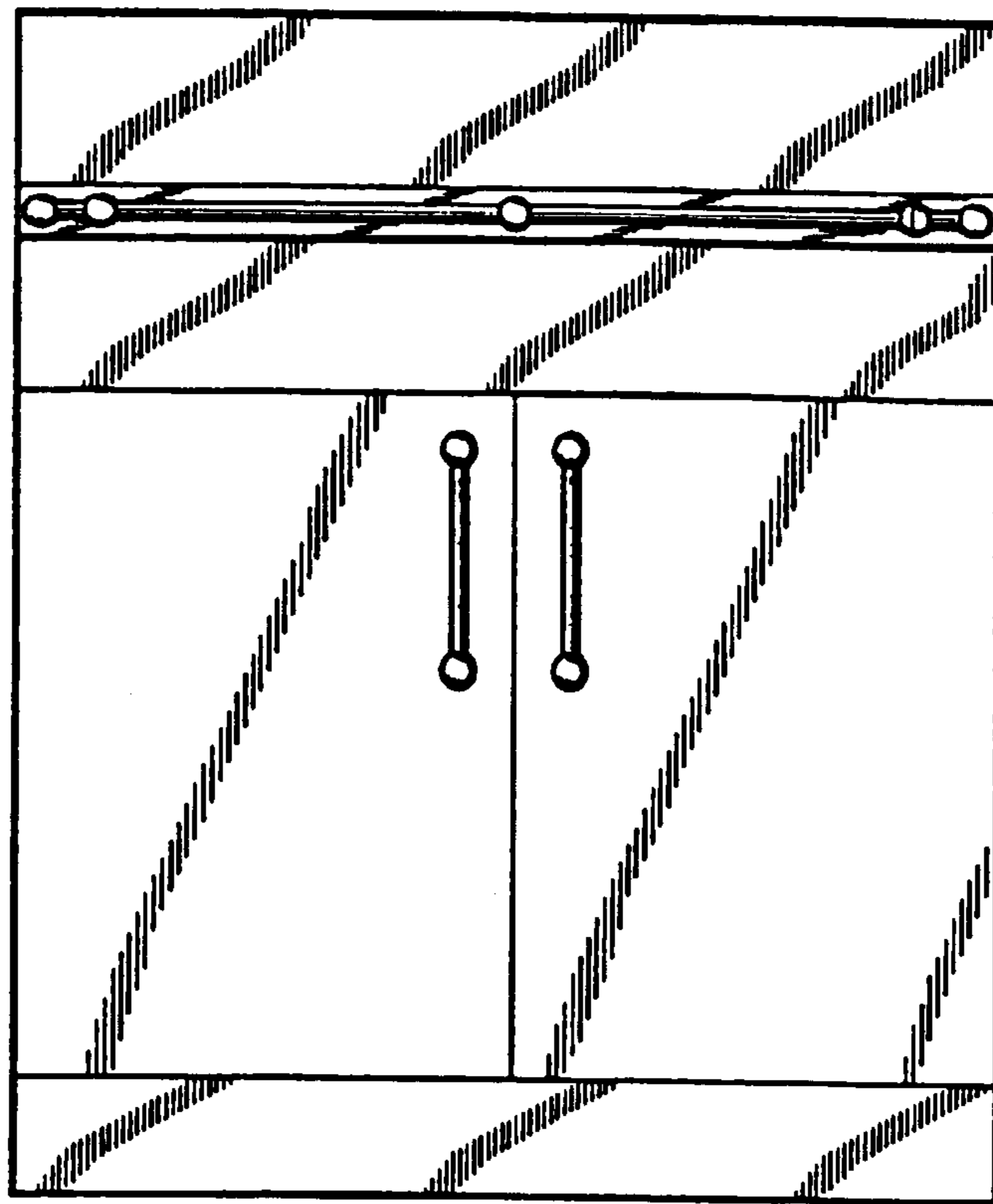


FIG. 3

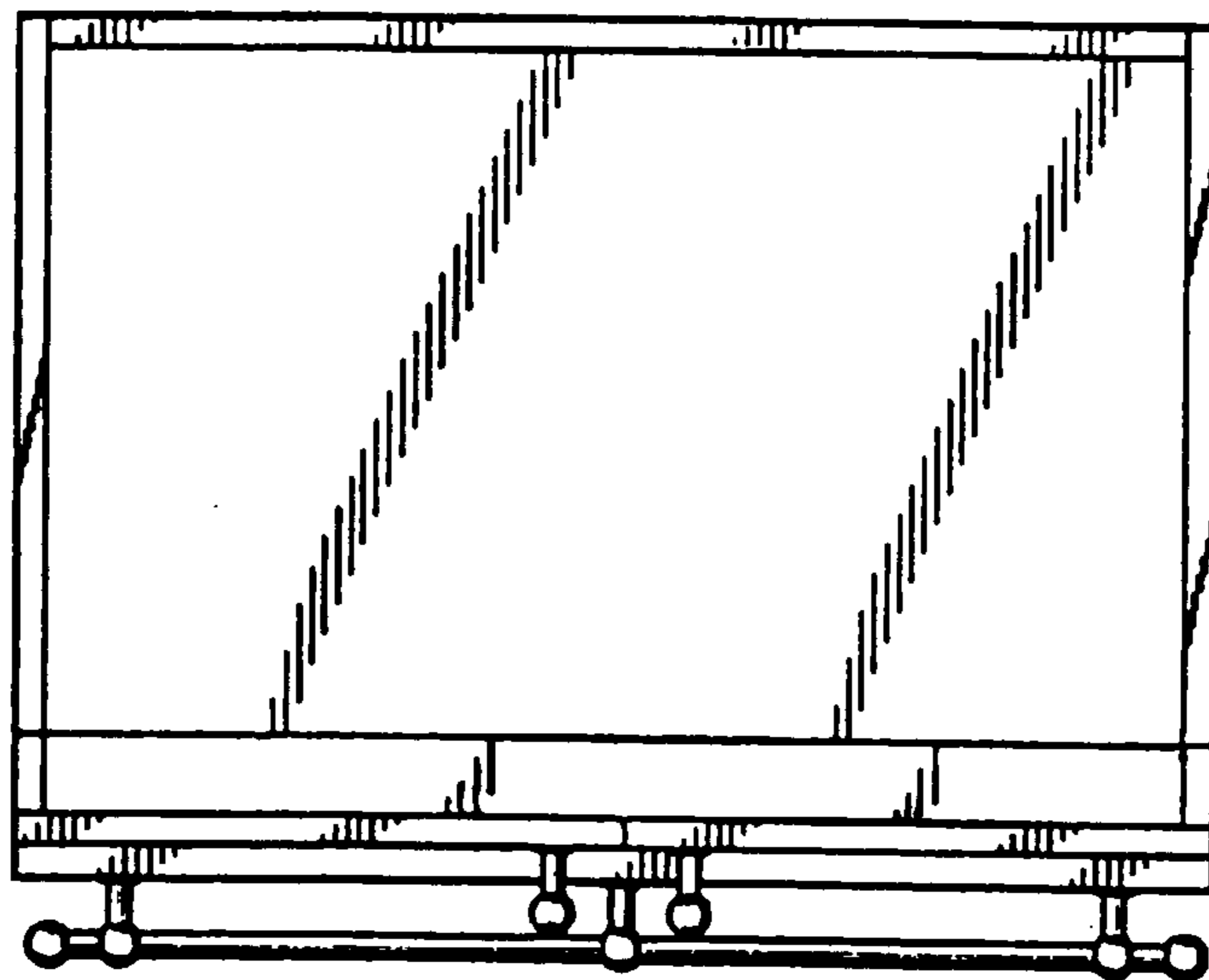


FIG. 4

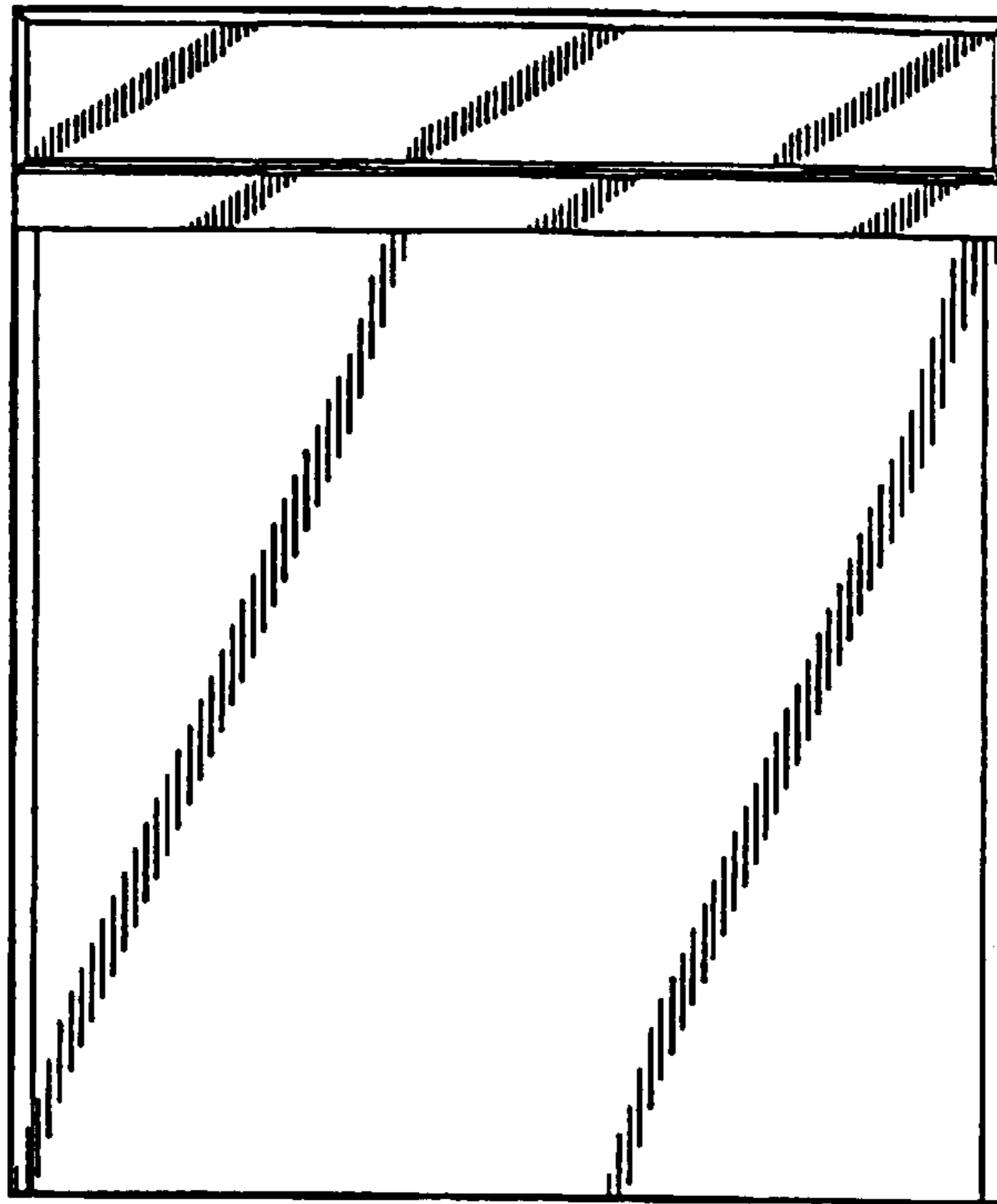


FIG. 5

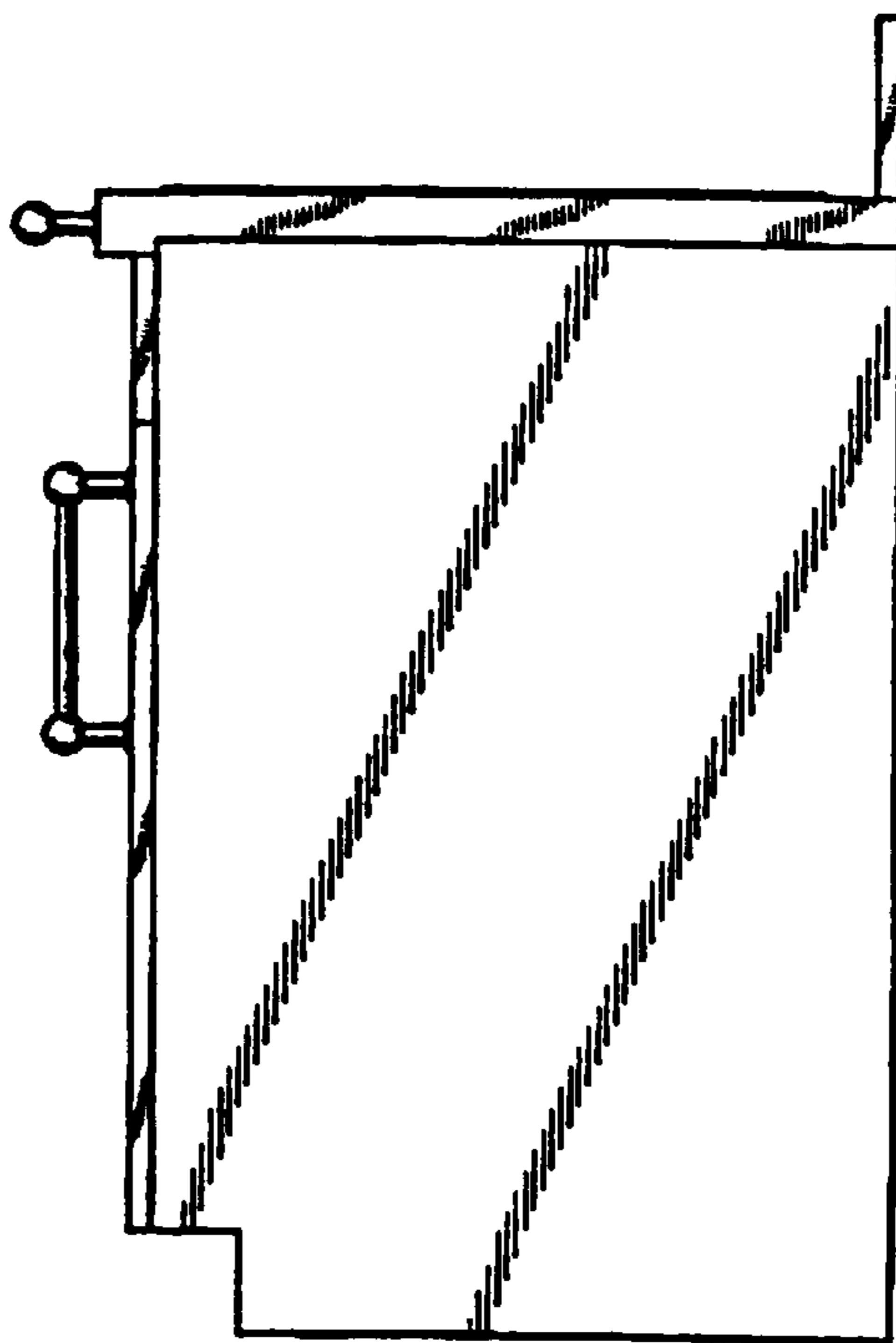


FIG. 6

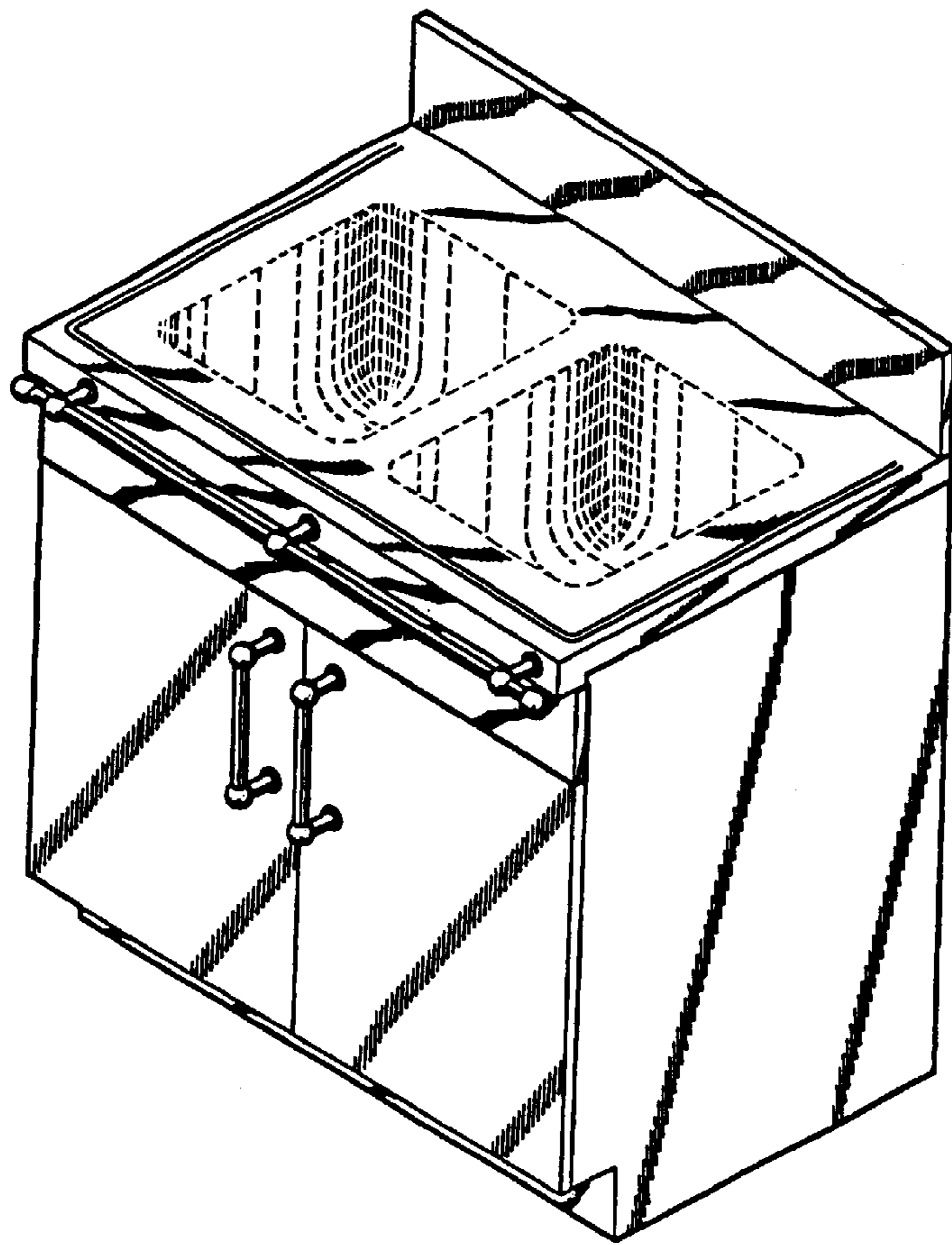


FIG. 7

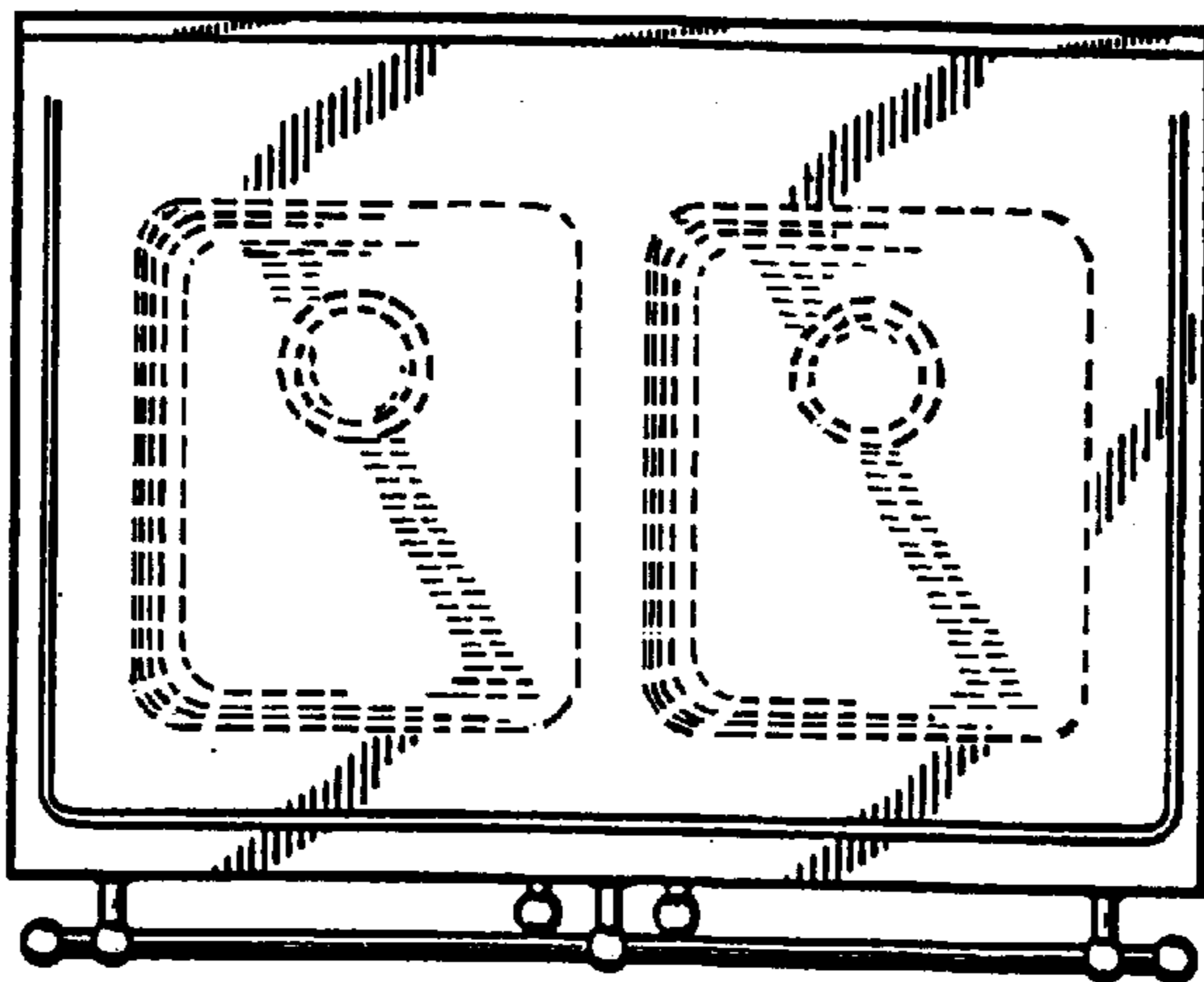


FIG. 8

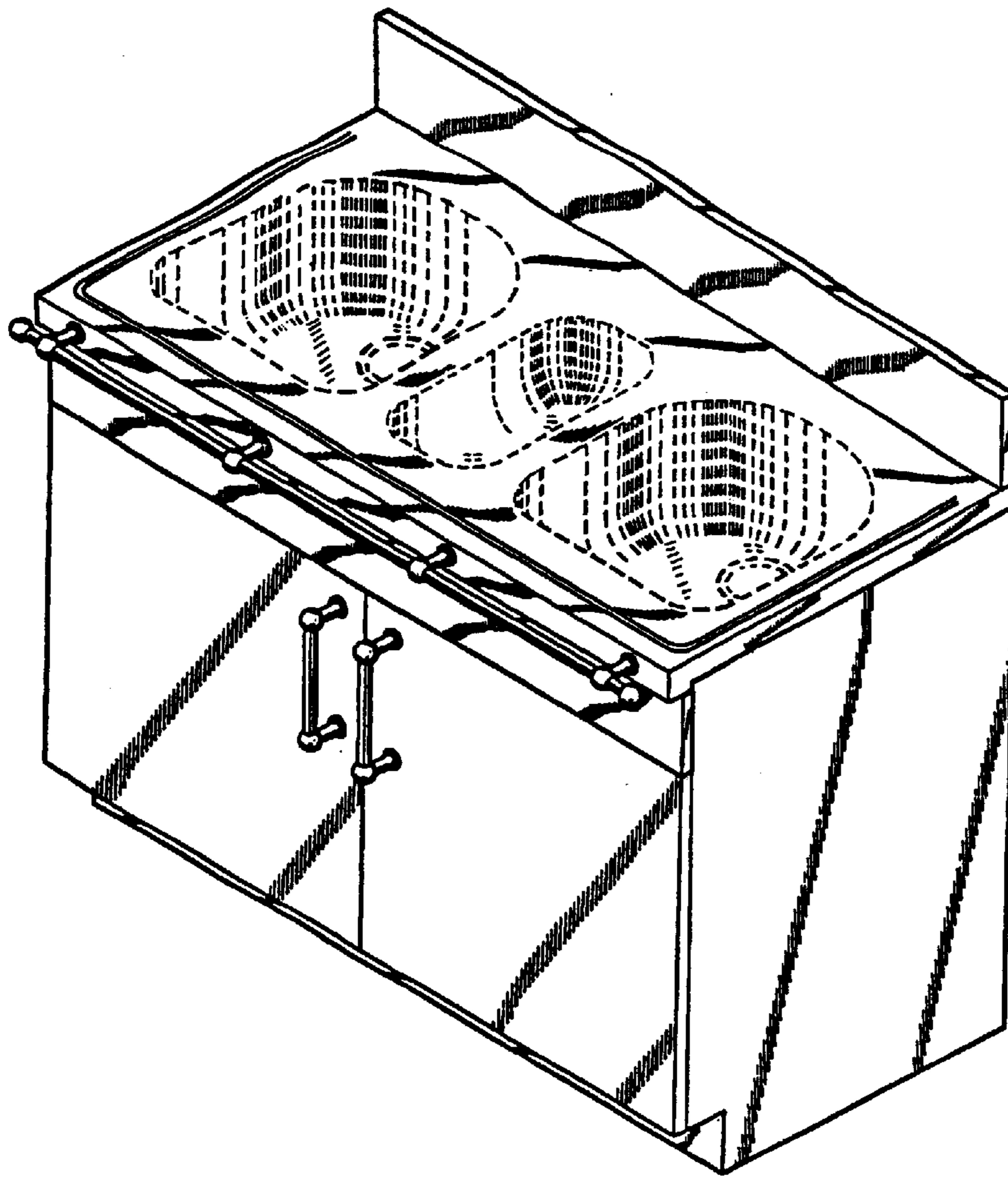


FIG. 9

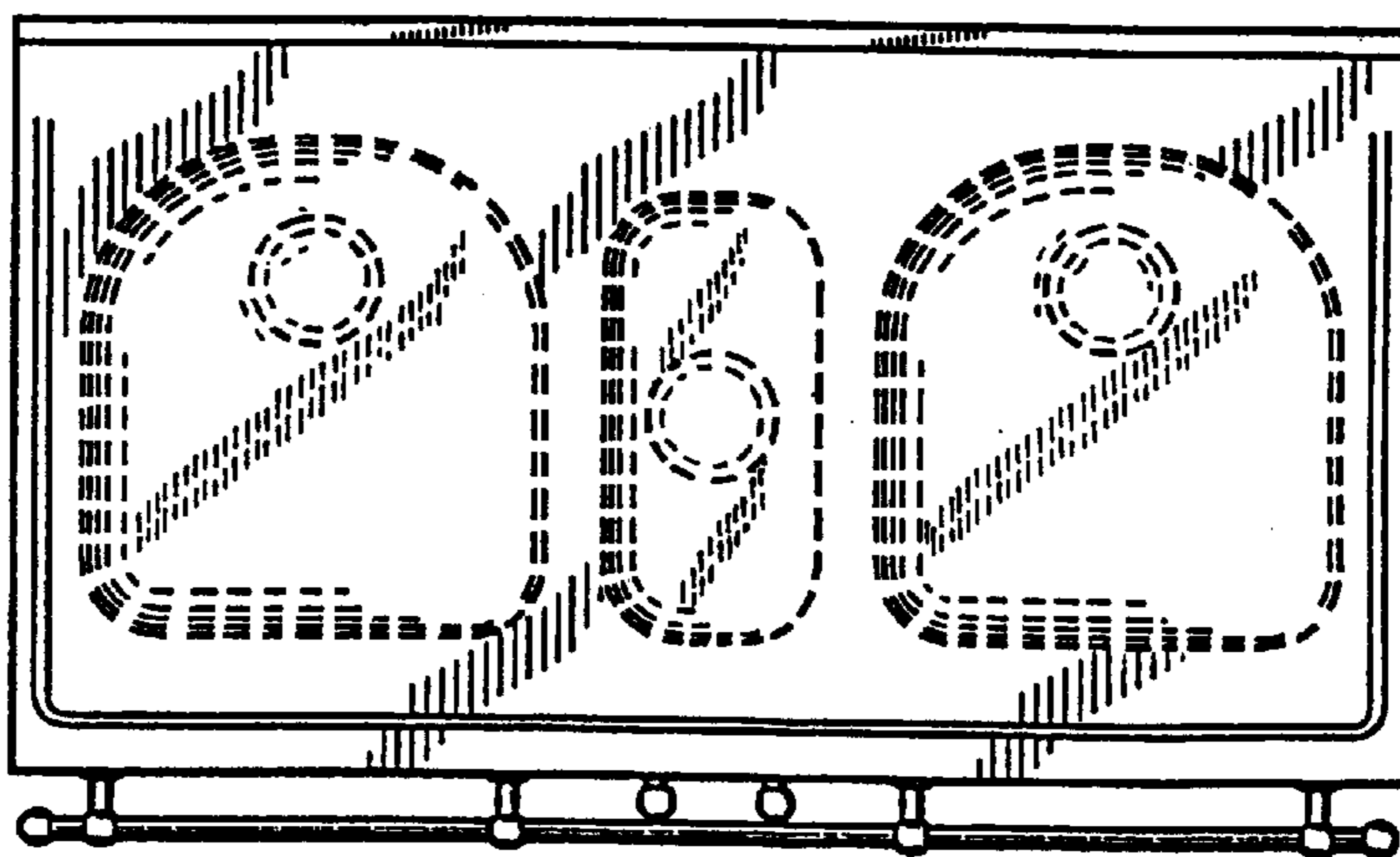


FIG. 10

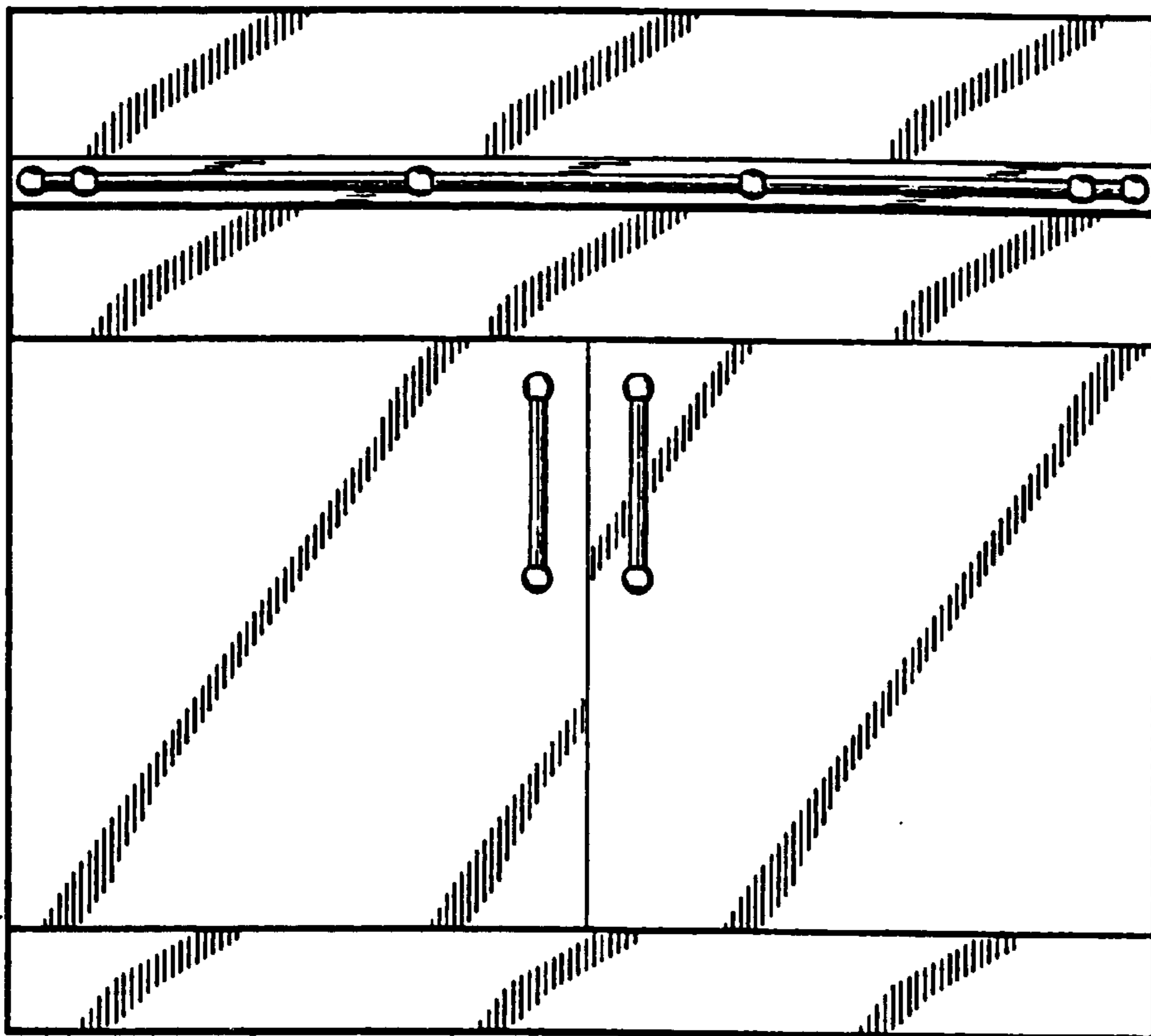


FIG. 11

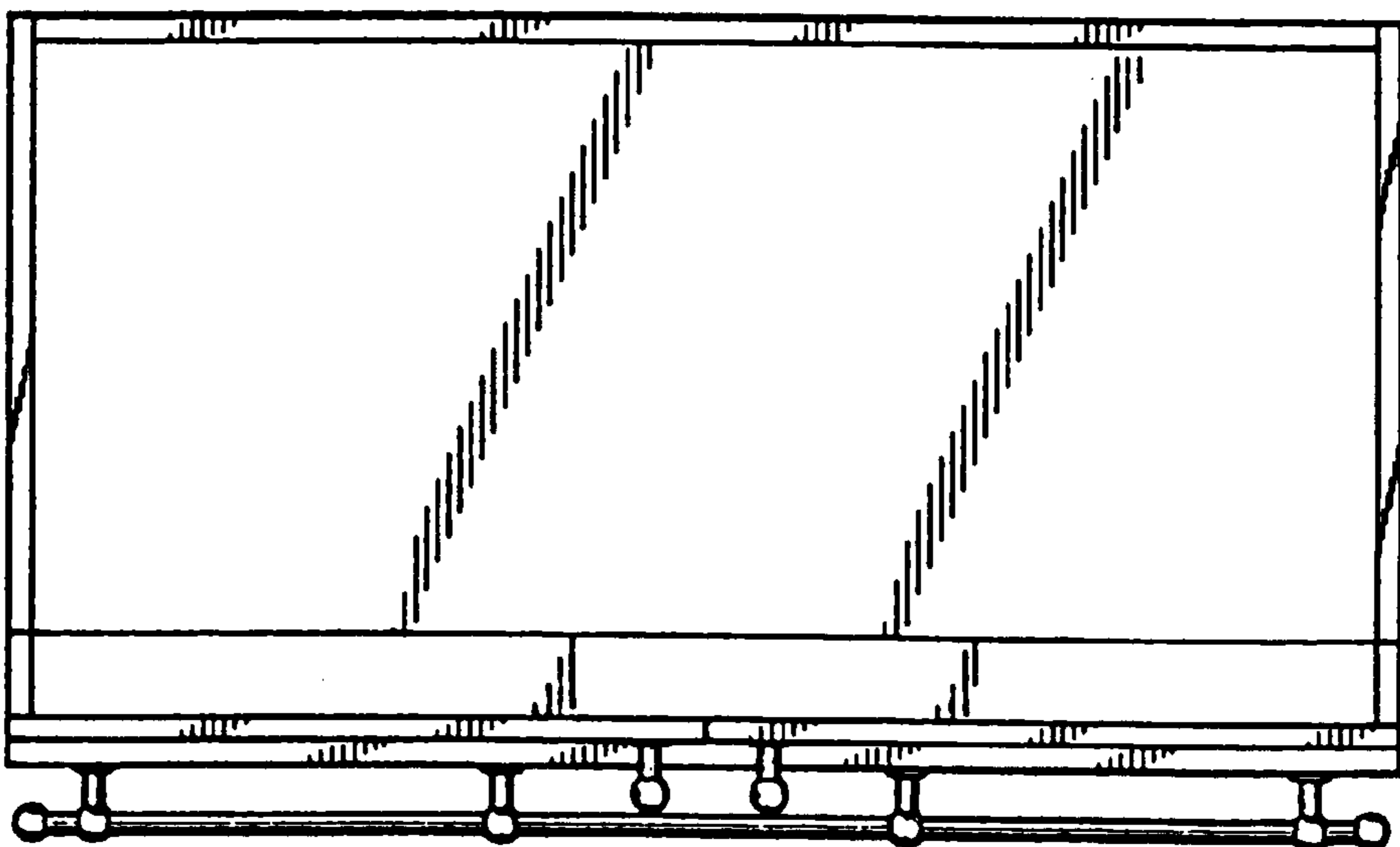


FIG. 12

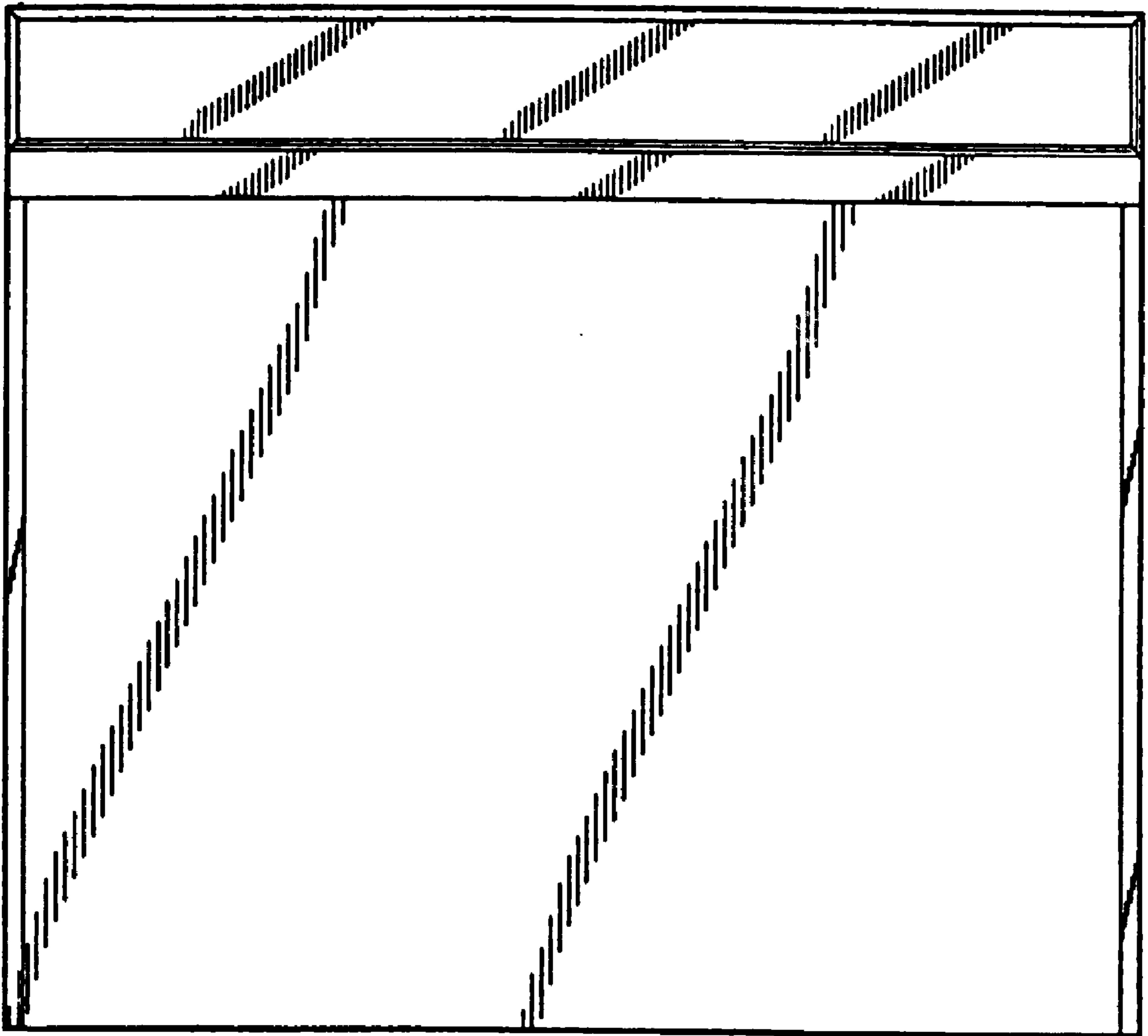


FIG. 13

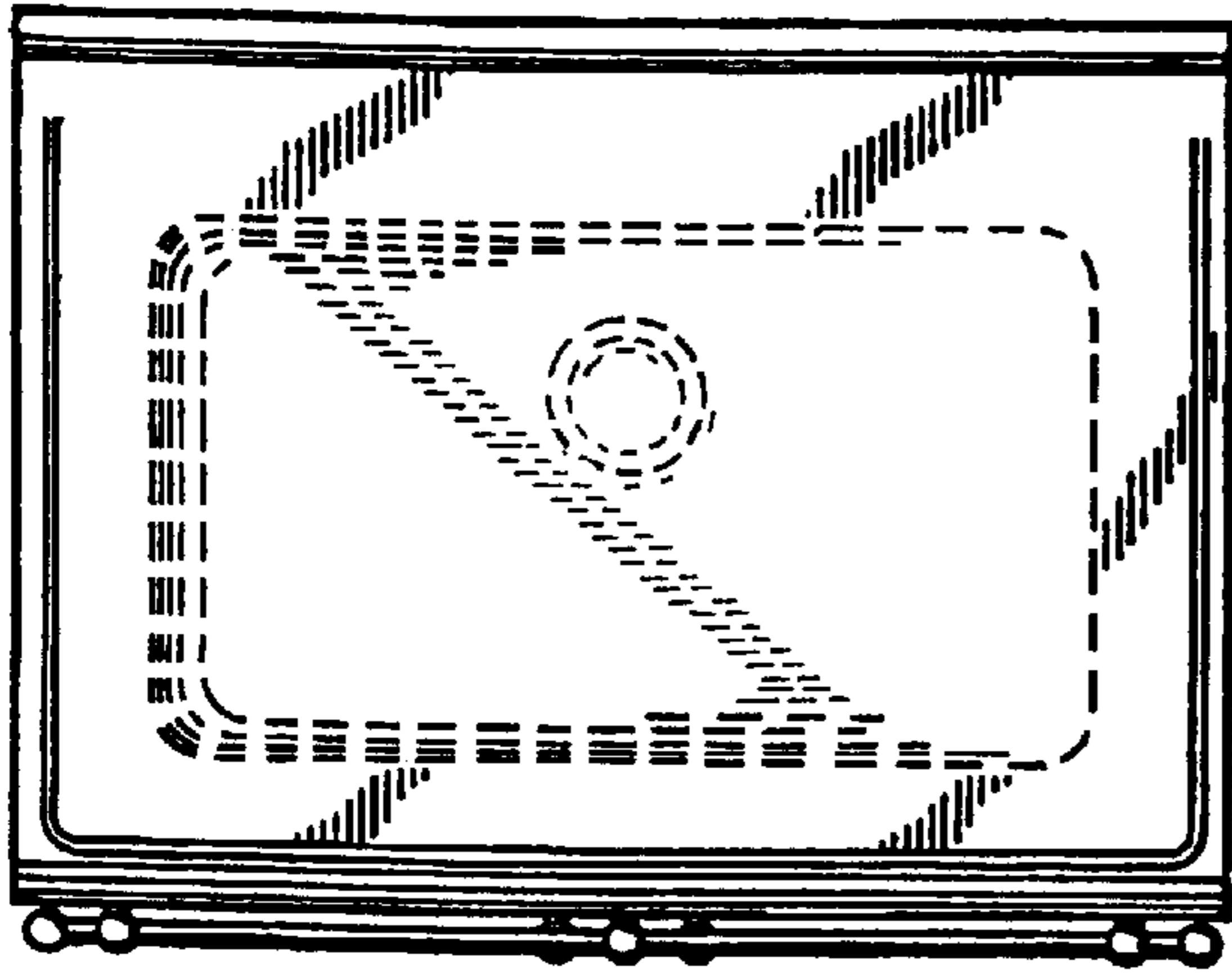


FIG. 14

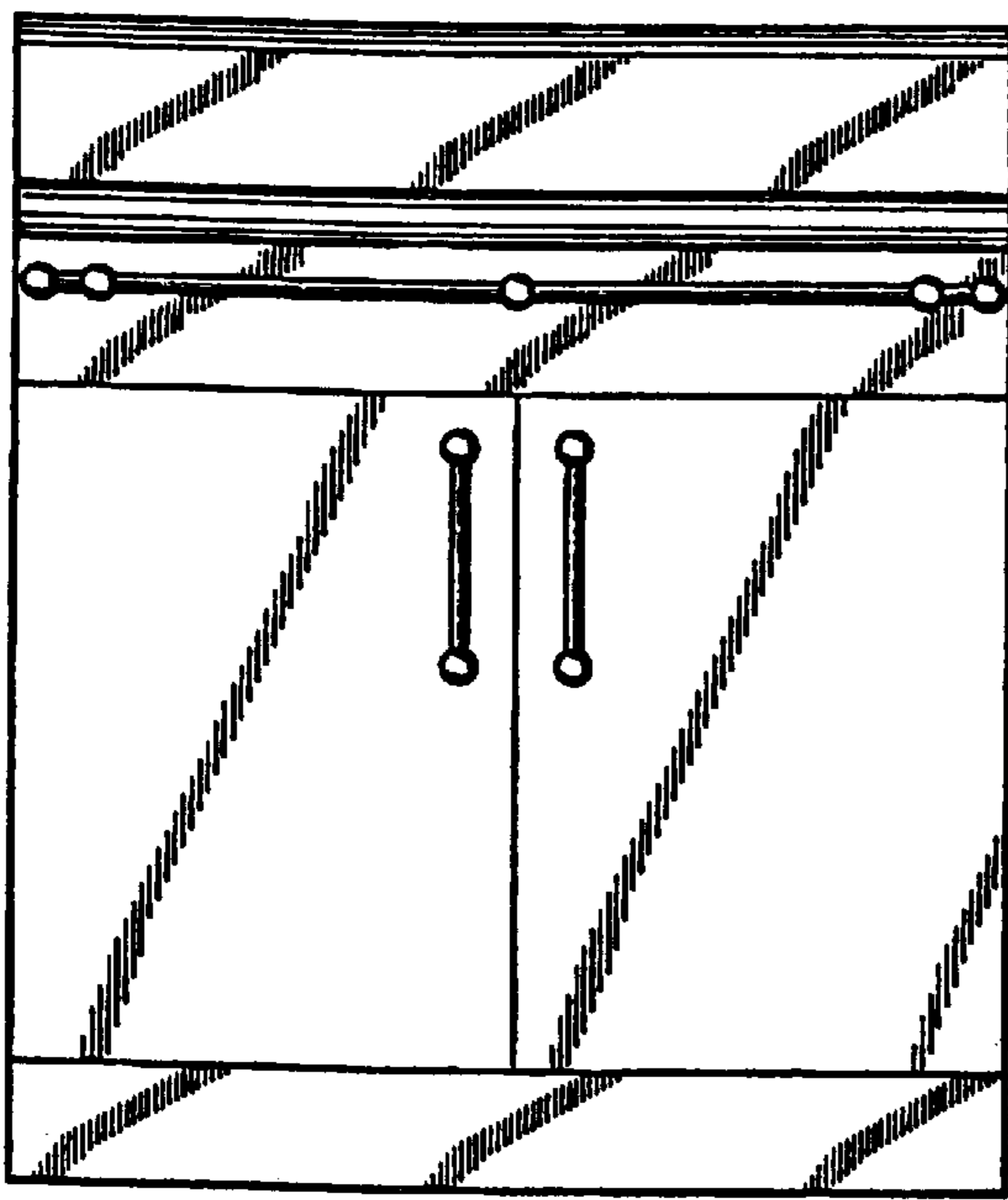


FIG. 15

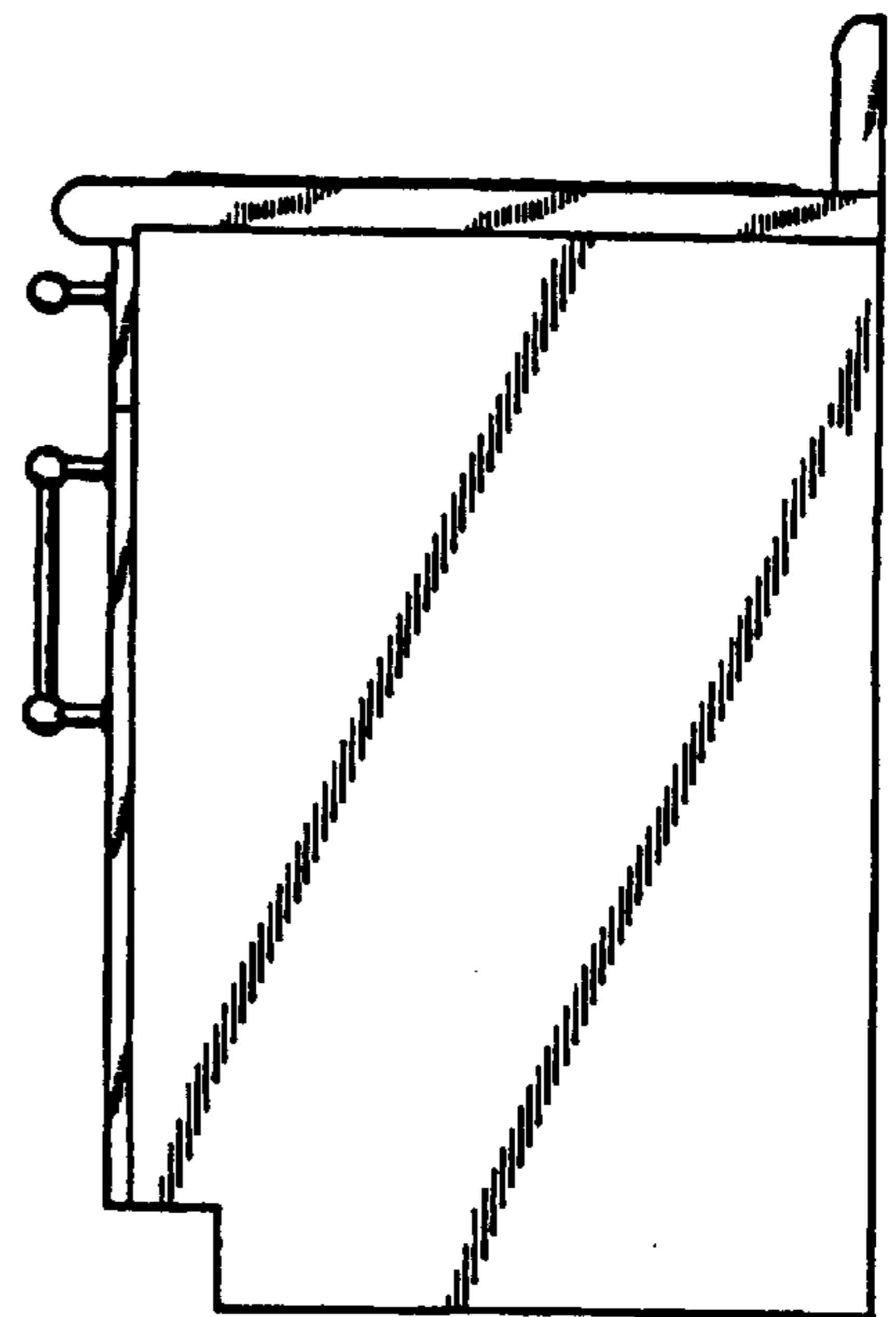


FIG. 16

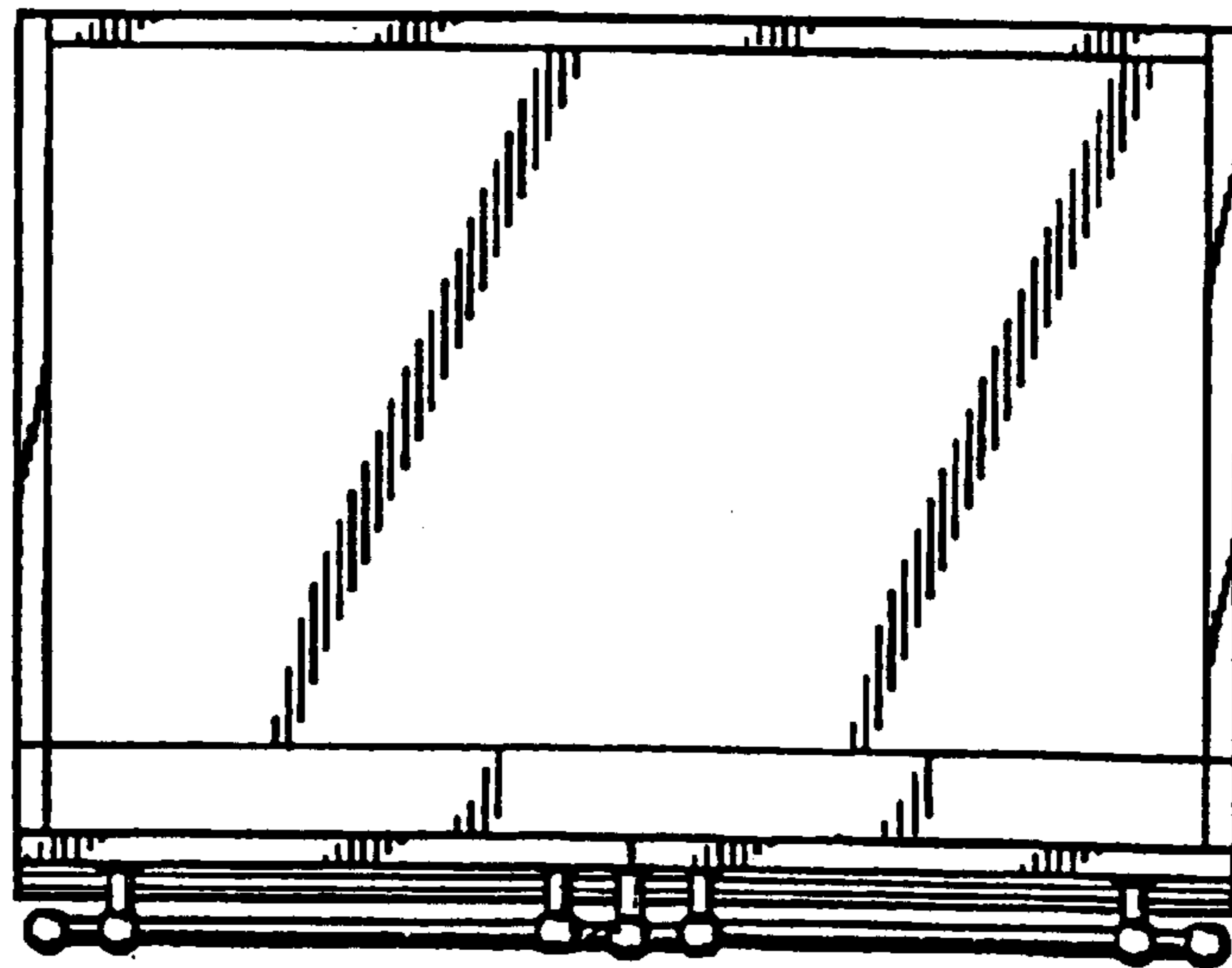


FIG. 17

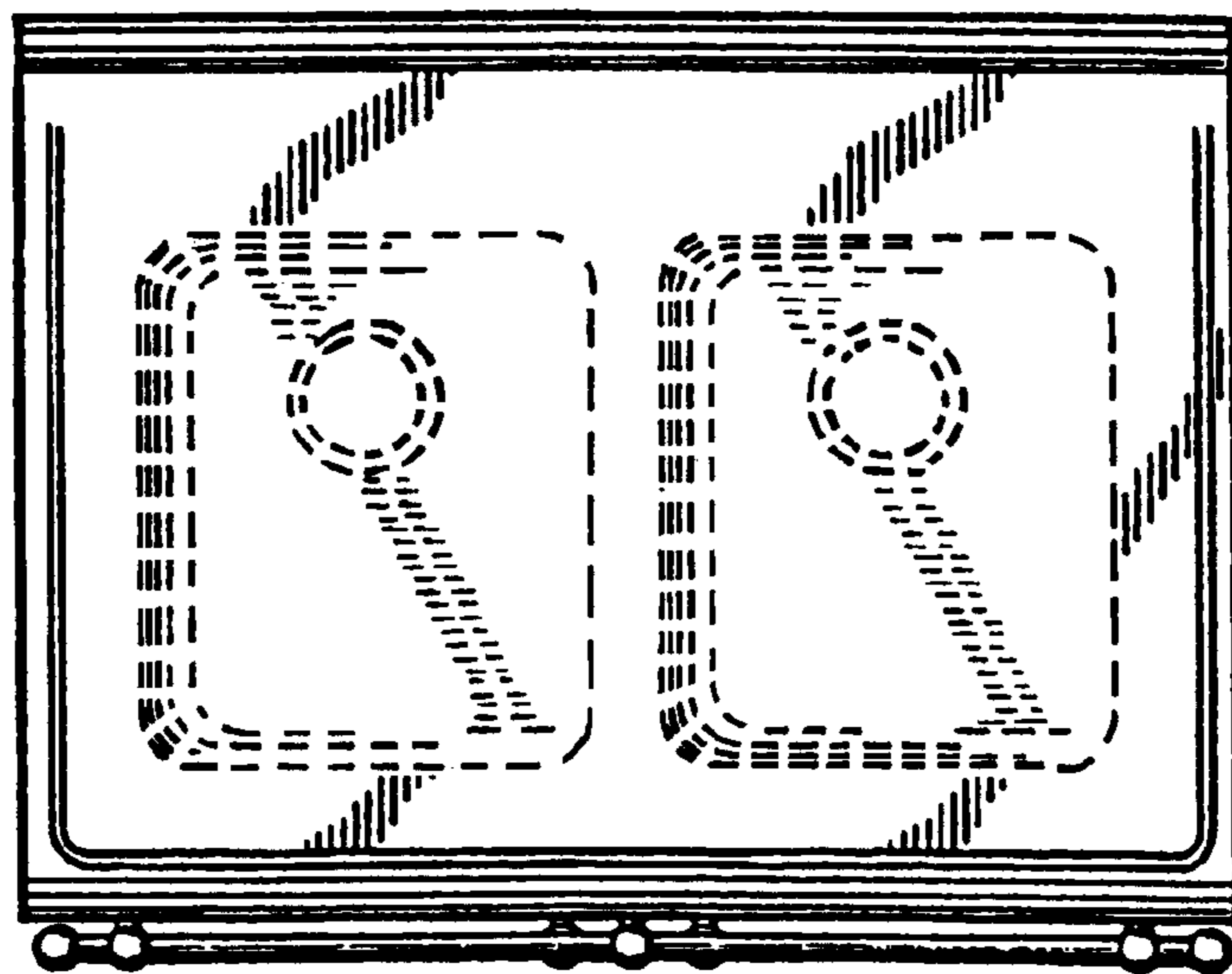


FIG. 18

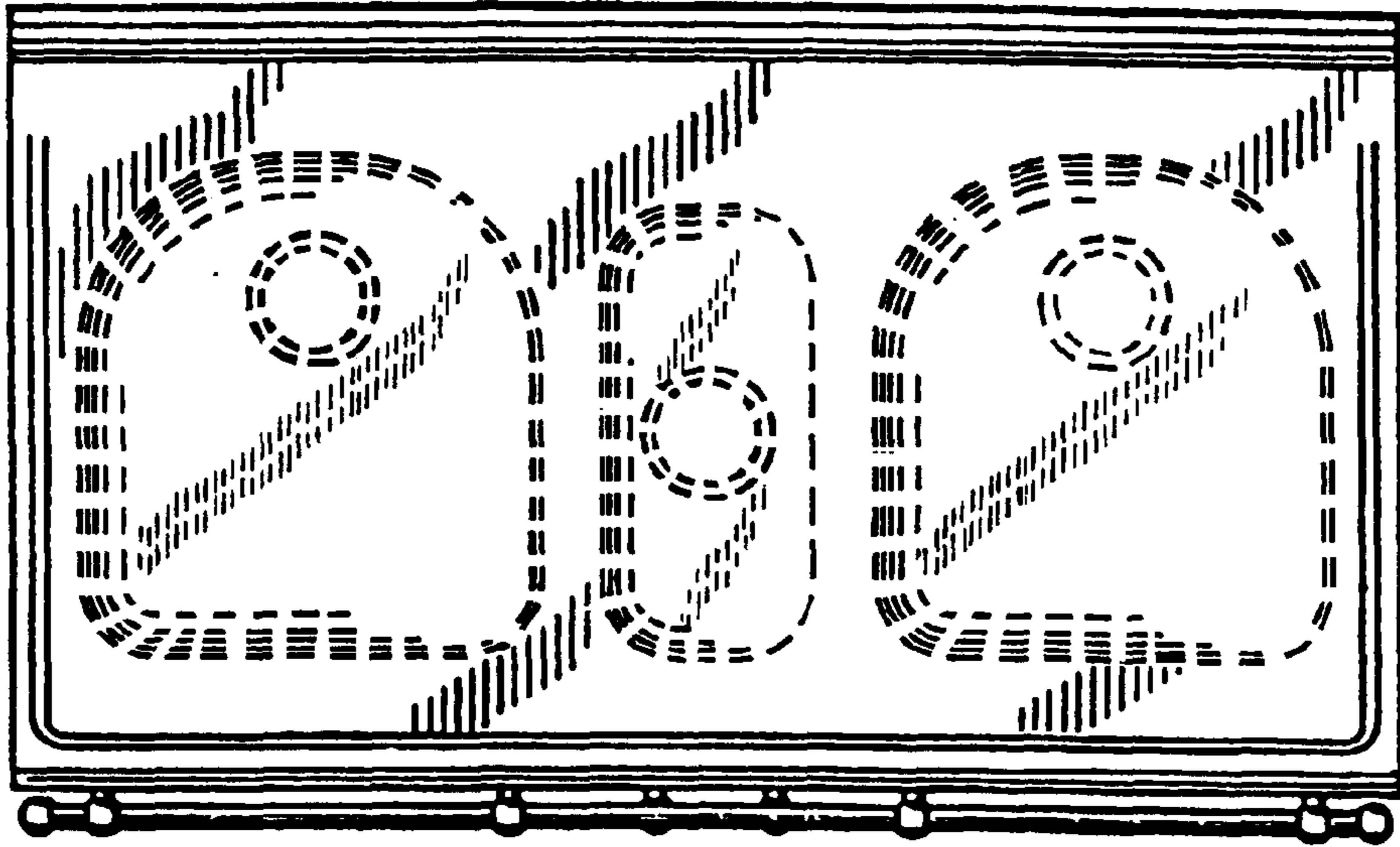


FIG. 19

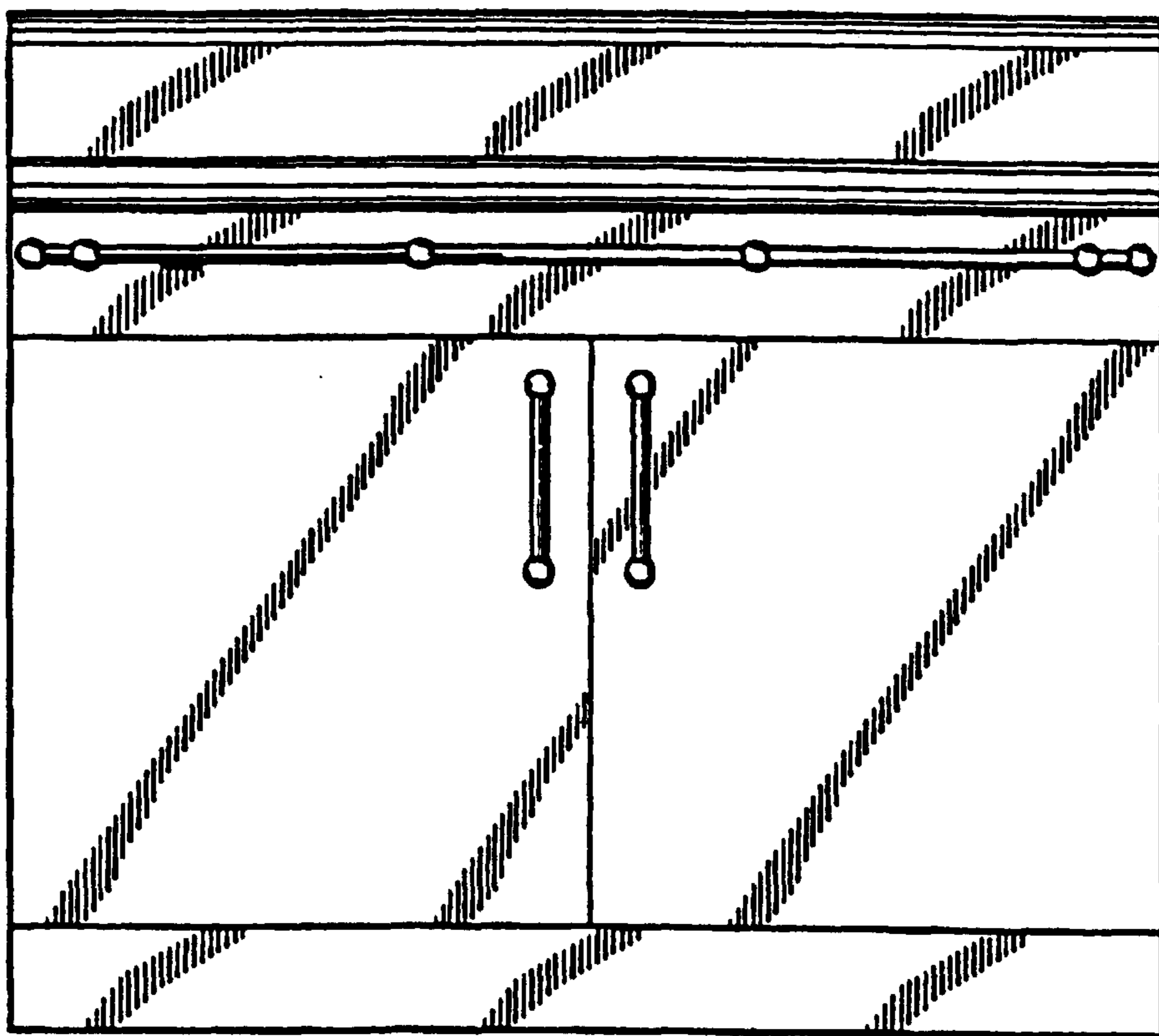


FIG. 20

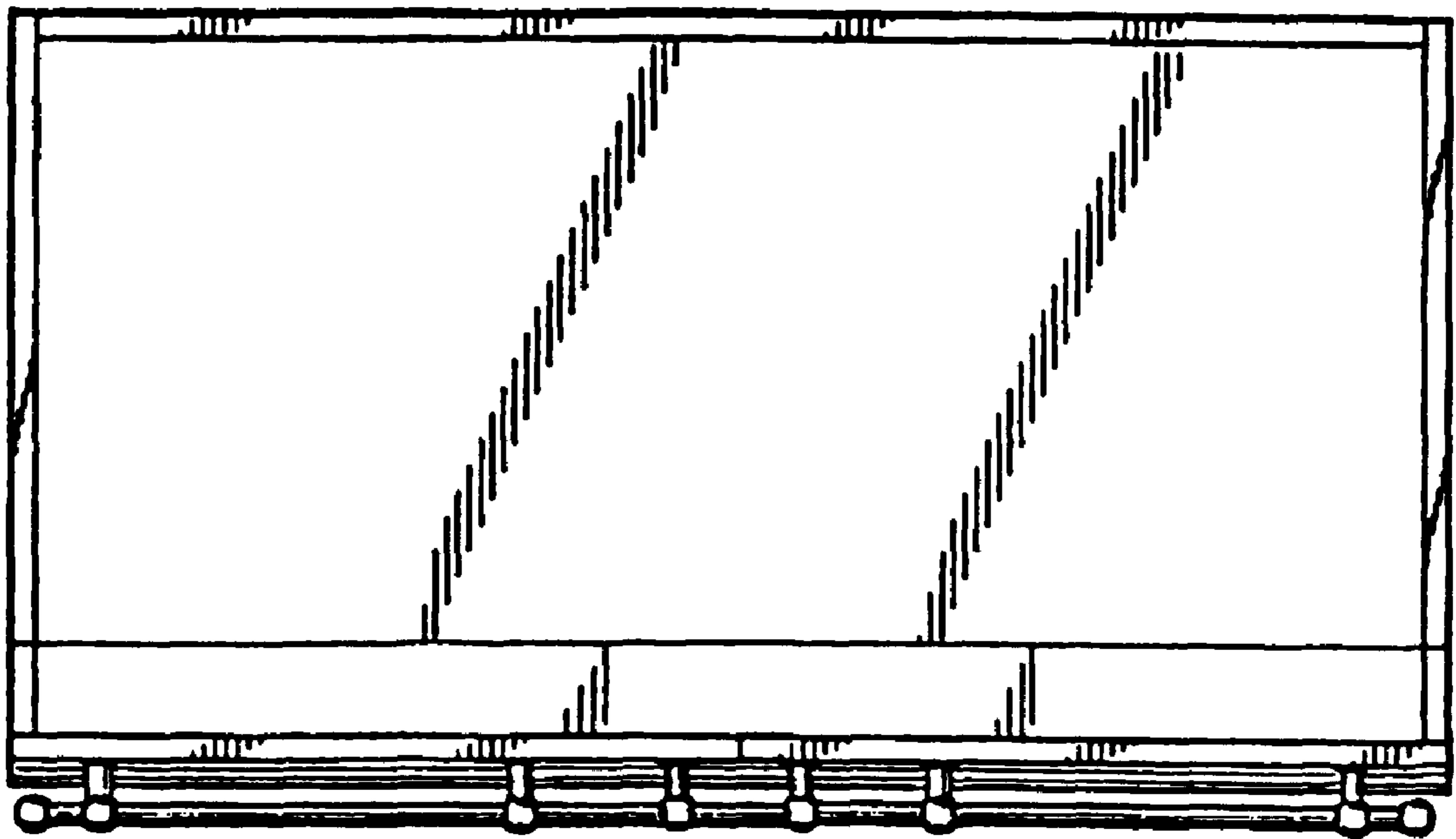


FIG. 21

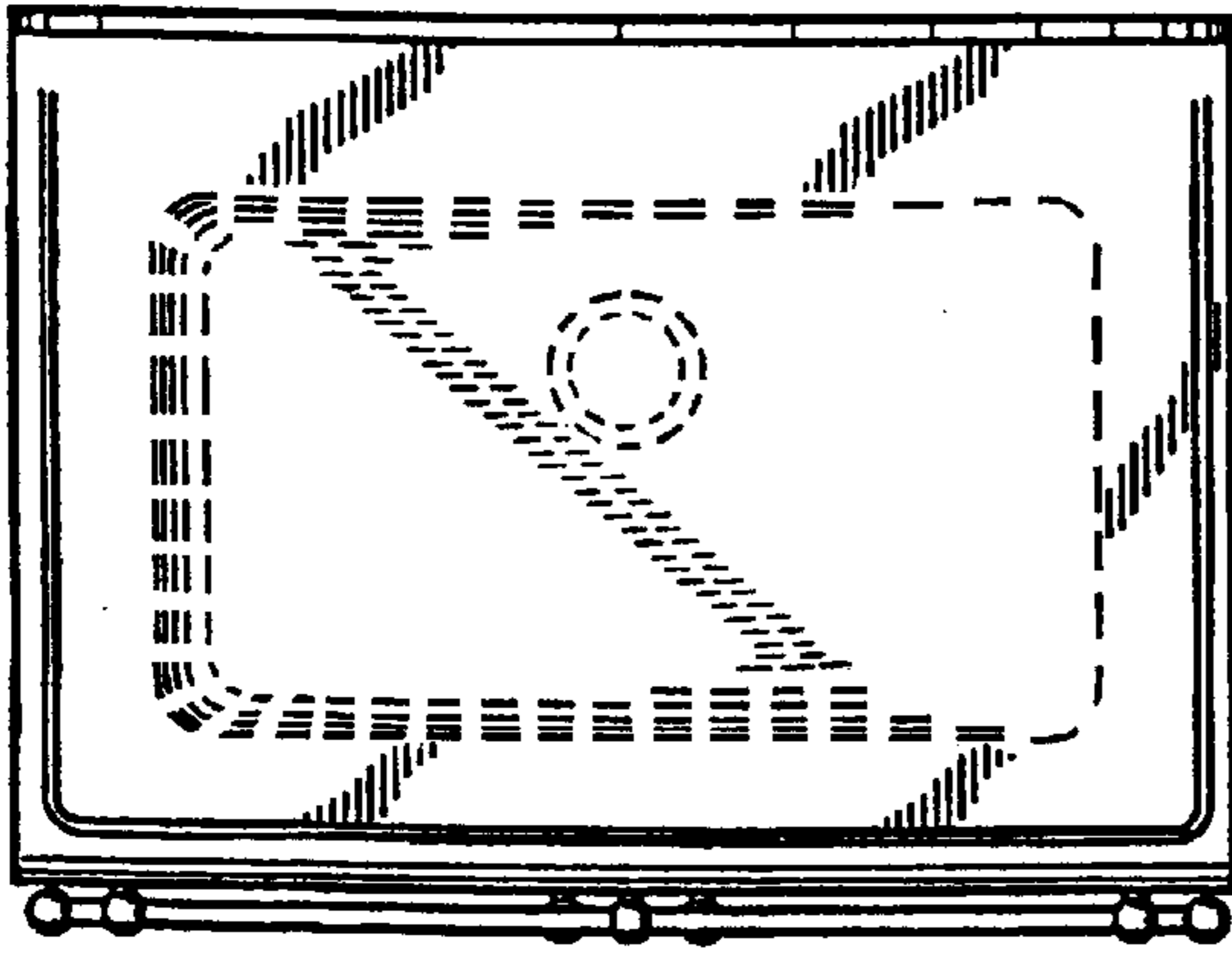


FIG. 22

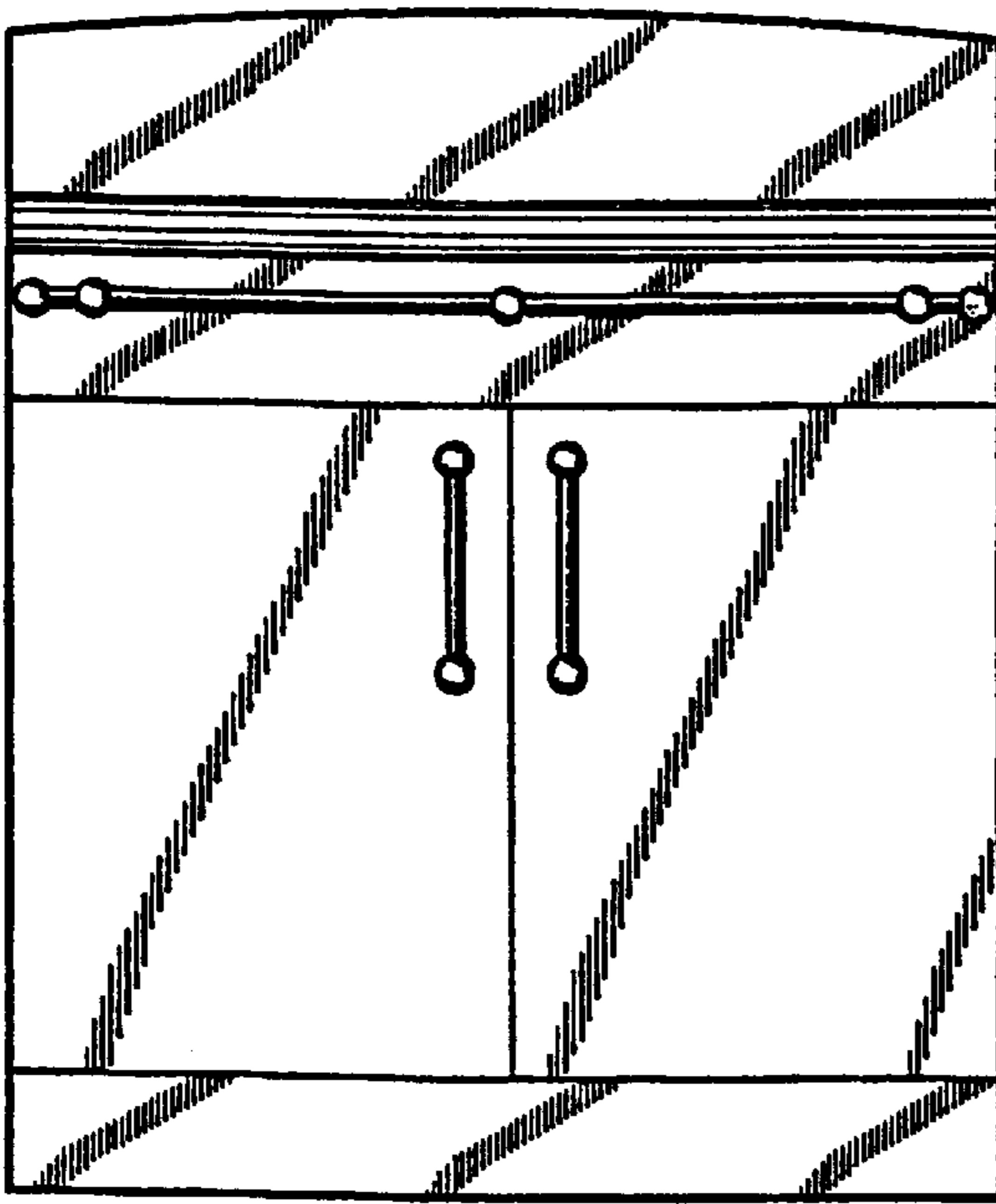


FIG. 23

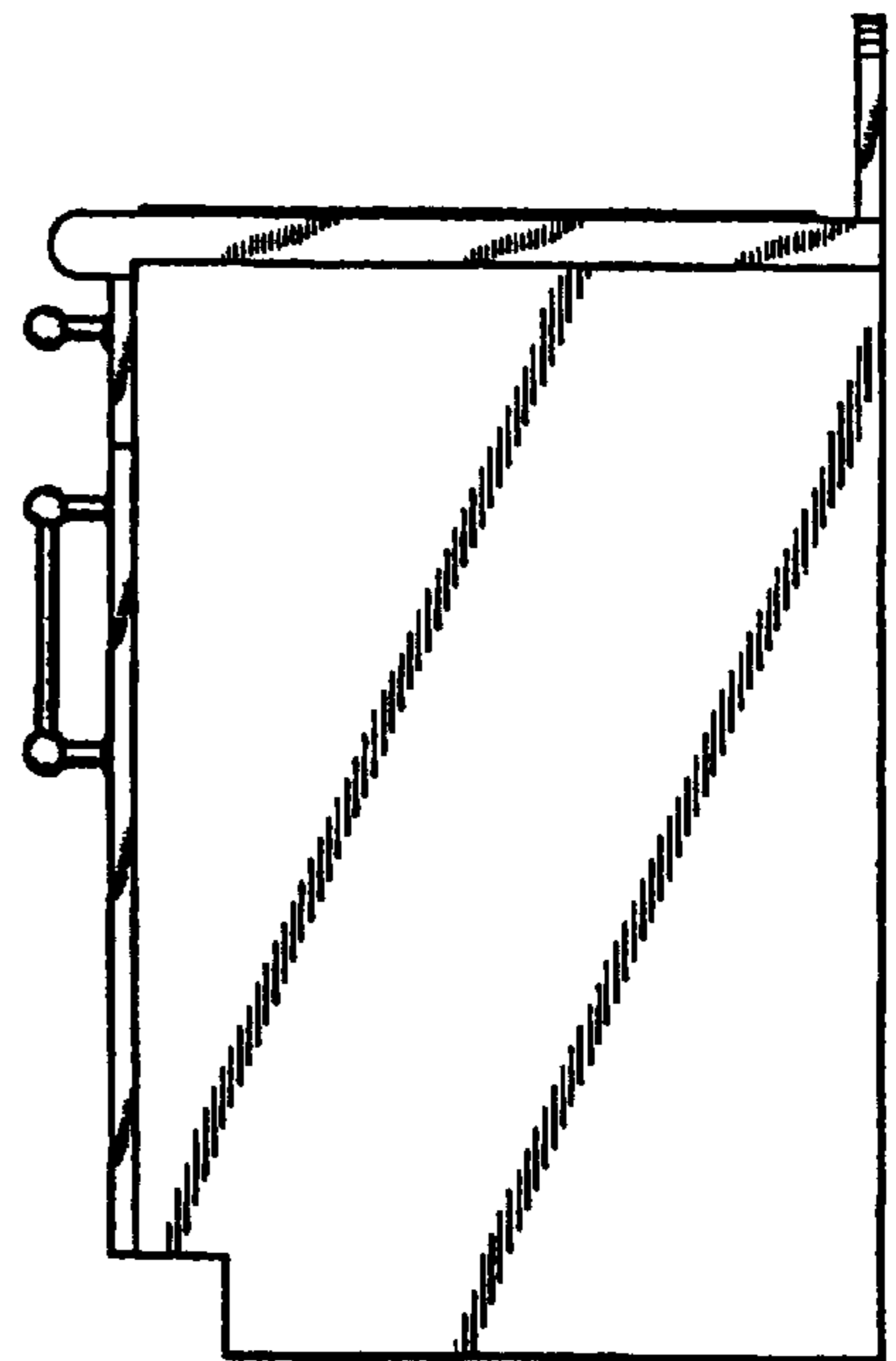


FIG. 24

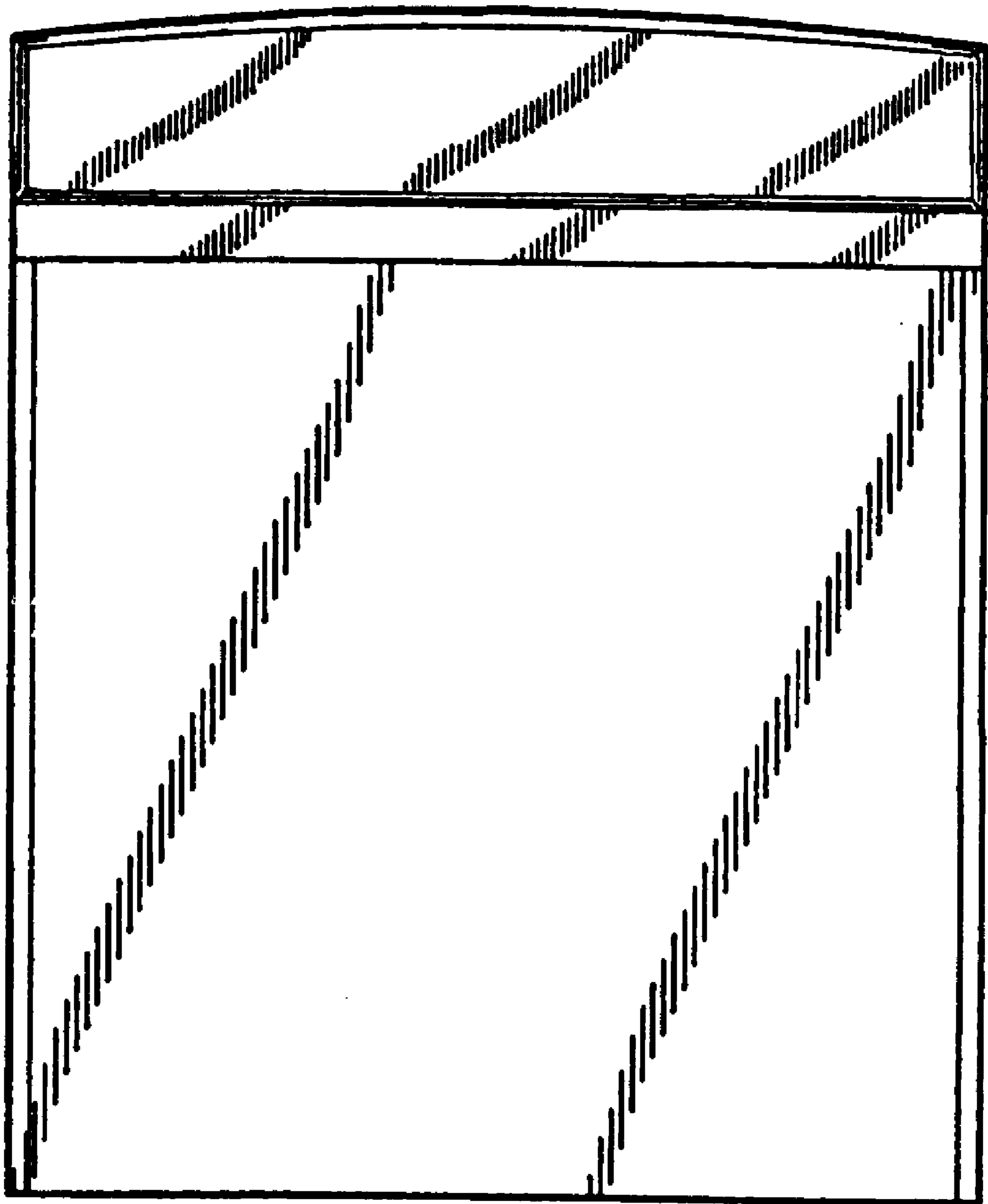


FIG. 25

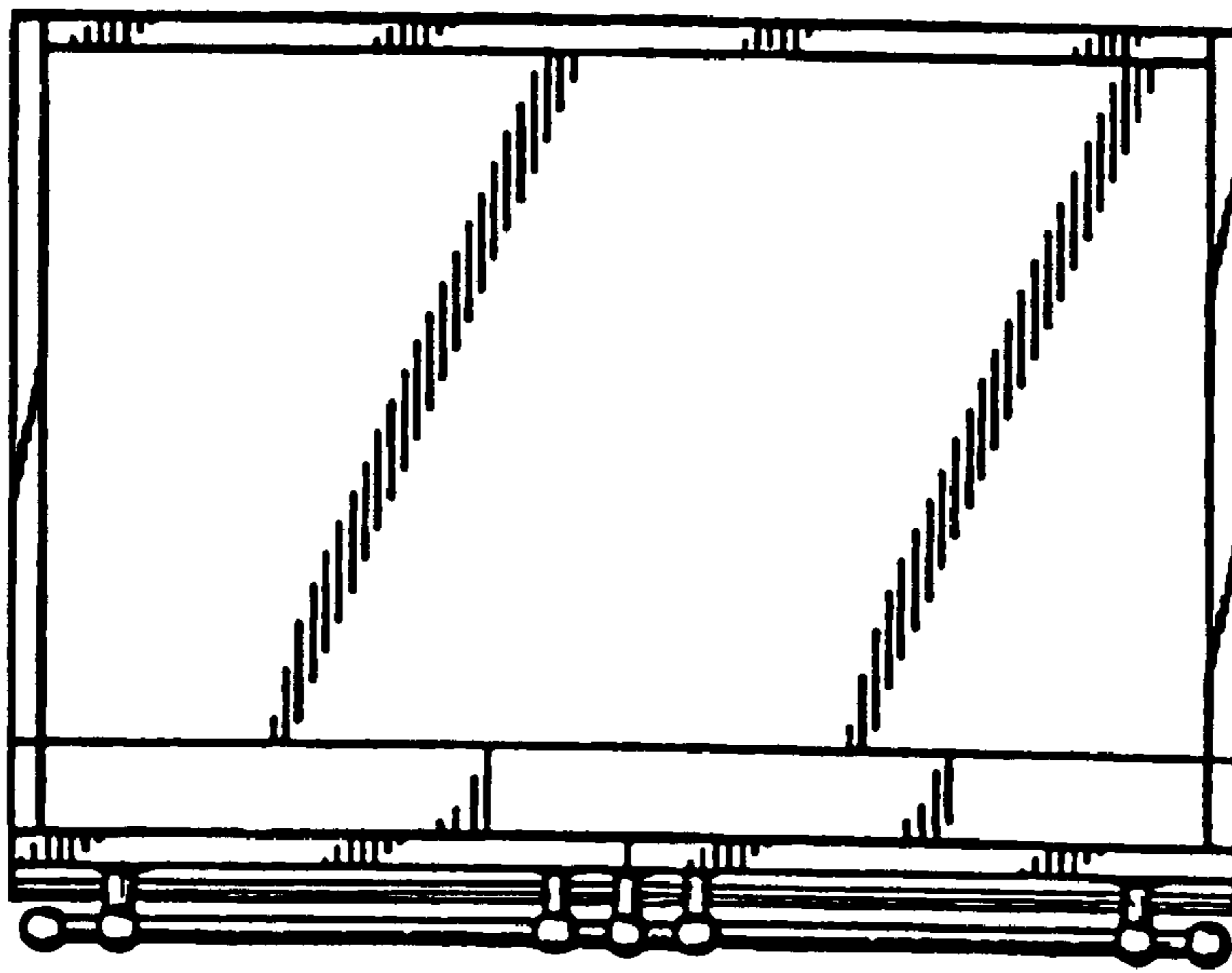


FIG. 26

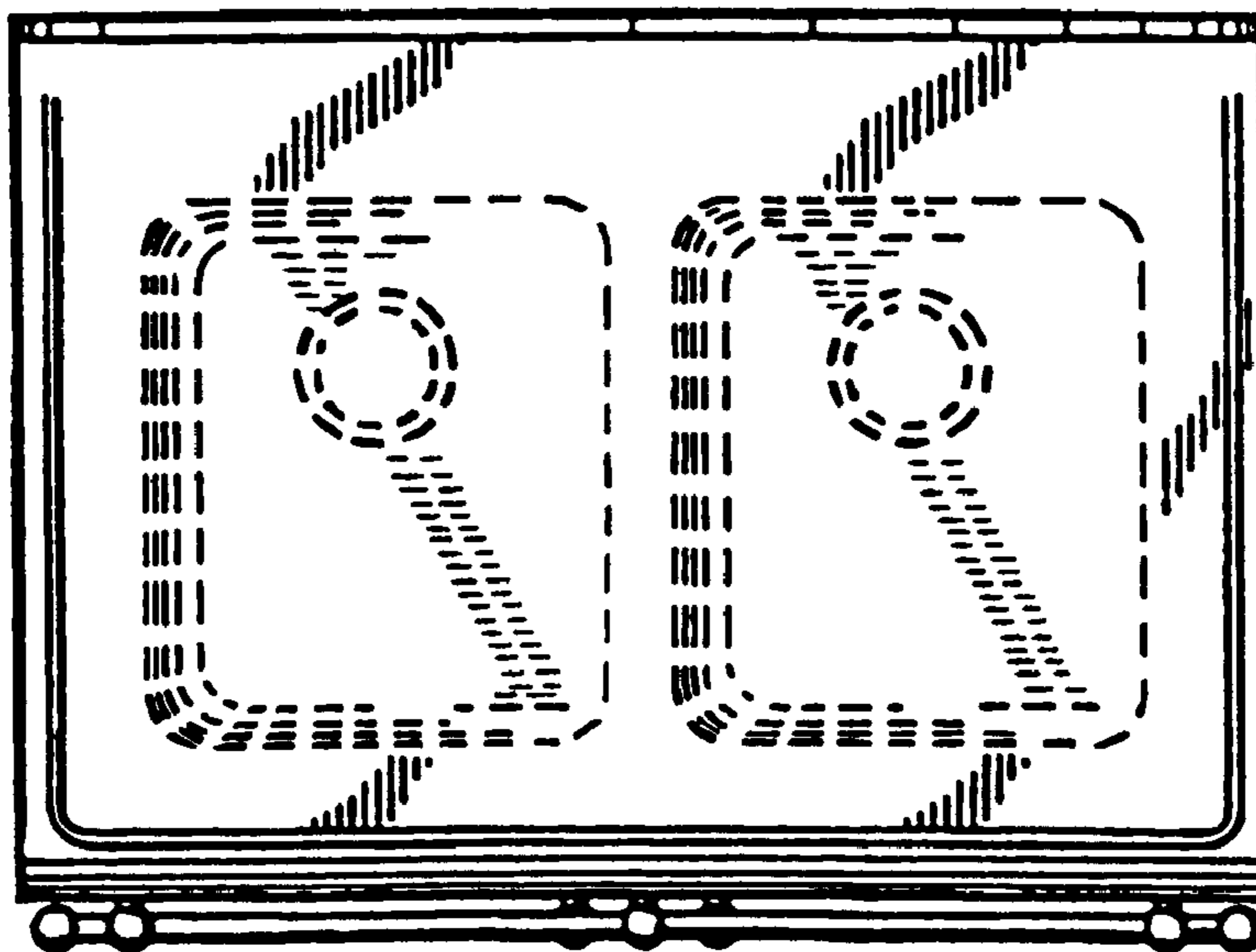


FIG. 27

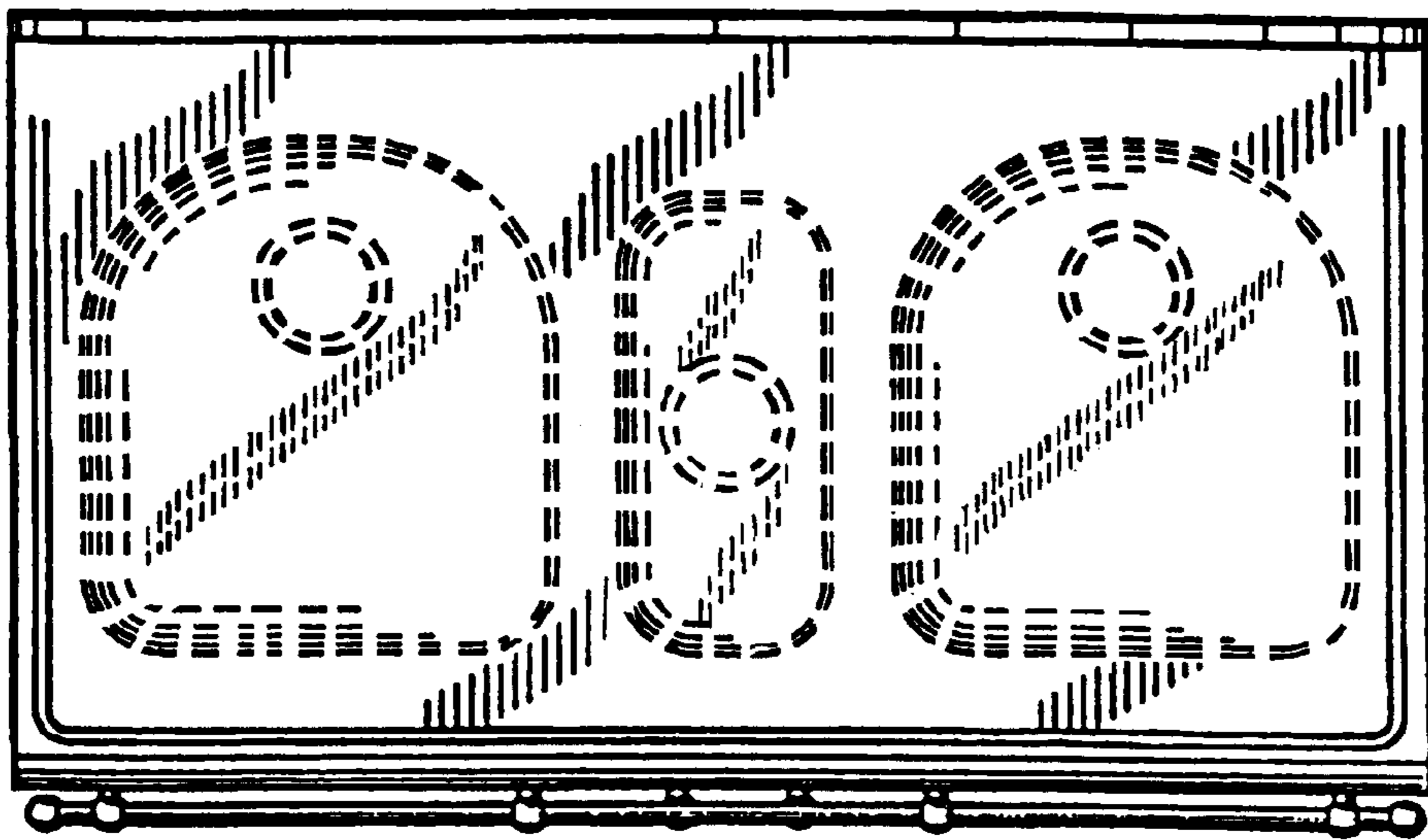


FIG. 28

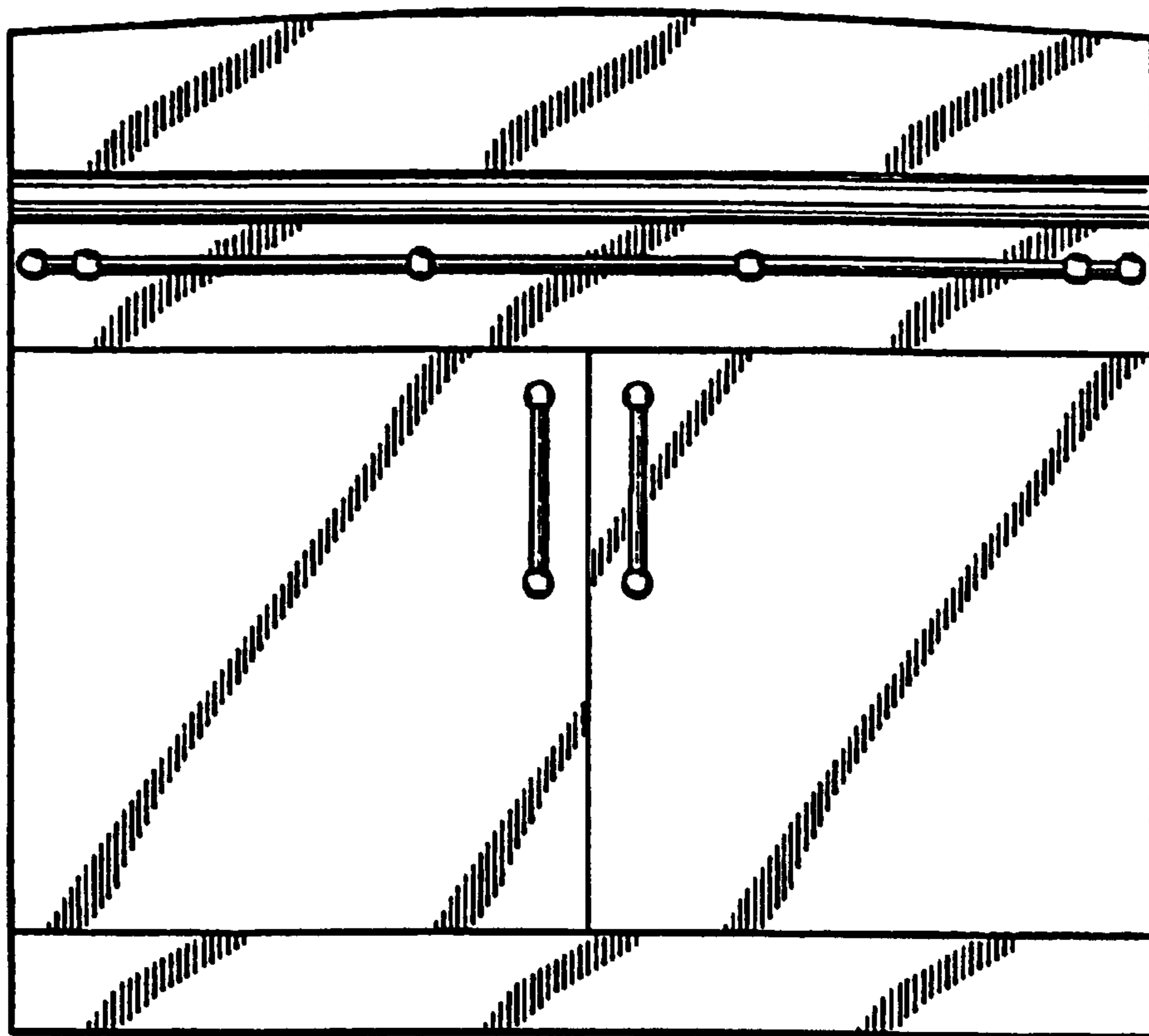


FIG. 29

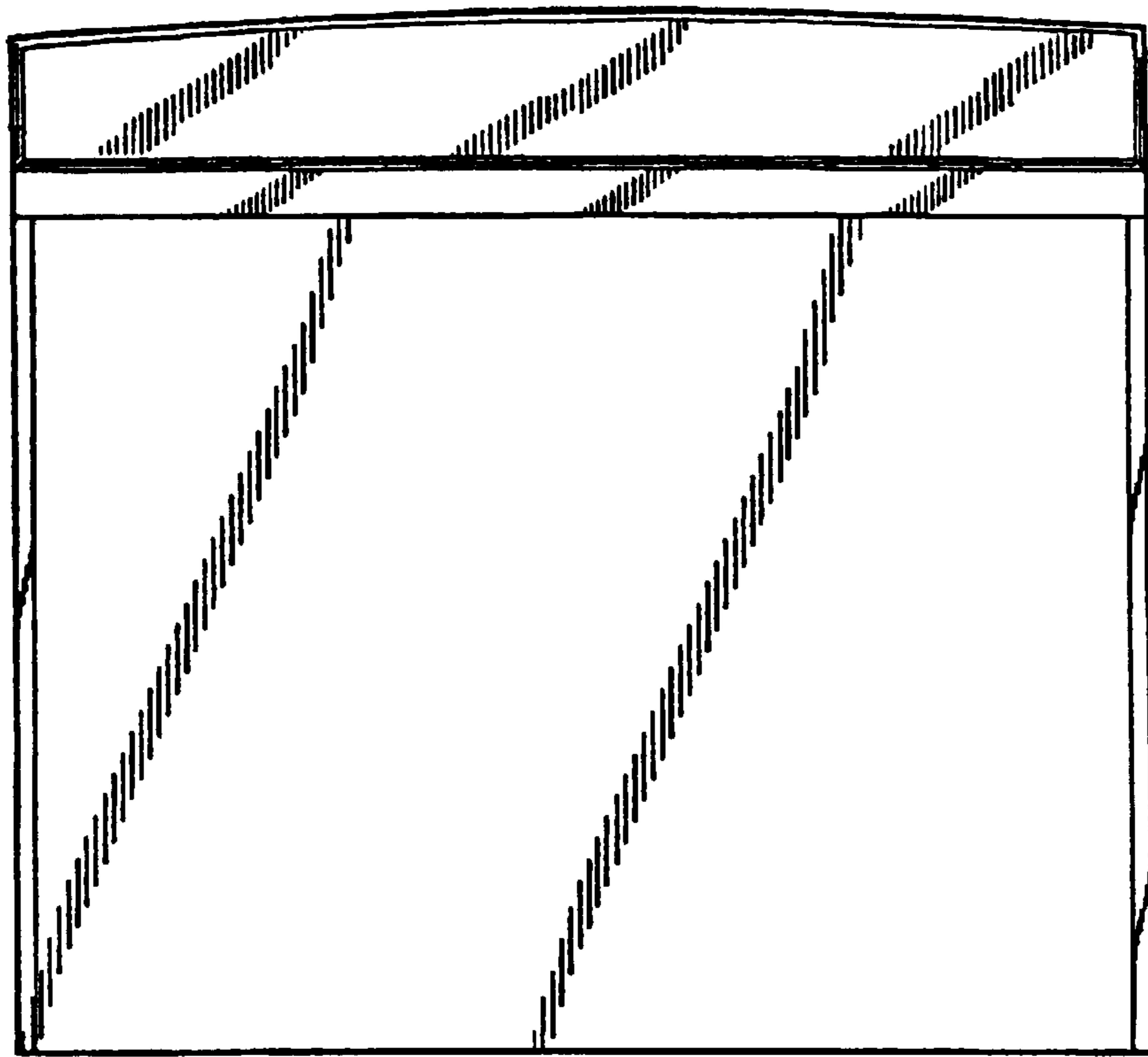


FIG. 30

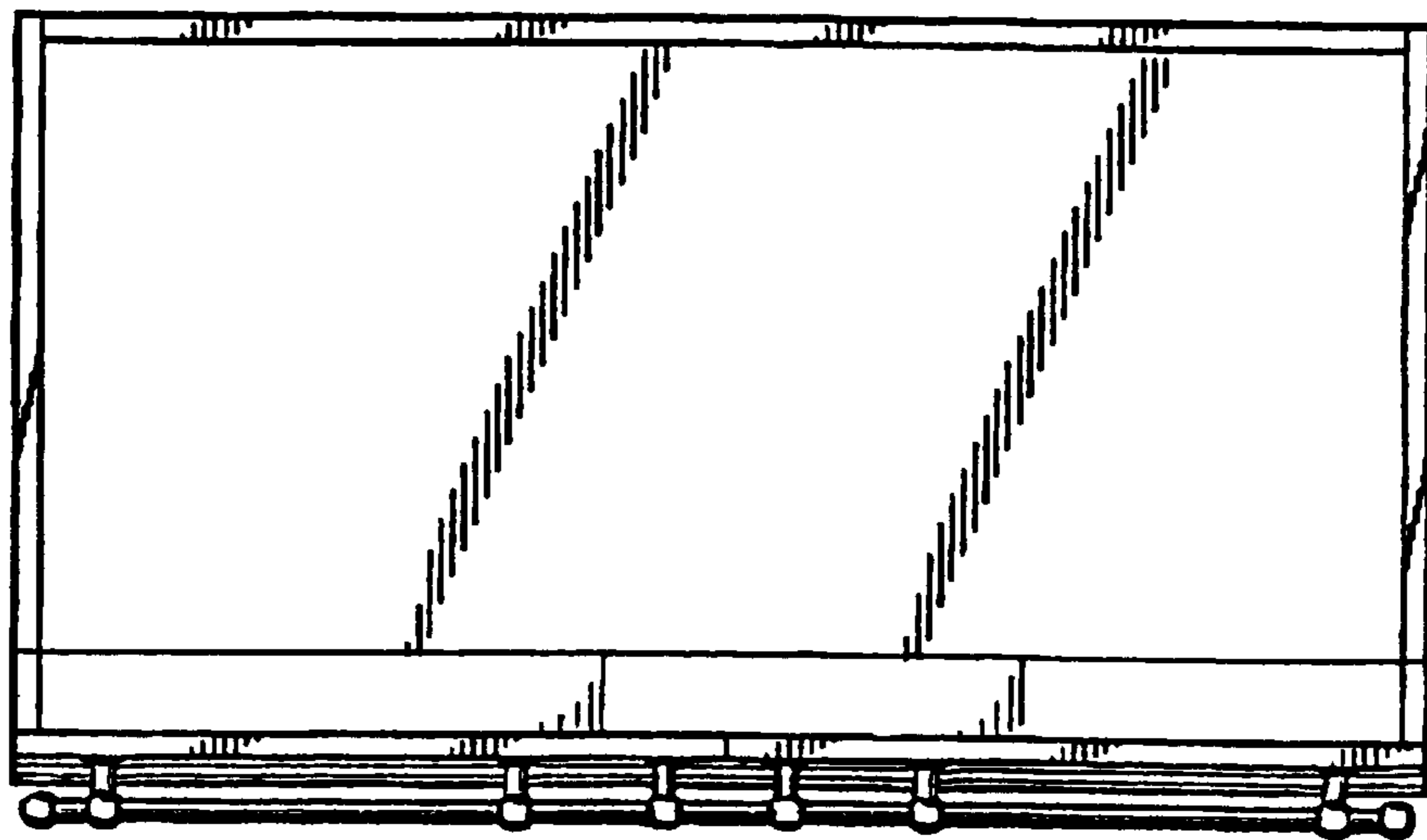


FIG. 31