



US00D445487S

(12) **United States Design Patent**
Burns et al.

(10) **Patent No.:** **US D445,487 S**

(45) **Date of Patent:** **** Jul. 24, 2001**

(54) **SHOWER DIVERTER CONTROL**

(75) Inventors: **Leonard J. Burns**, Amherst; **Lizabeth Dretzka**, Cleveland; **Thomas A. Frisco**, Brecksville; **Shannon Thomas**, Streetsboro, all of OH (US)

(73) Assignee: **Moen Incorporated**, North Olmsted, OH (US)

(**) Term: **14 Years**

(21) Appl. No.: **29/119,265**

(22) Filed: **Feb. 28, 2000**

(51) **LOC (7) Cl.** **23-01**

(52) **U.S. Cl.** **D23/254**

(58) **Field of Search** D23/238-243,
D23/245, 249-257; D8/300-310, 350-354;
4/675-678; 16/110 R-121; 137/801

(56) **References Cited**

U.S. PATENT DOCUMENTS

- D. 264,425 * 5/1982 Nippel et al. D8/351
- D. 318,717 7/1991 Spangler .
- D. 325,958 5/1992 Stairs, Jr. et al. .
- D. 332,824 1/1993 Robbins .
- D. 332,826 1/1993 Rosenbaum .
- D. 349,208 8/1994 Bollenbacher .
- D. 357,525 4/1995 Fabian .
- D. 371,826 7/1996 Robbins .
- D. 372,764 8/1996 Dubin .
- D. 377,516 1/1997 Doughty et al. .
- D. 378,230 2/1997 Doughty et al. .

- D. 384,133 9/1997 Doughty et al. .
- D. 390,638 2/1998 Ko .
- D. 391,831 3/1998 Doughty et al. .
- D. 395,812 7/1998 Doughty et al. .
- D. 402,005 12/1998 Ko .
- D. 403,054 * 12/1998 Lobermeier D23/254
- D. 403,410 12/1998 Doughty et al. .
- D. 406,876 3/1999 Ko .
- D. 411,732 * 6/1999 Chamberlain D8/350
- D. 433,488 * 11/2000 Milrud et al. D23/254
- D. 433,489 * 11/2000 Burns et al. D23/254
- D. 435,288 * 12/2000 Milrud et al. D23/254

* cited by examiner

Primary Examiner—Louis S. Zarfaz

Assistant Examiner—Gregory Andoll

(74) *Attorney, Agent, or Firm*—Cook, Alex, McFarron, Manzo, Cummings & Mehler, Ltd.

(57) **CLAIM**

The ornamental design for a shower diverter control, as shown and described.

DESCRIPTION

FIG. 1 is a front perspective view of our new design for a shower diverter control;

FIG. 2 is a left side view thereof, the right side being the same as the left side;

FIG. 3 is a front view thereof;

FIG. 4 is a top view thereof;

FIG. 5 is a bottom view thereof; and,

FIG. 6 is a rear view thereof.

1 Claim, 2 Drawing Sheets

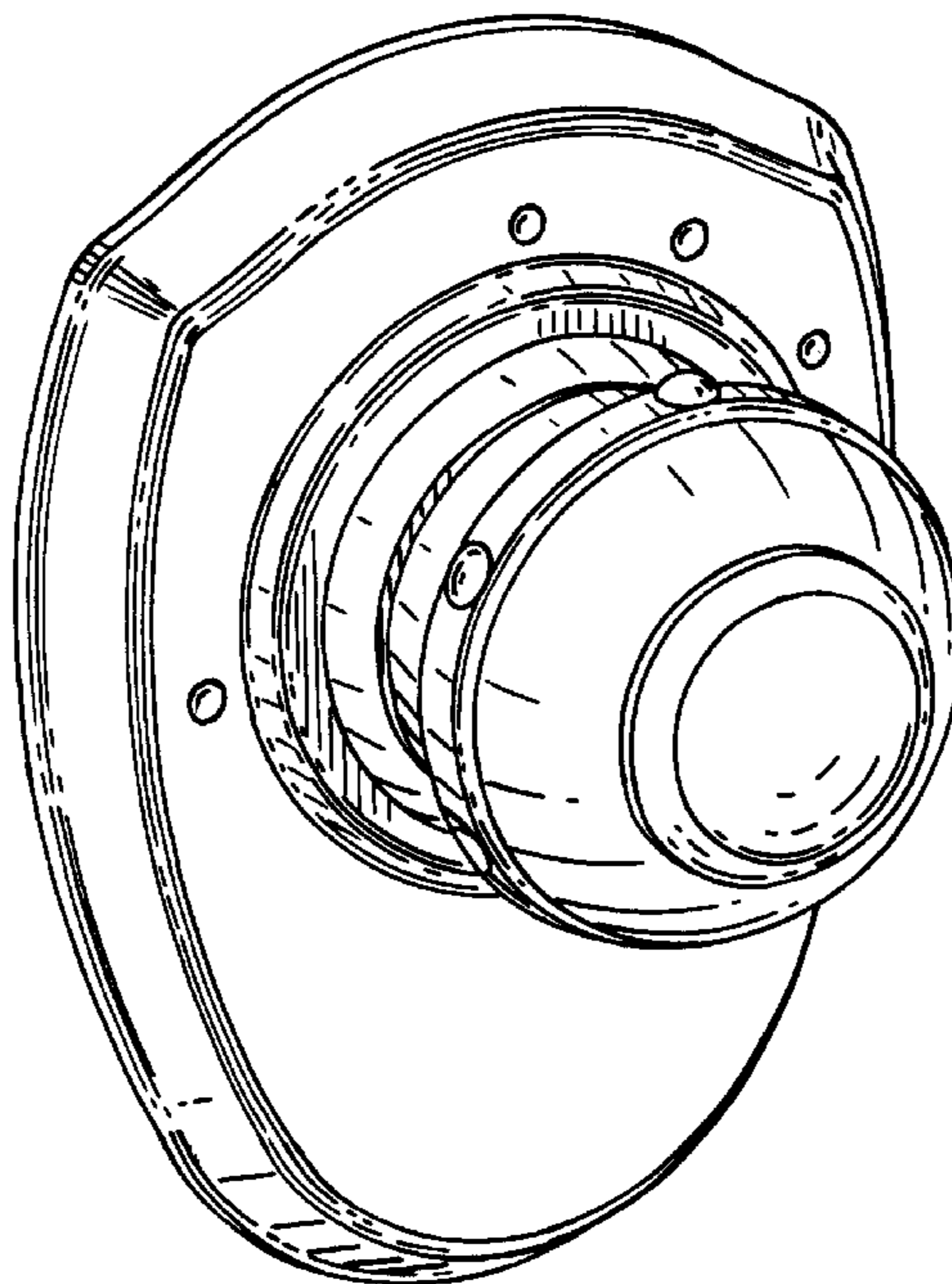


Fig. 1.

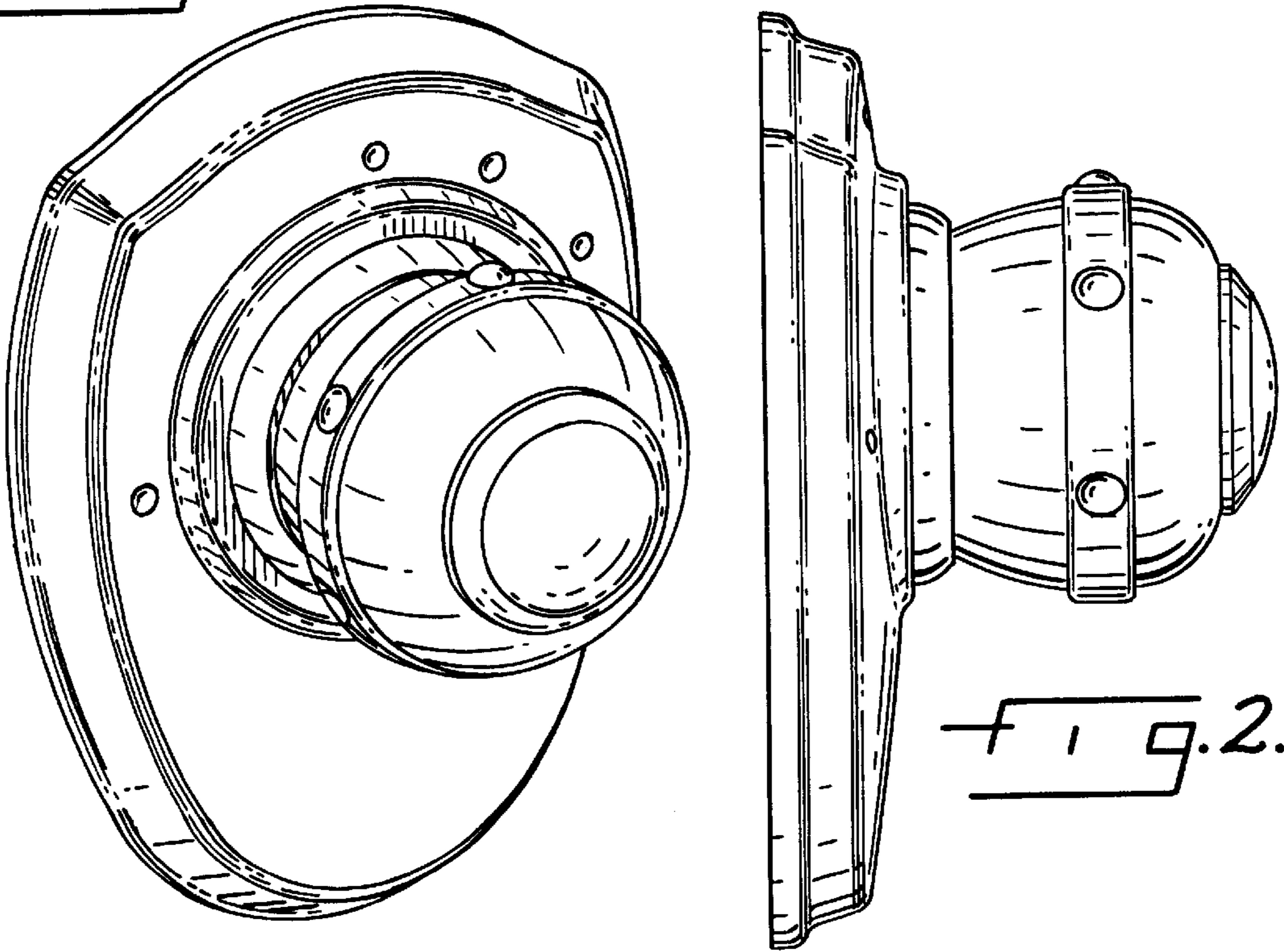


Fig. 2.

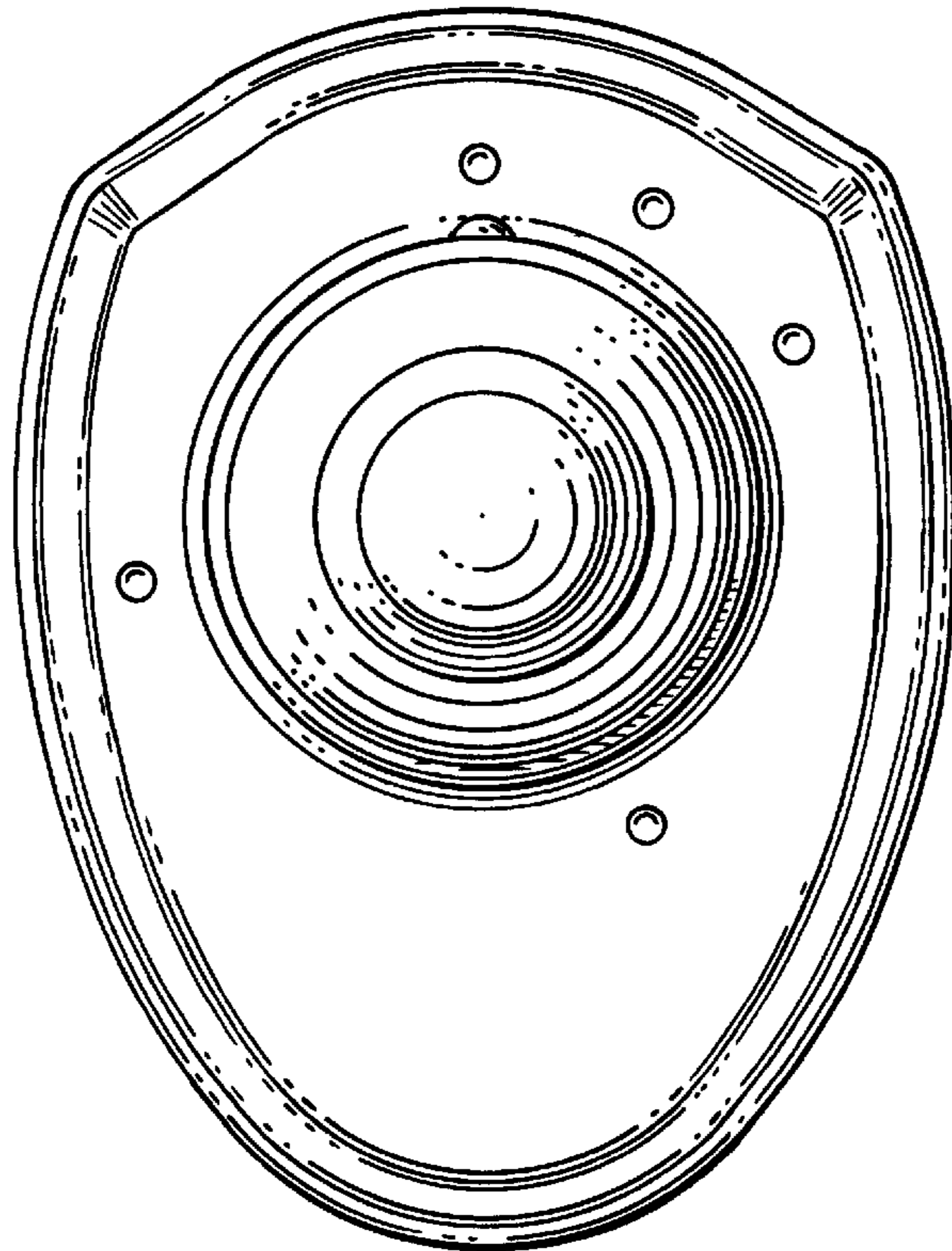


Fig. 3.

