



US00D445484S

(12) **United States Design Patent**  
**Wen**

(10) **Patent No.:** **US D445,484 S**

(45) **Date of Patent:** **\*\* Jul. 24, 2001**

(54) **FAUCET**

(76) **Inventor:** **Kuo-Liang Wen**, No. 43, Lane 196,  
Sec. 2, Kwang-Fu Rd., Sanchung City,  
Taipei Hsien (TW)

(\*\*) **Term:** **14 Years**

(21) **Appl. No.:** **29/136,077**

(22) **Filed:** **Jan. 25, 2001**

(51) **LOC (7) Cl.** ..... **23-01**

(52) **U.S. Cl.** ..... **D23/243; D23/242**

(58) **Field of Search** ..... **D23/238-243,**  
**D23/245, 249-257; D8/300-310, 350-354;**  
**4/675-678; 16/110 R-121; 137/801**

(56) **References Cited**

**U.S. PATENT DOCUMENTS**

- D. 106,319 \* 10/1937 Morgan ..... D23/243
- D. 284,993 \* 8/1986 Yost ..... D23/241
- D. 376,414 \* 10/1996 Doughty et al. .... D23/241

- D. 397,424 \* 8/1998 Ficken, Jr. et al. .... D23/241
- D. 409,285 \* 5/1999 Donahue et al. .... D23/241
- D. 429,316 \* 8/2000 McKeone ..... D23/238

\* cited by examiner

*Primary Examiner*—Louis S. Zarfes

*Assistant Examiner*—Gregory Andoll

(74) *Attorney, Agent, or Firm*—Bacon & Thomas, PLLC

(57) **CLAIM**

The ornamental design for a faucet, as shown.

**DESCRIPTION**

FIG. 1 is a perspective view of a faucet, showing my new design;

FIG. 2 is a front view thereof;

FIG. 3 is a rear view thereof;

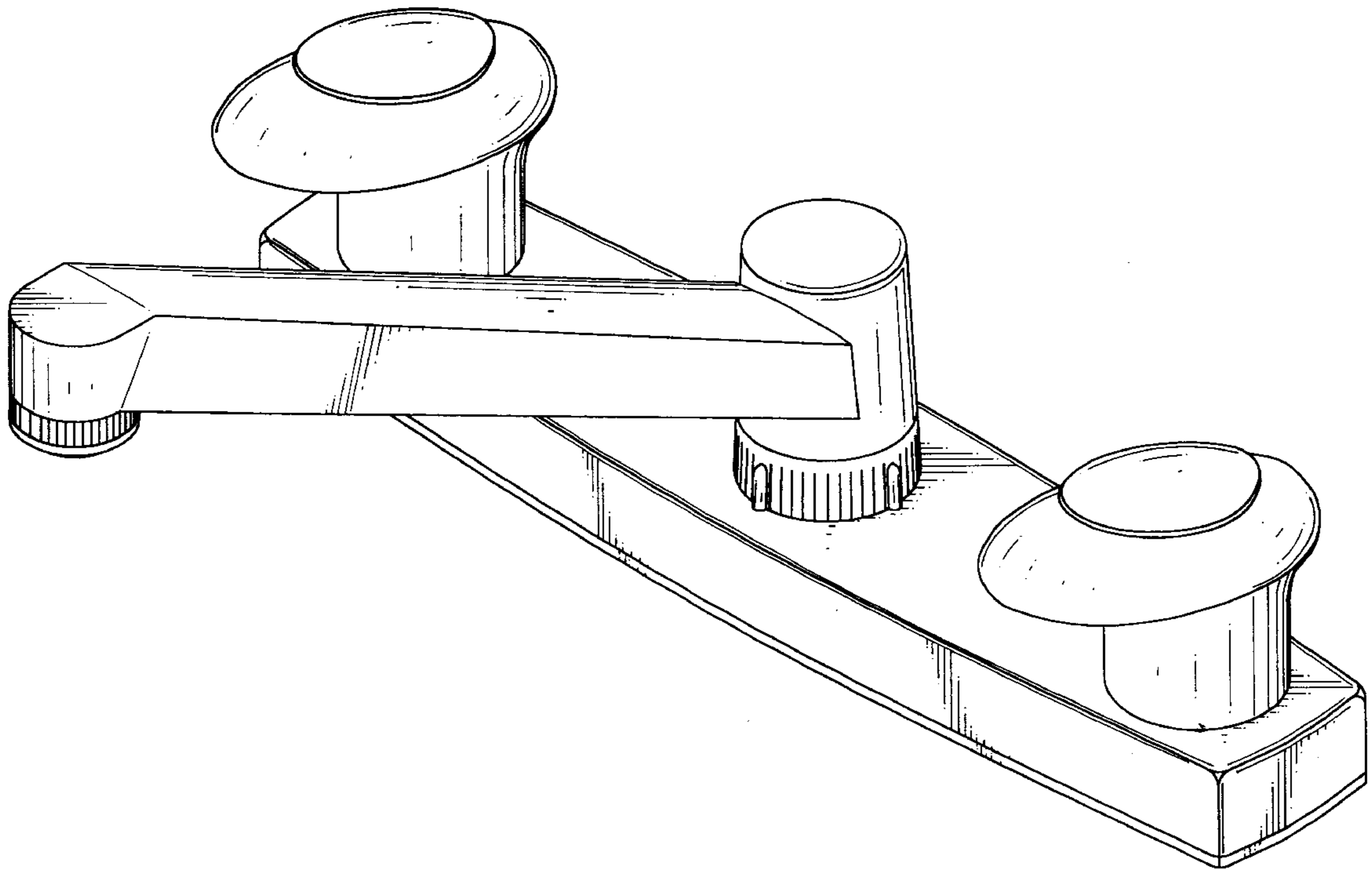
FIG. 4 is a left side view thereof;

FIG. 5 is a right side view thereof;

FIG. 6 is a top plan view thereof; and,

FIG. 7 is a bottom plan view thereof.

**1 Claim, 7 Drawing Sheets**



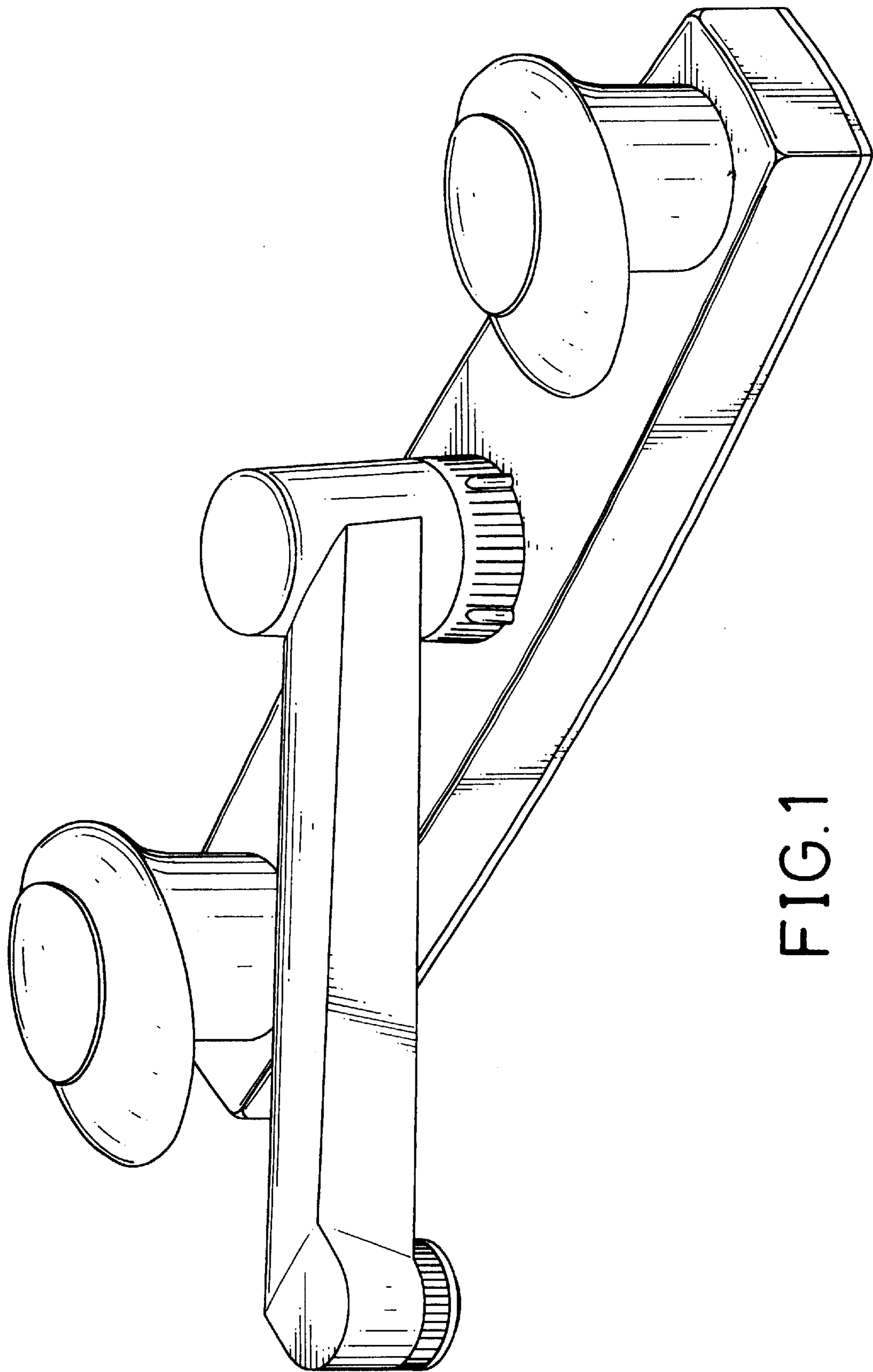


FIG. 1

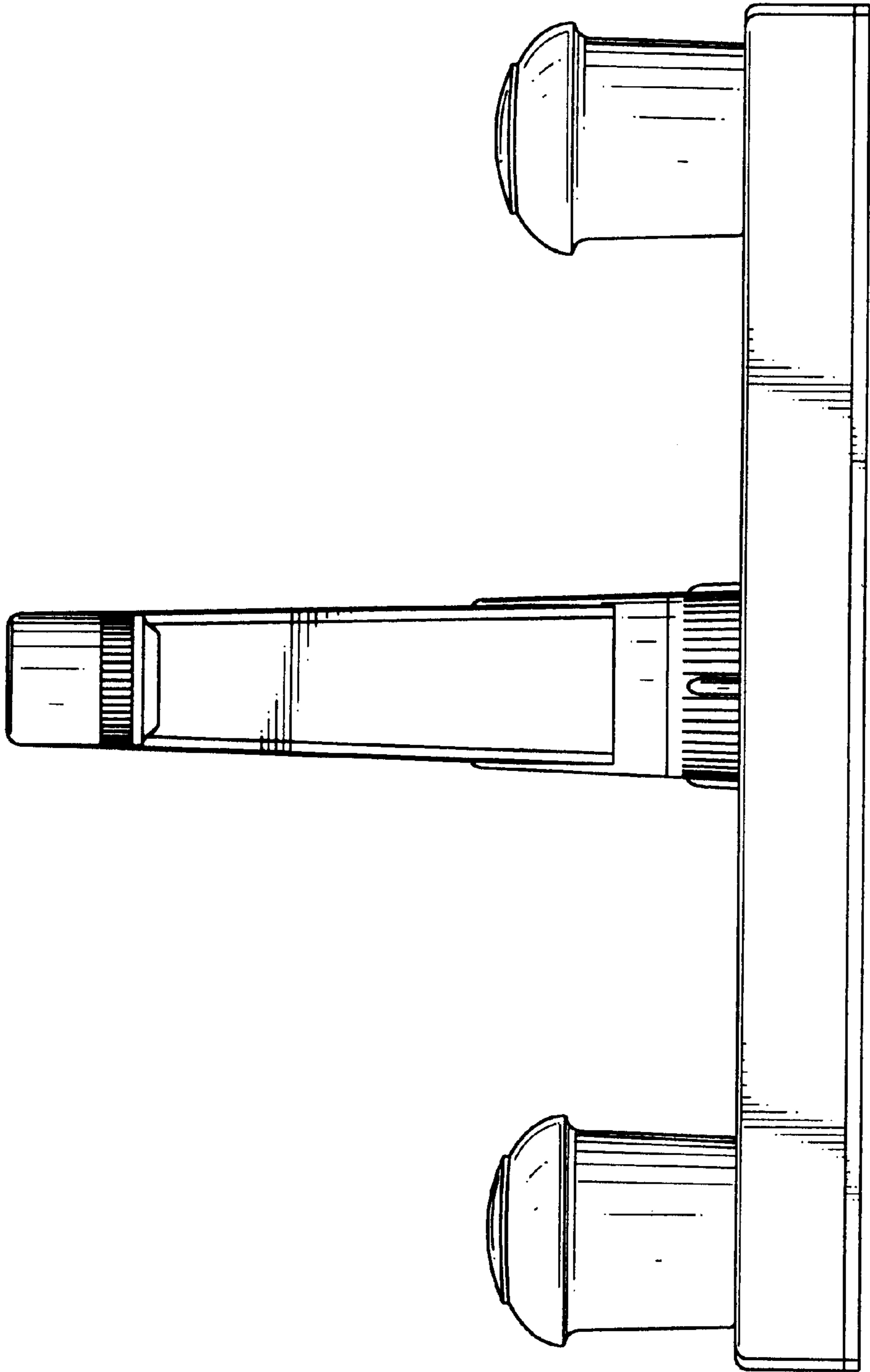


FIG. 2

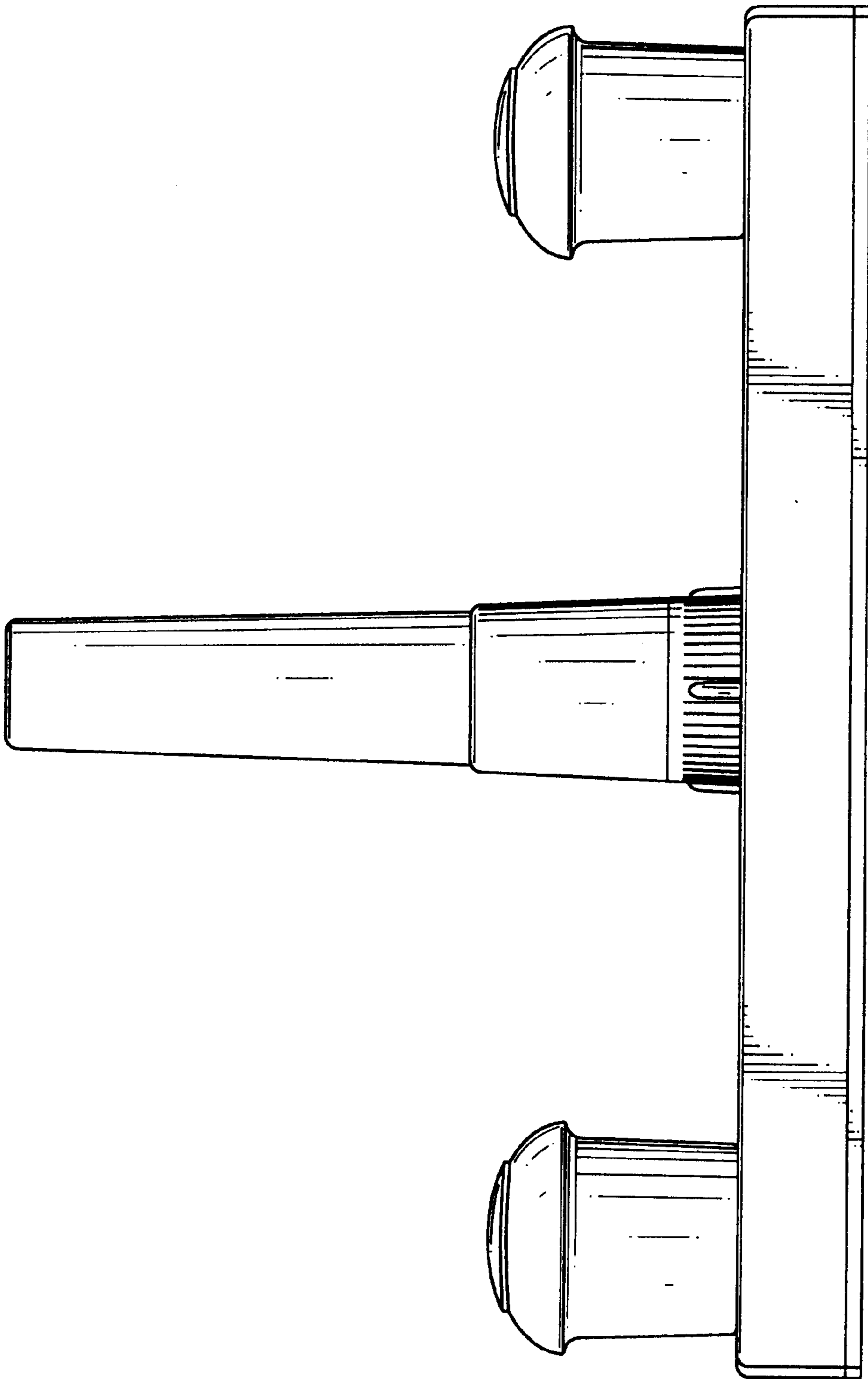


FIG.3

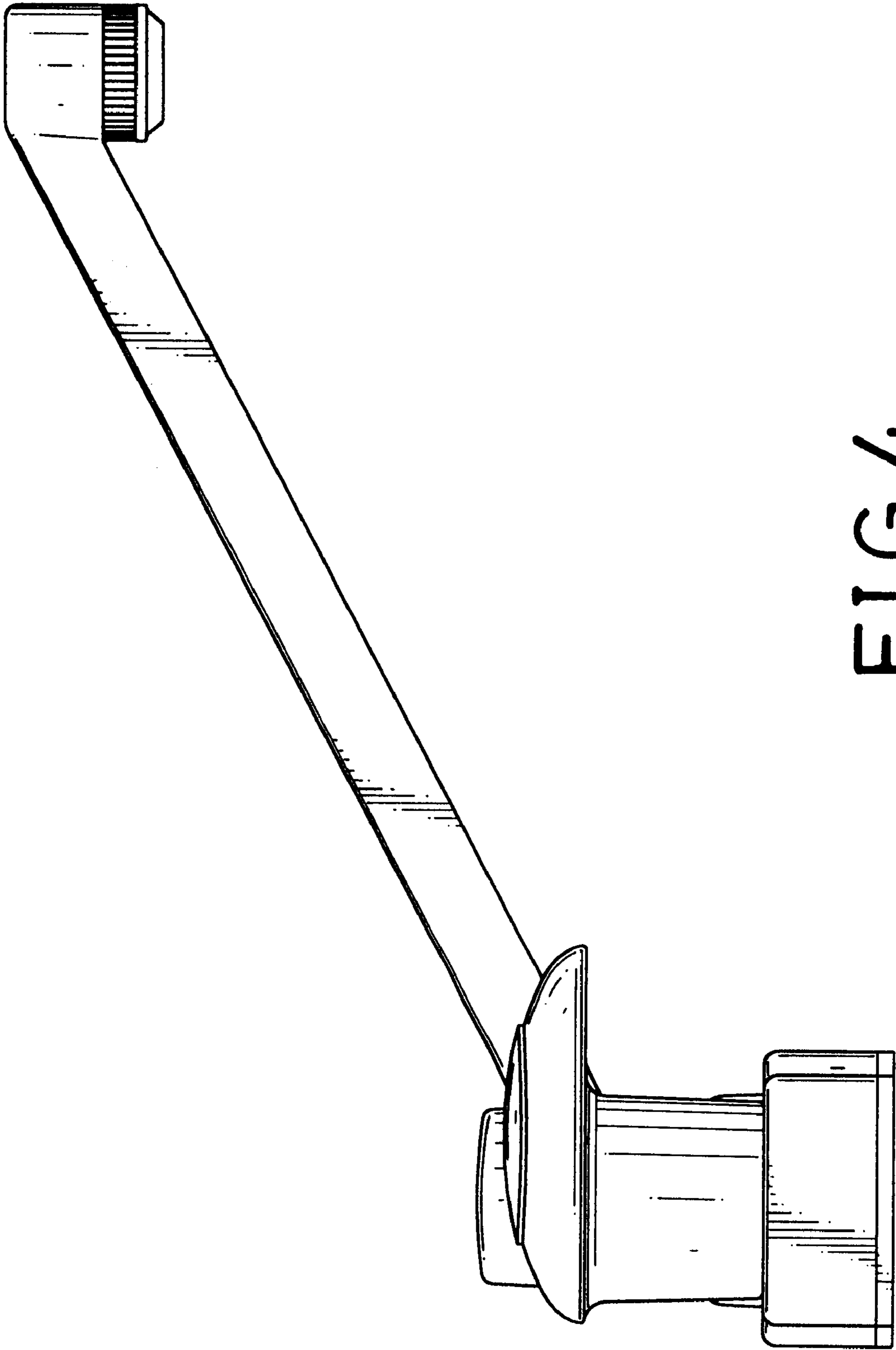


FIG. 4

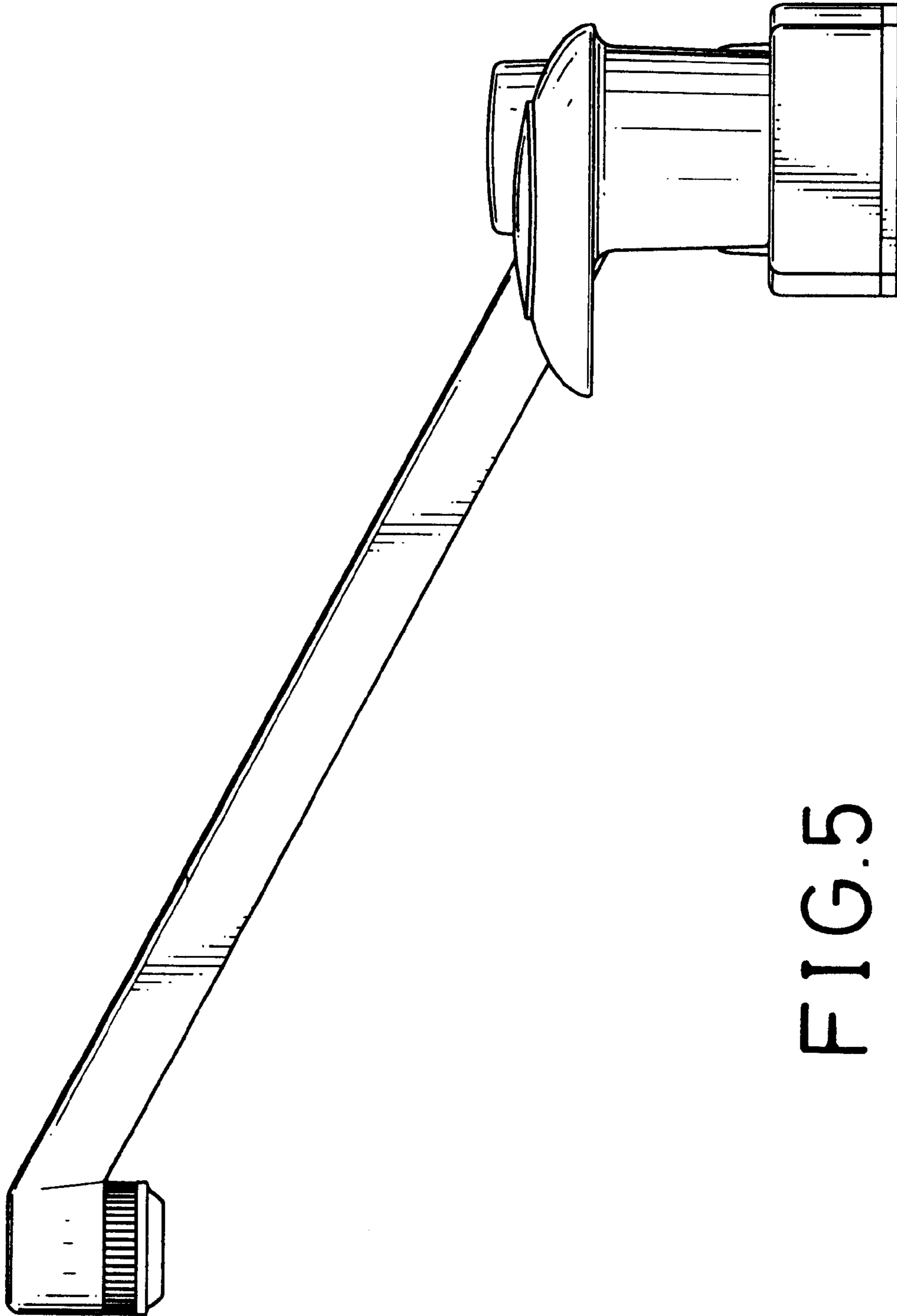


FIG. 5

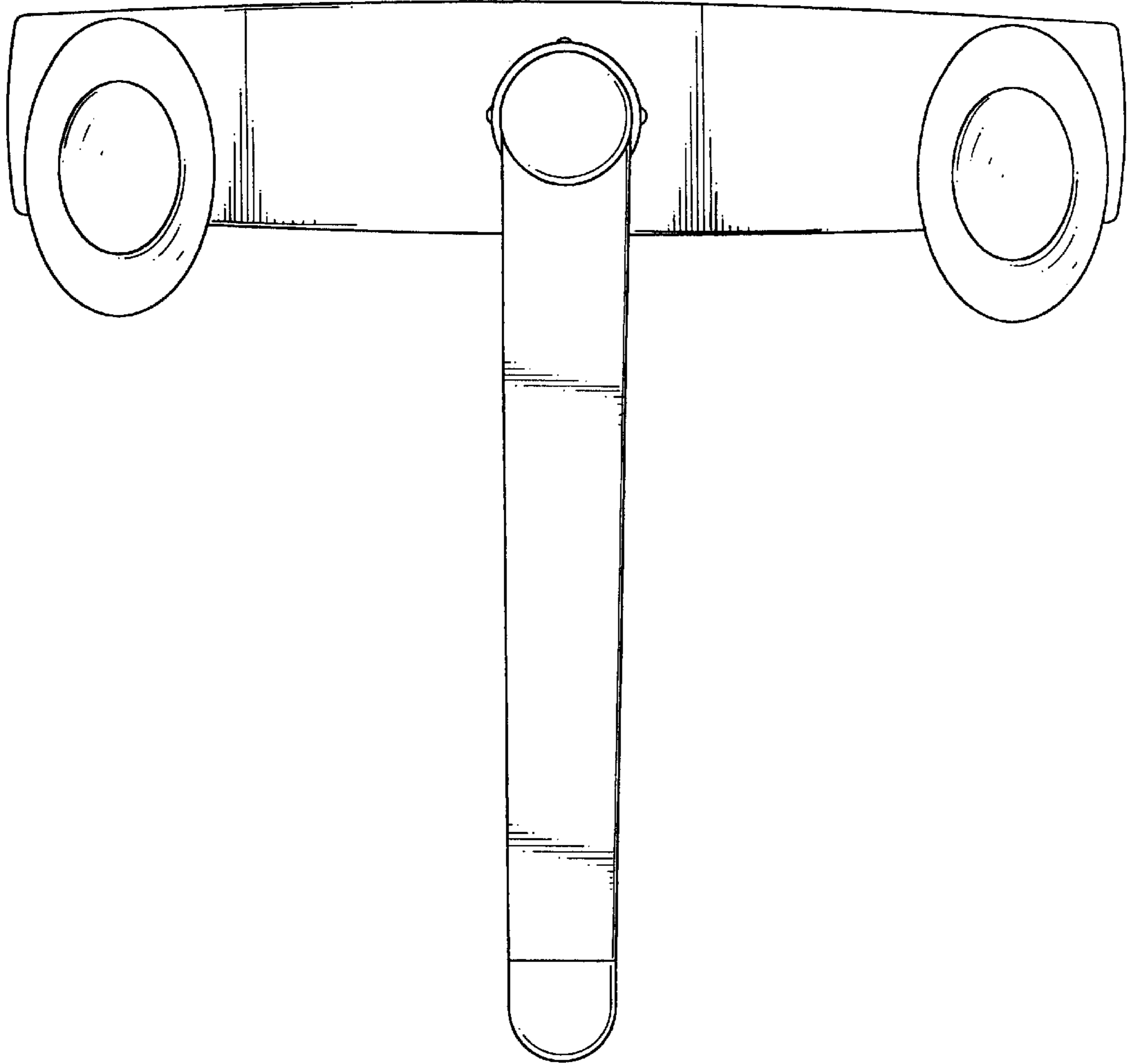


FIG. 6

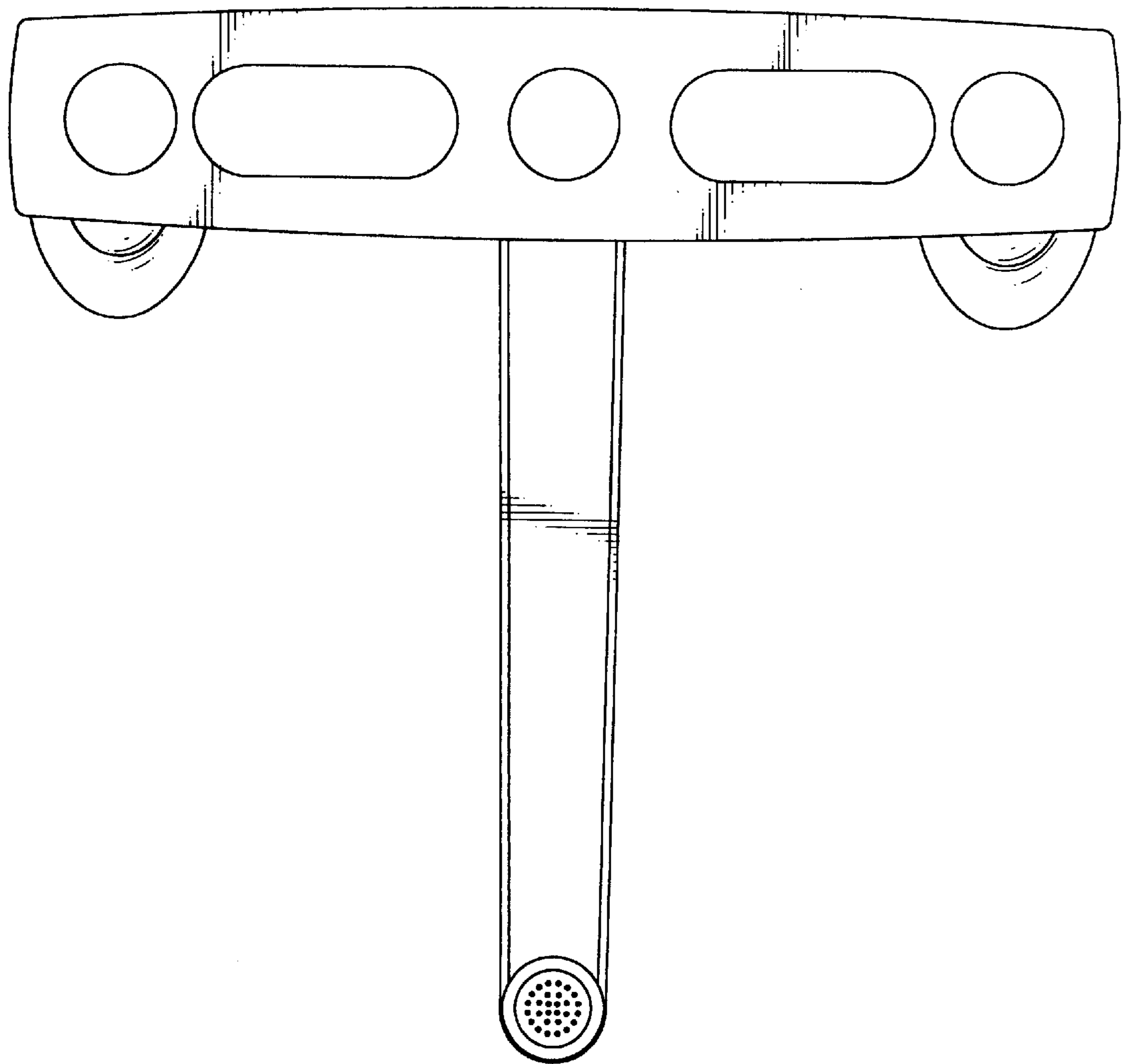


FIG.7