



US00D445483S

(12) **United States Design Patent**
Dretzka et al.

(10) **Patent No.:** **US D445,483 S**

(45) **Date of Patent:** **** Jul. 24, 2001**

(54) **FAUCET BODY**

(75) **Inventors:** **Lizabeth Dretzka**, Cleveland Heights;
Paul P. Kolada, Bexley; **Dana J. Koppes**; **Michael J. Painter**, both of Columbus, all of OH (US)

(73) **Assignee:** **Moen Incorporated**, North Olmsted, OH (US)

(**) **Term:** **14 Years**

(21) **Appl. No.:** **29/122,094**

(22) **Filed:** **Apr. 19, 2000**

(51) **LOC (7) Cl.** **23-01**

(52) **U.S. Cl.** **D23/241**

(58) **Field of Search** D23/238-243,
D23/245, 249-257; D8/300-310, 350-354;
4/675, 678; 16/110 R-121; 137/801

(56) **References Cited**

U.S. PATENT DOCUMENTS

- D. 140,556 3/1945 Stanitz .
- D. 202,772 11/1965 Henry .
- D. 254,147 2/1980 Colani .
- D. 296,354 6/1988 Fabian .
- D. 309,006 7/1990 Spangler .
- D. 324,807 3/1992 Reid et al. .
- D. 336,946 6/1993 Levien .
- D. 337,813 7/1993 Levien .
- D. 346,644 5/1994 Bonnell .
- D. 346,645 5/1994 Hill et al. .
- D. 347,466 * 5/1994 Kolada et al. D23/241
- D. 348,510 7/1994 Gottwald .
- D. 352,769 11/1994 Formgren .
- D. 353,184 12/1994 Formgren .
- D. 354,549 1/1995 Jans .
- D. 355,956 2/1995 Jans .
- D. 361,827 * 8/1995 Doughty et al. D23/241
- D. 362,899 10/1995 Jans .
- D. 368,301 3/1996 Lobermeier .
- D. 368,766 4/1996 Lobermeier .
- D. 370,714 6/1996 Lobermeier .
- D. 371,827 7/1996 Jans .
- D. 372,518 8/1996 Gottwald .
- D. 373,180 8/1996 Gottwald .
- D. 373,406 9/1996 Gottwald et al. .

- D. 377,678 1/1997 Gottwald .
- D. 379,215 5/1997 Gottwald .
- D. 380,251 6/1997 Spurgeon et al. .
- D. 381,395 7/1997 Fleischmann .
- D. 384,397 * 9/1997 Doughty et al. D23/241
- D. 385,337 10/1997 Spurgeon et al. .
- D. 387,136 12/1997 Oswaks et al. .
- D. 388,865 1/1998 Fleischmann .
- D. 390,638 * 2/1998 Ko D23/241
- D. 397,205 8/1998 Kergoet .
- D. 397,424 8/1998 Ficken, Jr. et al. .
- D. 400,645 11/1998 Kergoet .
- D. 400,646 * 11/1998 Hill et al. D23/241
- D. 407,141 * 3/1999 Ko D23/238
- D. 407,465 3/1999 Ko .
- D. 409,289 5/1999 Hyde et al. .
- D. 410,066 5/1999 Kergoet .
- D. 410,277 5/1999 Lobermeier .
- D. 412,359 7/1999 Lobermeier .
- D. 413,375 8/1999 Meda .
- D. 413,376 8/1999 Meda .
- D. 413,655 9/1999 Gottwald .
- D. 434,121 * 11/2000 Donath, Jr. et al. D23/252

* cited by examiner

Primary Examiner—Louis S. Zarfaz
Assistant Examiner—Gregory Andoll
(74) *Attorney, Agent, or Firm*—Cook, Alex, McFarron, Manzo, Cummings & Mehler, Ltd.

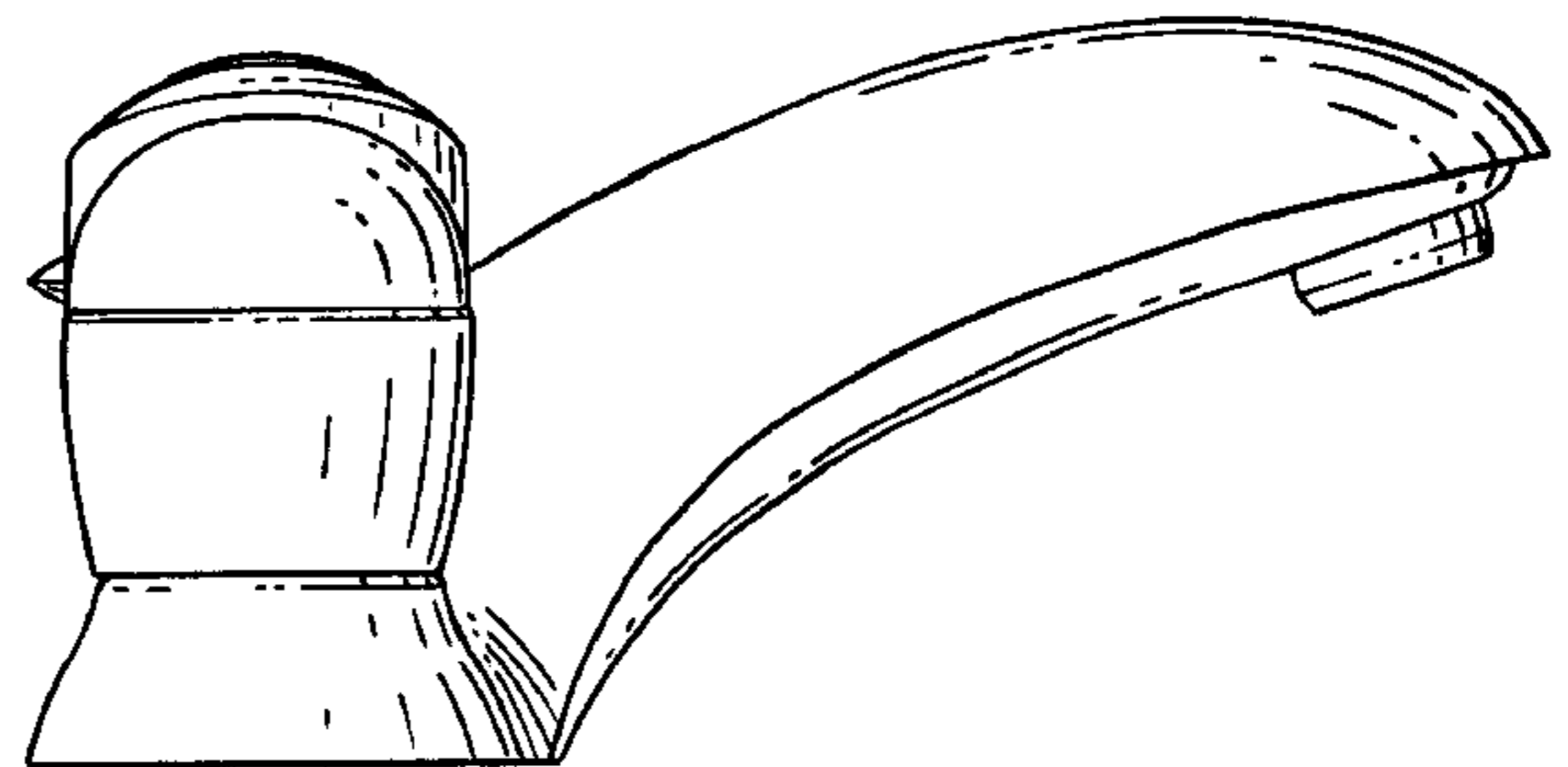
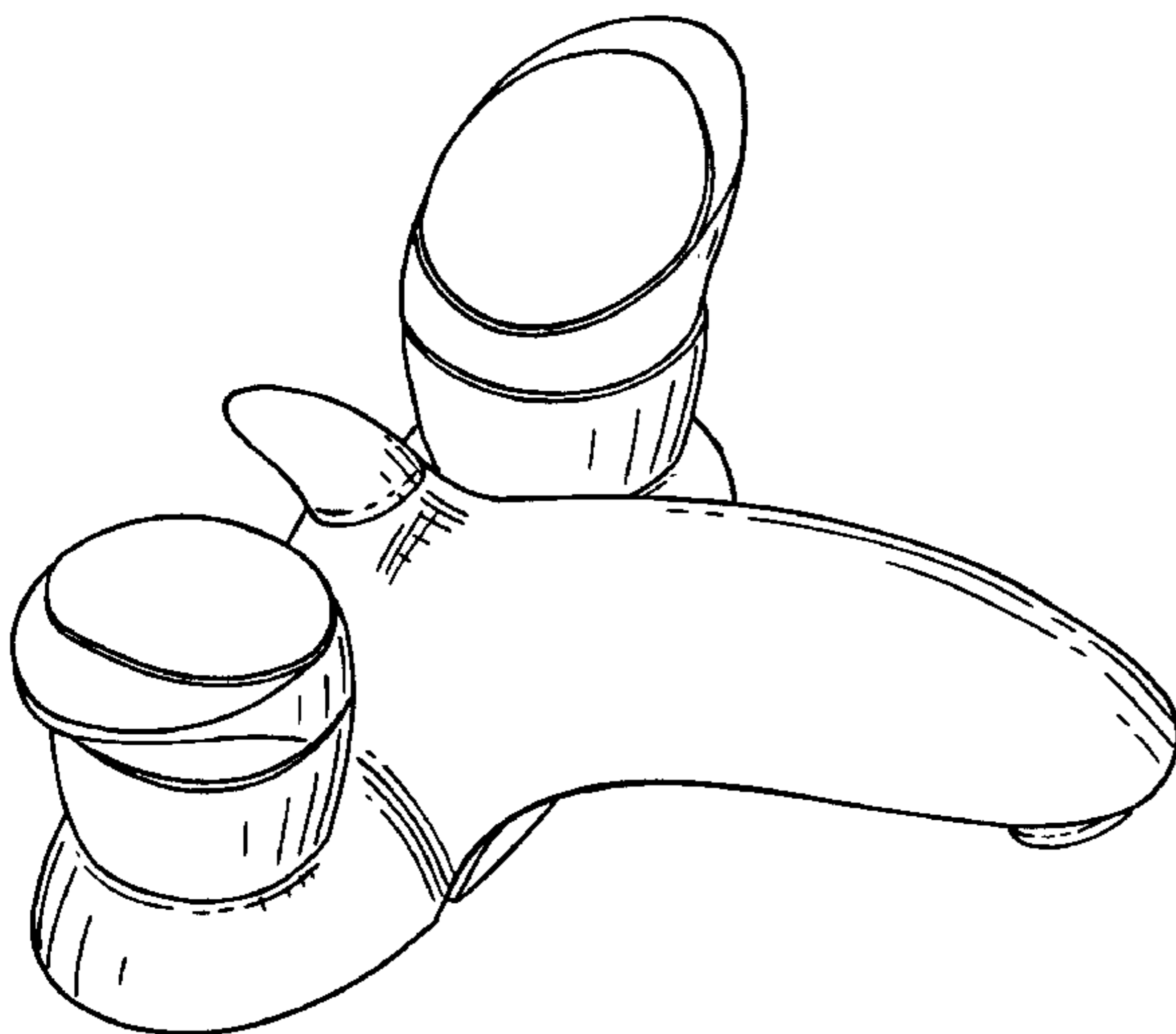
(57) **CLAIM**

The ornamental design for a faucet body, as shown and described.

DESCRIPTION

FIG. 1 is a top perspective view as viewed from the left side showing our new design for a faucet body;
FIG. 2 is a front elevational view thereof;
FIG. 3 is a top plan view thereof;
FIG. 4 is a left side elevational view thereof, the right side being a mirror image of the left side;
FIG. 5 is a rear elevational view thereof; and,
FIG. 6 is a bottom plan view thereof.
The broken line showing of the apertures in FIG. 6 is for illustrative purposes only and forms no part of the claimed design.

1 Claim, 2 Drawing Sheets



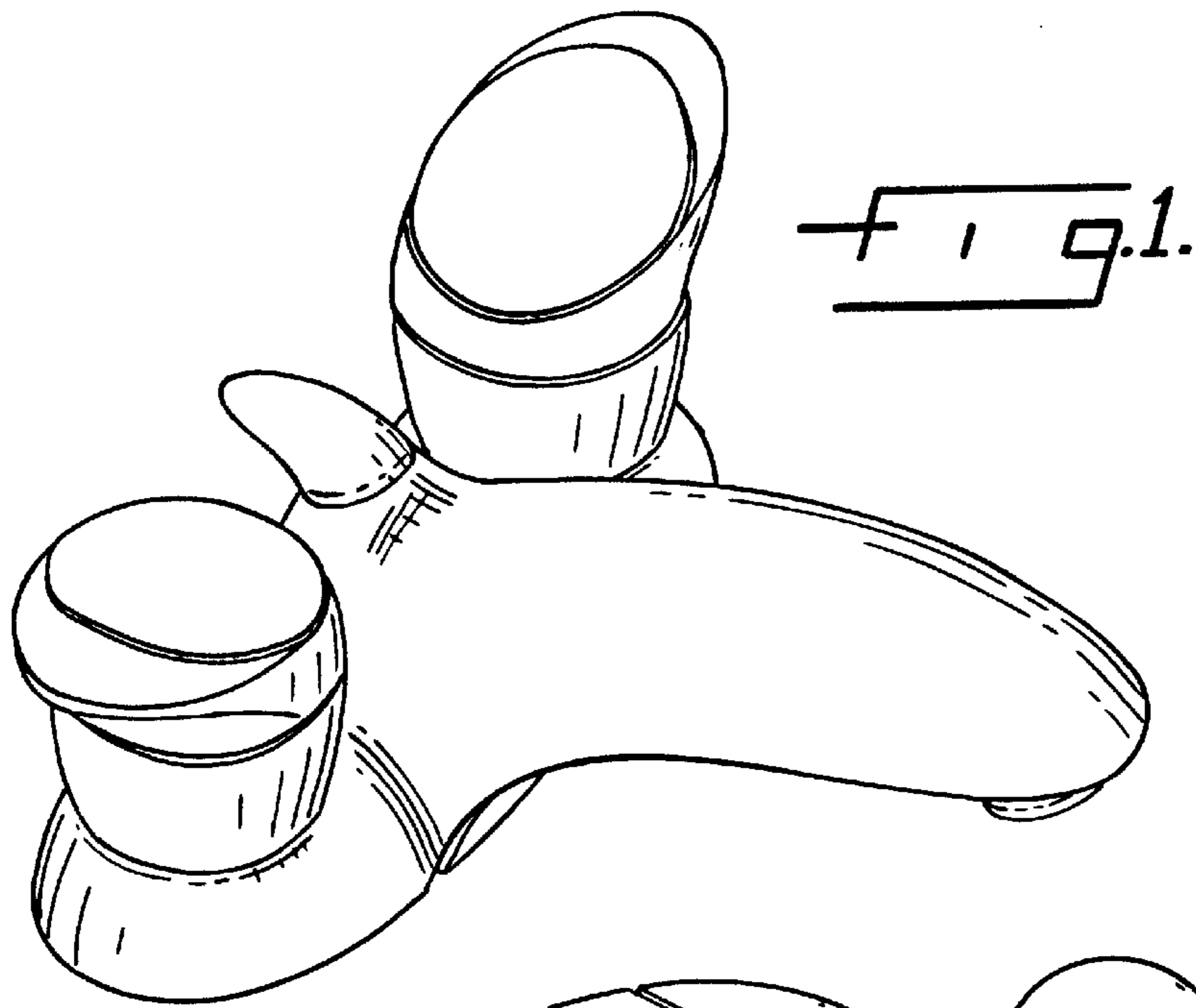


FIG. 1.

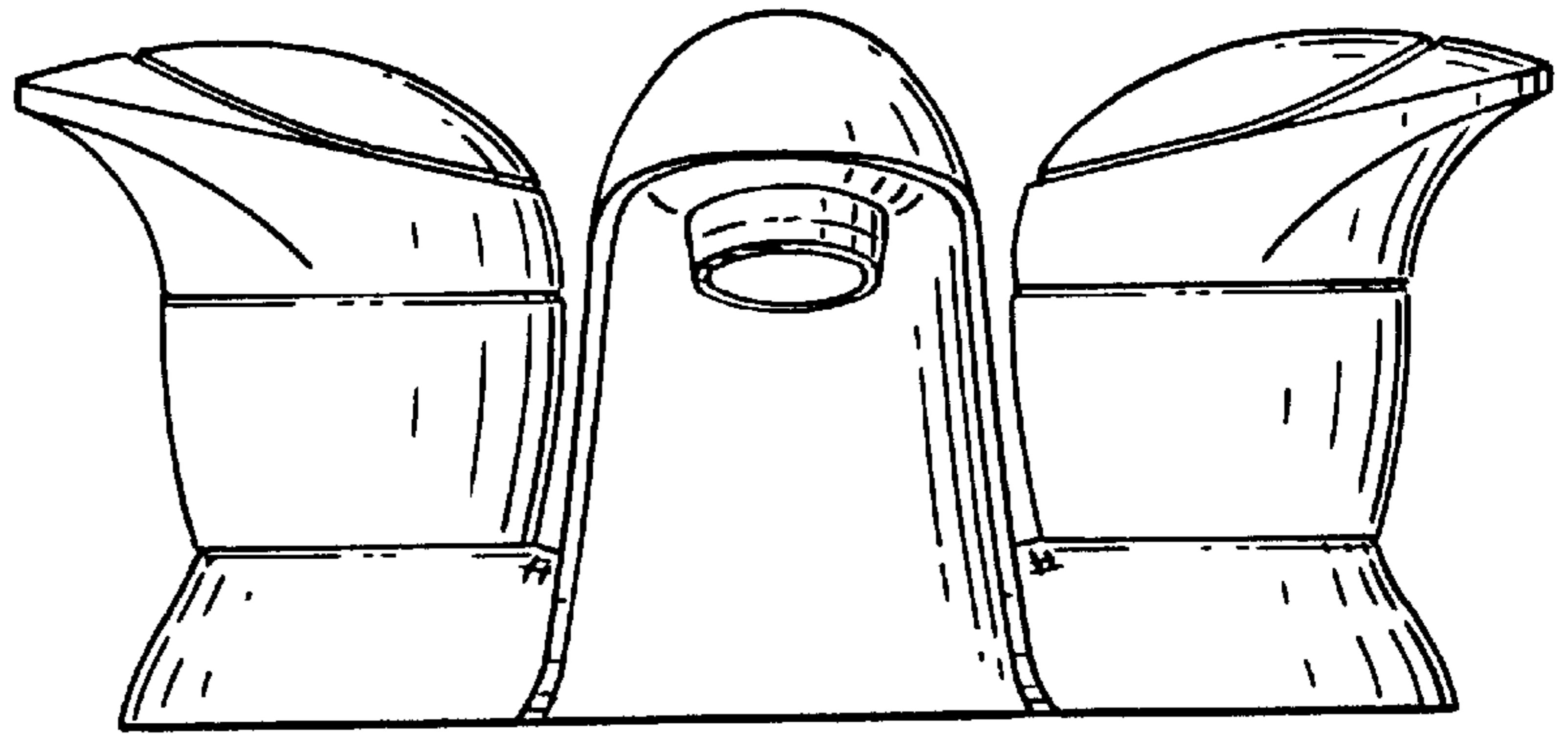


FIG. 2.

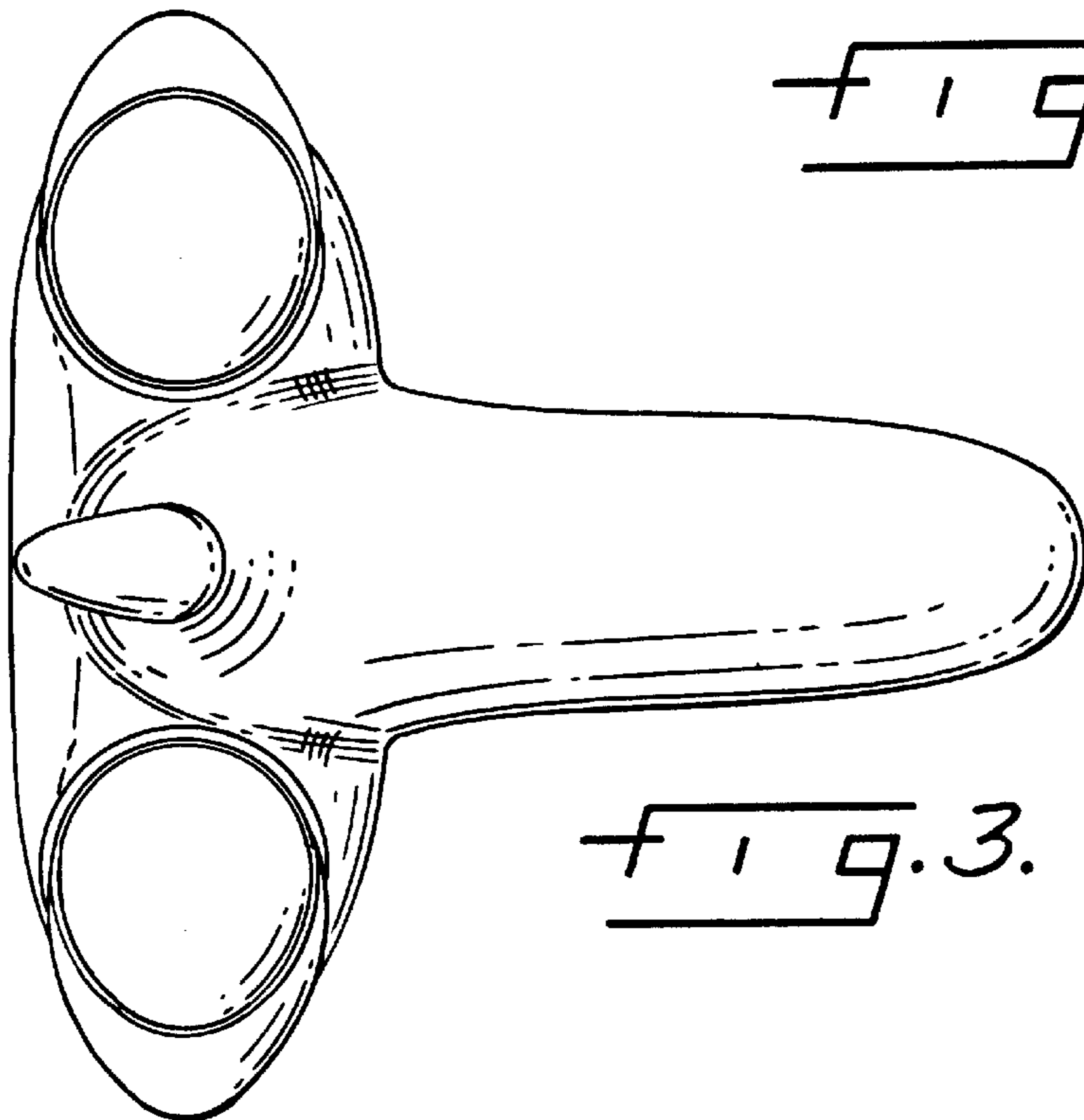


FIG. 3.

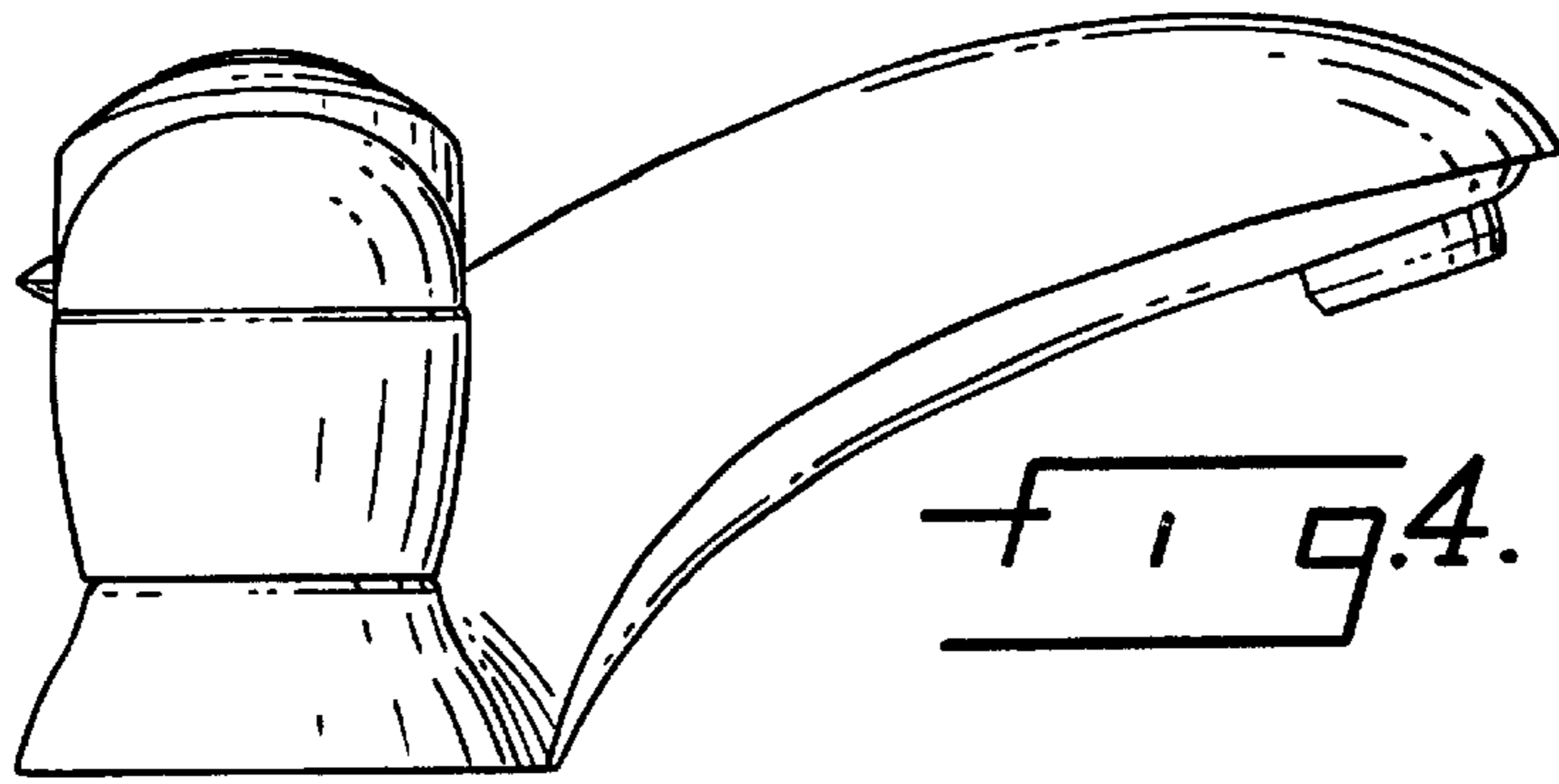


FIG. 4.

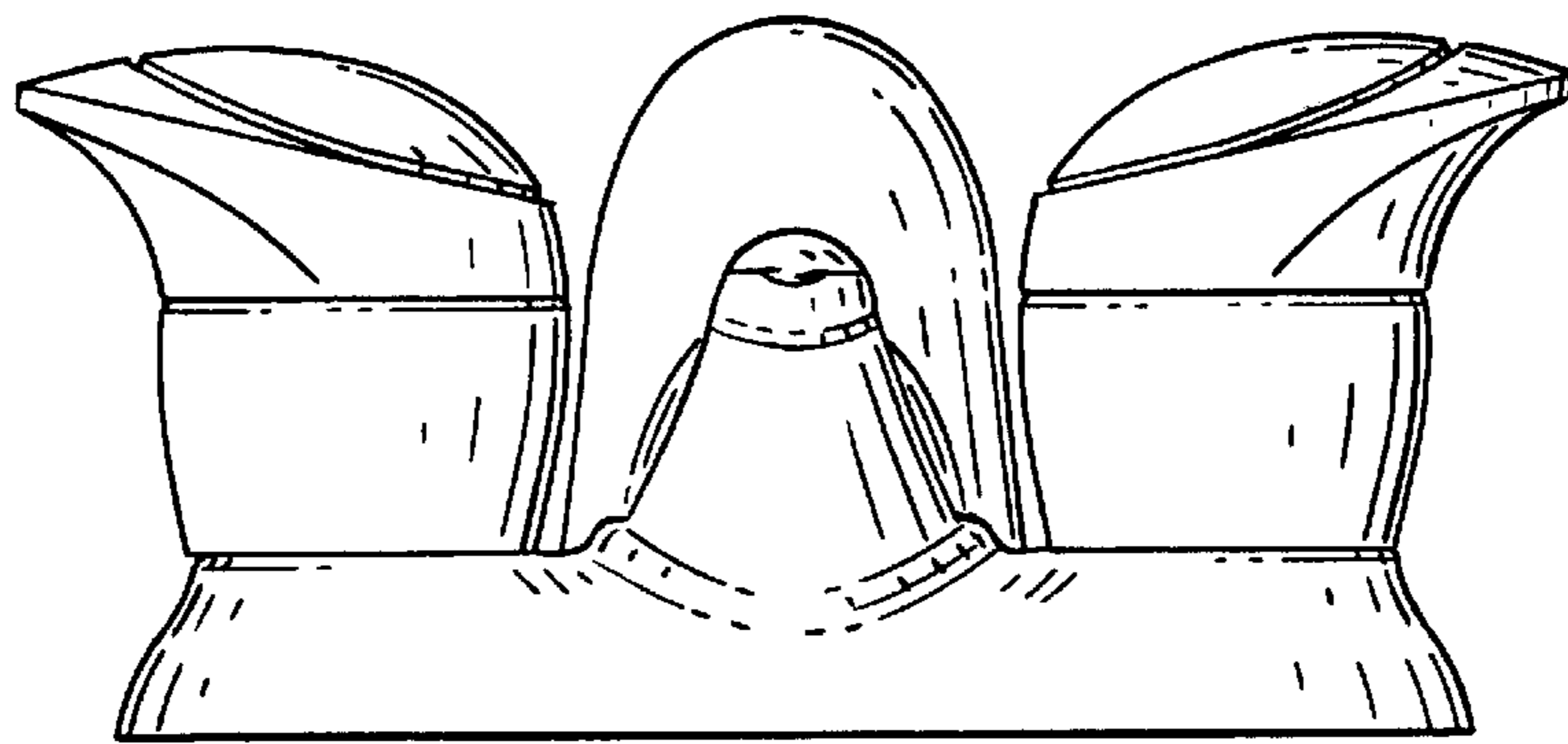


FIG. 5.

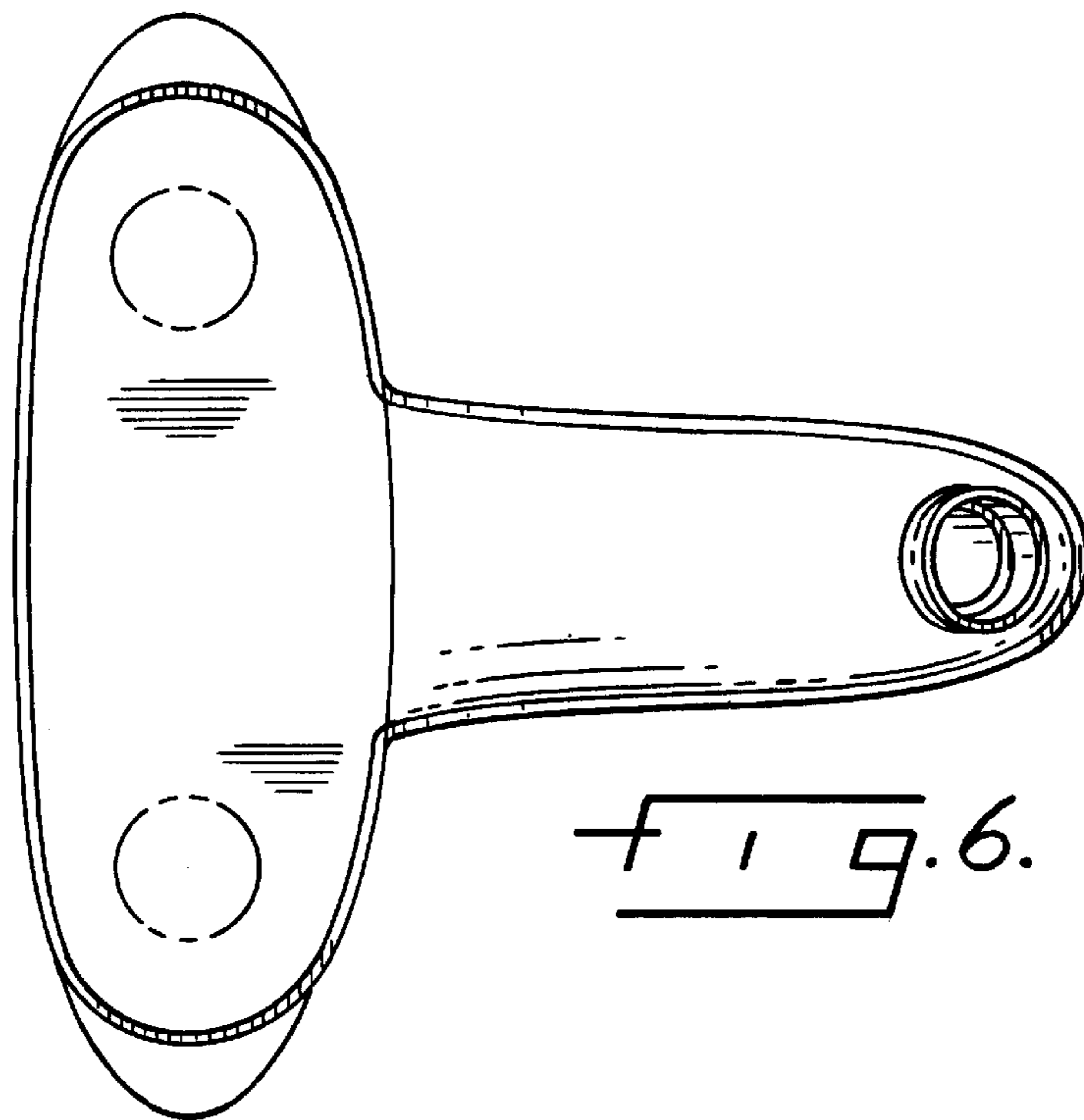


FIG. 6.