



US00D445482S

(12) **United States Design Patent**
Lord

(10) **Patent No.:** **US D445,482 S**

(45) **Date of Patent:** **** Jul. 24, 2001**

(54) **FAUCET**

(75) **Inventor:** **Judd A. Lord**, Carmel, IN (US)

(73) **Assignee:** **Masco Corporation of Indiana**,
Indianapolis, IN (US)

(*) **Notice:** This patent is subject to a terminal disclaimer.

(**) **Term:** **14 Years**

(21) **Appl. No.:** **29/117,529**

(22) **Filed:** **Jan. 27, 2000**

(51) **LOC (7) Cl.** **23-07**

(52) **U.S. Cl.** **D23/241**

(58) **Field of Search** D23/238-257;
D8/301-308, 310; 4/675-678; 137/801

(56) **References Cited**

U.S. PATENT DOCUMENTS

- D. 60,347 * 2/1922 Kersten D23/241
- D. 207,044 * 2/1967 Hurwitz D23/241
- D. 276,259 11/1984 Miller .
- D. 288,835 3/1987 Yost .
- D. 293,362 12/1987 Hill et al. .
- D. 295,551 5/1988 Yost .
- D. 318,906 8/1991 Spangler .
- D. 320,645 10/1991 Knapp et al. .
- D. 321,750 11/1991 Spangler .
- D. 355,578 * 2/1995 Mark et al. D8/308
- D. 357,525 * 4/1995 Fabian D23/252
- D. 363,536 10/1995 Hill et al. .
- D. 363,766 10/1995 Hill et al. .
- D. 363,974 * 11/1995 Doughty et al. D23/241
- D. 364,218 11/1995 Hill et al. .
- D. 364,219 11/1995 Hill et al. .
- D. 364,220 11/1995 Hill et al. .

- D. 365,384 * 12/1995 Robbins D23/252
- D. 366,099 1/1996 Hill et al. .
- D. 367,701 3/1996 Hill et al. .
- D. 367,920 3/1996 Hill et al. .
- D. 374,709 * 10/1996 Doughty et al. D23/249
- D. 392,720 * 3/1998 Doughty et al. D23/250
- D. 418,578 * 1/2000 Warshawsky et al. D23/241

OTHER PUBLICATIONS

Kohler K-500 Design Manual, p. 40 Taboret Faucet, Oct. 1990.*

Delta 1994 Full-Line Price List, (c) 1994 Masco Corporation of Indiana, pp. 14, 21-22, 26-27, 44-45.

* cited by examiner

Primary Examiner—Louis S. Zarfes

Assistant Examiner—Gregory Andoll

(74) *Attorney, Agent, or Firm*—Myron B. Kapustij; Lloyd D. Doigan

(57) **CLAIM**

The ornamental design for a faucet, as shown and described.

DESCRIPTION

FIG. 1 is a rear perspective view of the faucet showing my new design;

FIG. 2 is a front perspective view thereof;

FIG. 3 is a right side elevational view thereof, the left side being a mirror image;

FIG. 4 is a rear elevational view thereof;

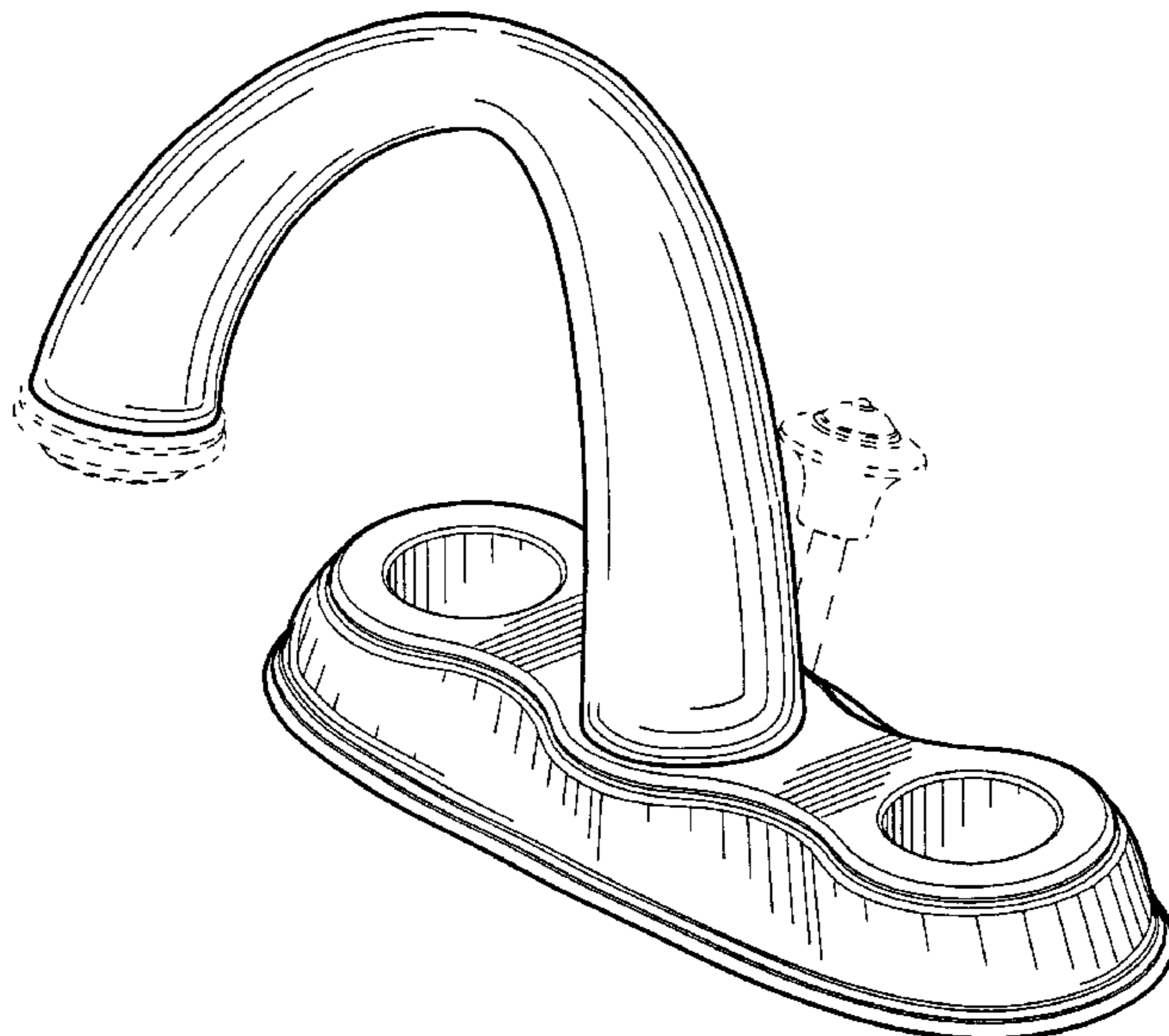
FIG. 5 is a top plan view thereof;

FIG. 6 is a front elevational view thereof; and,

FIG. 7 is a bottom plan view thereof.

The broken line showing of the lift rod and aerator in FIG. 2 and the apertures in FIG. 7 are for purposes of illustration only and form no part of the claimed design.

1 Claim, 4 Drawing Sheets



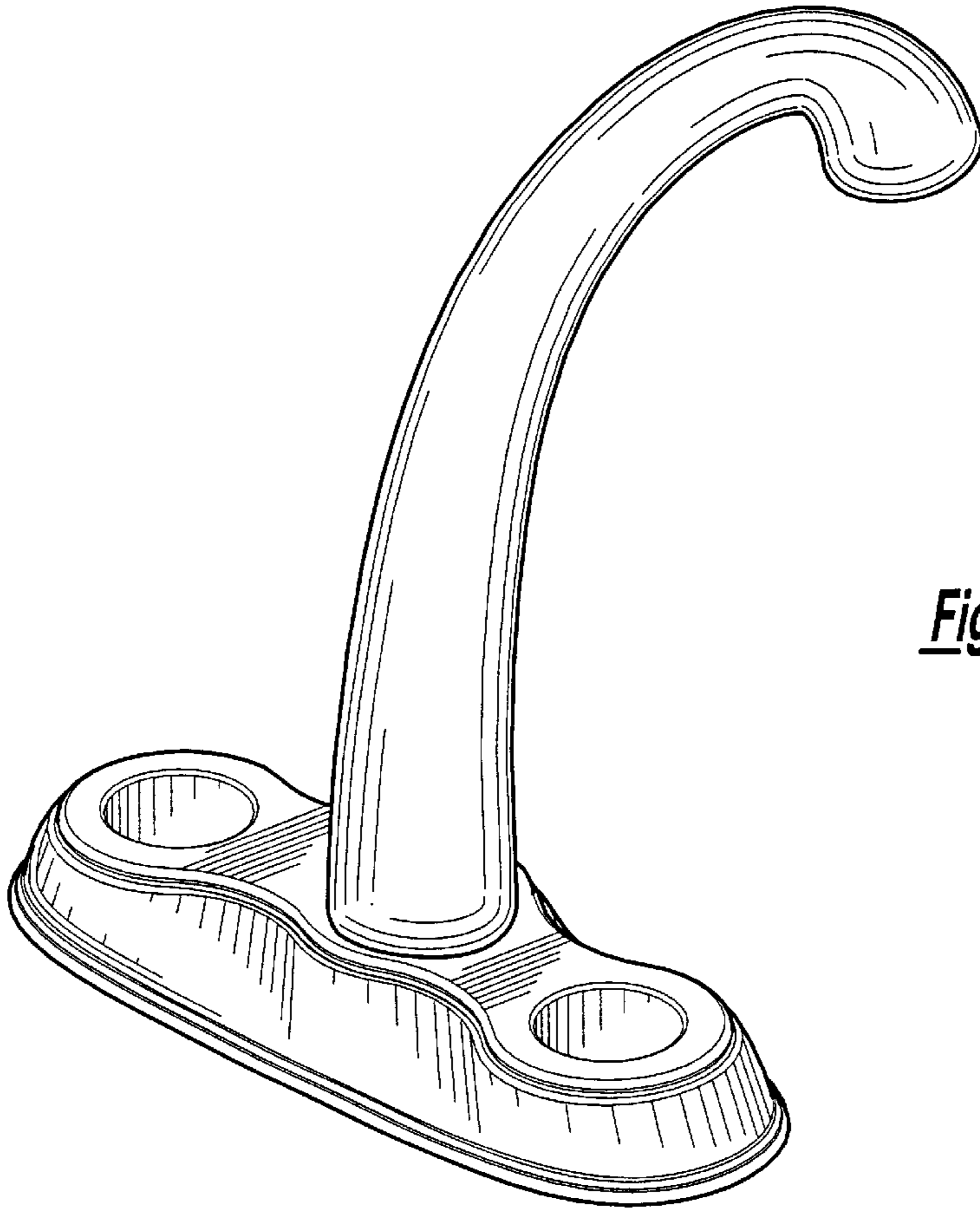


Figure - 1

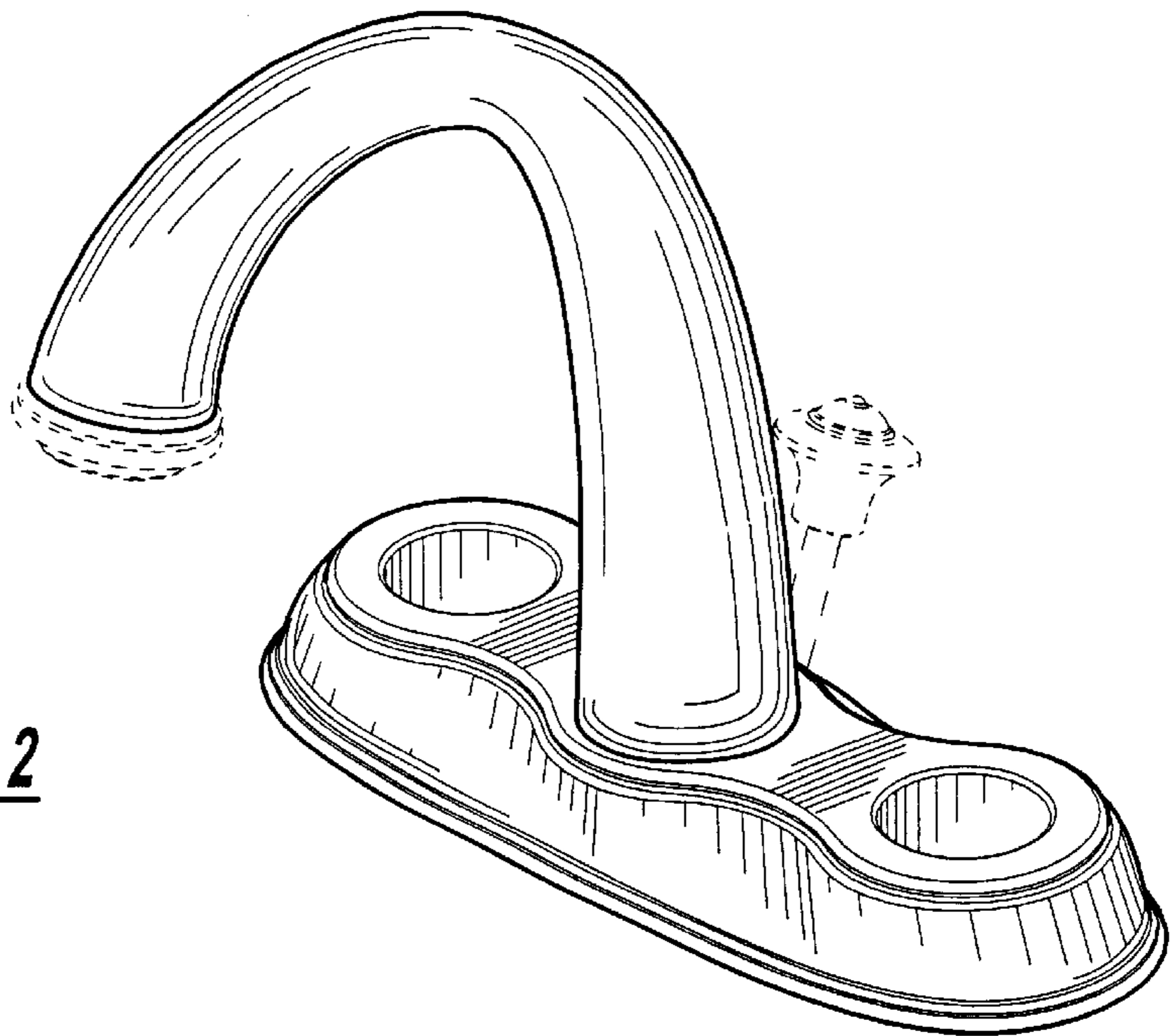


Figure - 2

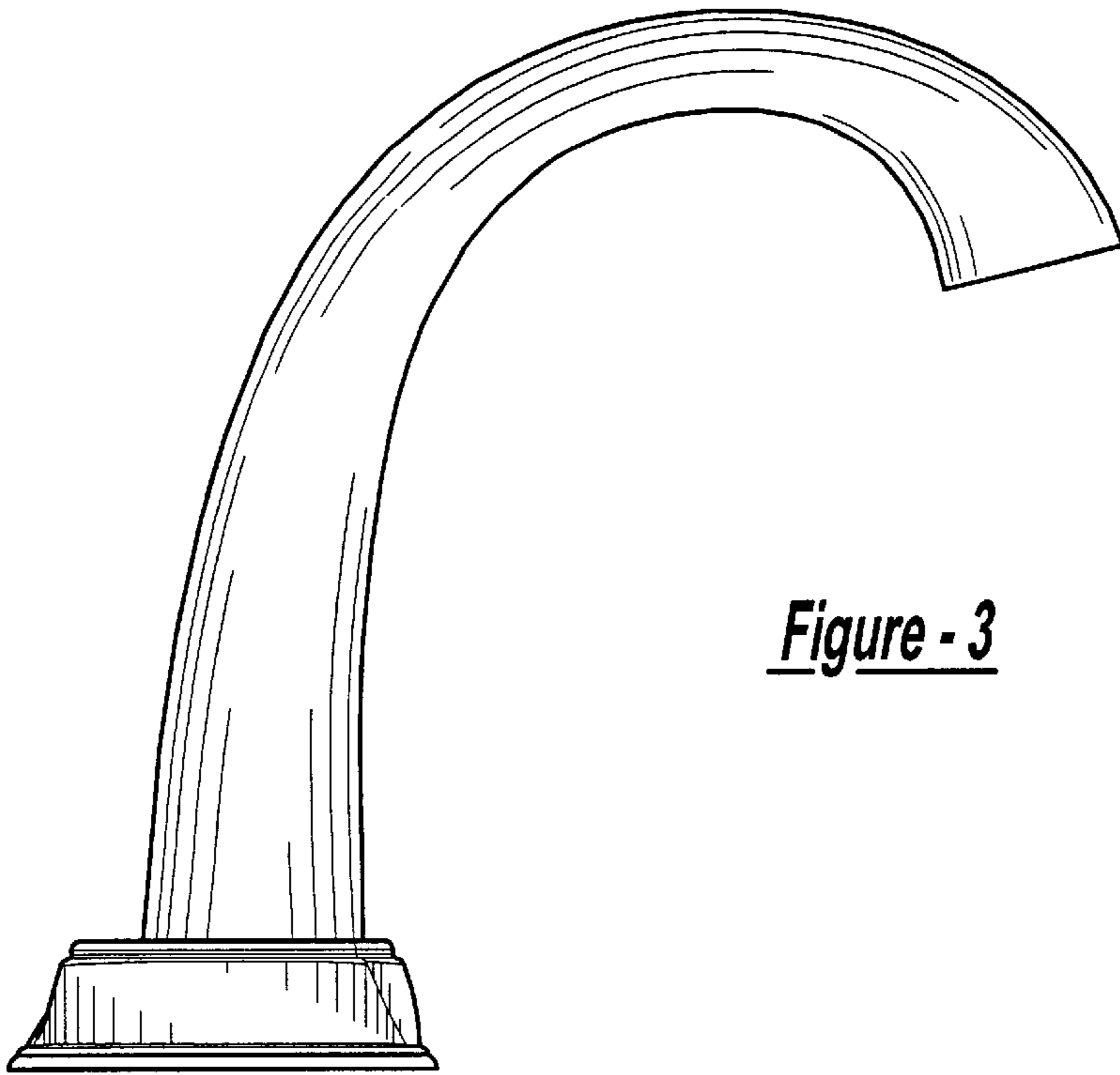


Figure - 3

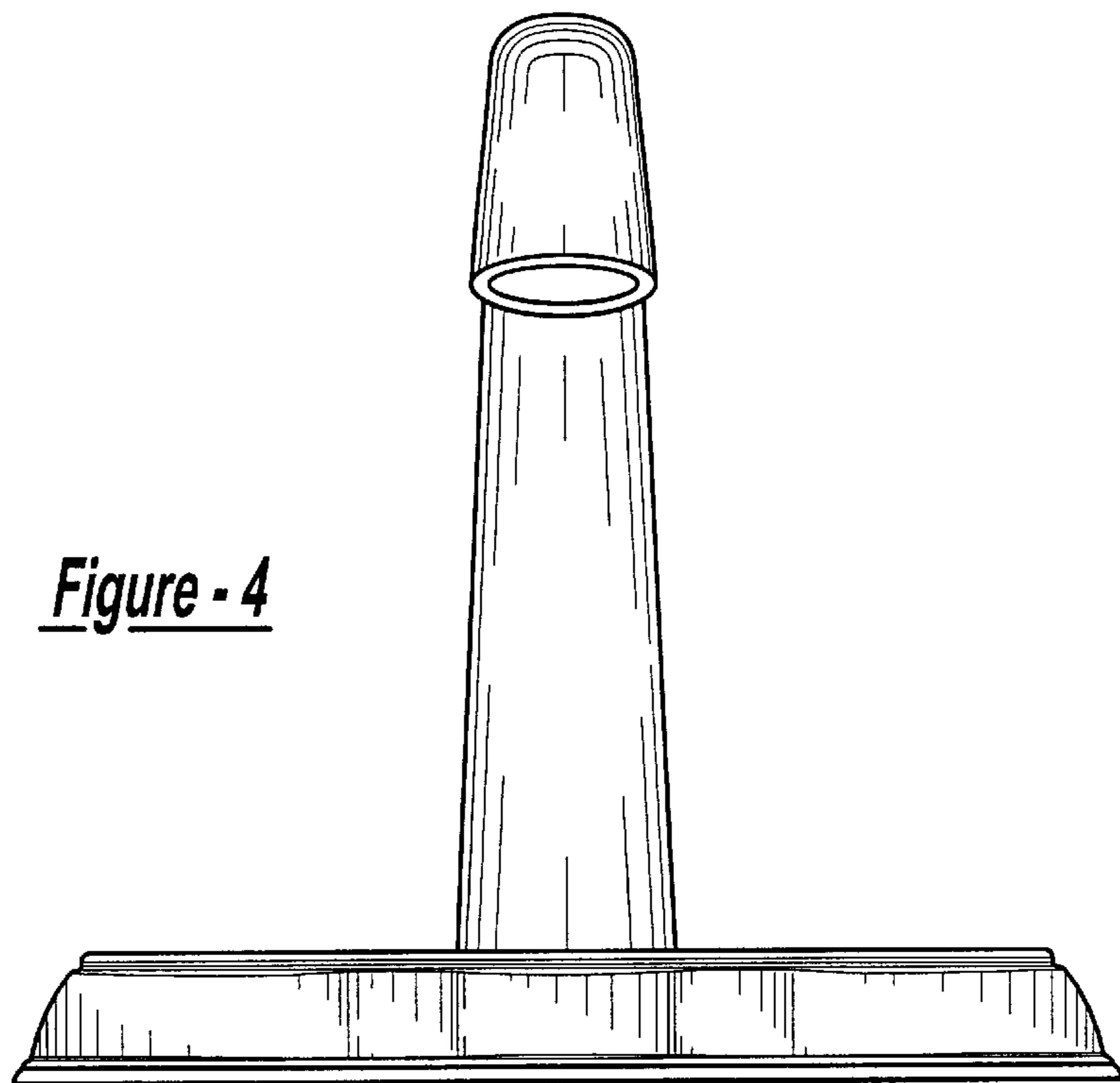


Figure - 4

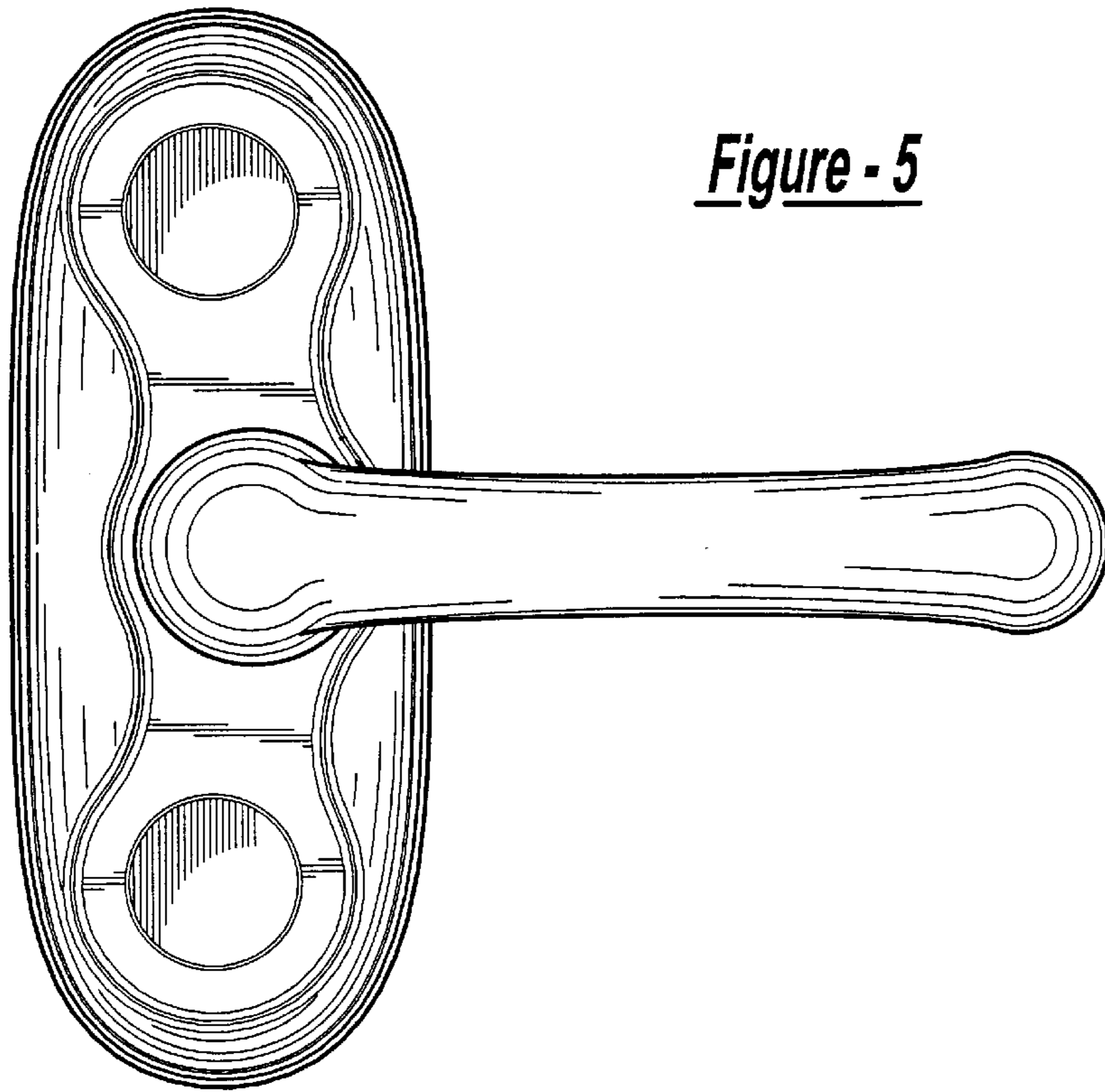


Figure - 5

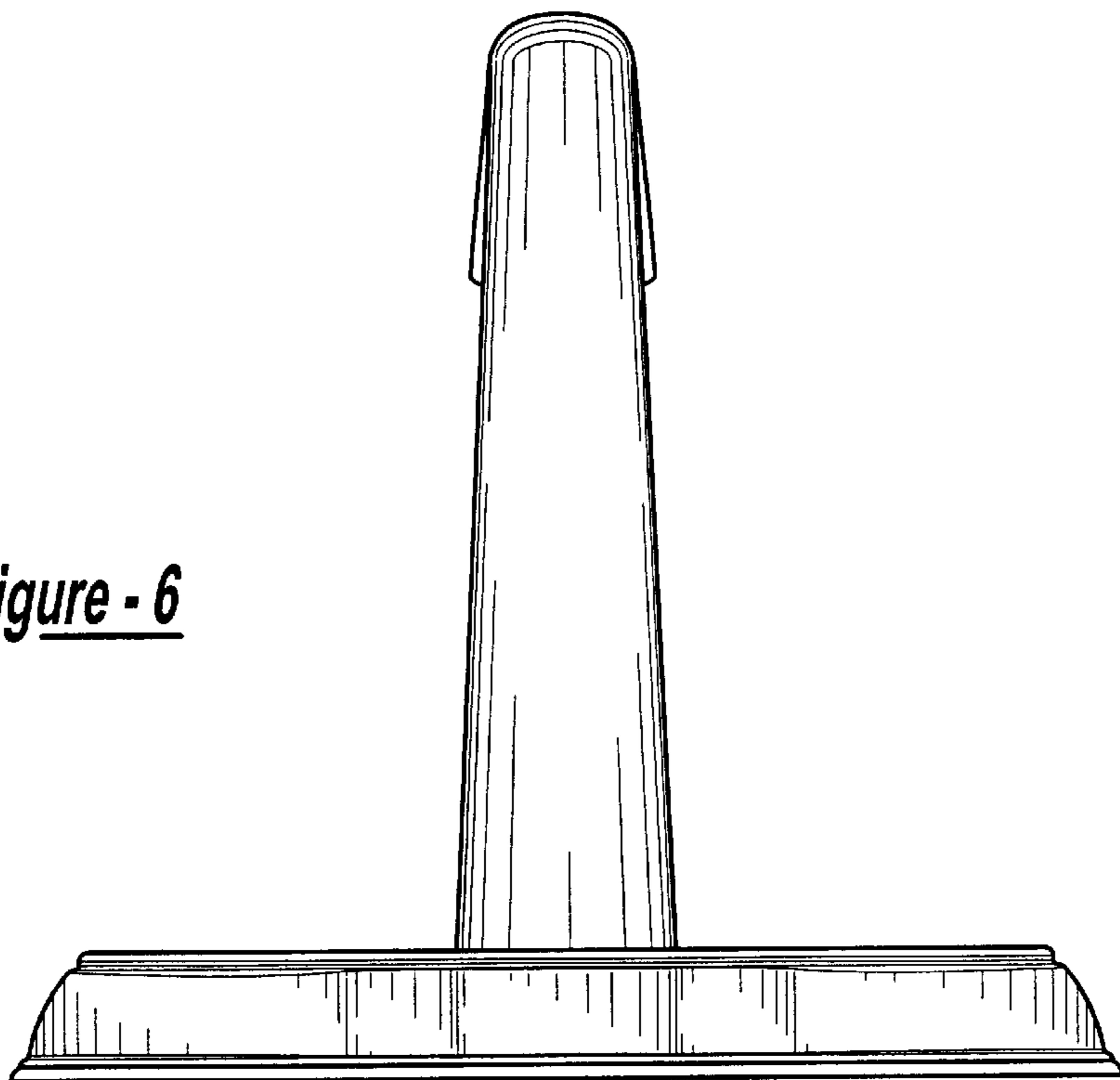


Figure - 6

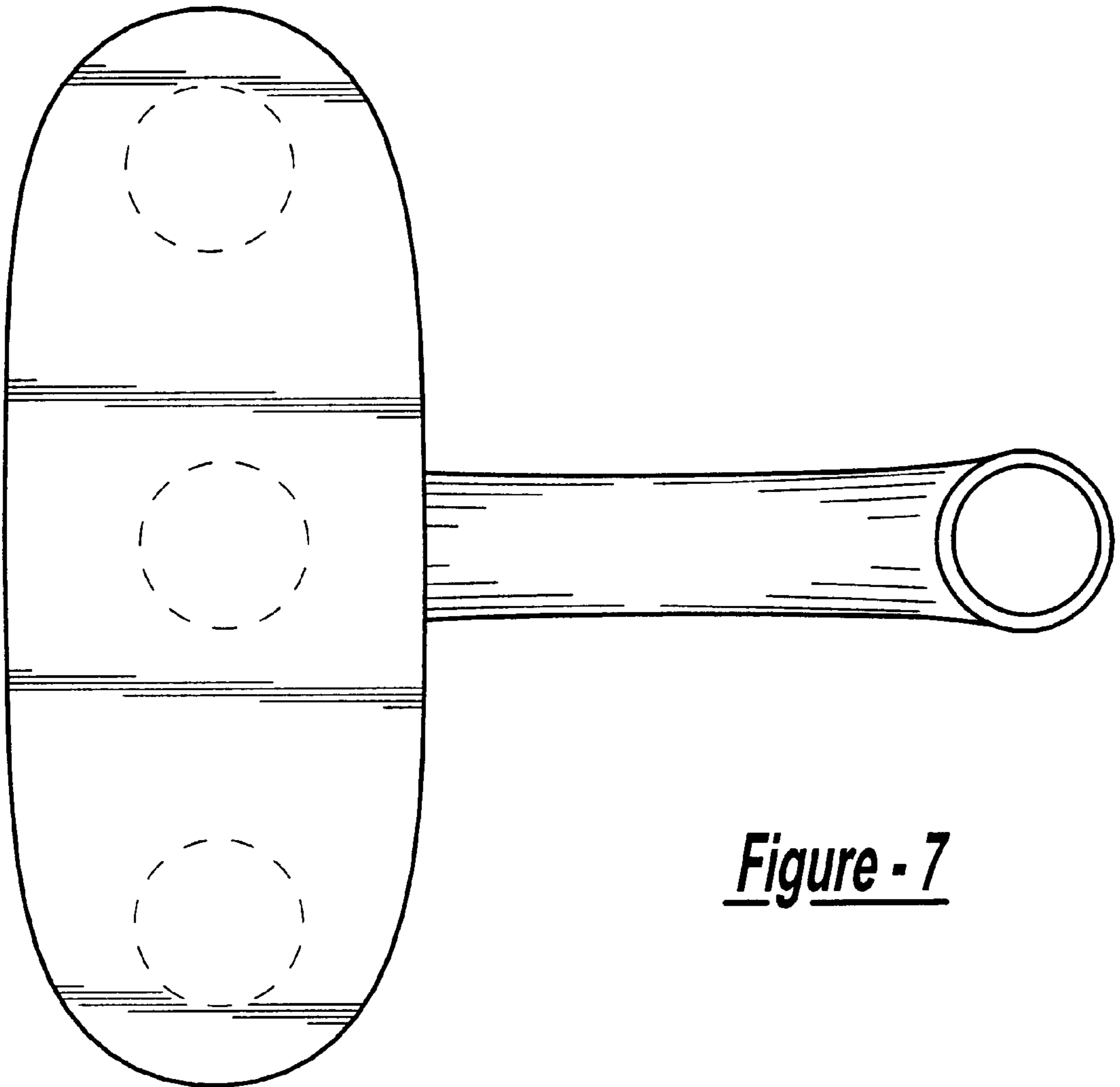


Figure - 7