



US00D445478S

(12) **United States Design Patent**
Reeves

(10) **Patent No.:** **US D445,478 S**

(45) **Date of Patent:** **** Jul. 24, 2001**

(54) **DUAL SHOWER HEAD ADAPTER**

4,975,993 12/1990 Black et al. .
5,775,597 * 7/1998 Kleinberger 239/550

(76) Inventor: **Richard Reeves**, 3535 Hogan Cir.,
Cottonwood, AZ (US) 86326

* cited by examiner

(**) Term: **14 Years**

Primary Examiner—Robin V. Taylor
(74) *Attorney, Agent, or Firm*—Snell & Wilmer, L.L.P.

(21) Appl. No.: **29/129,444**

(57) **CLAIM**

(22) Filed: **Sep. 13, 2000**

The ornamental design for a dual shower head adapter, as shown and described.

(51) **LOC (7) Cl.** **23-01**

(52) **U.S. Cl.** **D23/213**

(58) **Field of Search** D23/213, 229,
D23/230, 228, 303; 4/605; 239/550-1,
76

DESCRIPTION

FIG. 1 is a perspective view of a dual shower head adapter showing my new design, with the water source pipe and shower heads shown in phantom forming no part of the claimed design;

FIG. 2 is a top plan view thereof;

FIG. 3 is a front elevational view thereof;

FIG. 4 is a side elevational view thereof;

FIG. 5 is a rear elevational view thereof;

FIG. 6 is an opposite side view thereof from the side view shown in FIG. 4; and,

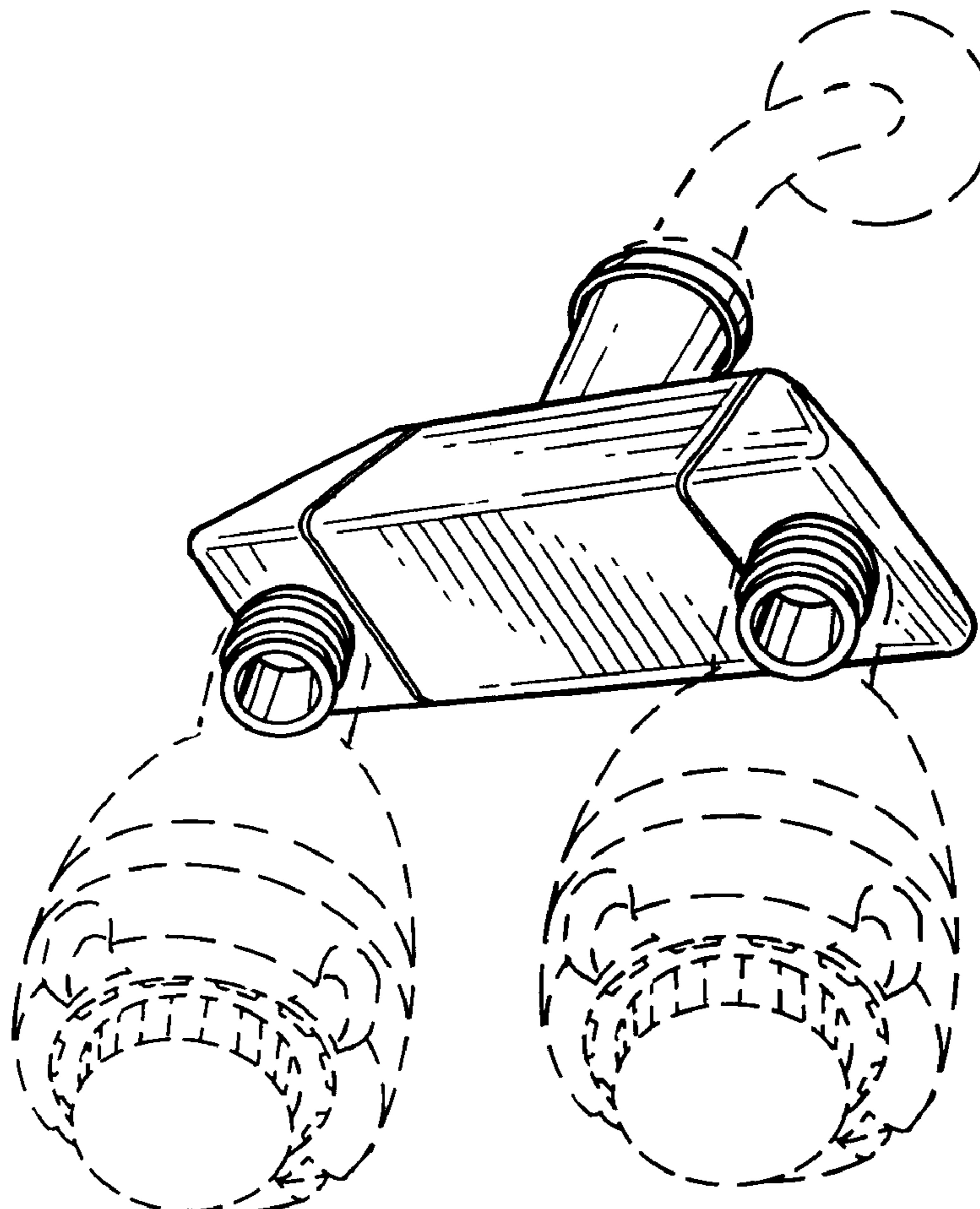
FIG. 7 is a bottom plan view thereof.

(56) **References Cited**

U.S. PATENT DOCUMENTS

| | | | |
|------------|----------|----------------|---------------|
| 120,555 | 10/1871 | Venn . | |
| D. 299,850 | 2/1989 | Feber et al. . | |
| D. 326,310 | * 5/1992 | Francoeur | D23/213 |
| D. 329,276 | 9/1992 | Blake . | |
| D. 341,874 | 11/1993 | Meilman . | |
| D. 386,567 | 11/1997 | Reeves . | |
| 4,865,254 | * 9/1989 | Kragle | 239/76 |

1 Claim, 2 Drawing Sheets



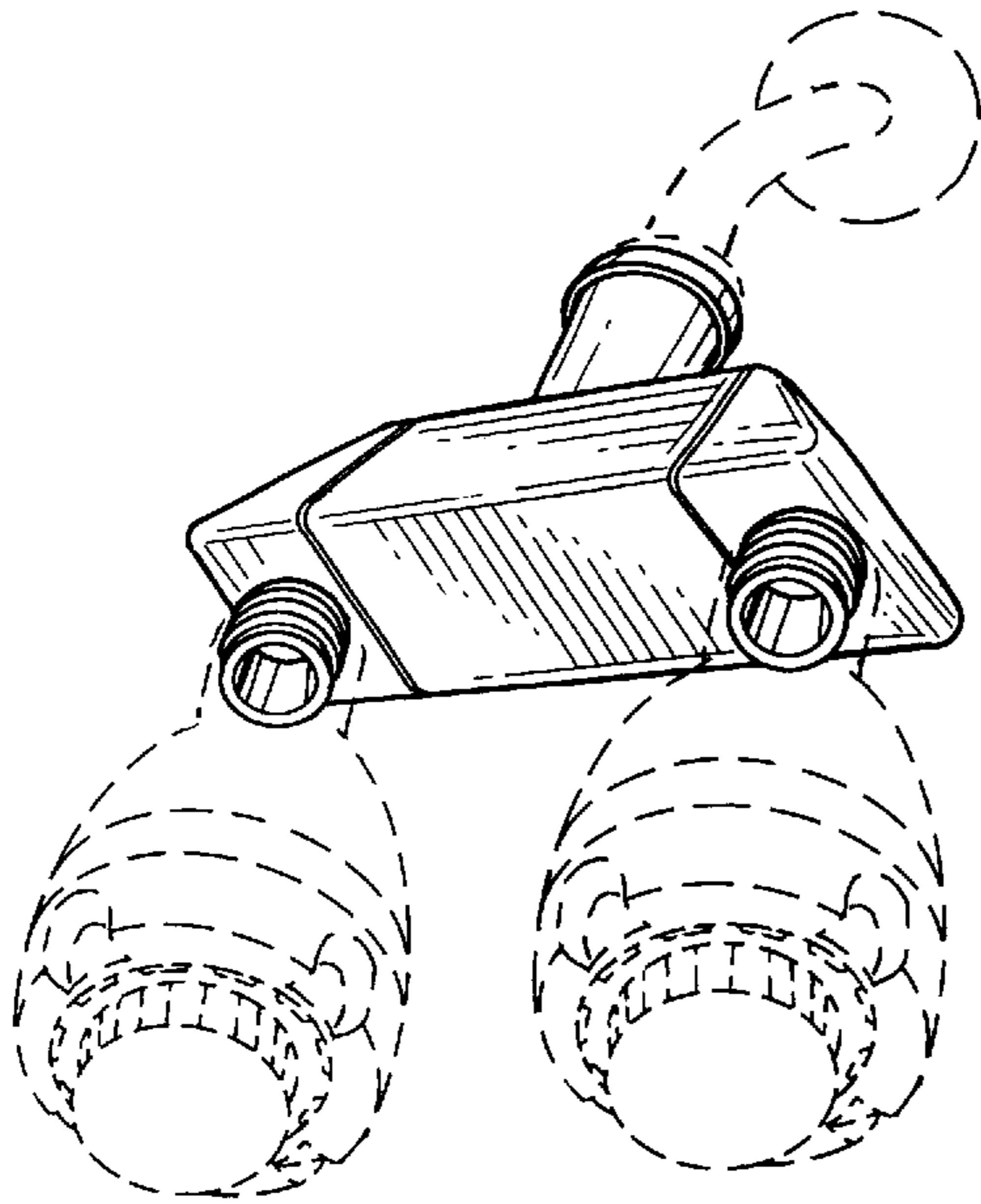


FIG. 1.

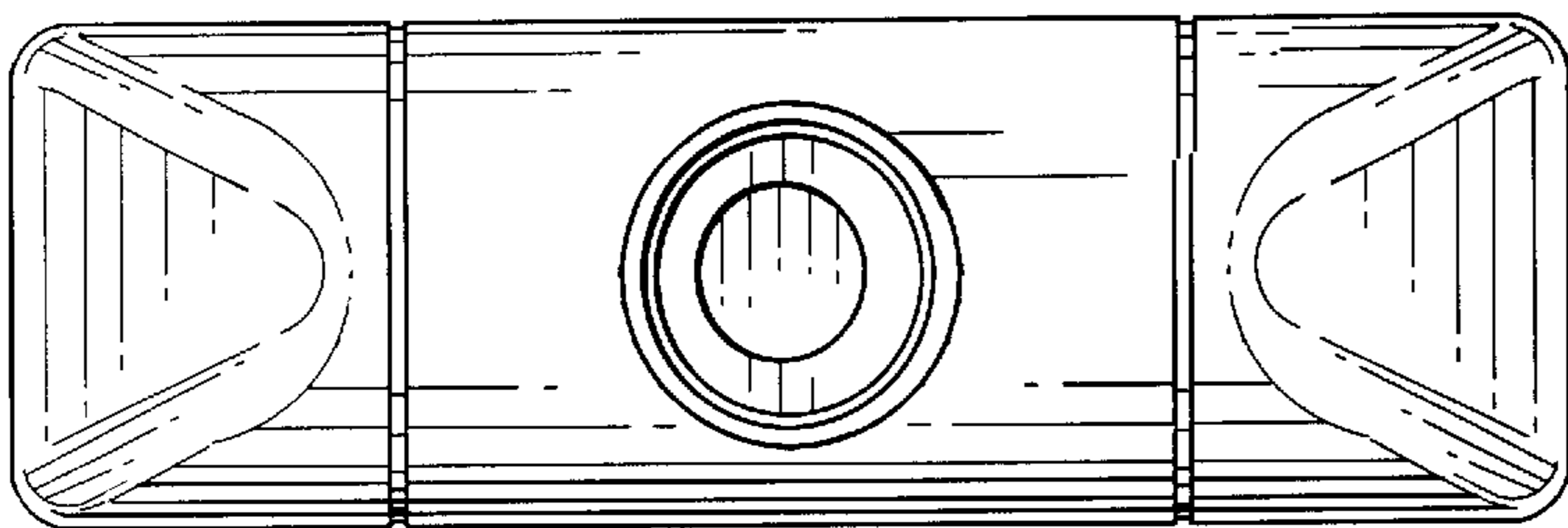


FIG. 2.

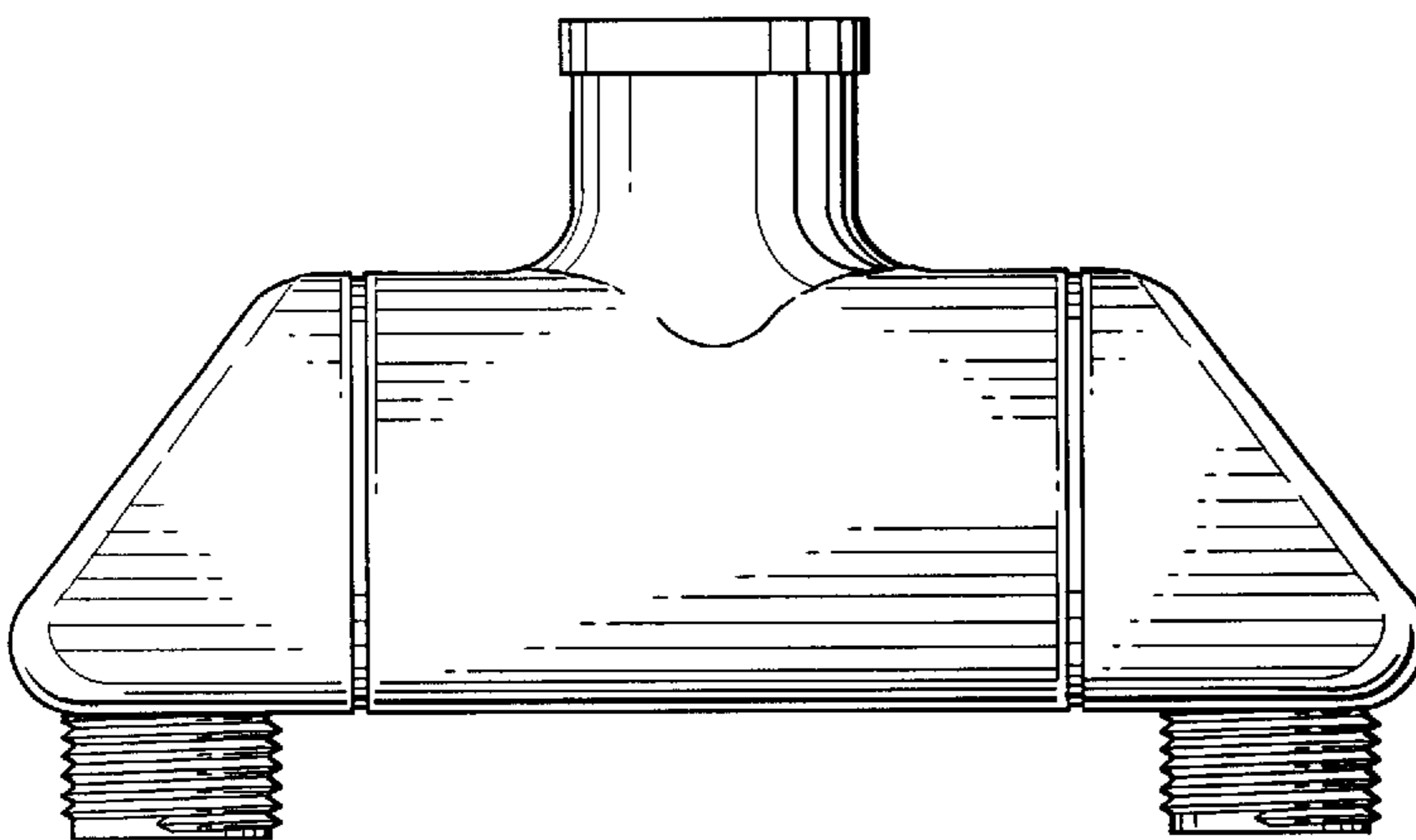


FIG. 3.

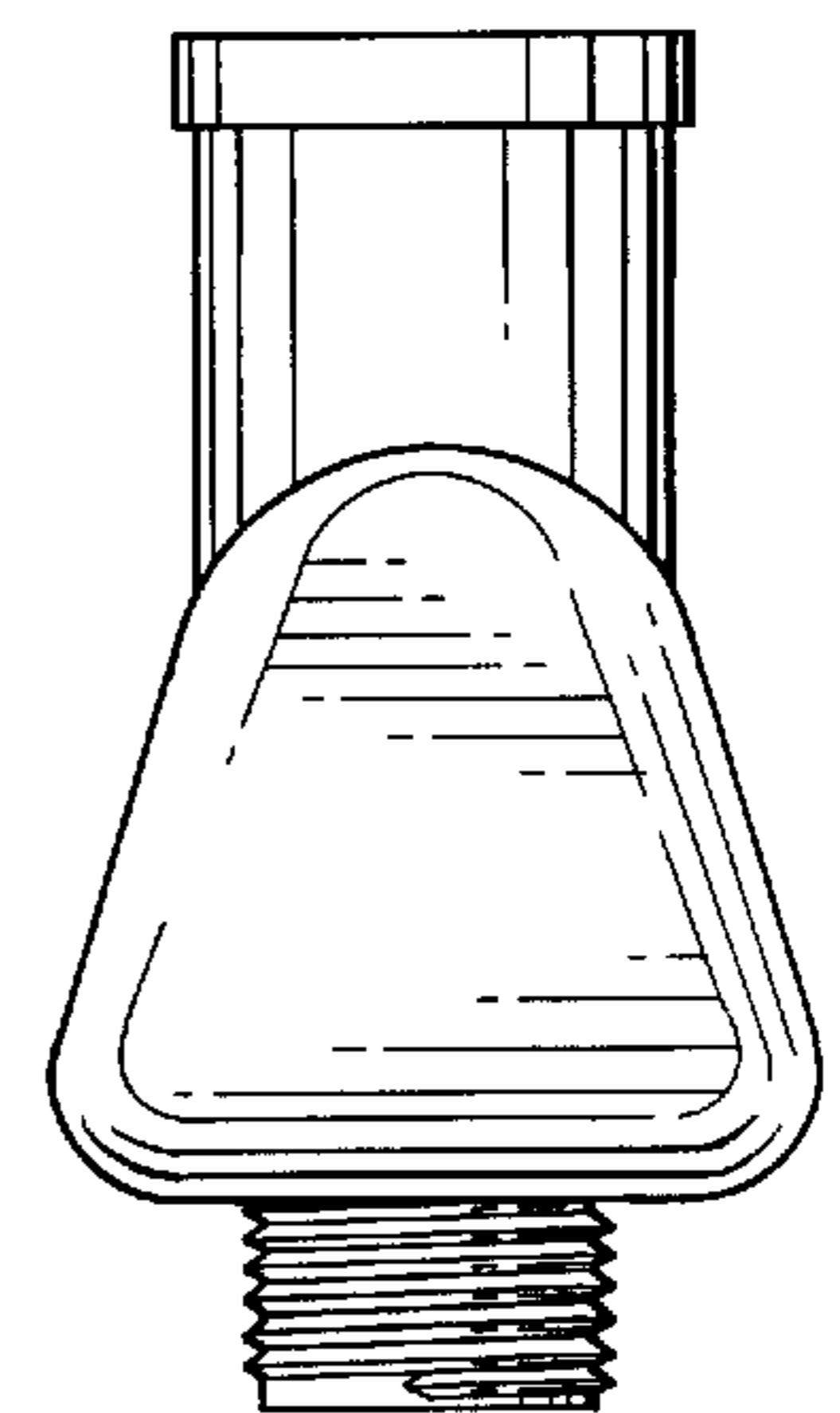


FIG. 4.

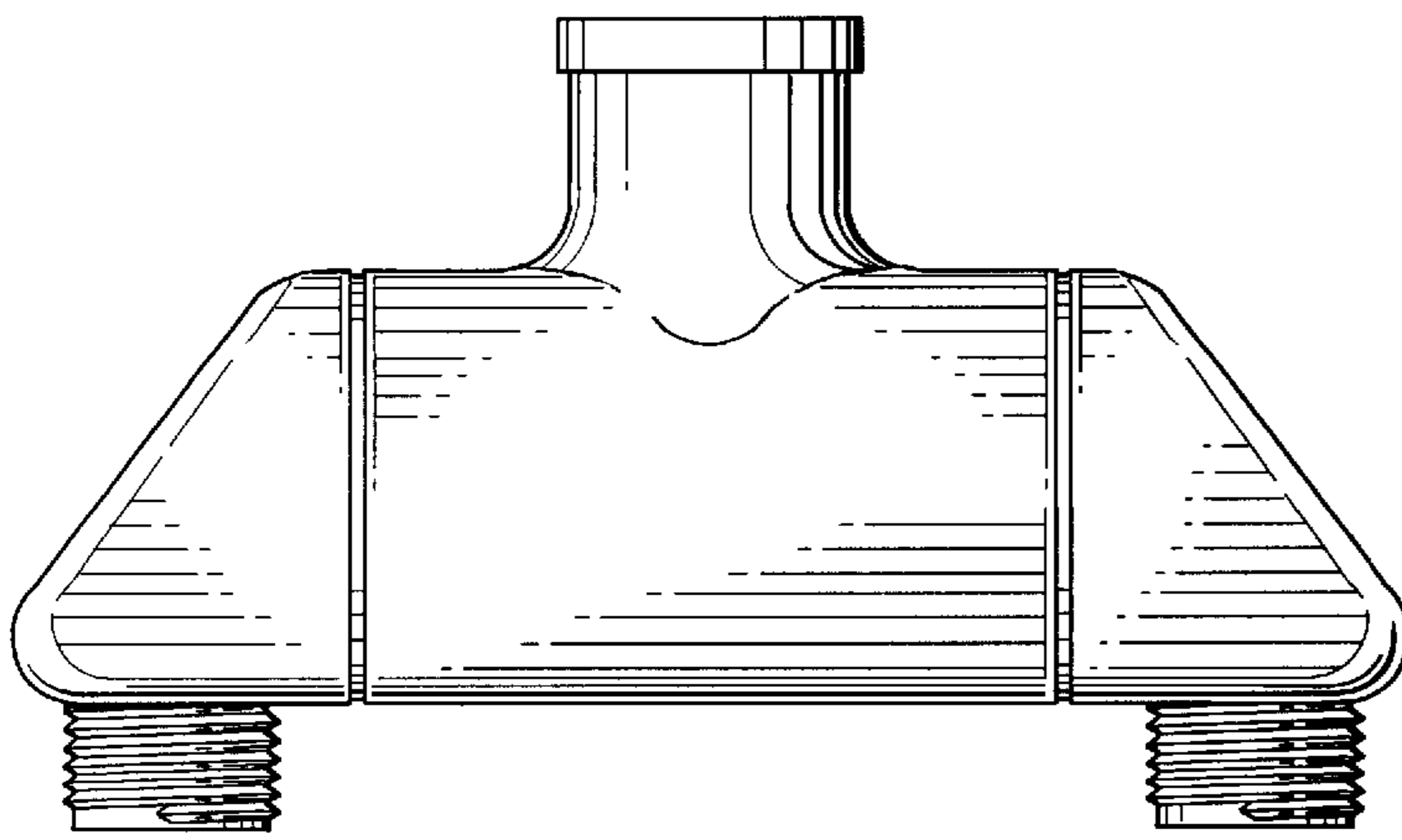


FIG. 5.

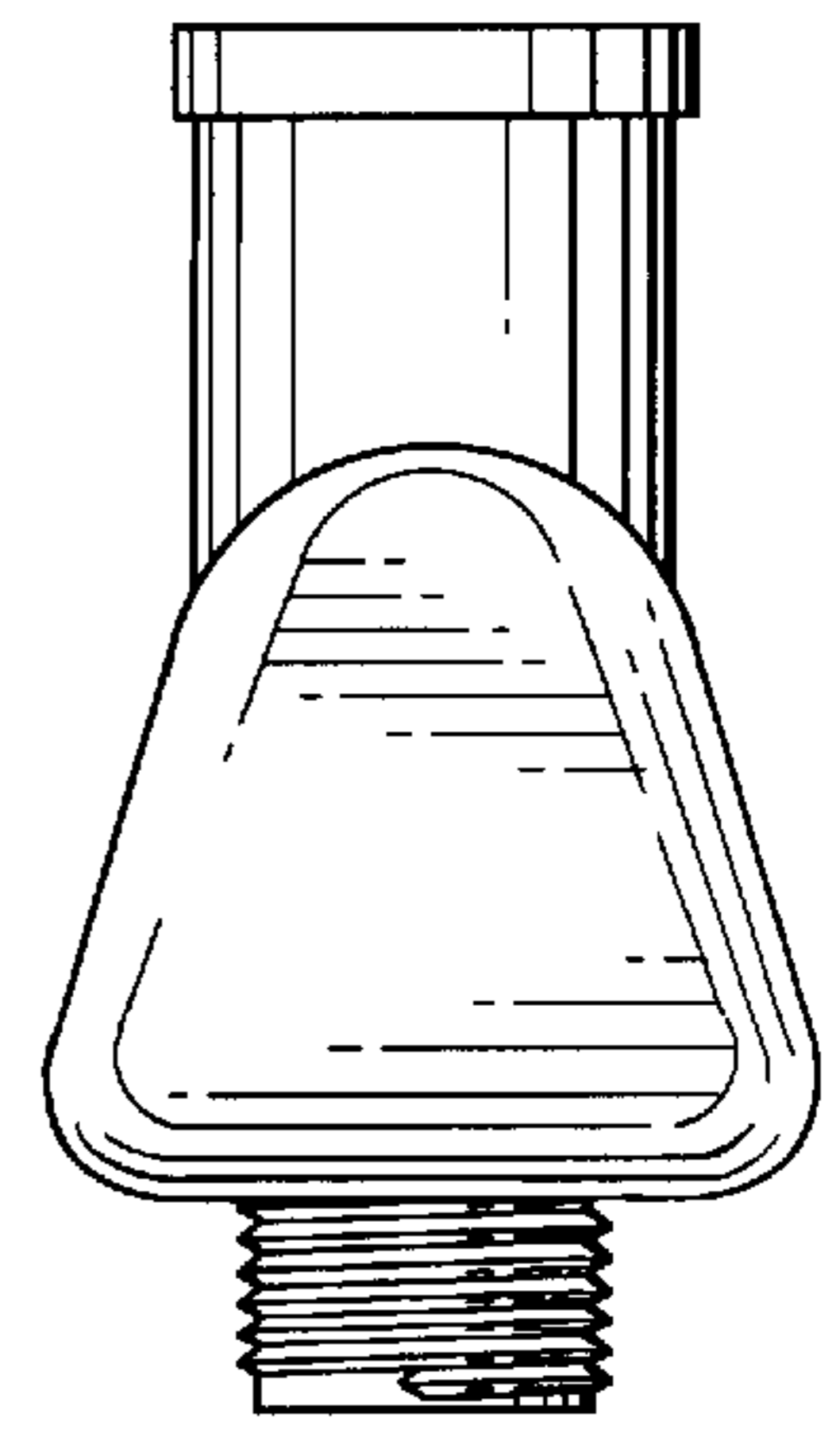


FIG. 6.

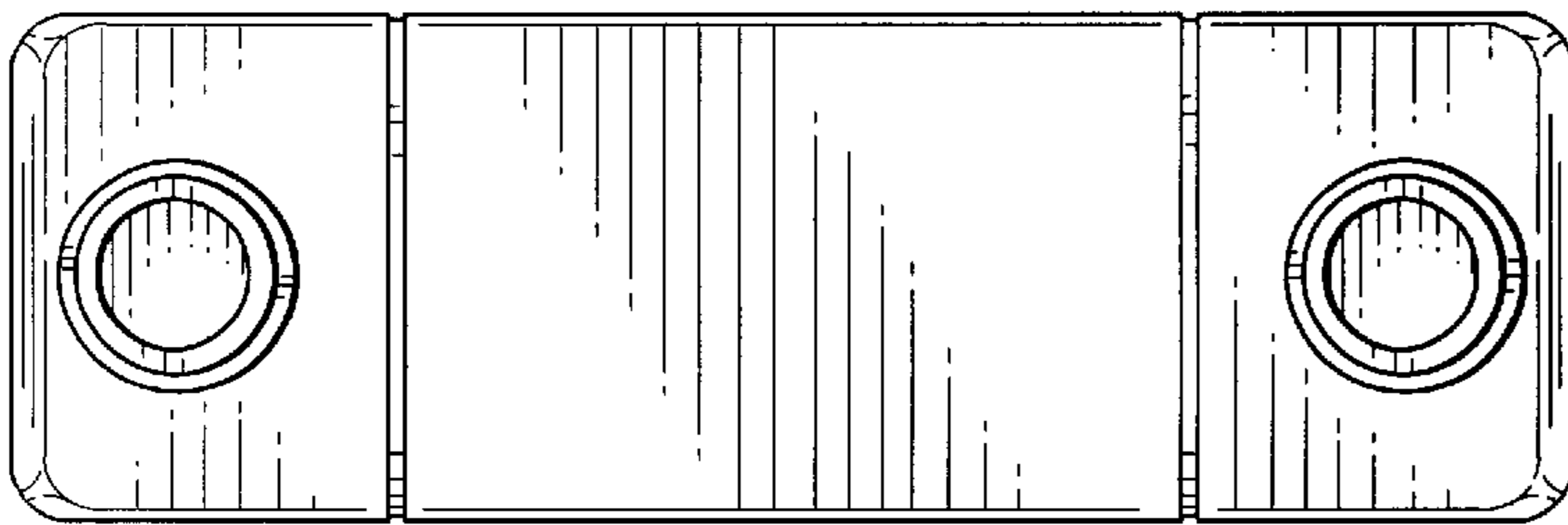


FIG. 7.