



US00D445477S

(12) **United States Design Patent**
Pomier

(10) **Patent No.:** **US D445,477 S**

(45) **Date of Patent:** **** Jul. 24, 2001**

(54) **WASTE WATER TREATMENT TANK**

(76) Inventor: **John Everett Pomier**, 1307 S.
Fieldspan, Duson, LA (US) 70560

(**) Term: **14 Years**

(21) Appl. No.: **29/132,709**

(22) Filed: **Nov. 14, 2000**

(51) **LOC (7) Cl.** **23-01**

(52) **U.S. Cl.** **D23/207**

(58) **Field of Search** D23/202, 203;
220/4.12, 565, 567; 210/532.2

(56) **References Cited**

U.S. PATENT DOCUMENTS

D. 208,539	*	9/1967	Miller	D23/202
D. 347,257	*	5/1994	McGrew	D23/202
3,746,170	*	7/1973	Bloom et al.	D23/202
4,886,605	*	12/1989	Herve	210/532.2
5,186,821	*	2/1993	Murphy	210/532.2
5,361,930	*	11/1994	Perry	220/565
5,738,781	*	4/1998	Carlson	210/532.2

* cited by examiner

Primary Examiner—Robin V. Taylor

(74) *Attorney, Agent, or Firm*—Domingue & Waddell, PLC

(57) **CLAIM**

The ornamental design for the waste water treatment tank, as shown.

DESCRIPTION

FIG. 1 is a perspective view of the waste water treatment tank.

FIG. 2 is a top view of the waste water treatment tank of FIG. 1.

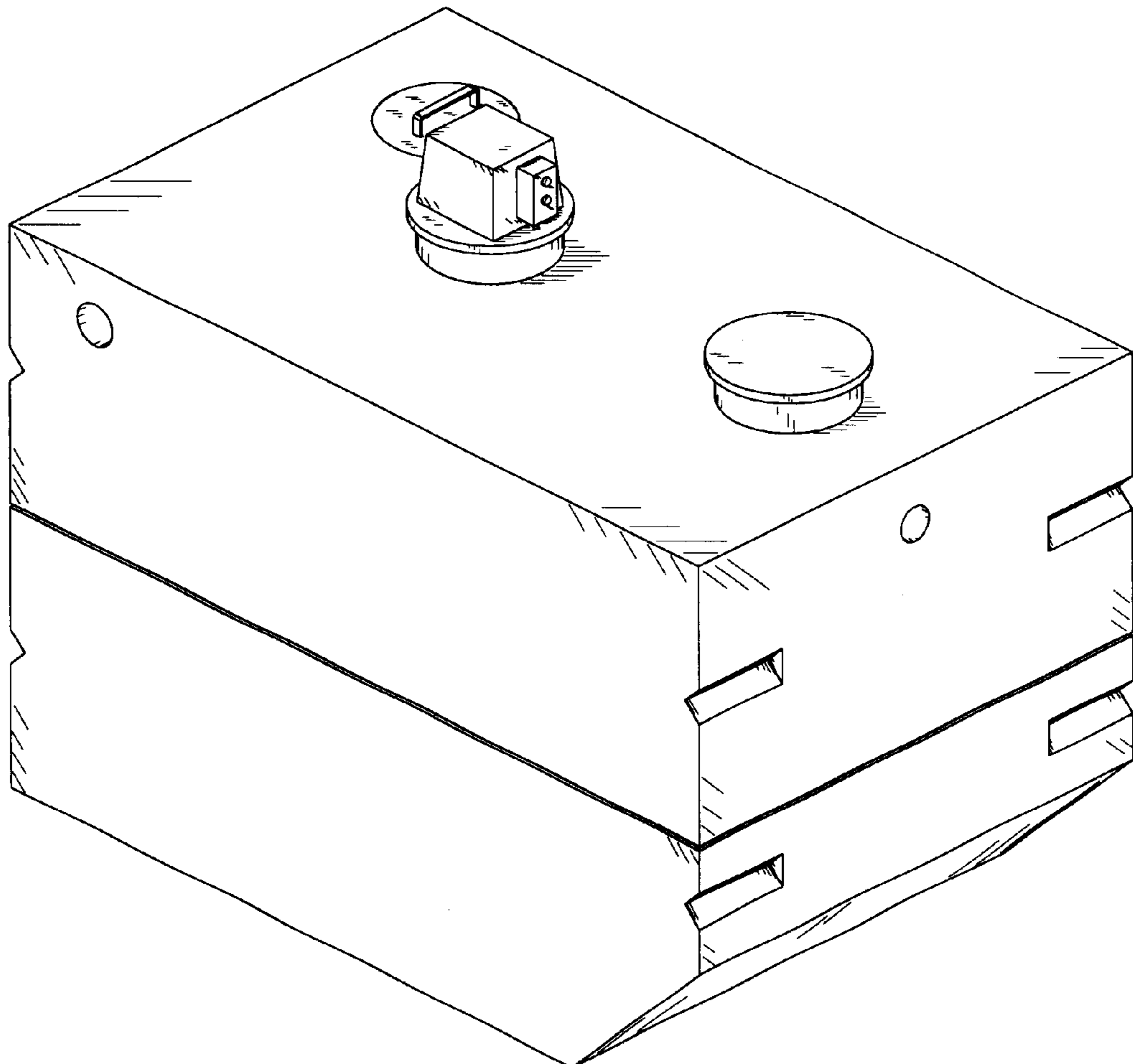
FIG. 3 is a first side view of the waste water treatment tank of the present invention.

FIG. 4 is a second side perspective view of waste water treatment tank of FIG. 1.

FIG. 5 is a bottom perspective view of waste water treatment tank of FIG. 1; and,

FIG. 6 is a third side perspective view of the waste water treatment tank of FIG. 1.

1 Claim, 3 Drawing Sheets



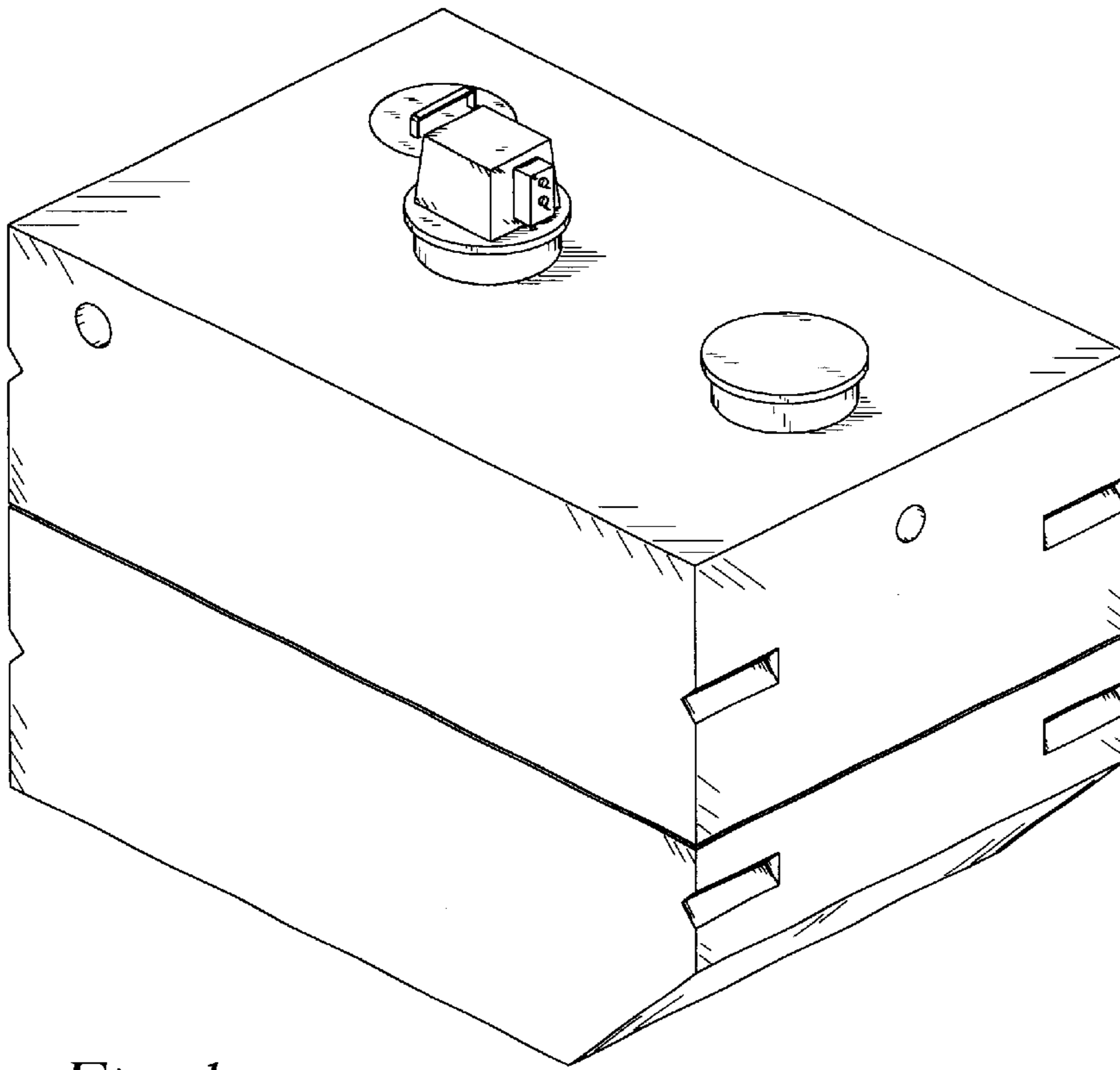


Fig. 1

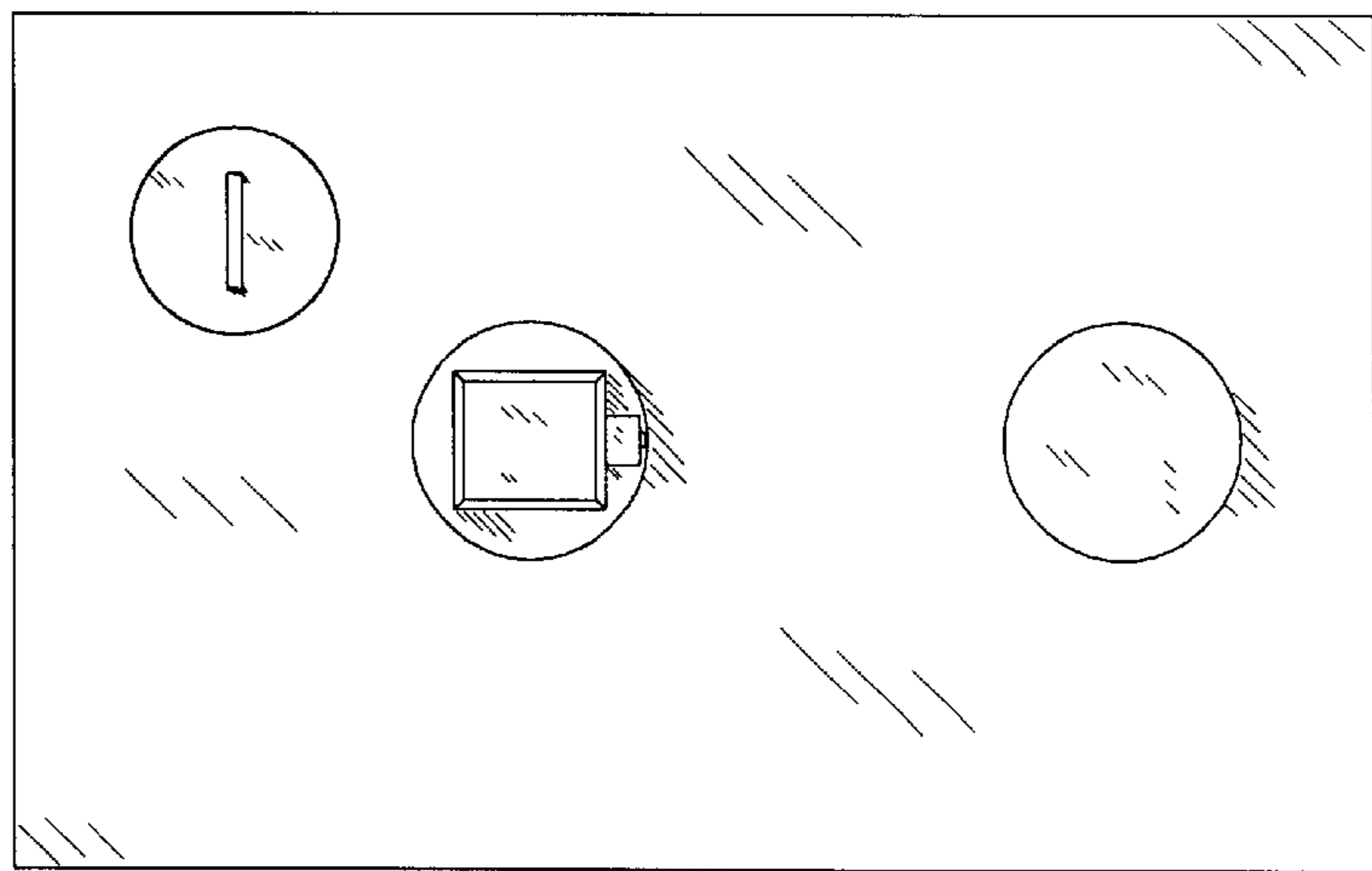


Fig. 2

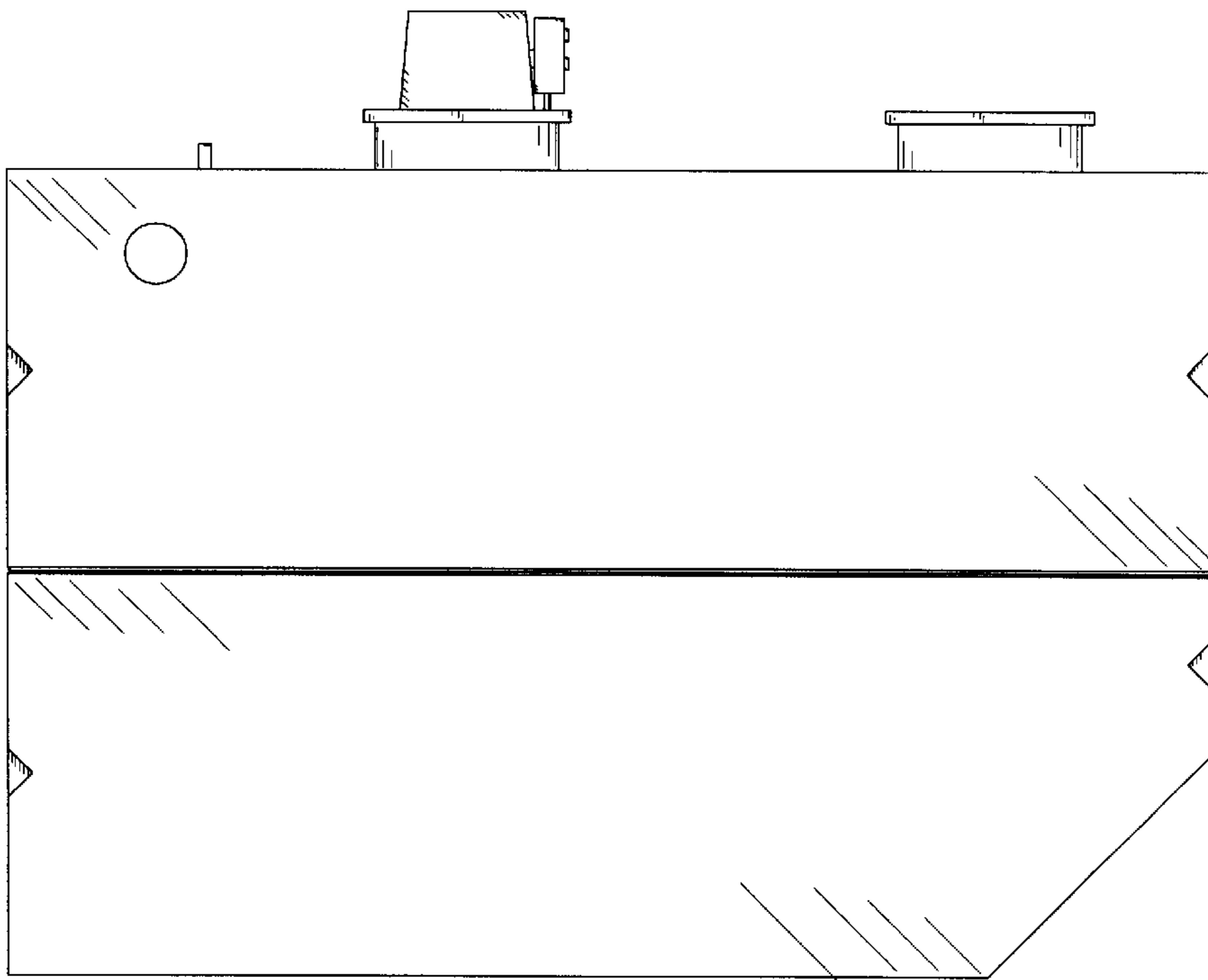


Fig. 3

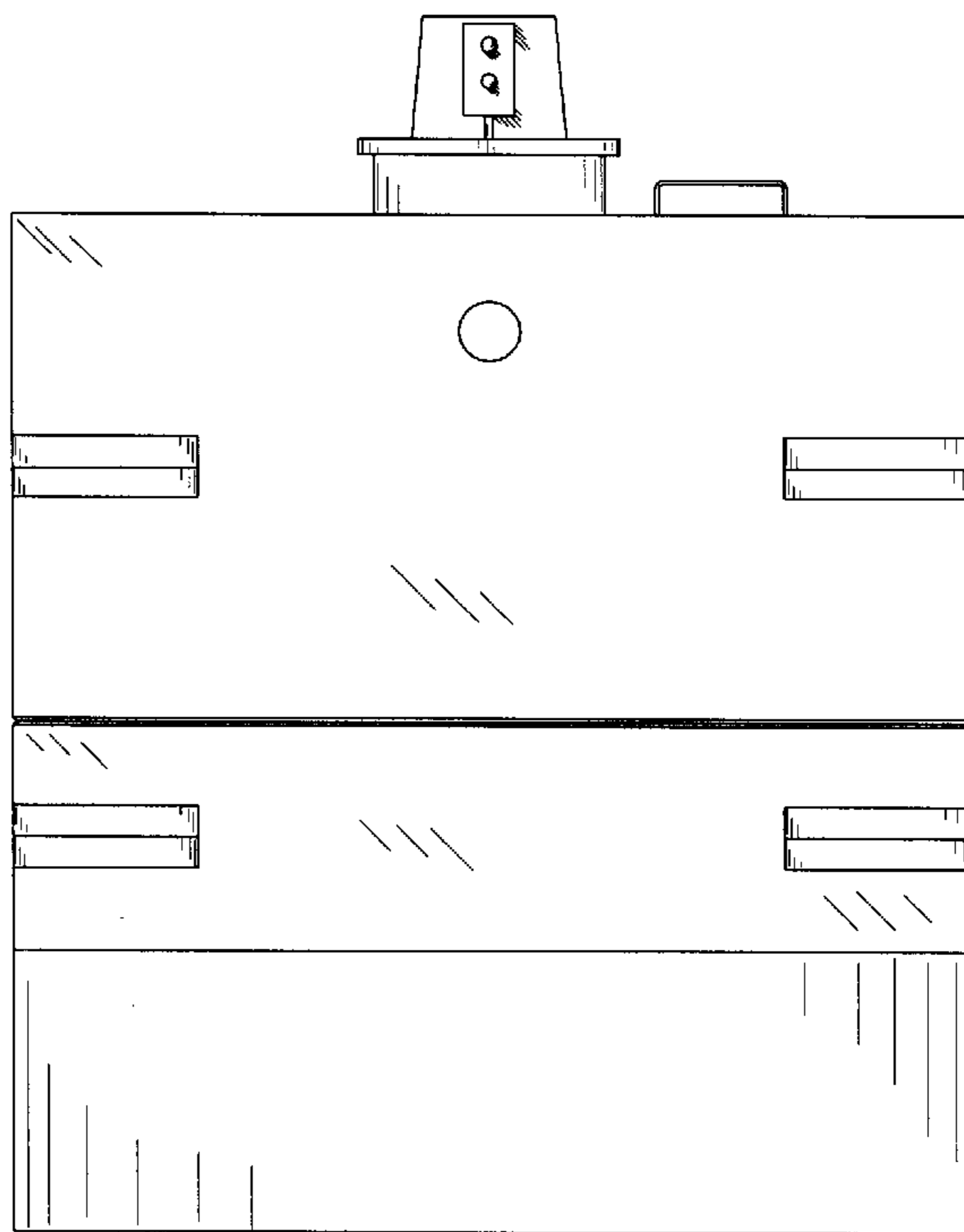


Fig. 4

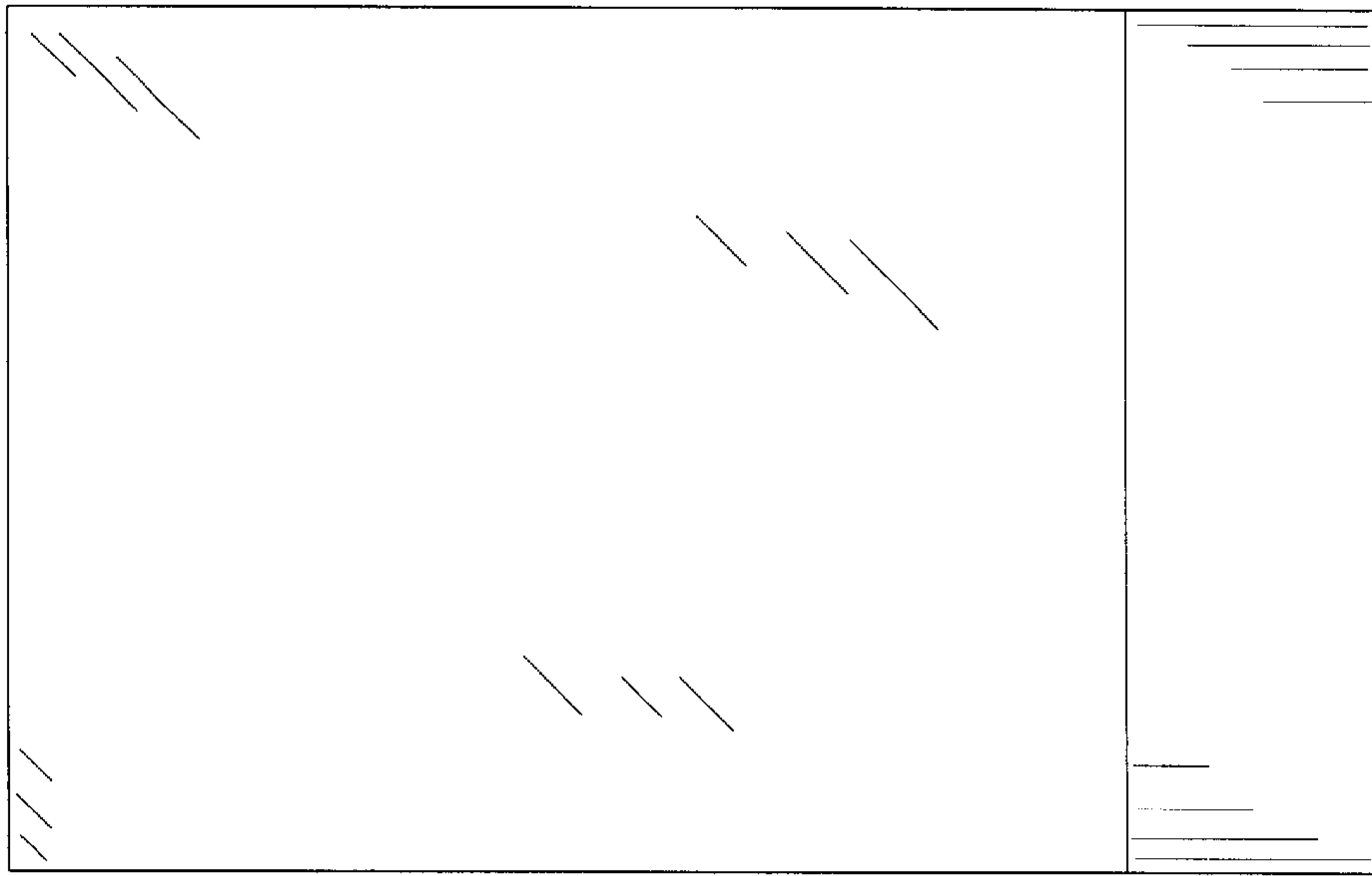


Fig. 5

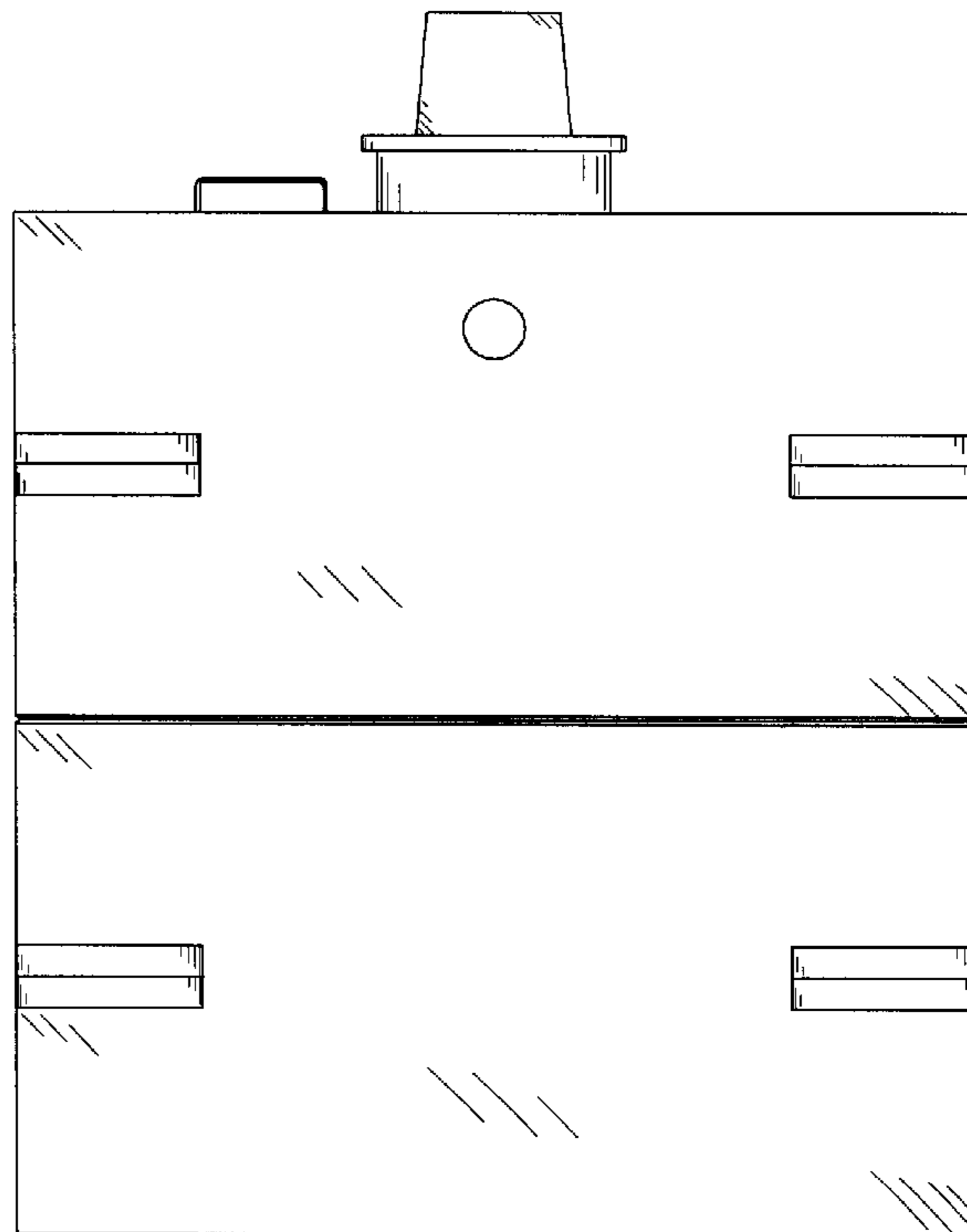


Fig. 6