



US00D445475S

(12) **United States Design Patent**
Spear

(10) **Patent No.:** **US D445,475 S**

(45) **Date of Patent:** **** Jul. 24, 2001**

- (54) **RIFLE SCOPE COVER**
- (76) Inventor: **Richard Spear**, 1618 Cora St., Crest Hill, IL (US) 60435
- (**) Term: **14 Years**
- (21) Appl. No.: **29/115,510**
- (22) Filed: **Dec. 15, 1999**
- (51) **LOC (7) Cl.** **22-01**
- (52) **U.S. Cl.** **D22/108; D22/109**
- (58) **Field of Search** **D22/108, 109; 33/244, 245; 42/90, 96, 100, 101; D16/132, 134, 136**

3,746,423 *	7/1973	Mills	42/101 X
3,831,285	8/1974	Vissing .		
3,977,113	8/1976	Howell .		
4,858,361 *	8/1989	White	42/96
5,150,528	9/1992	Shire .		
5,183,953	2/1993	Anderson et al. .		

* cited by examiner

Primary Examiner—Louis S. Zarfaz
Assistant Examiner—Monica A. Weingart

(57) **CLAIM**

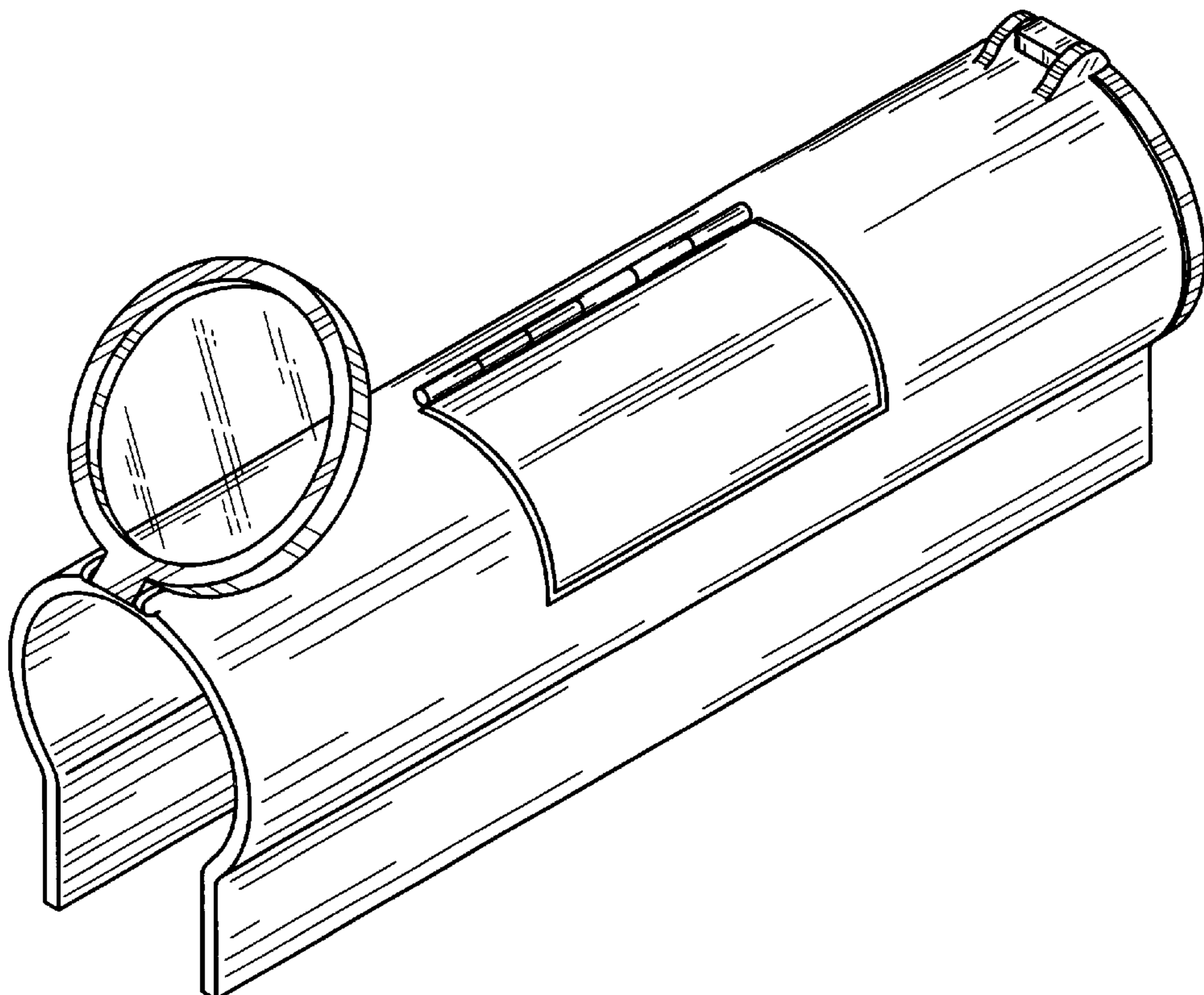
The ornamental design for a rifle scope cover, as shown and described.

DESCRIPTION

FIG. 1 is a perspective view of a rifle scope cover showing my new design;
 FIG. 2 is a top plan view on a reduced scale thereof;
 FIG. 3 is a side elevational view thereof, the dashed lines representing the respective endcaps in an alternate open condition, and the opposite side being a mirror image thereof;
 FIG. 4 is a bottom plan view thereof;
 FIG. 5 is a front end elevational view thereof; and,
 FIG. 6 is a rear end elevational view thereof.

- (56) **References Cited**
- U.S. PATENT DOCUMENTS**
- D. 274,079 5/1984 Schuster .
- D. 323,372 1/1992 Surber .
- D. 328,753 8/1992 Heckerman .
- D. 364,668 11/1995 Keng .
- 2,522,897 * 9/1950 Rotter 33/244
- 2,632,252 * 3/1953 Blais 33/244
- 2,738,585 5/1956 Vissing .
- 2,889,629 * 6/1959 Darkenwald 33/244
- 3,208,146 * 9/1965 Nelson 33/244
- 3,426,433 * 2/1969 Anderson 33/245
- 3,496,642 2/1970 Pfabler .

1 Claim, 2 Drawing Sheets



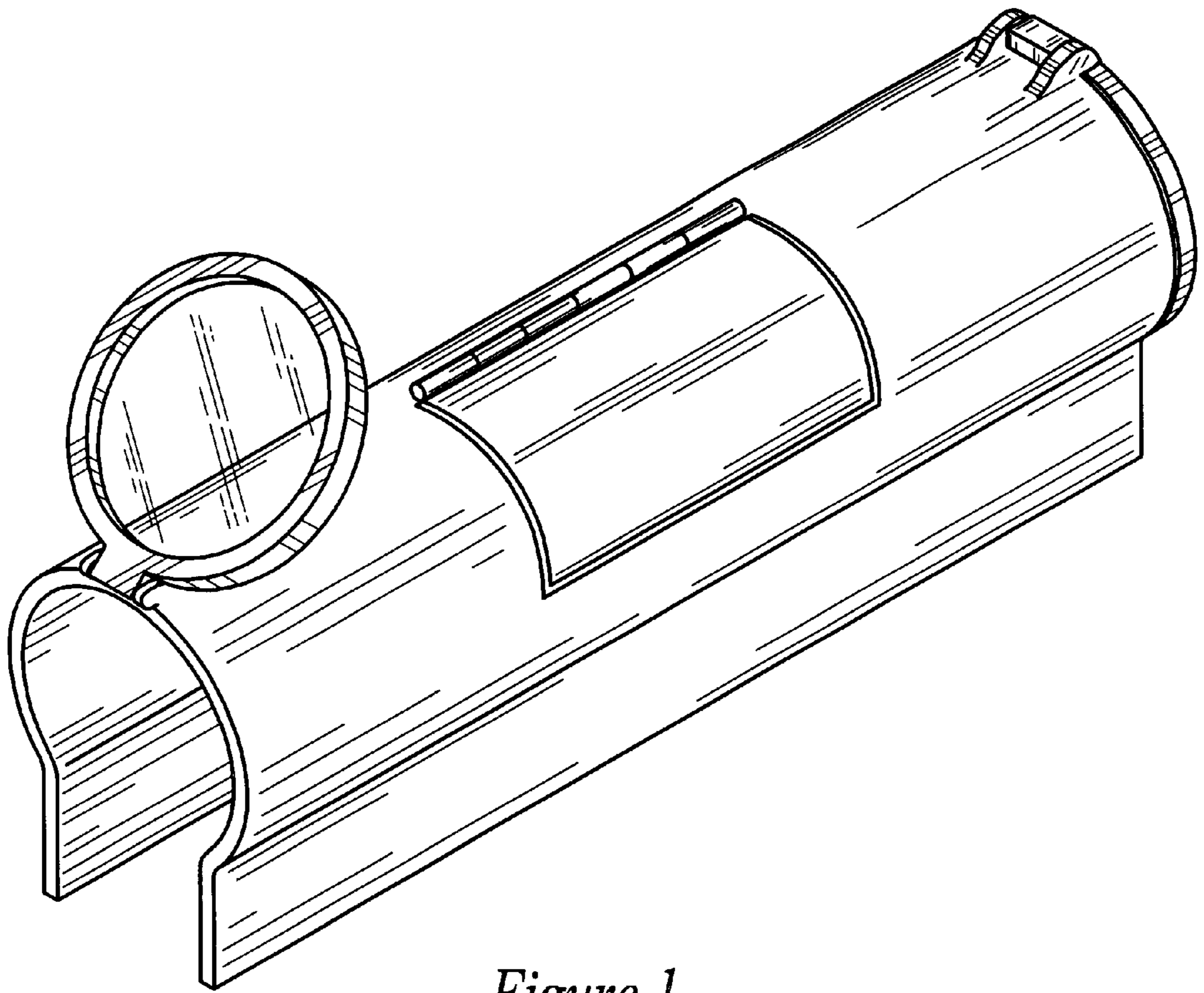


Figure 1

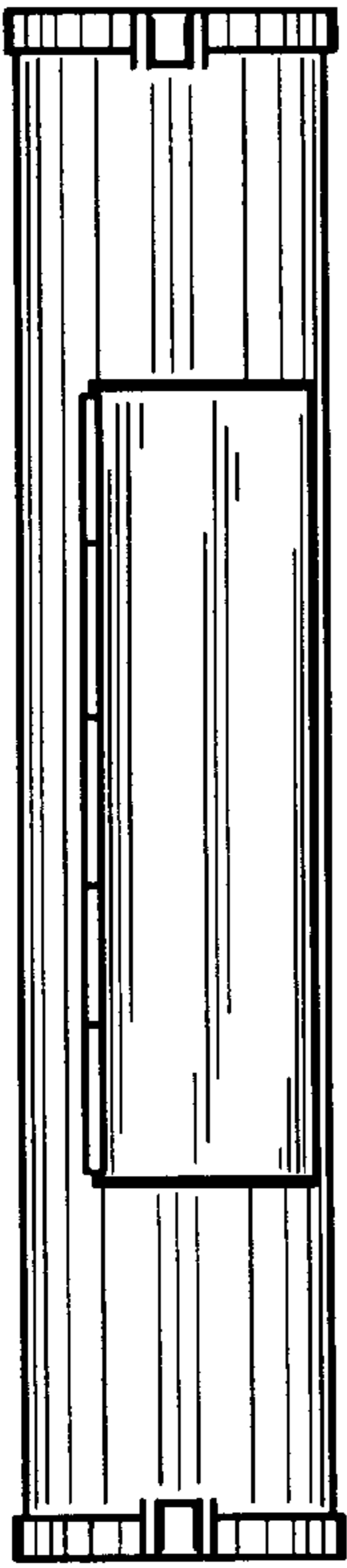


Figure 2

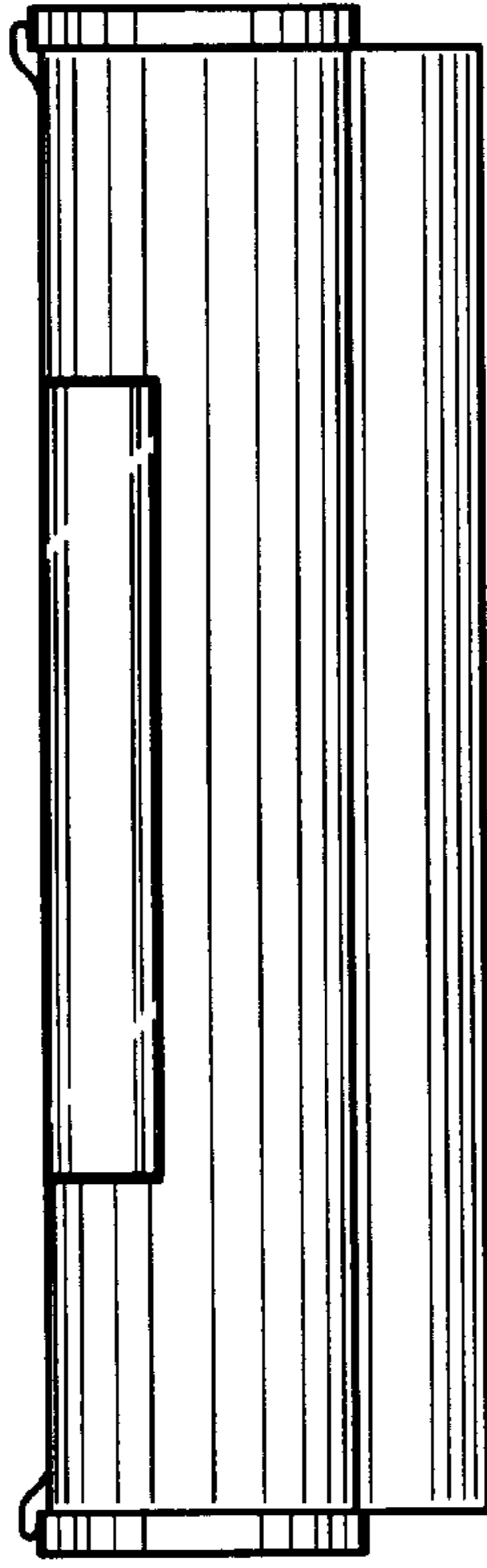


Figure 3

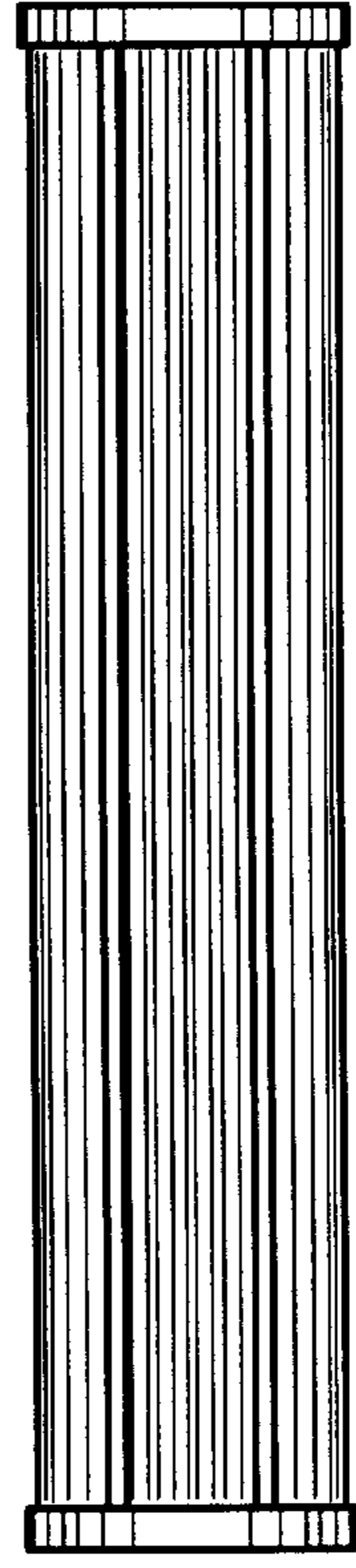


Figure 4

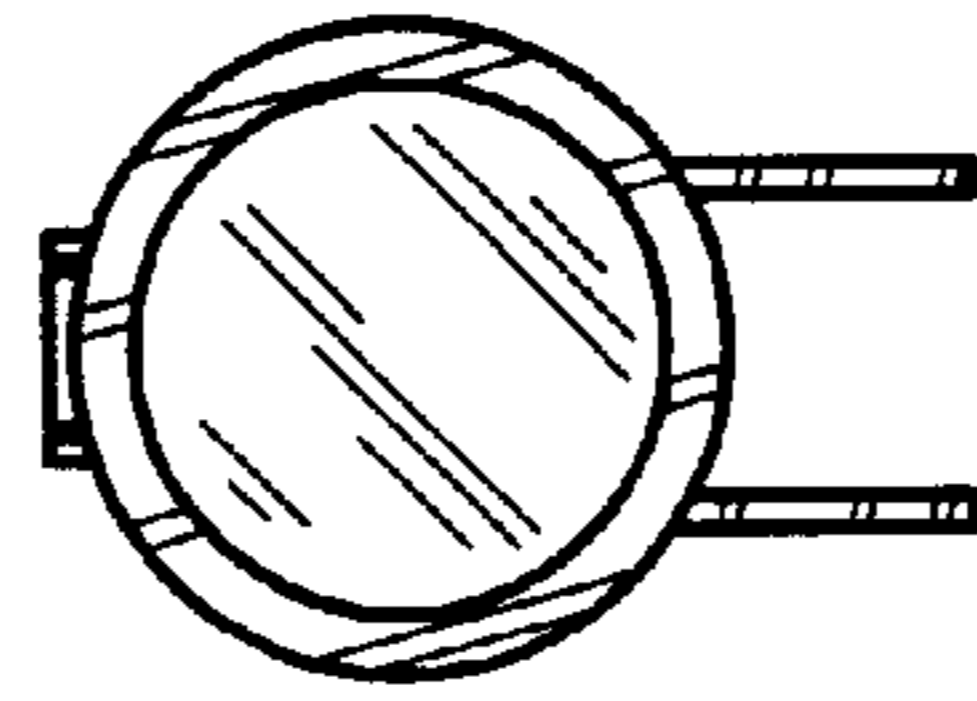


Figure 5

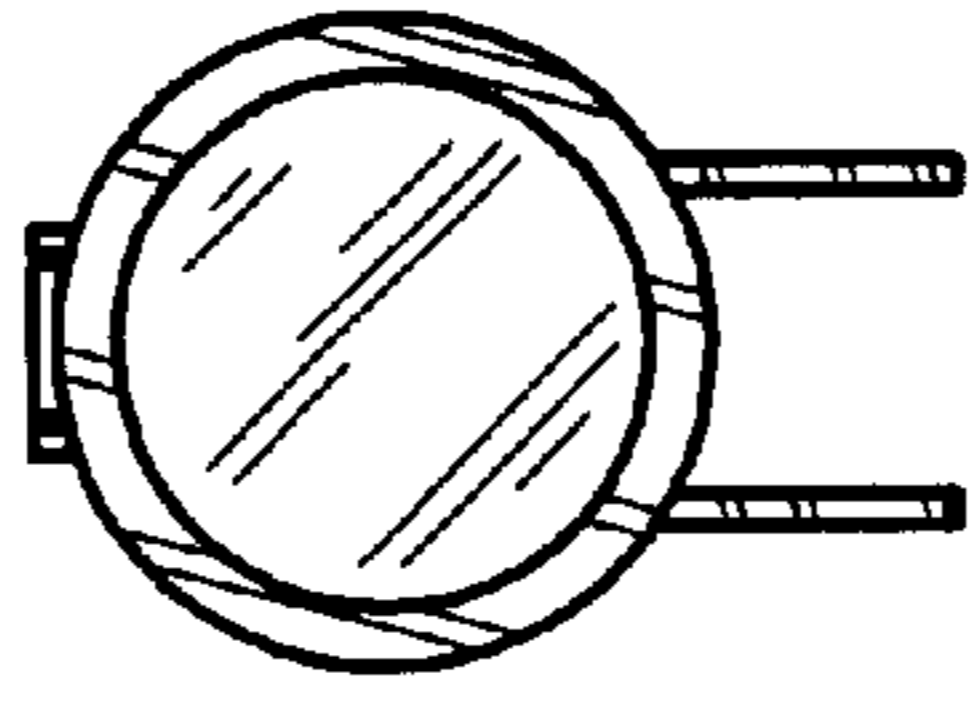


Figure 6