



US00D445466S

(12) **United States Design Patent**  
**Ma**

(10) **Patent No.:** **US D445,466 S**

(45) **Date of Patent:** **\*\* Jul. 24, 2001**

(54) **TOY VEHICLE**

(75) Inventor: **Philip Ma**, Coquitlam (CA)

(73) Assignee: **Goldlok Toys Manufactory Co., Ltd.**,  
Hong Kong (CN)

(\*\*) Term: **14 Years**

(21) Appl. No.: **29/134,281**

(22) Filed: **Dec. 18, 2000**

(51) **LOC (7) Cl.** ..... **21-01**

(52) **U.S. Cl.** ..... **D21/552**

(58) **Field of Search** ..... D21/533, 552,  
D21/558, 580, 581, 434; D12/84, 93, 97,  
100, 103, 104; 446/93, 95, 465, 468, 470,  
76; 296/156-176

(56) **References Cited**

**U.S. PATENT DOCUMENTS**

D. 227,242	*	6/1973	Hanson	.....	D12/100
D. 262,391	*	12/1981	Kanaoki	.....	D21/552
D. 262,531	*	1/1982	Hanson	.....	D12/84
D. 295,772	*	5/1988	Kwan	.....	D21/552
D. 424,133	*	5/2000	Hollis et al.	.....	D21/552
3,719,244	*	3/1973	Miller et al.	.....	D12/103

4,055,250 \* 10/1977 Mathew ..... 446/76

5,634,683 \* 6/1997 Young ..... 296/176

5,983,576 \* 11/1999 Hanser ..... 296/176

\* cited by examiner

*Primary Examiner*—Raphael Barkai

(74) *Attorney, Agent, or Firm*—Alix, Yale & Ristas, LLP

(57) **CLAIM**

The ornamental design for a toy vehicle, as shown and described.

**DESCRIPTION**

FIG. 1 is a front perspective view of the toy vehicle showing my new design;

FIG. 2 is a front perspective view in an opened position of the toy vehicle of FIG. 1;

FIG. 3 is a rear perspective view in an opened position of the toy vehicle of FIG. 1;

FIG. 4 is a front view of the toy vehicle of FIG. 1;

FIG. 5 is a rear view of the toy vehicle of FIG. 1;

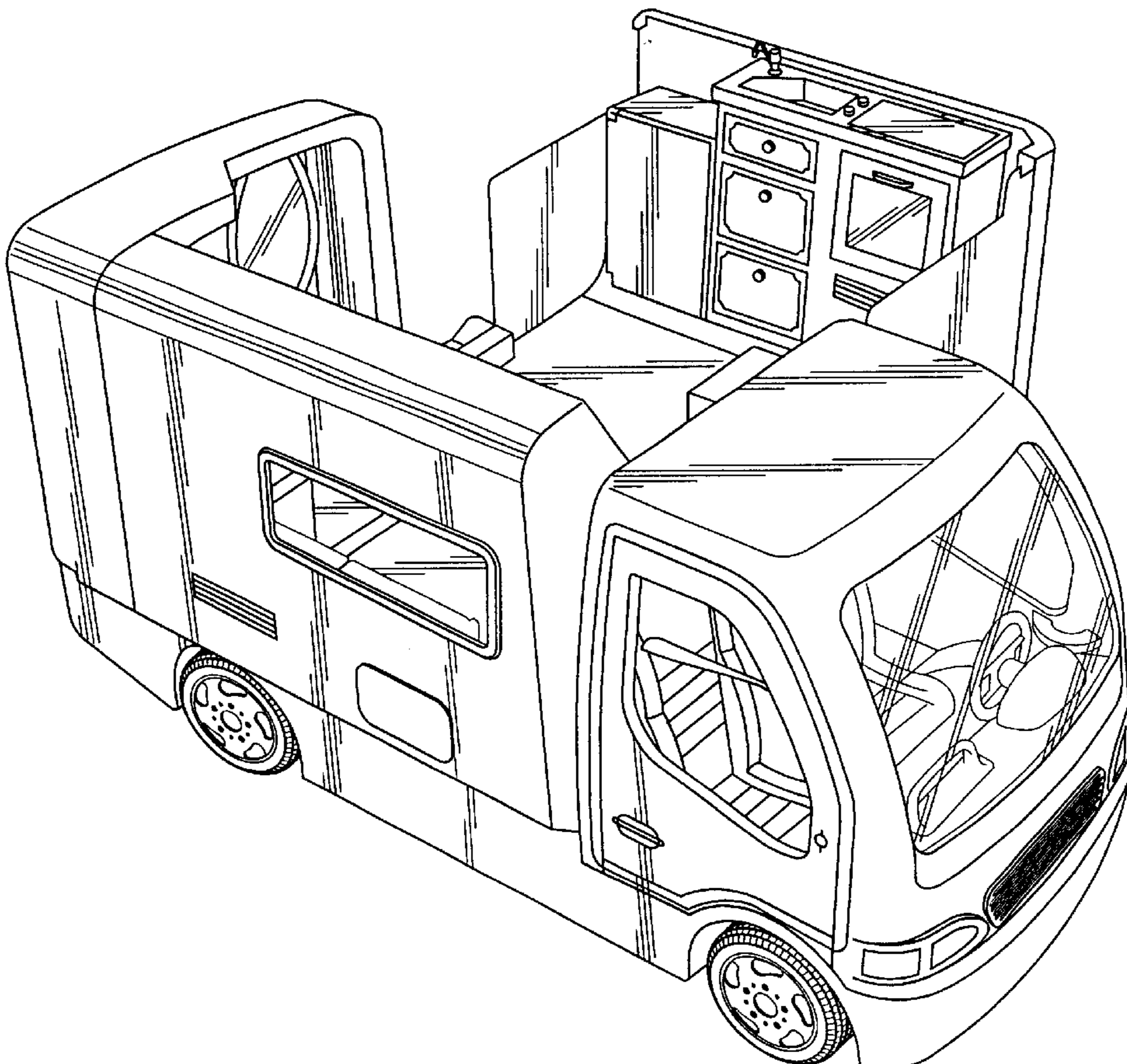
FIG. 6 is a left side view of the toy vehicle of FIG. 1;

FIG. 7 is a right side view of the toy vehicle of FIG. 1;

FIG. 8 is a top plan view of the toy vehicle of FIG. 1; and,

FIG. 9 is a bottom plan view of the toy vehicle of FIG. 1.

**1 Claim, 7 Drawing Sheets**



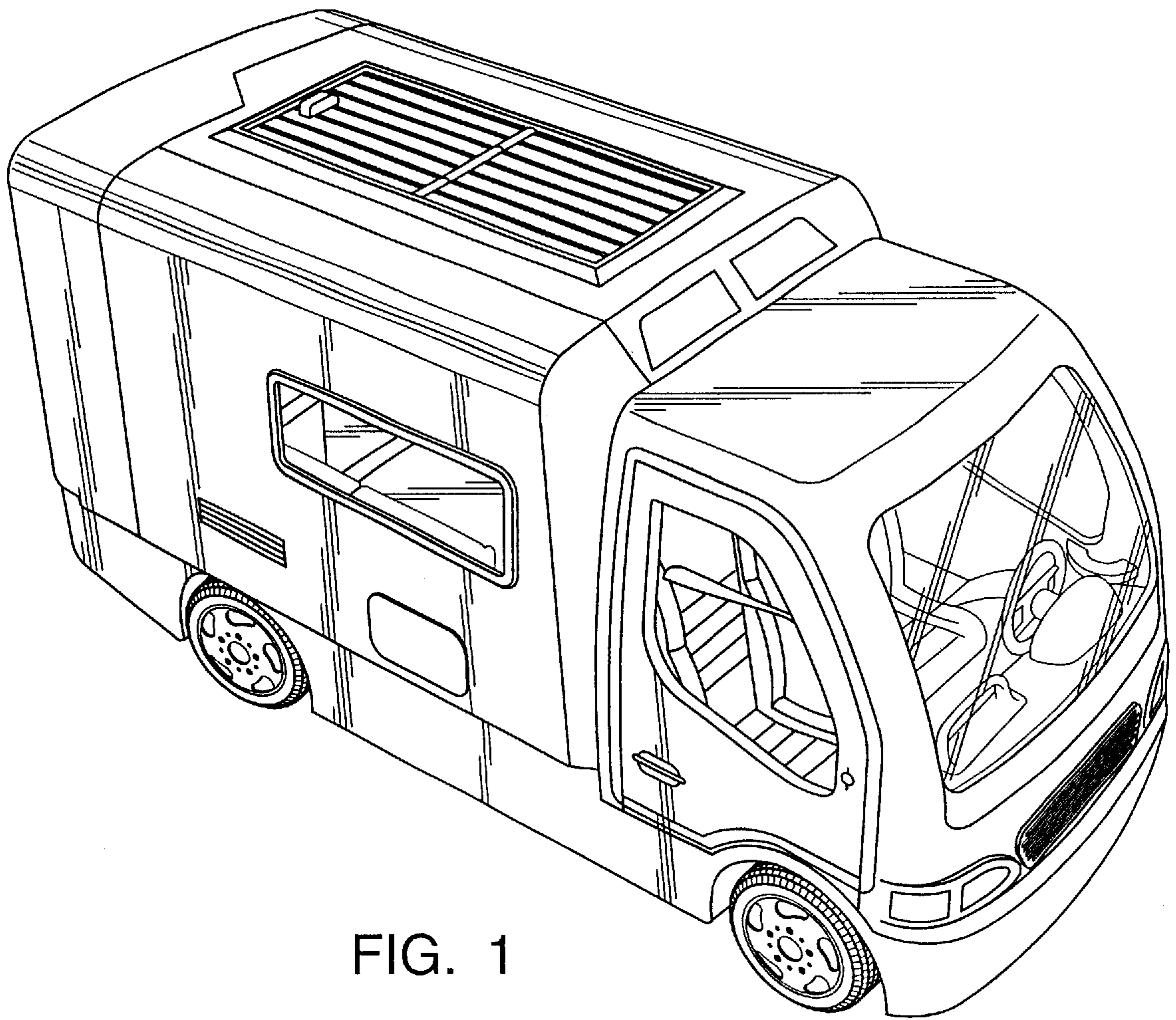


FIG. 1



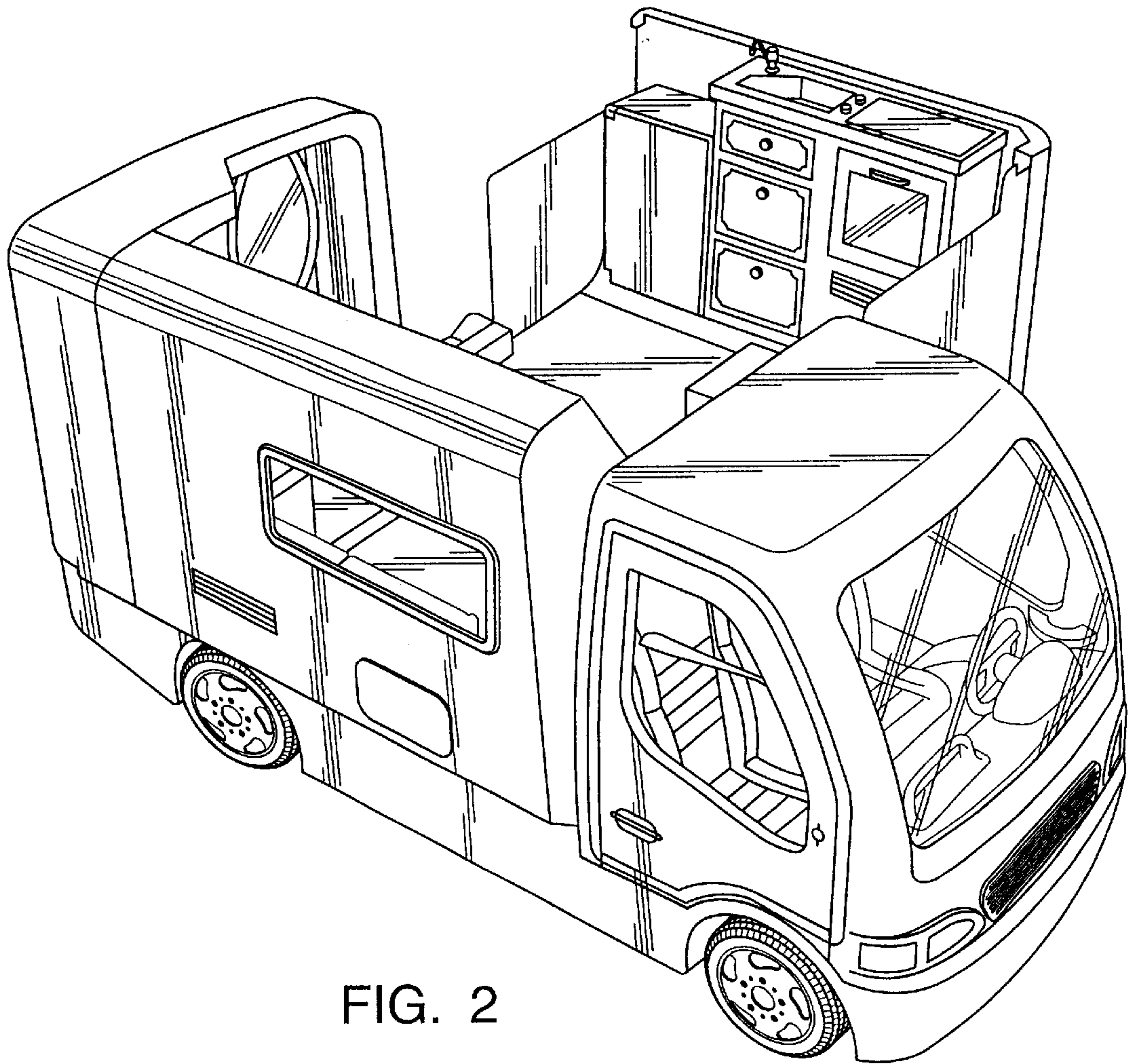


FIG. 2

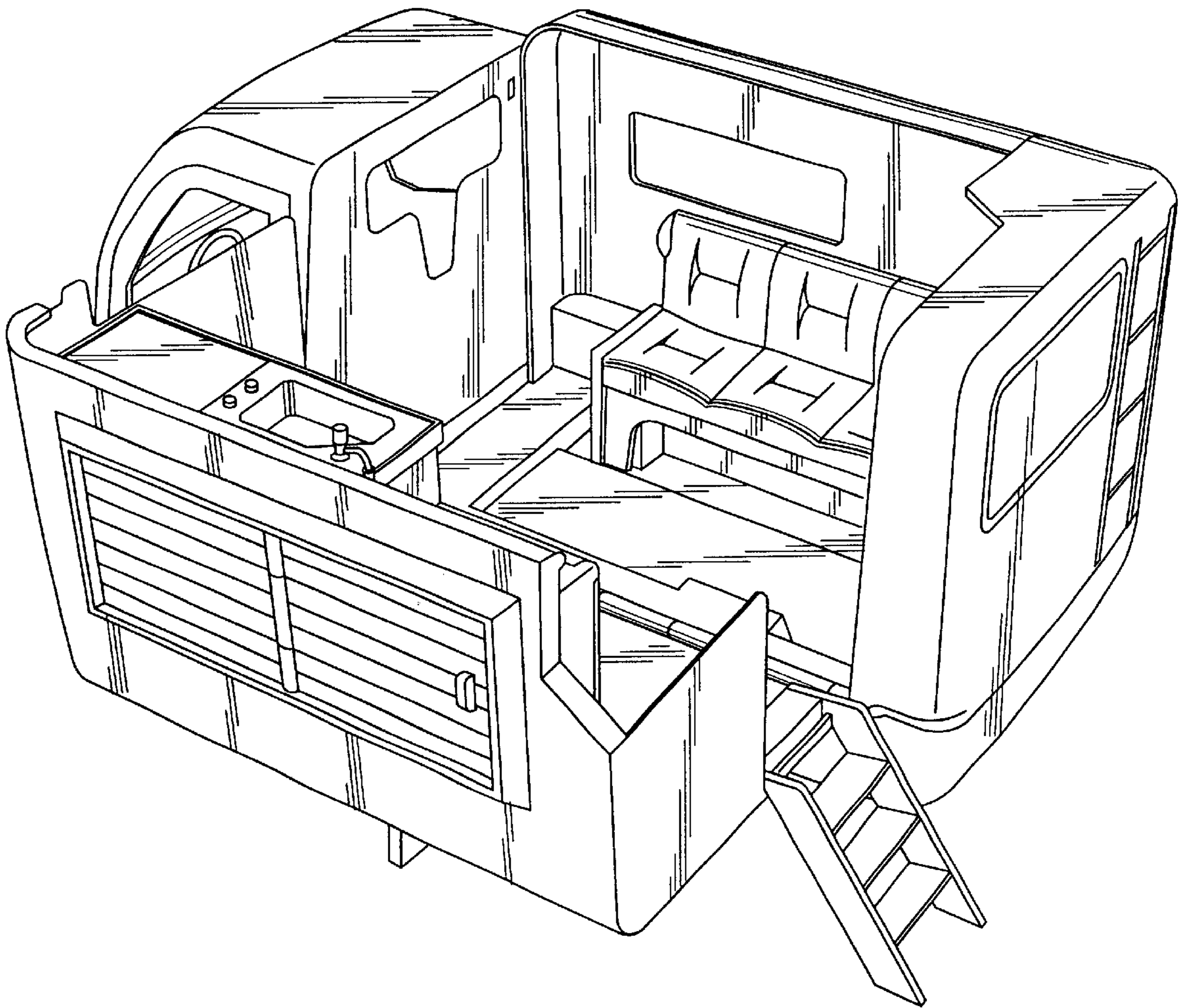


FIG. 3

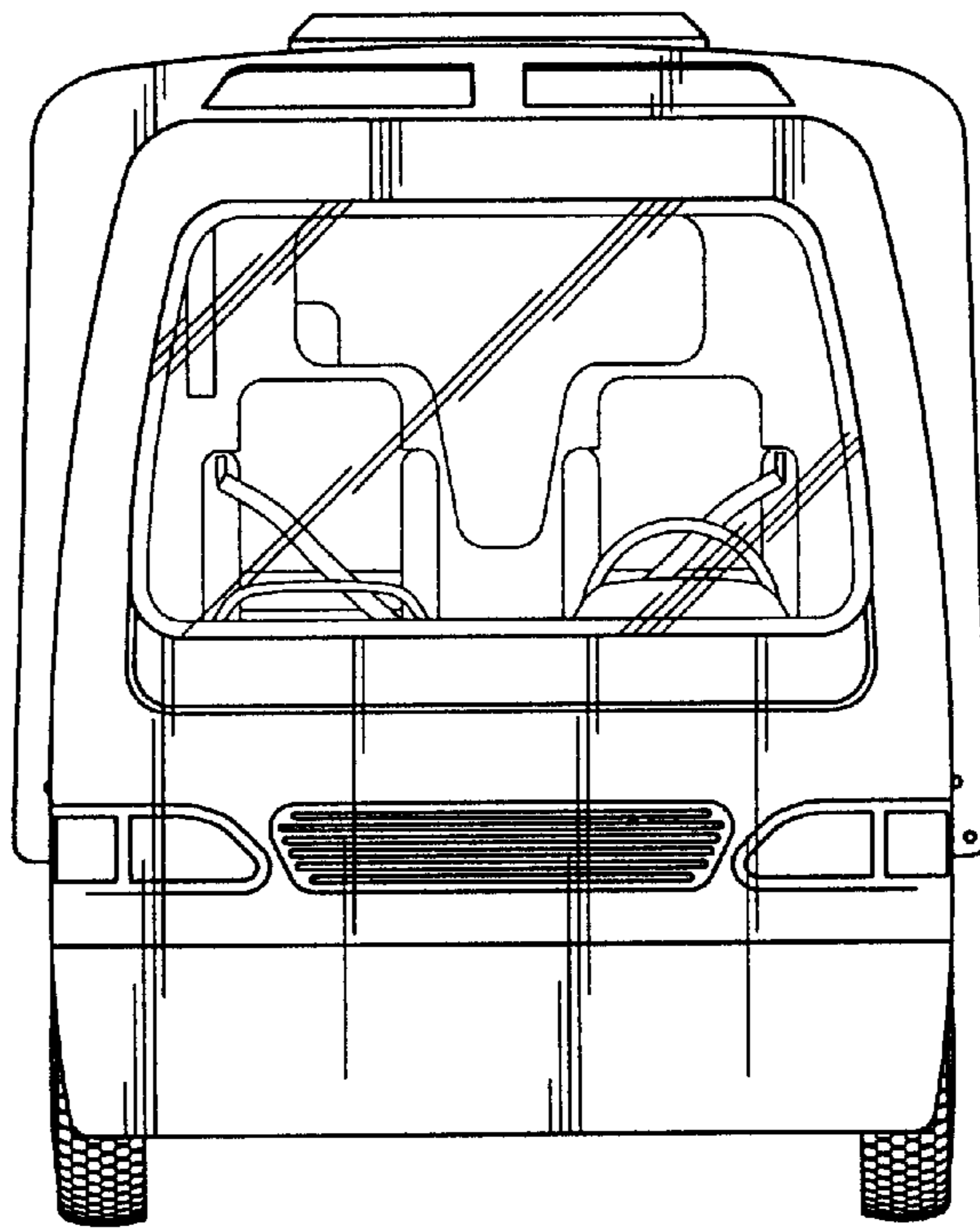


FIG. 4

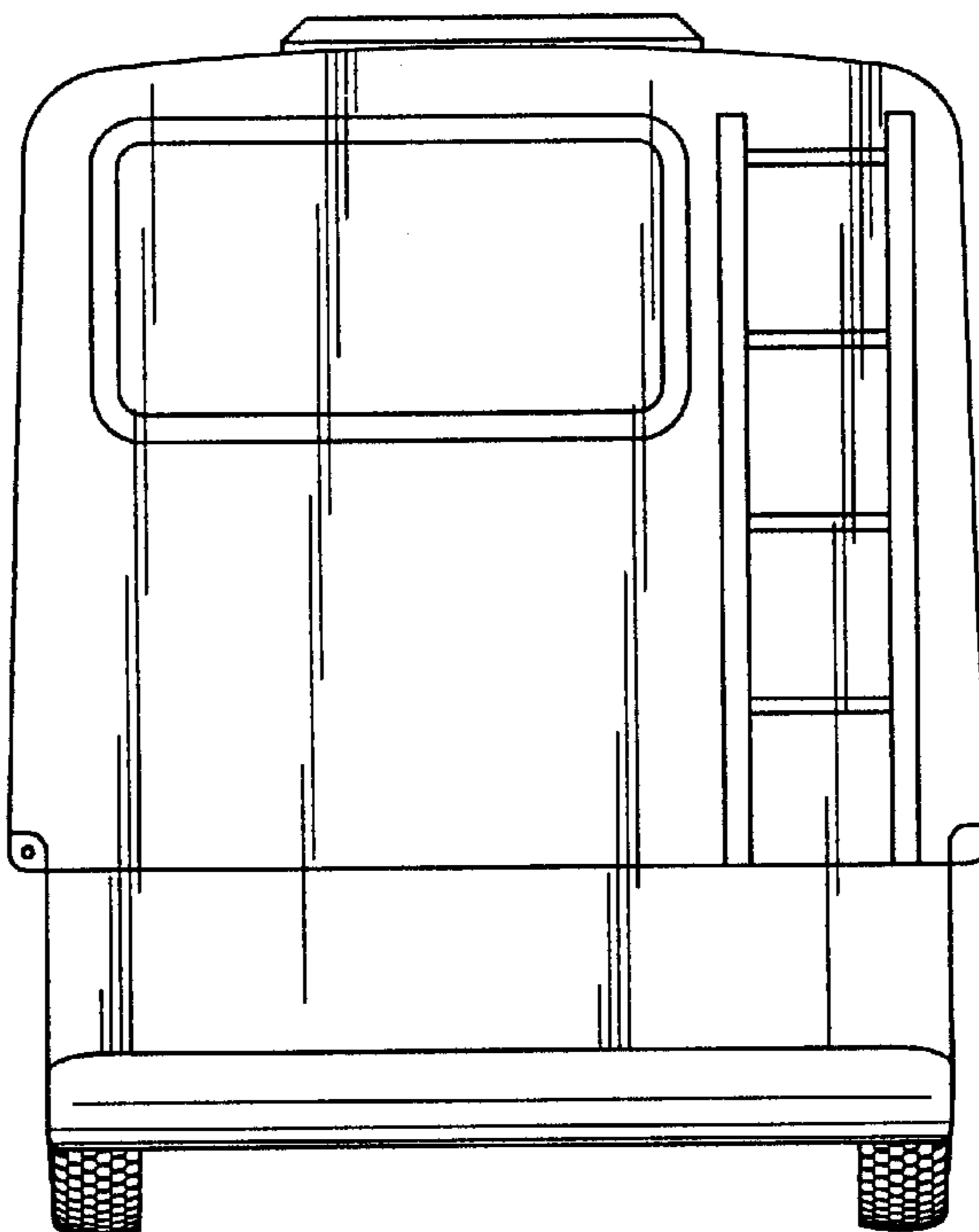


FIG. 5

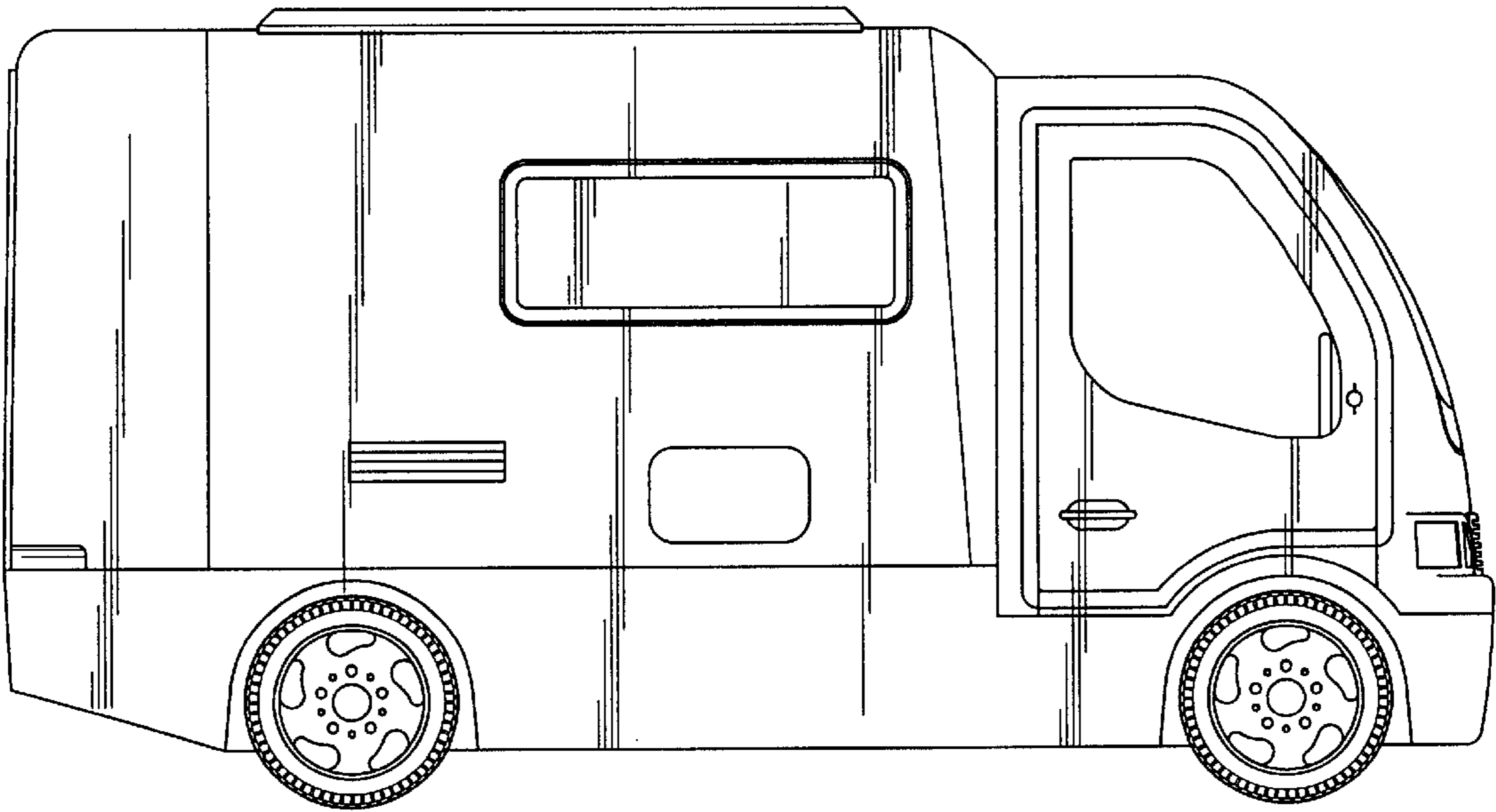


FIG. 6

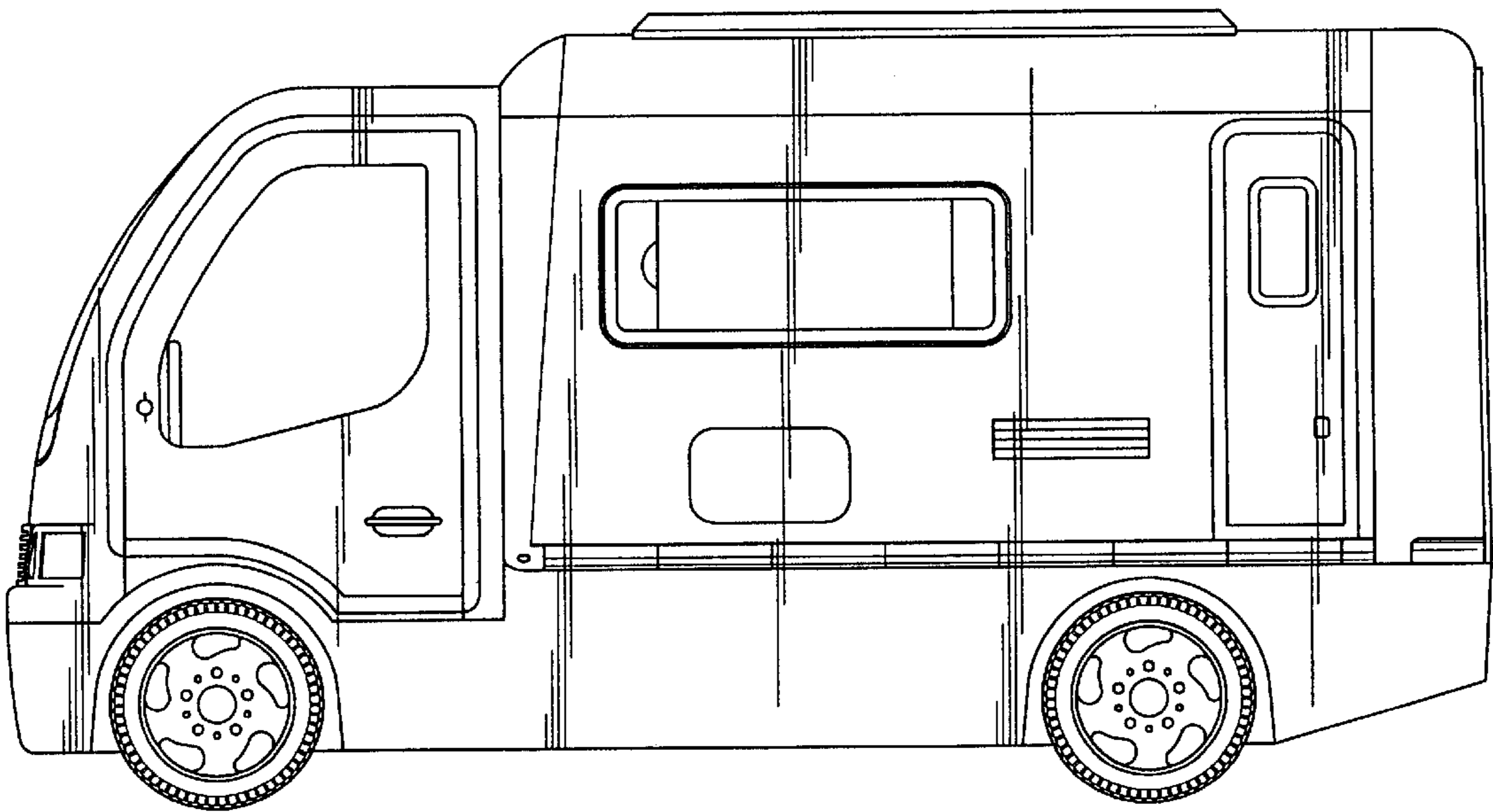


FIG. 7



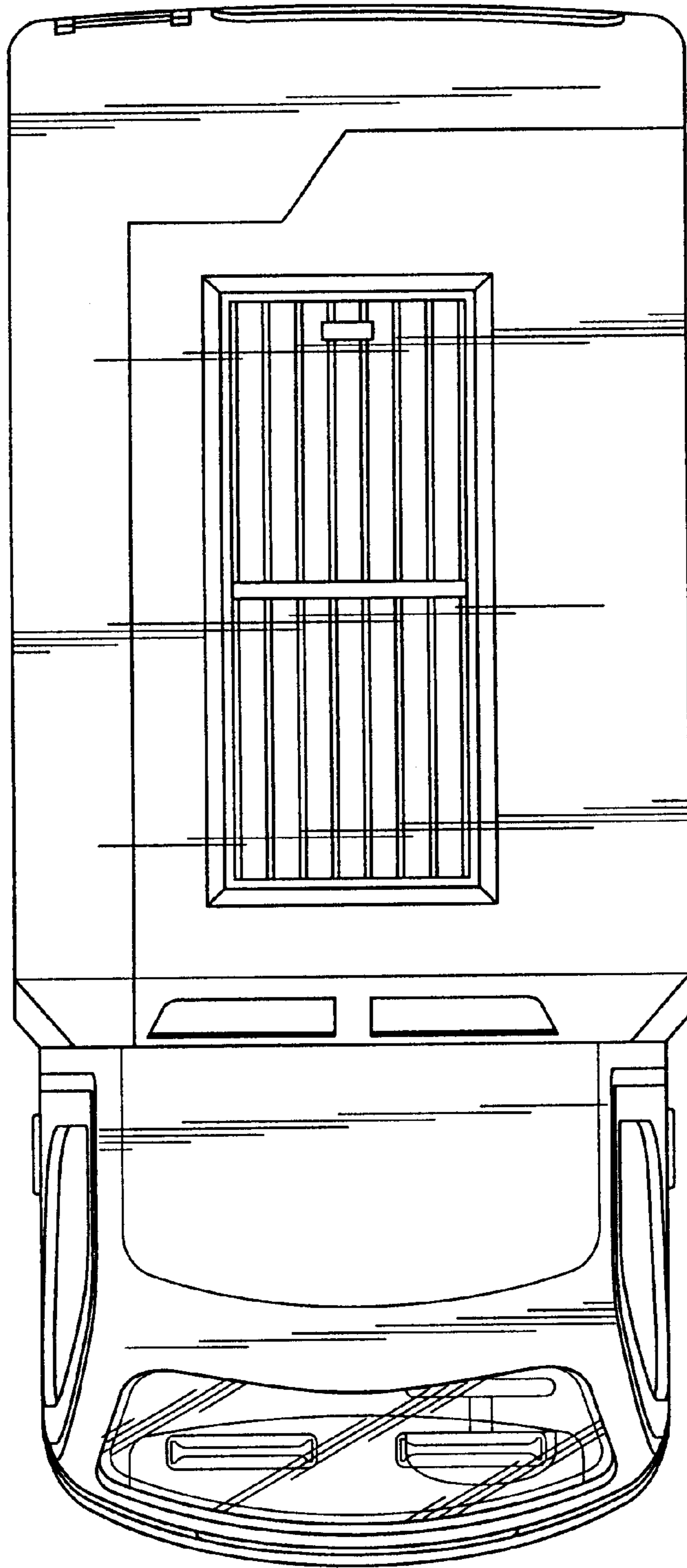


FIG. 8

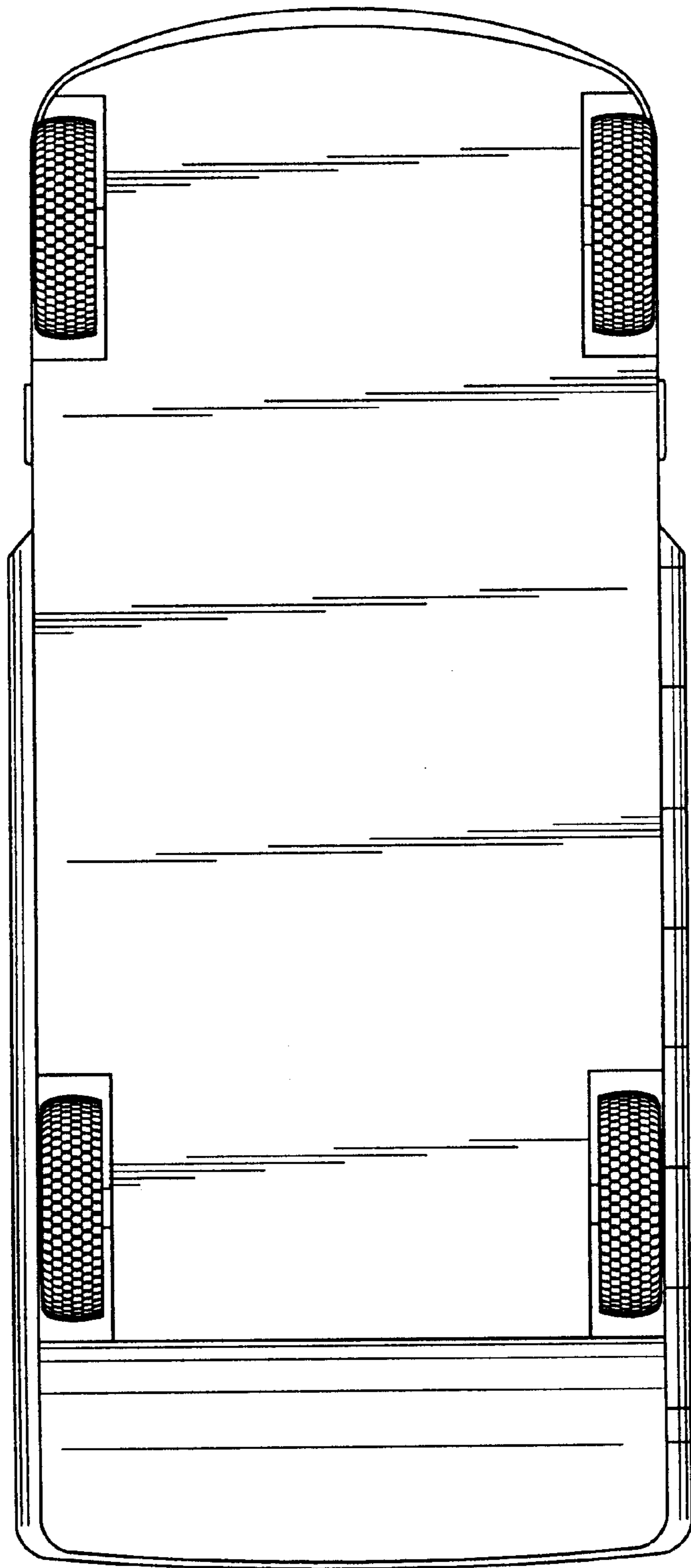


FIG. 9