



US00D445463S

(12) **United States Design Patent**
Seo

(10) **Patent No.:** **US D445,463 S**

(45) **Date of Patent:** **** Jul. 24, 2001**

(54) **MEMBER FOR USE IN A HULA-HOOP**

6,102,769 * 8/2000 Huang 446/236

(75) Inventor: **Jong Han Seo**, Seoul (KR)

* cited by examiner

(73) Assignee: **Lento Co., Ltd.**, Seoul (KR)

Primary Examiner—Dominic Simone

(**) Term: **14 Years**

(74) *Attorney, Agent, or Firm*—Dellett and Walters

(21) Appl. No.: **29/118,022**

(57) **CLAIM**

(22) Filed: **Feb. 2, 2000**

I claim the ornamental design for a member for use in a hula-hoop, as shown and described.

(30) **Foreign Application Priority Data**

DESCRIPTION

Nov. 17, 1999 (KR) 1999-27611

(51) **LOC (7) Cl.** **21-01**

(52) **U.S. Cl.** **D21/457**

(58) **Field of Search** D21/457; 446/236,
446/242-244, 450

FIG. 1 is a perspective view of the member for use in a hula-hoop according to my design;

FIG. 2 is a front view of the member for use in a hula-hoop according to my design;

FIG. 3 is rear elevational view of the member for use in a hula-hoop according to my design;

FIG. 4 is a left side view of the member for use in a hula-hoop according to my design;

FIG. 5 is a right side view of the member for use in a hula-hoop according to my design;

FIG. 6 is a top view of the member for use in a hula-hoop according to my design;

FIG. 7 is a bottom view of the member for use in a hula-hoop according to my design;

FIG. 8 is a perspective view thereof, the additional members shown in broken lines for illustrative purposes only and form no part of the claimed design; and,

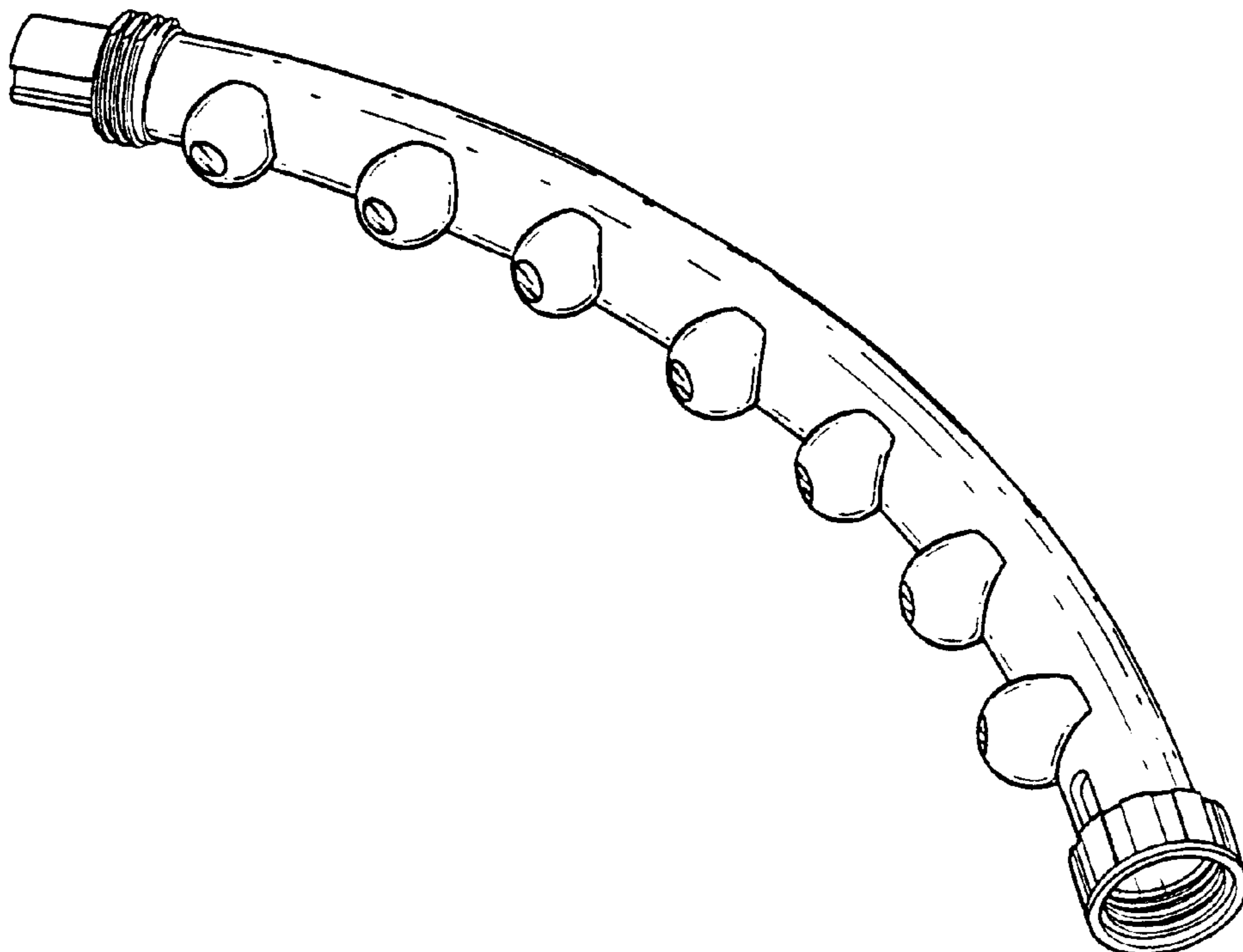
FIG. 9 is a top plan view of FIG. 1, the additional members shown in broken lines for illustrative purposes only and form no part of the claimed design.

(56) **References Cited**

U.S. PATENT DOCUMENTS

- D. 55,412 * 6/1920 Brown D21/457
- D. 320,241 * 9/1991 Moore D21/457
- D. 342,294 * 12/1993 Kirkland D21/457
- D. 343,209 * 1/1994 Lee D21/457
- 3,079,728 * 3/1963 Melin 446/236
- 4,052,982 * 10/1977 Ozeryansky 446/236 X
- 4,380,885 * 4/1983 Komagata 446/236
- 4,915,666 * 4/1990 Maleyko 446/242
- 5,338,244 * 8/1994 Huang 446/242
- 5,569,134 * 10/1996 Nordanger 446/236 X
- 5,823,846 * 10/1998 Arriola et al. 446/236
- 5,997,449 * 12/1999 Lee 446/236 X
- 6,059,632 * 5/2000 Sassak 446/236

1 Claim, 4 Drawing Sheets



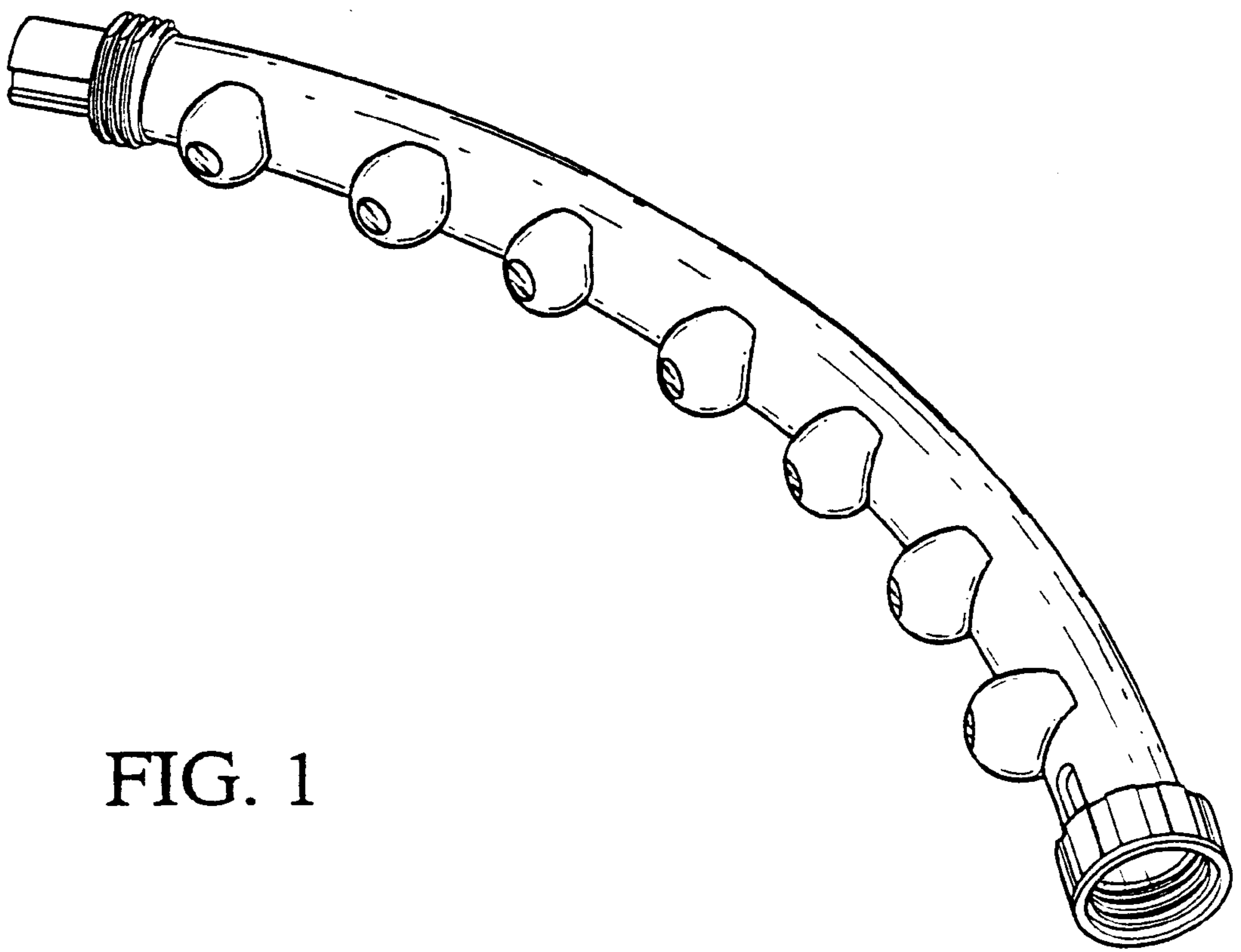


FIG. 1

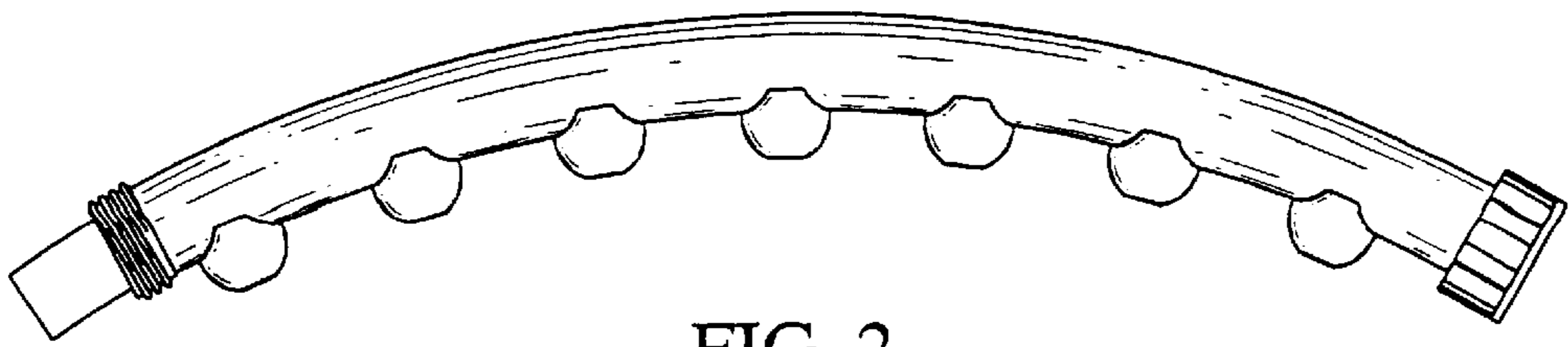


FIG. 2

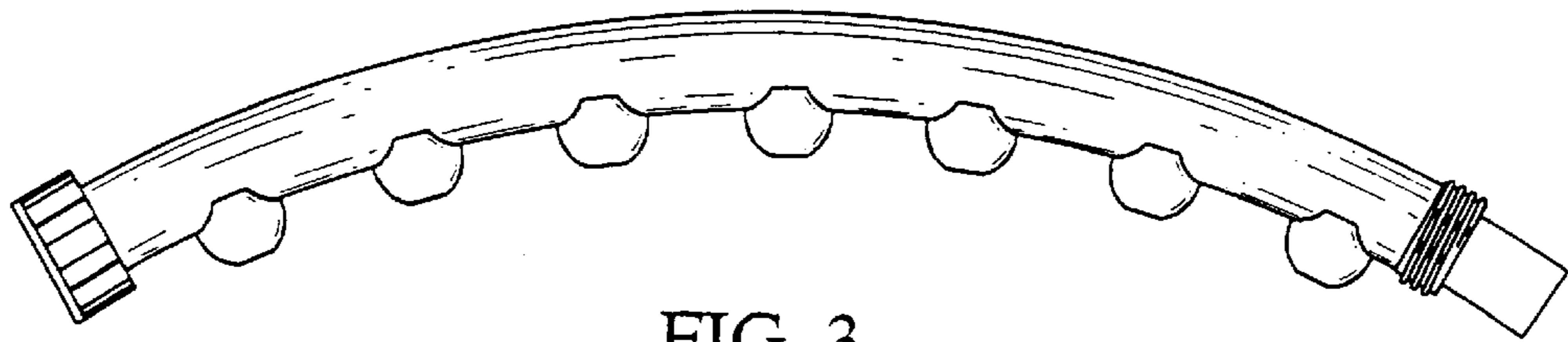


FIG. 3

FIG. 4

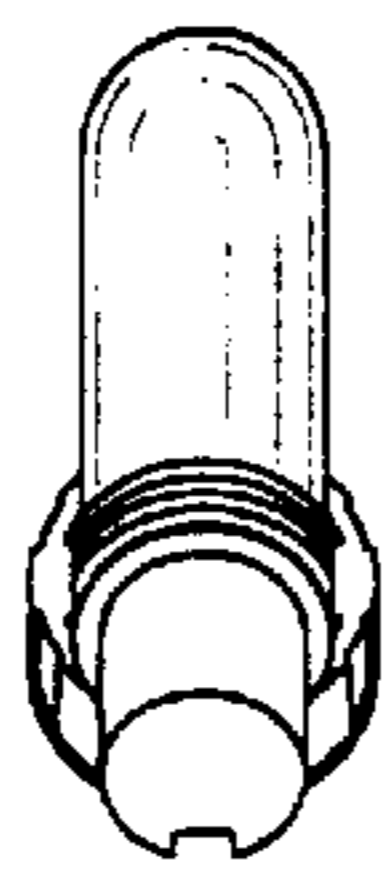


FIG. 5

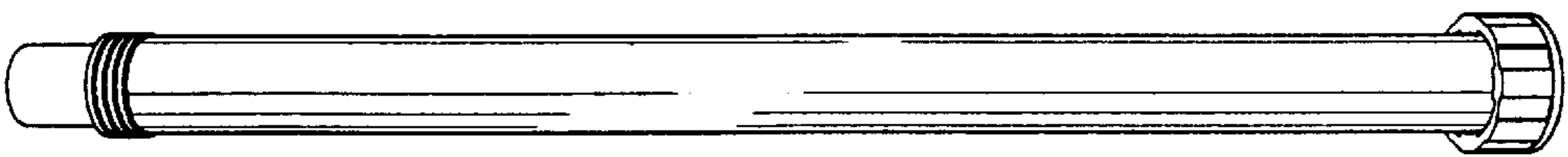
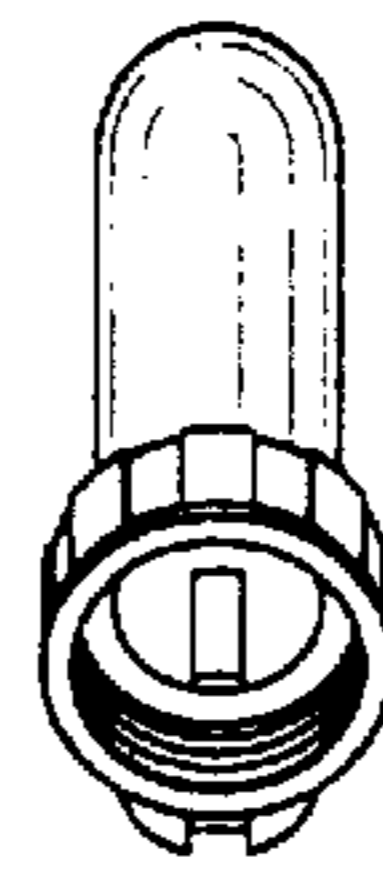


FIG. 6

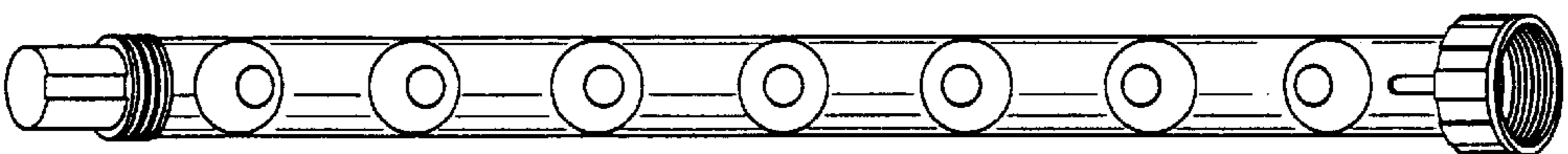


FIG. 7

FIG. 8

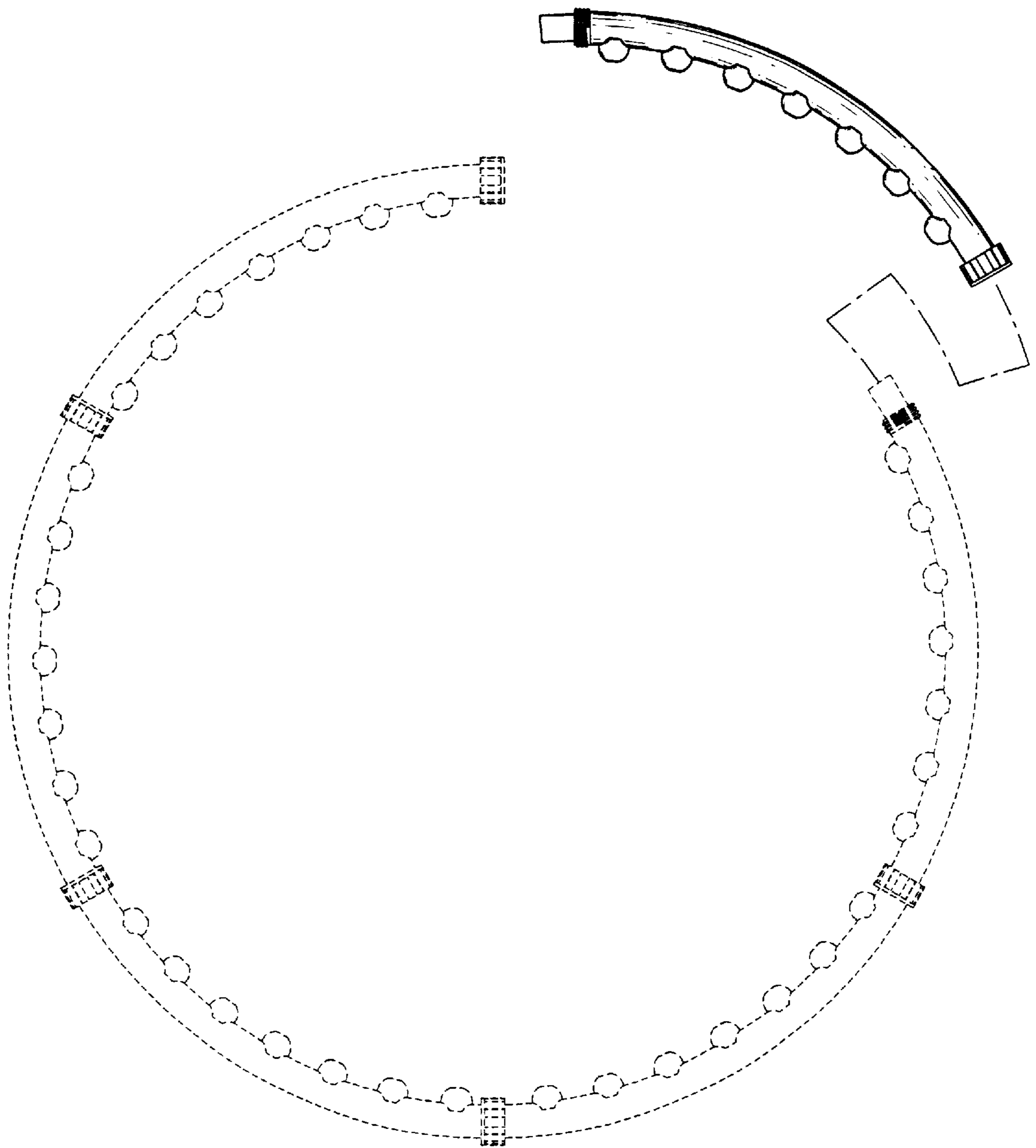


FIG. 9

