



US00D445462S

(12) **United States Design Patent**
Paivanas

(10) **Patent No.:** **US D445,462 S**

(45) **Date of Patent:** **** Jul. 24, 2001**

(54) **TOY AIRPLANE**

3,898,765 * 8/1975 Lee 446/63

(76) Inventor: **Evan Paivanas**, 4350 Tonawanda Creek Rd., Amherst, NY (US) 14051

* cited by examiner

Primary Examiner—Dominic Simone

(**) Term: **14 Years**

(57) **CLAIM**

(21) Appl. No.: **29/132,224**

The ornamental design for a toy airplane, as shown.

(22) Filed: **Nov. 6, 2000**

DESCRIPTION

(51) **LOC (7) Cl.** **21-01**

FIG. 1 is a bottom perspective view of a toy airplane, showing my new design.

(52) **U.S. Cl.** **D21/447**

FIG. 2 is a top plan view of the toy airplane of FIG. 1.

(58) **Field of Search** D21/447, 449, D21/454; 446/34, 63

FIG. 3 is a bottom plan view of the toy airplane of FIG. 1. FIG. 4 is a right side elevational view of the toy airplane of FIG. 1.

(56) **References Cited**

U.S. PATENT DOCUMENTS

D. 119,968	*	4/1940	Smith	D21/447
D. 156,035	*	11/1949	Richardson	D21/454
D. 157,767	*	3/1950	Lindenbaum	D21/449
D. 162,790	*	4/1951	Christman	D21/449
D. 309,164	*	7/1990	Antonucci	D21/449
2,282,764	*	5/1942	Laszzari	446/63
2,315,242	*	3/1943	Briggs et al.	446/63
3,264,777	*	8/1966	McCreary, Jr.	446/63
3,430,620	*	3/1969	Davis	446/63

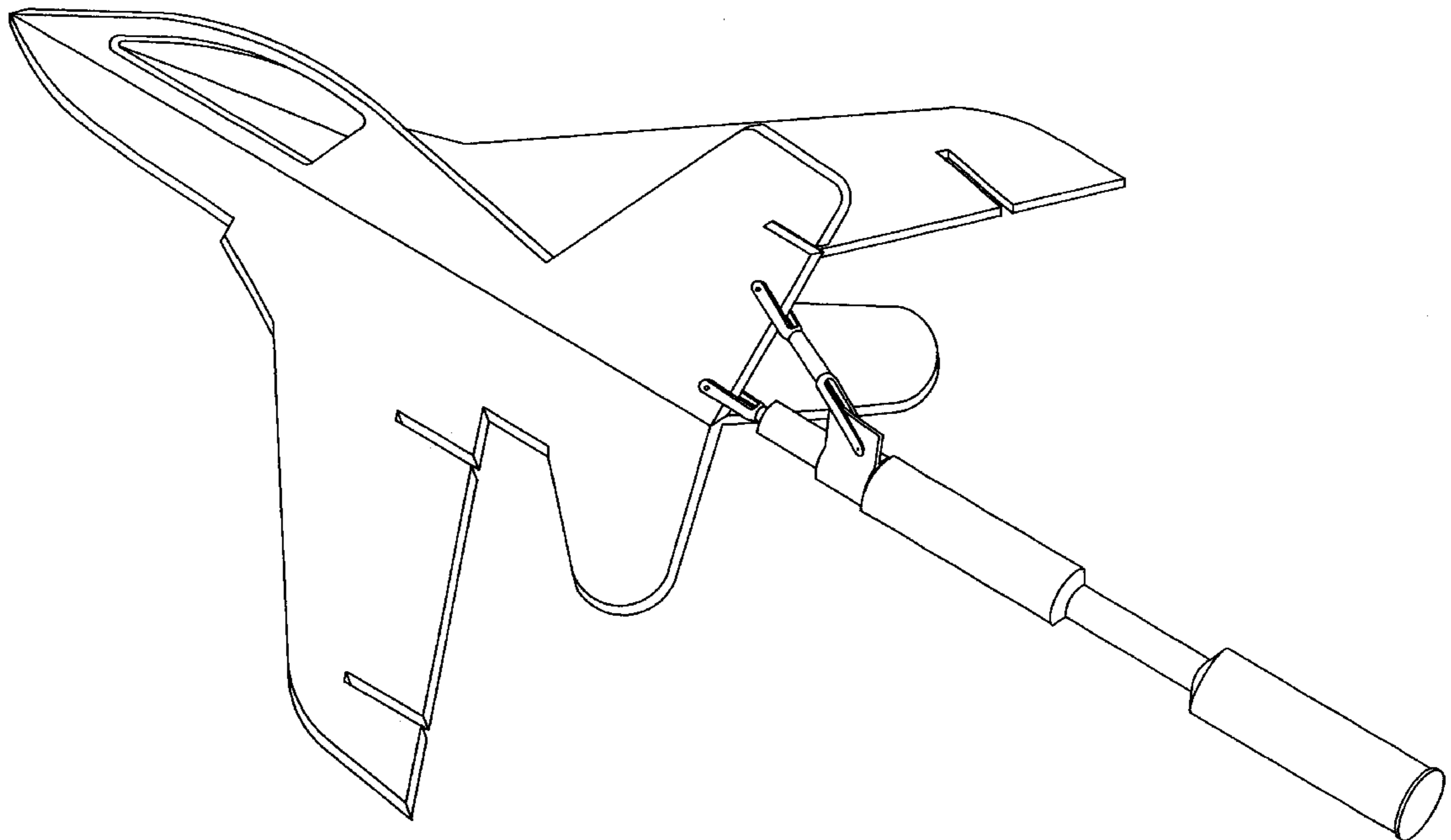
FIG. 5 is a left side elevational view of the toy airplane of FIG. 1.

FIG. 6 is a front elevational view of the toy airplane of FIG. 1.

FIG. 7 is a rear elevational view of the toy airplane of FIG. 1; and,

FIG. 8 is a top perspective view of the toy airplane, of FIG. 1.

1 Claim, 5 Drawing Sheets



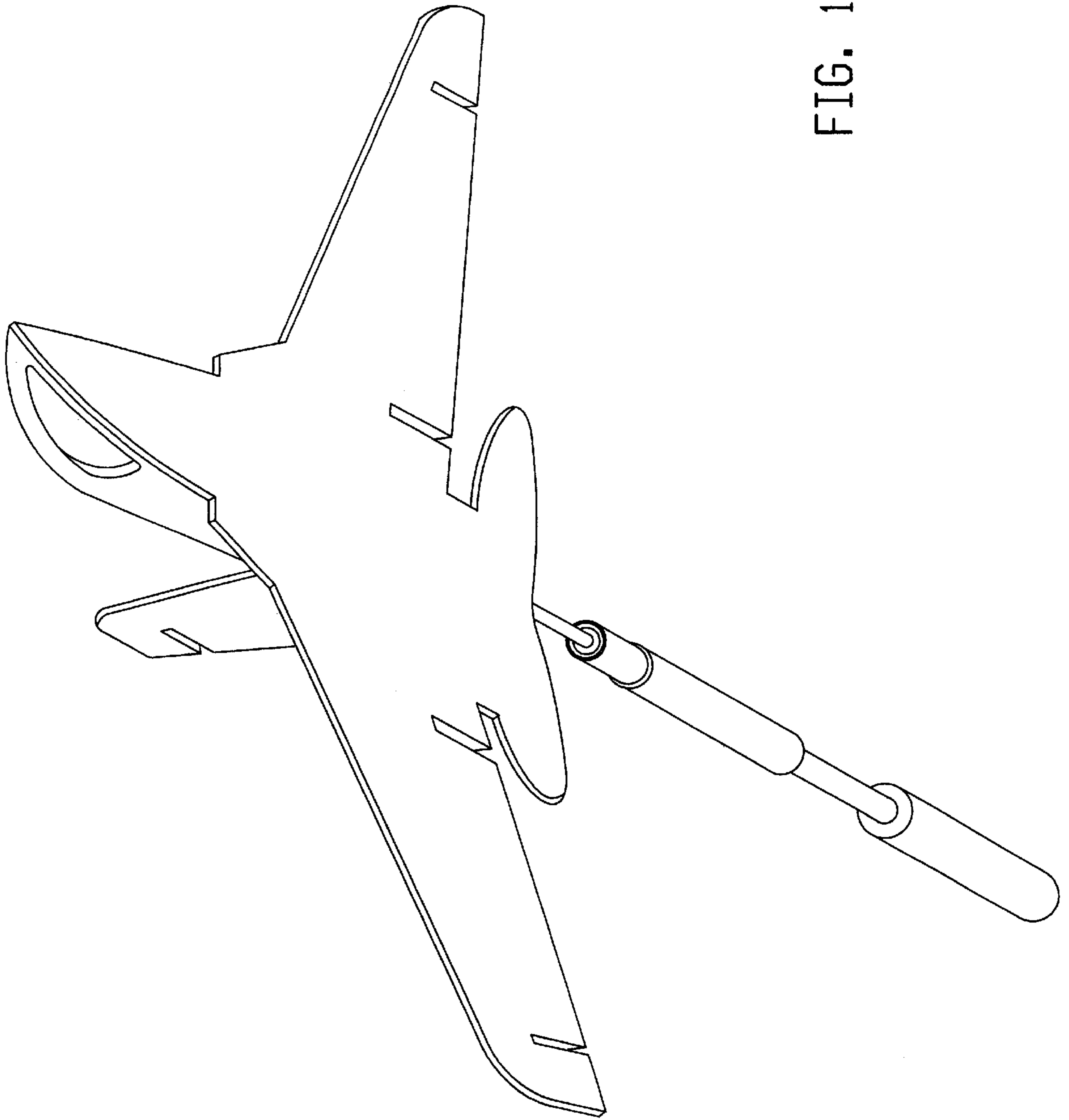


FIG. 1

FIG. 2

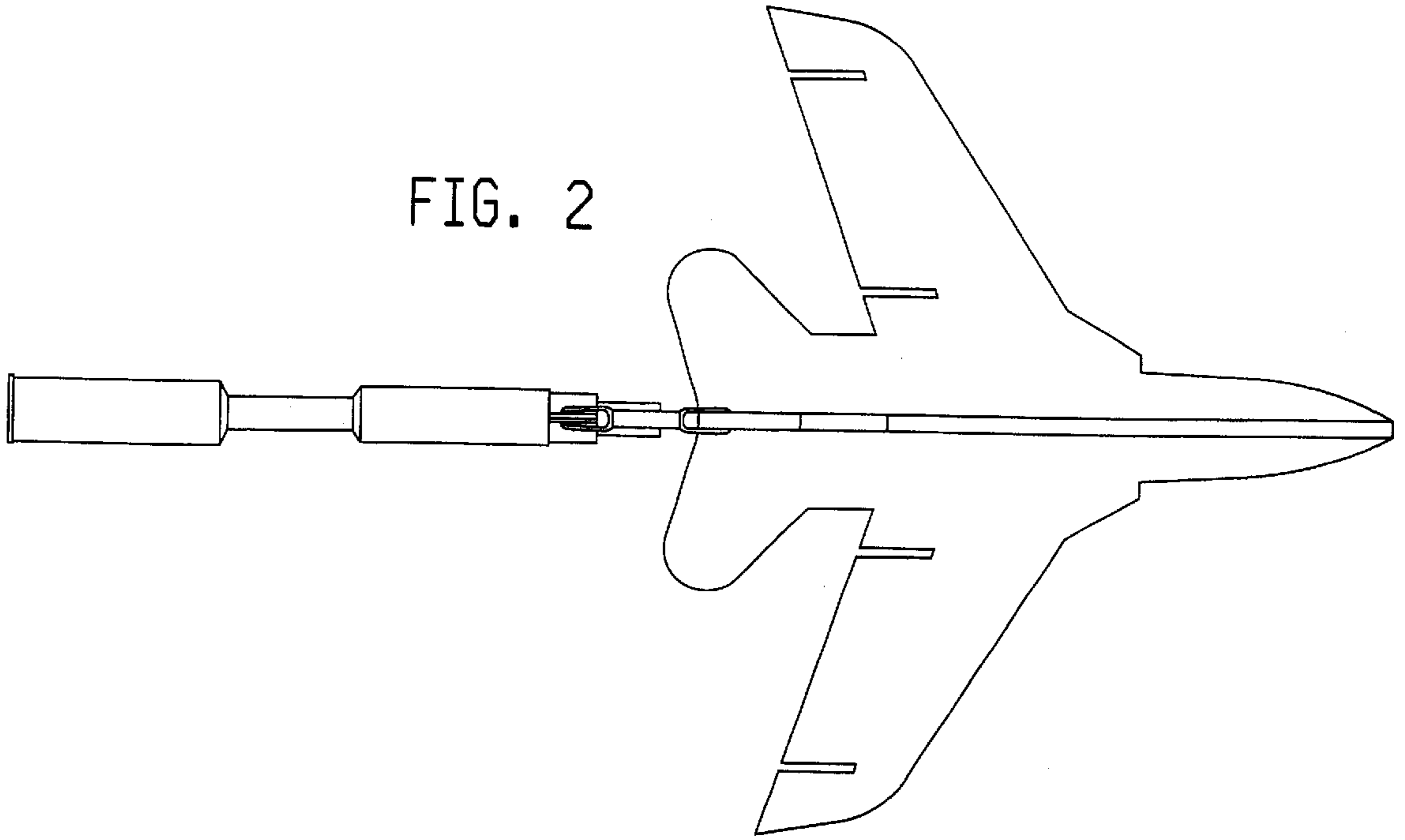


FIG. 3

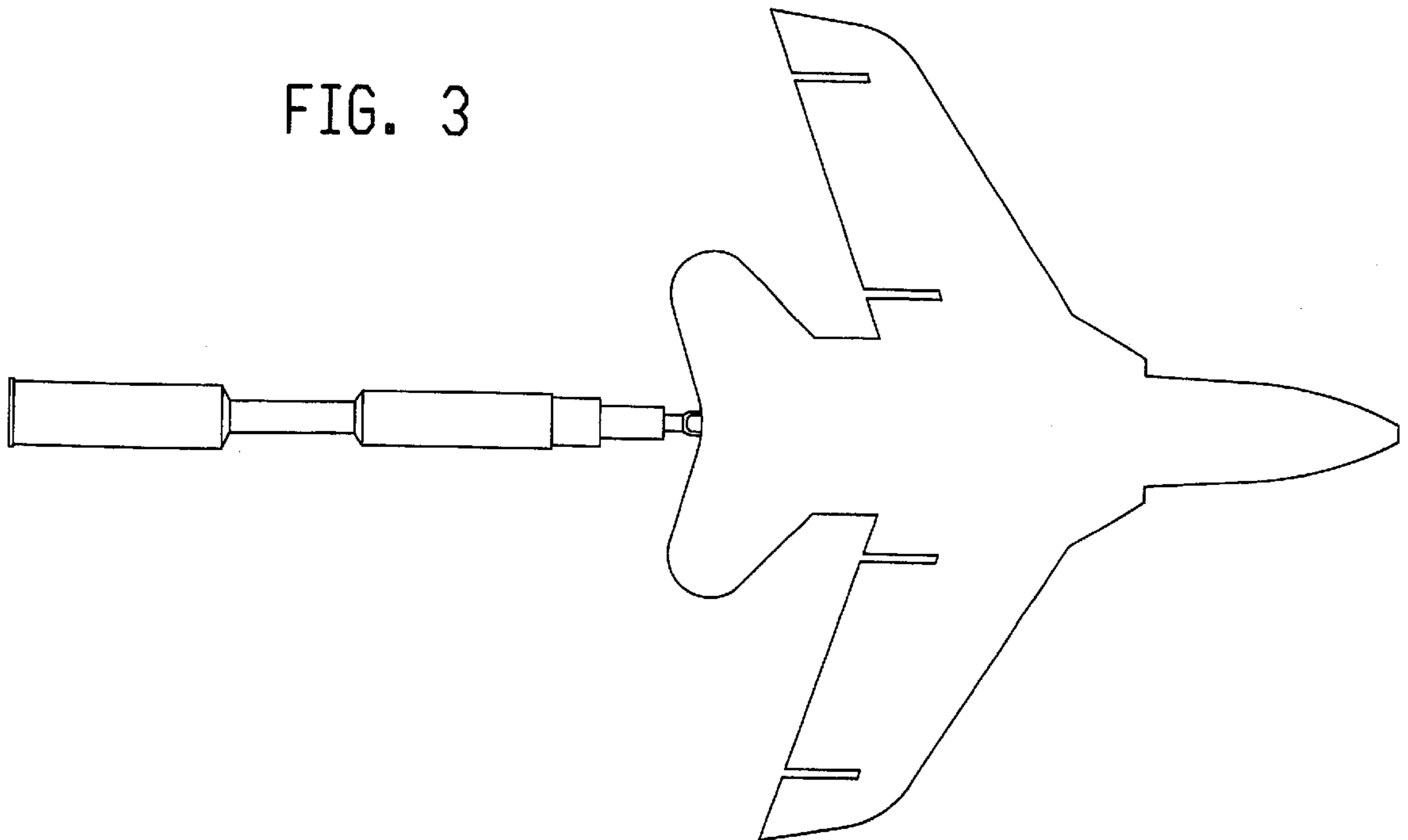


FIG. 4

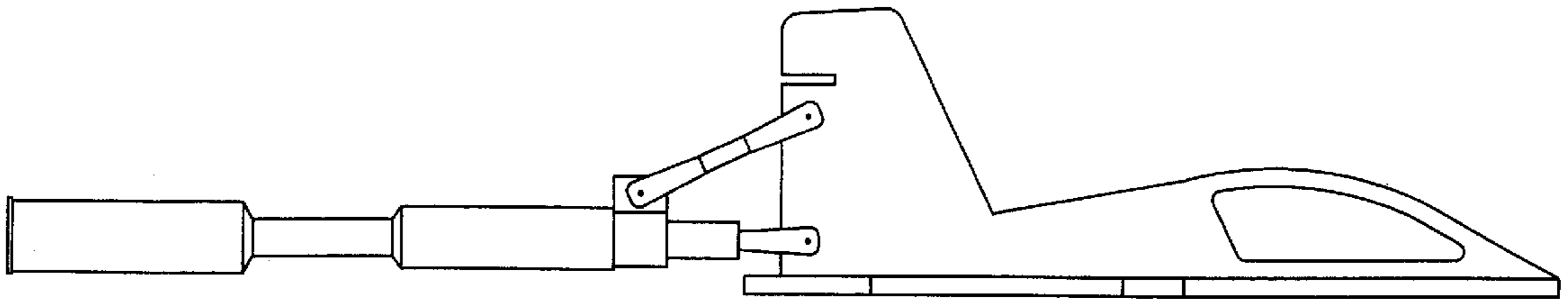


FIG. 5

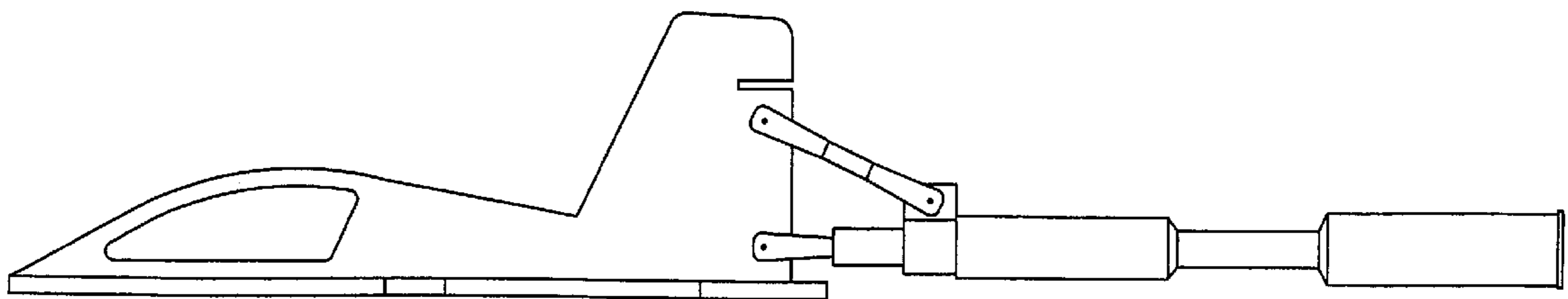


FIG. 6

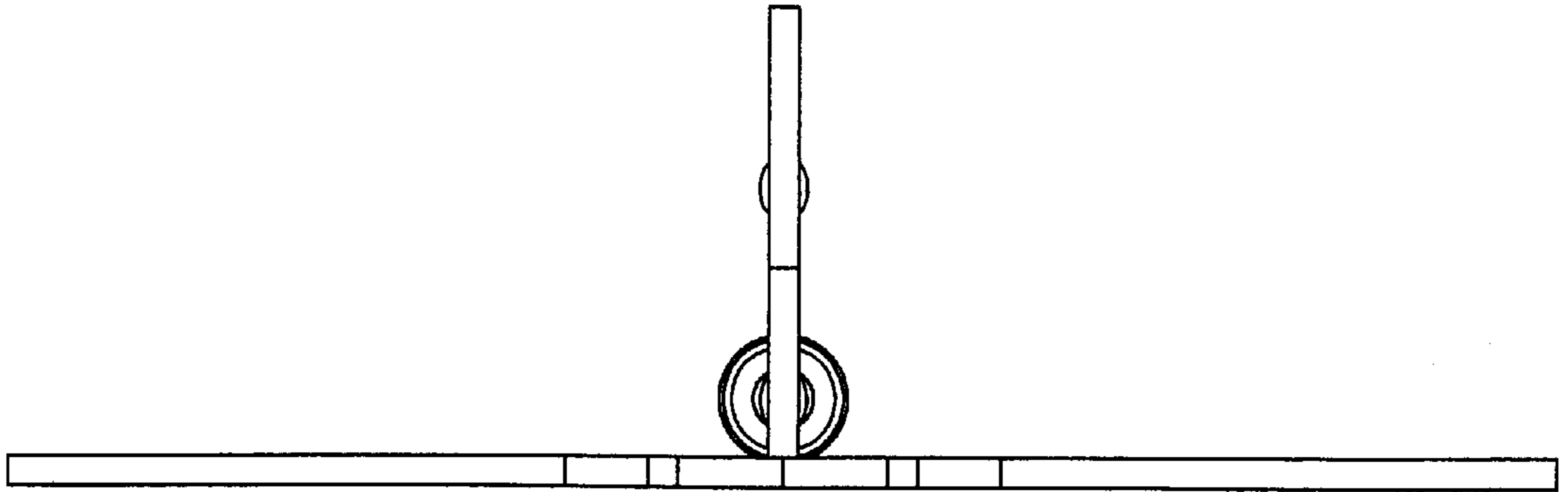
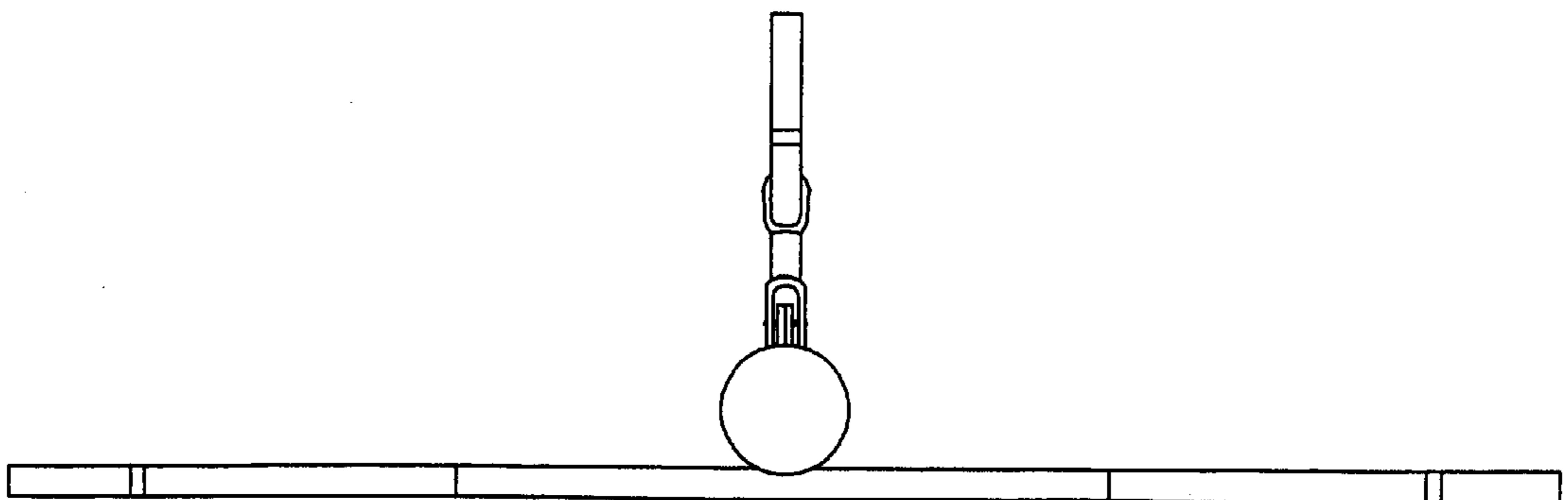


FIG. 7



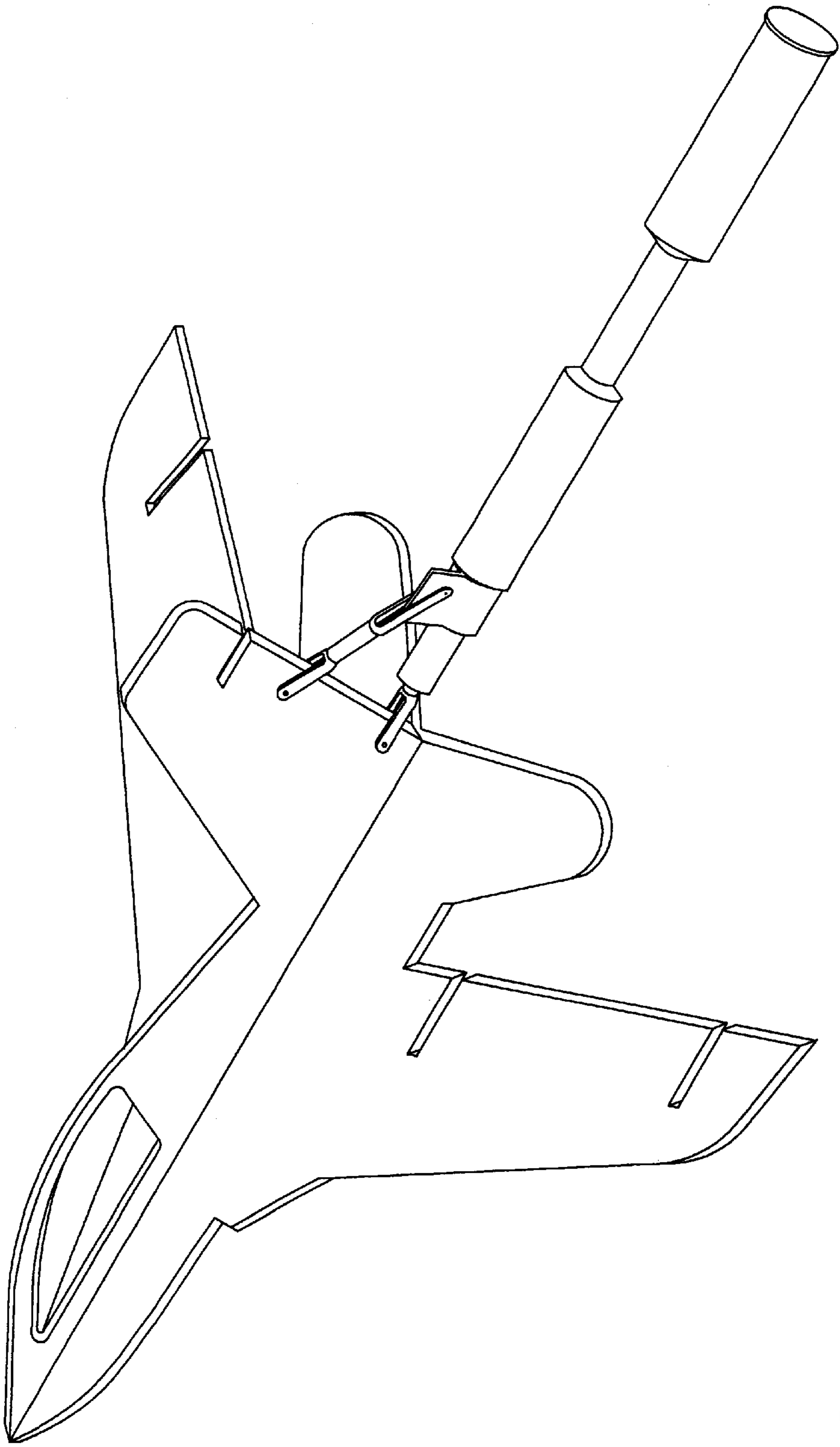


FIG. 8