



US00D445461S

(12) **United States Design Patent**
Vodhanel, Jr.

(10) **Patent No.:** **US D445,461 S**

(45) **Date of Patent:** **** Jul. 24, 2001**

(54) **FLYING DISC**

3,359,678 * 12/1967 Headrick 446/46

(76) **Inventor:** **Joseph J. Vodhanel, Jr.**, 10937 S.
Groveland Ave., Whittier, CA (US)
90603

* cited by examiner

Primary Examiner—Dominic Simone

(**) **Term:** **14 Years**

(57) **CLAIM**

The ornamental design for a flying disc, as shown and described.

(21) **Appl. No.:** **29/136,950**

(22) **Filed:** **Feb. 9, 2001**

DESCRIPTION

(51) **LOC (7) Cl.** **21-01**

(52) **U.S. Cl.** **D21/443**

(58) **Field of Search** D21/443; 473/588,
473/589; 446/46

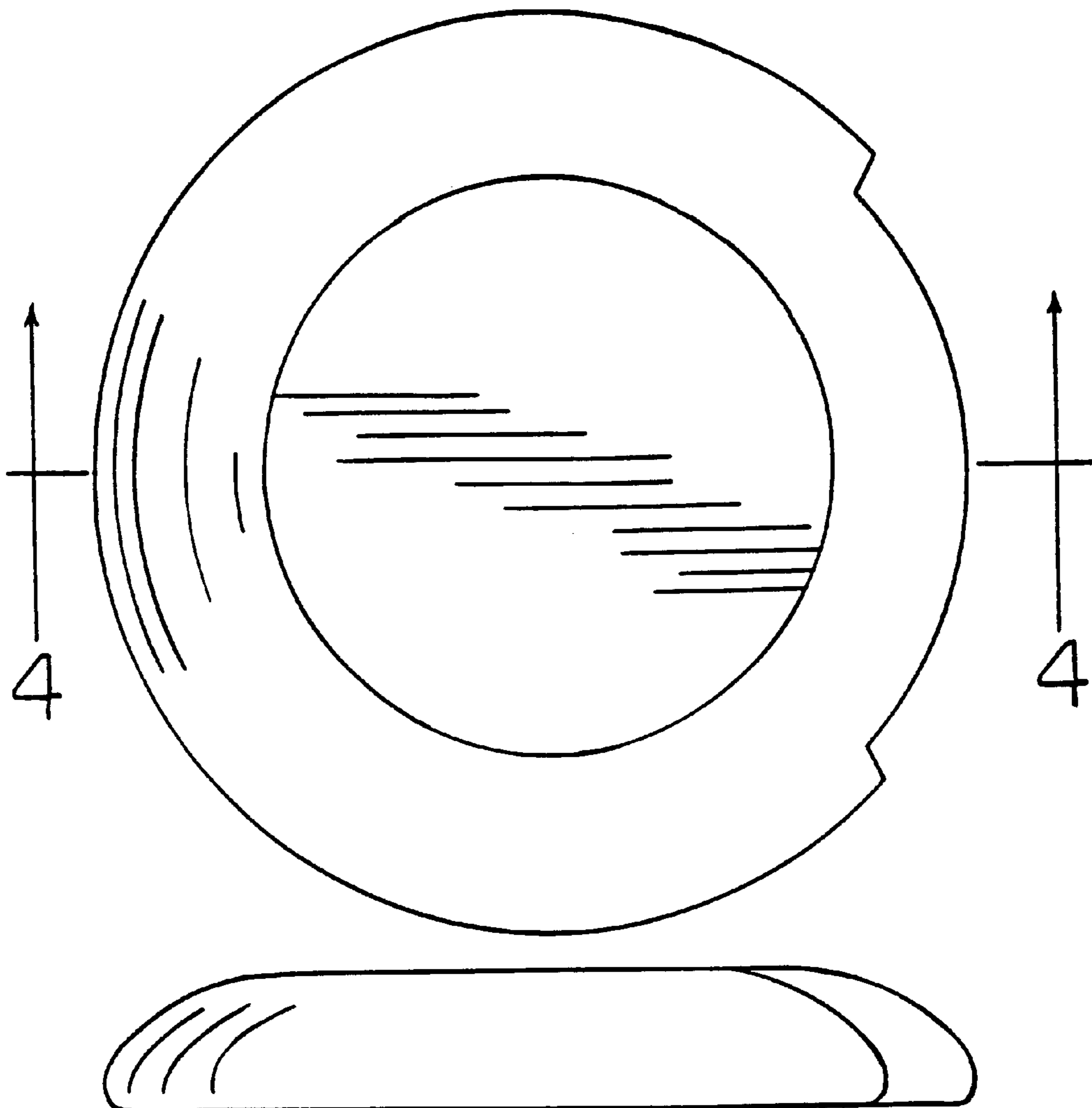
FIG. 1 is a top plan view of a flying disc showing my design;
FIG. 2 is a front elevational view thereof;
FIG. 3 is a bottom plan thereof;
FIG. 4 is a cross sectional view taken along line 4—4 of FIG. 1 thereof;
FIG. 5 is a top perspective view thereof;
FIG. 6 is a rear elevational view thereof;
FIG. 7 is a left side elevational view thereof; and,
FIG. 8 is a right side elevational view thereof.

(56) **References Cited**

U.S. PATENT DOCUMENTS

- D. 272,751 * 2/1984 Brackmann D21/443
- D. 387,817 * 12/1997 Noyes D21/443
- D. 412,724 * 8/1999 Raundahl D21/443

1 Claim, 3 Drawing Sheets



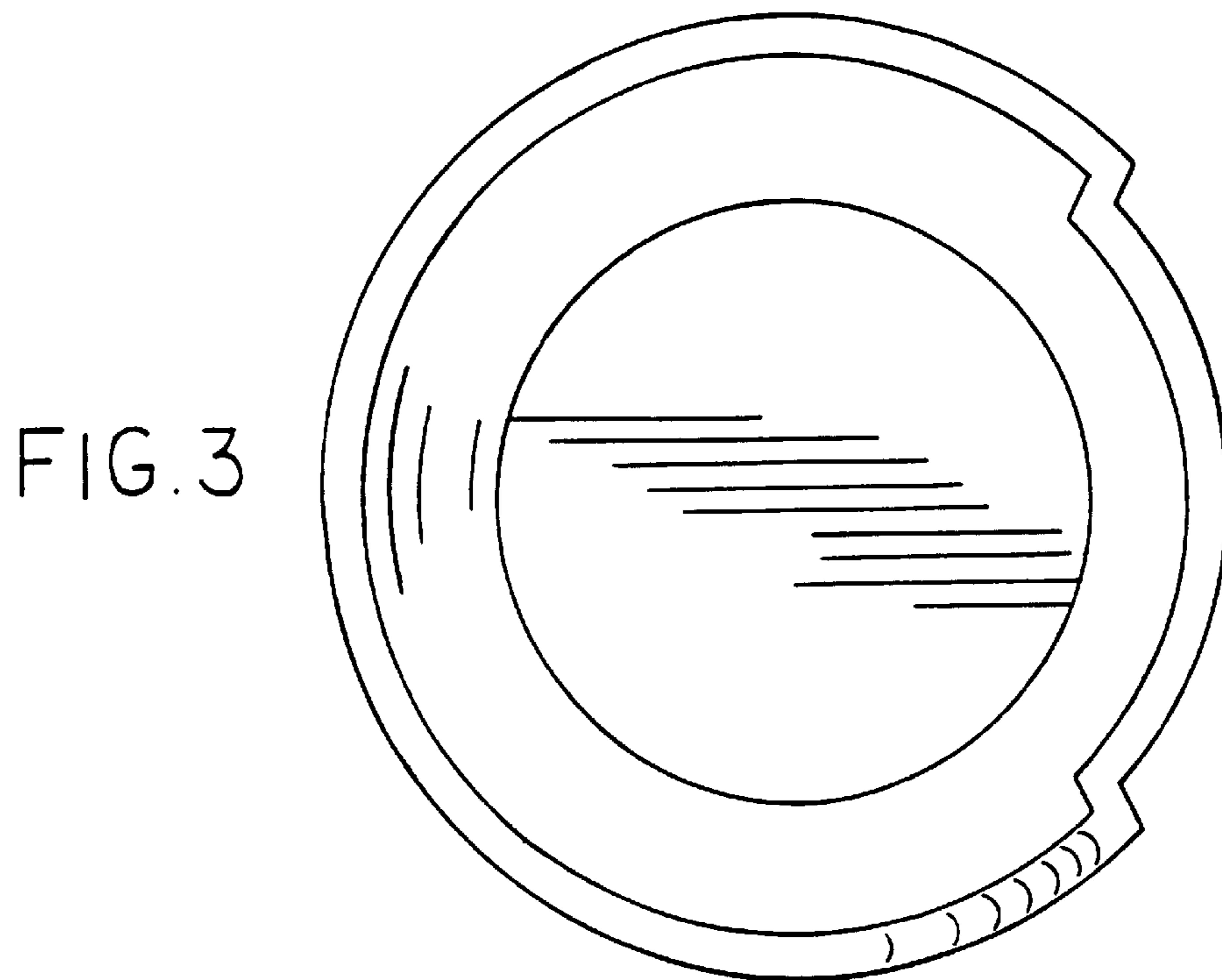
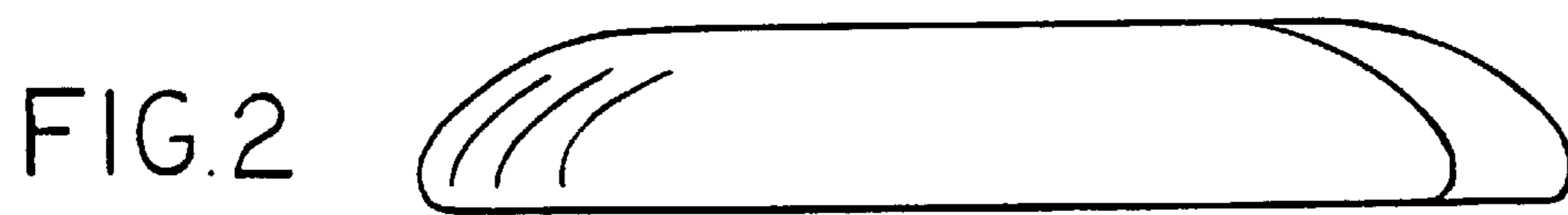
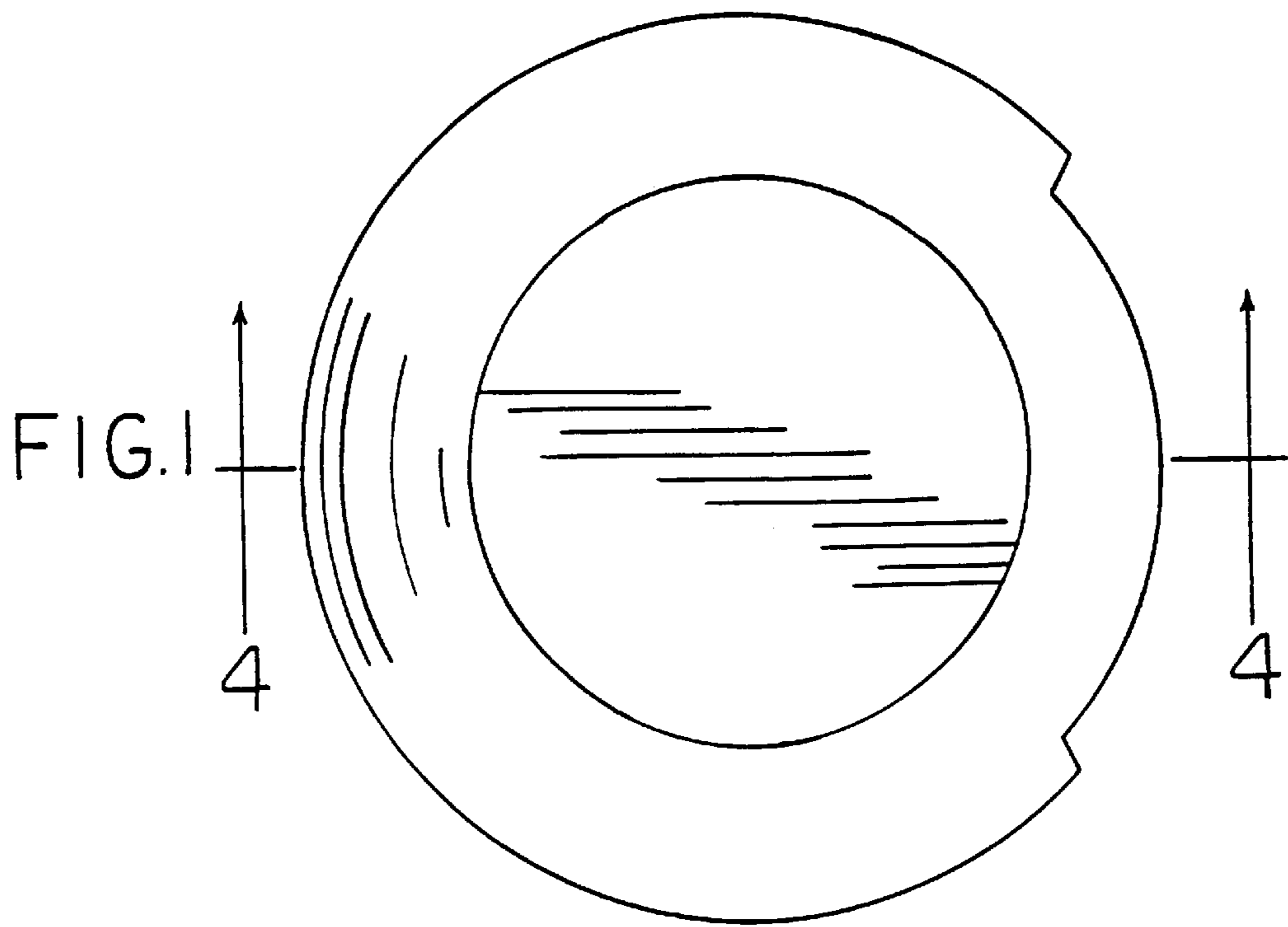


FIG. 4

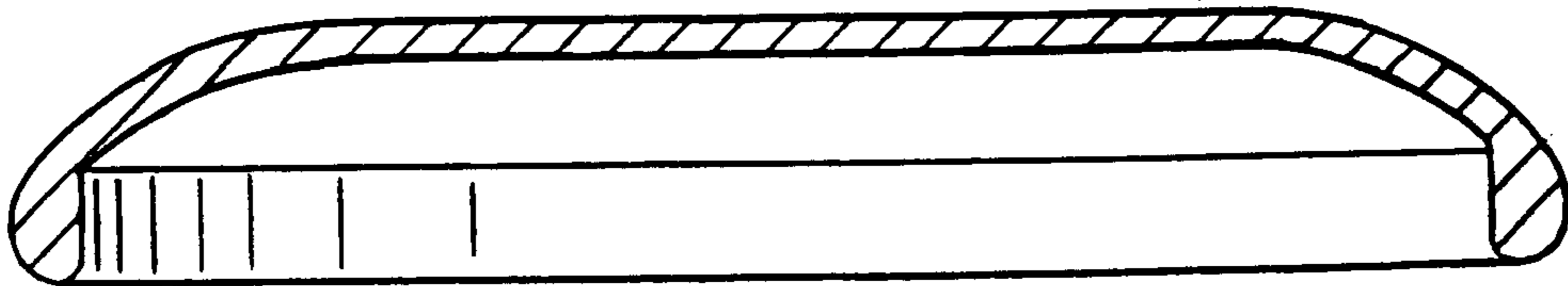
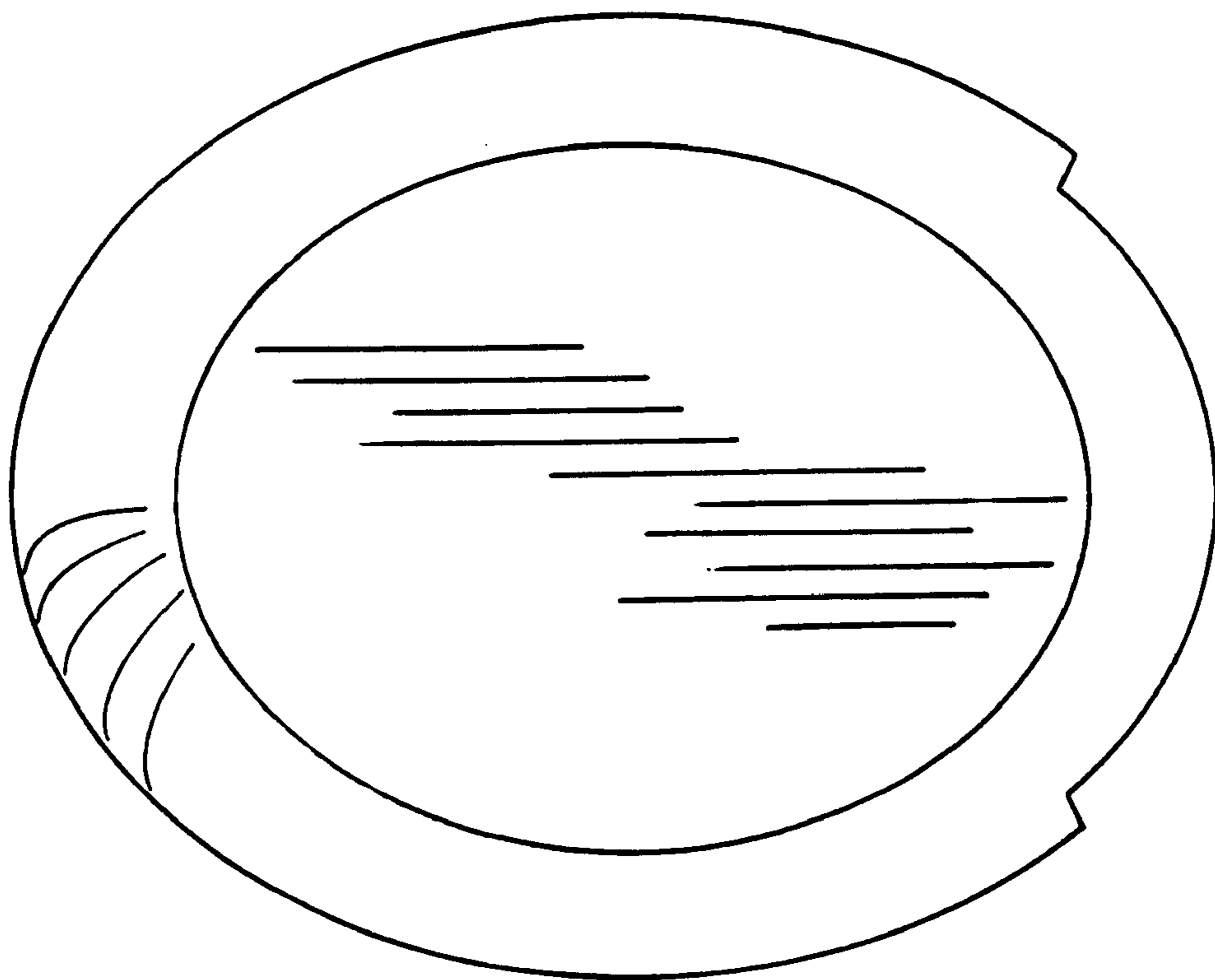


FIG. 5



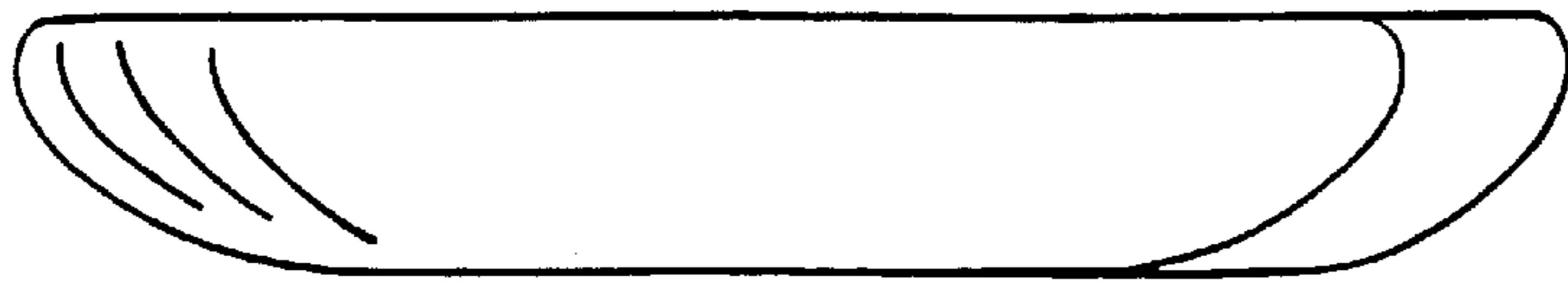


FIG. 6

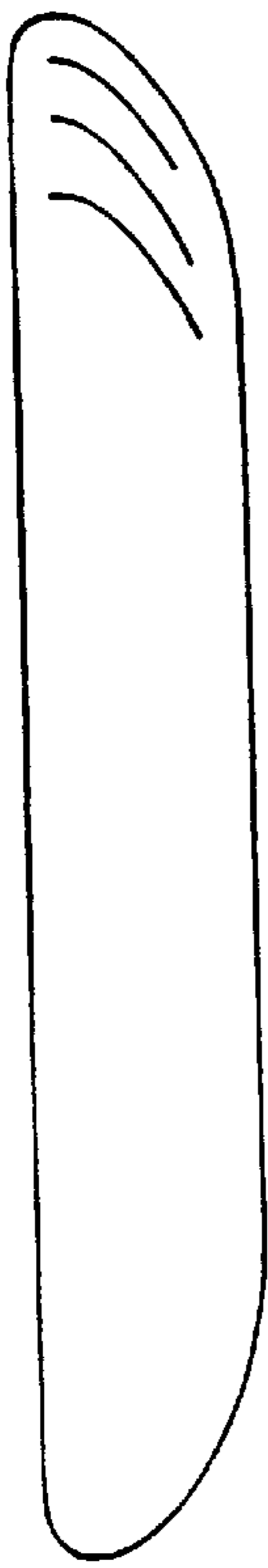


FIG. 7

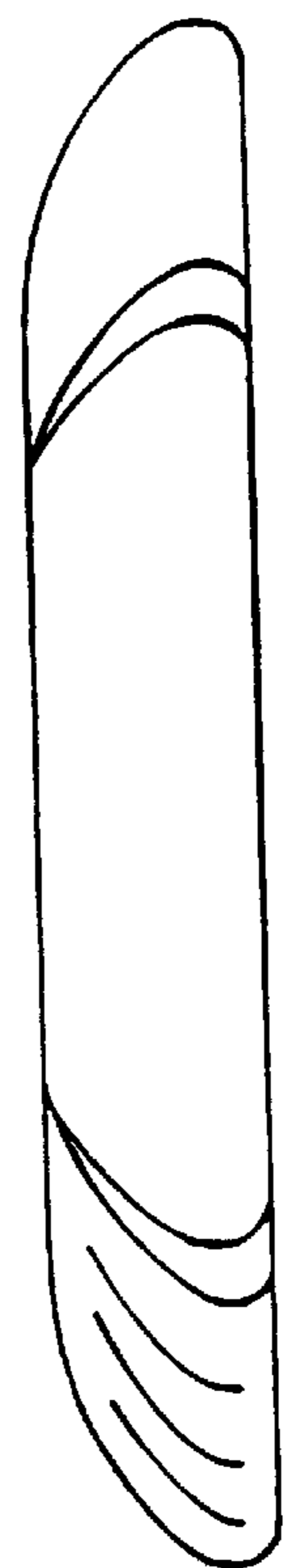


FIG. 8