



US00D445457S

(12) **United States Design Patent**
Brumby

(10) **Patent No.:** **US D445,457 S**

(45) **Date of Patent:** **** Jul. 24, 2001**

(54) **MUSIC PAGE HOLDER**

(76) **Inventor:** **William C Brumby**, 2545 Clematis St.,
Sarasota, FL (US) 34239

(**) **Term:** **14 Years**

(21) **Appl. No.:** **29/113,927**

(22) **Filed:** **Nov. 15, 1999**

(51) **LOC (7) Cl.** **19-06**

(52) **U.S. Cl.** **D19/91; D6/312; D19/90**

(58) **Field of Search** **D6/566, 418, 419,**
D6/420, 466, 300-312; D19/75, 78, 86,
90, 91, 99, 100; 248/441.1, 434, 443, 446,
460, 447, 448, 450, 451, 453, 165, 166;
211/182, 195

(56) **References Cited**

U.S. PATENT DOCUMENTS

- D. 303,045 * 8/1989 Kramer D6/311
- D. 344,637 * 3/1994 Brown D6/310

- D. 367,767 * 3/1996 Rhodes D6/312
- 1,200,744 * 10/1916 Marjoram 248/443
- 1,299,374 * 4/1919 Miller et al. 248/443
- 4,448,384 * 5/1984 Jones, Jr. et al. 248/443
- 4,684,091 * 8/1987 Moreschi 248/166

* cited by examiner

Primary Examiner—Martie K. Holtje

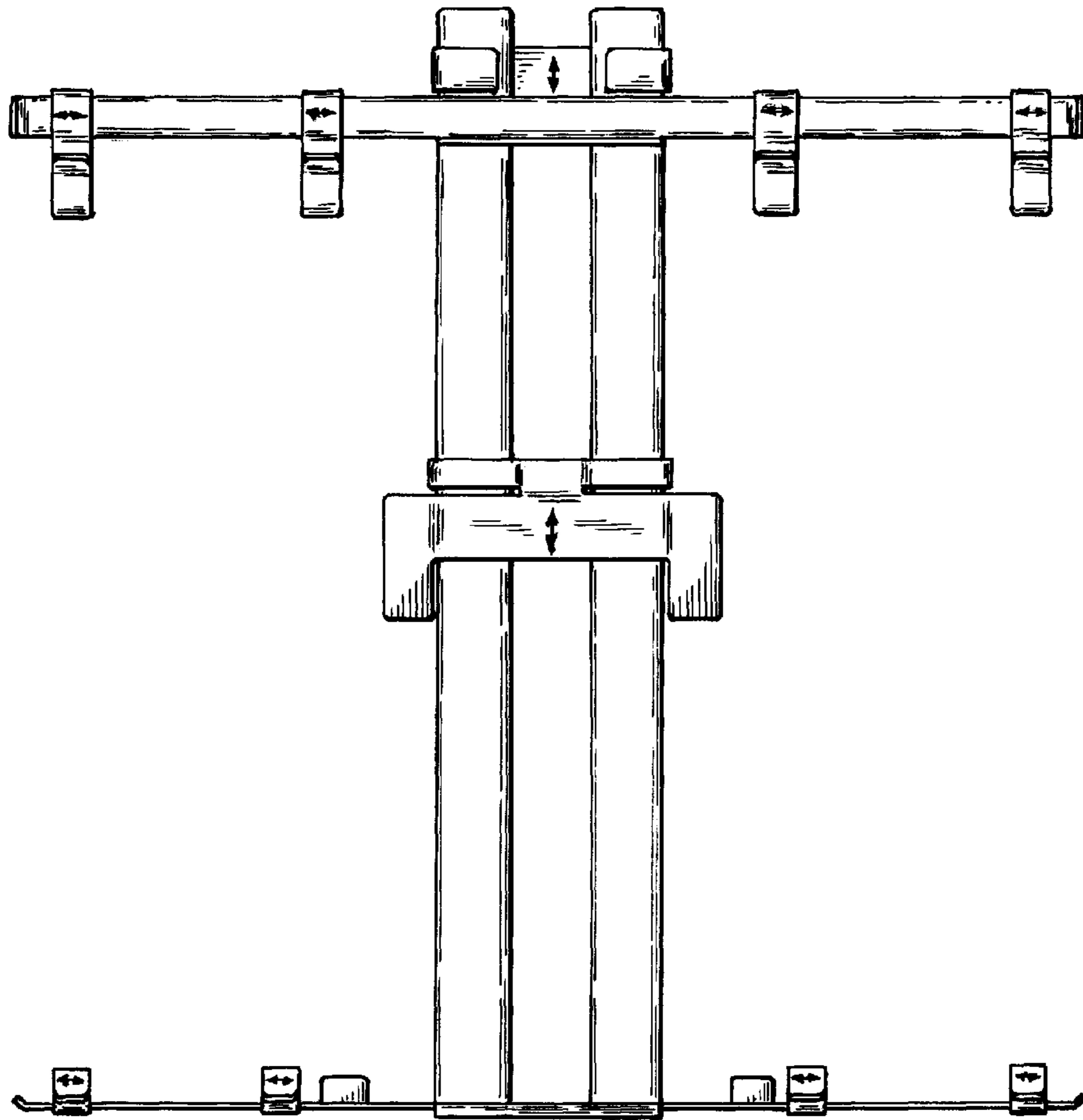
(57) **CLAIM**

The ornamental design for a music page holder, as shown.

DESCRIPTION

FIG. 1 is a front view of a music page holder showing my new design;
 FIG. 2 is a top view thereof;
 FIG. 3 is a bottom view thereof;
 FIG. 4 is a rear view thereof;
 FIG. 5 is a right side view thereof; and,
 FIG. 6 is a left side view.

1 Claim, 2 Drawing Sheets



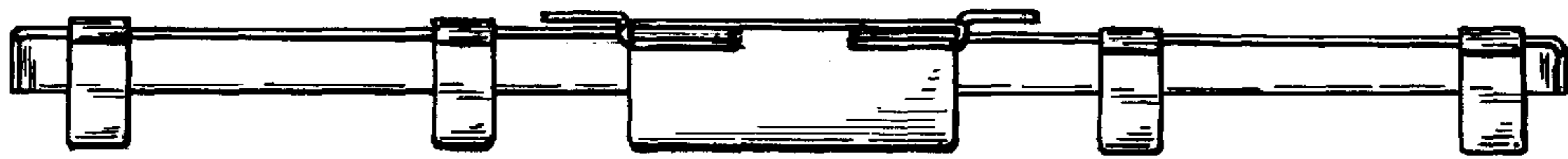


FIG. 2

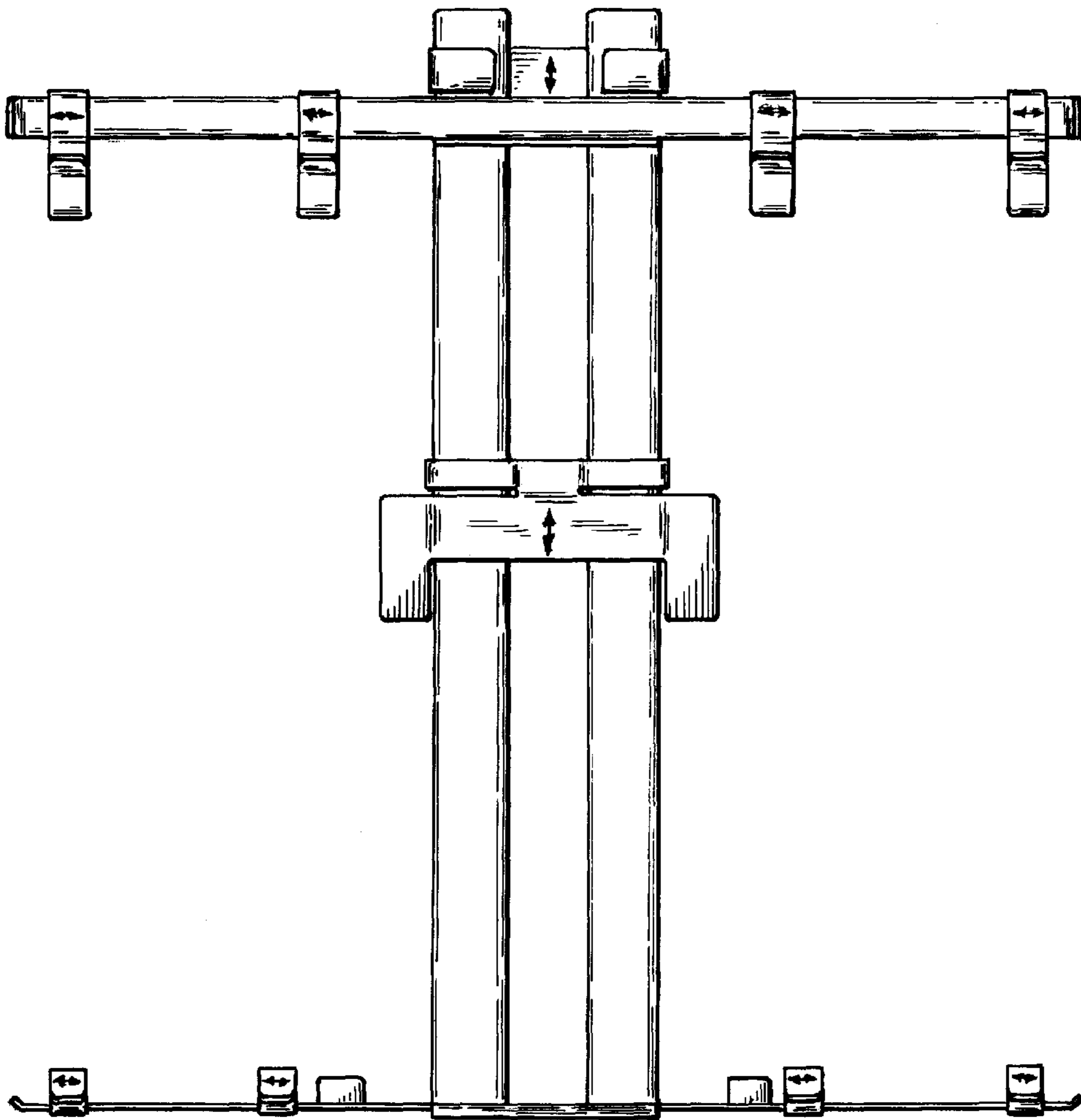


FIG. 1

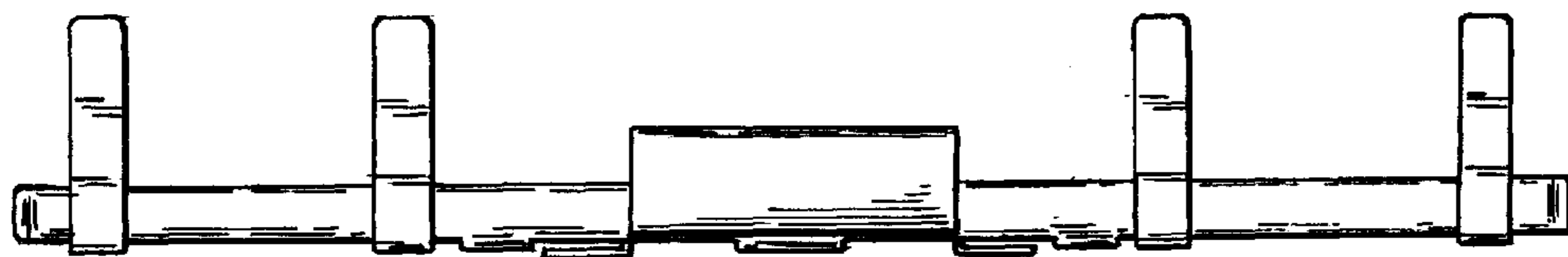


FIG. 3

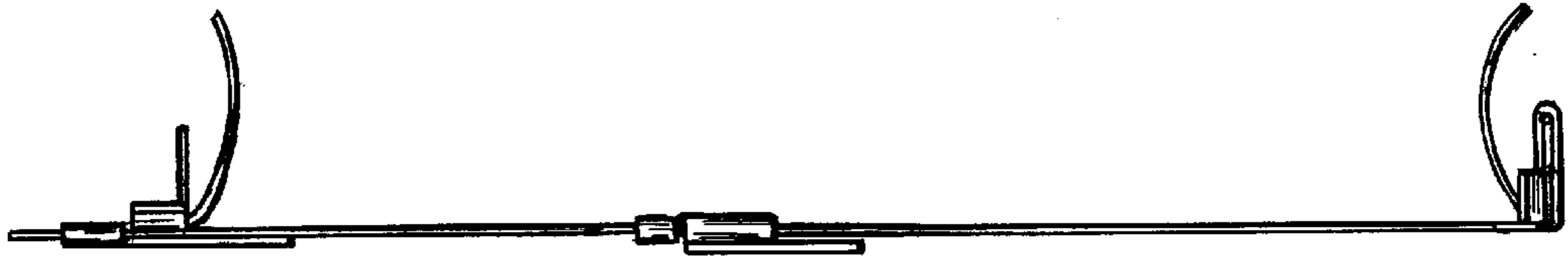


FIG. 5

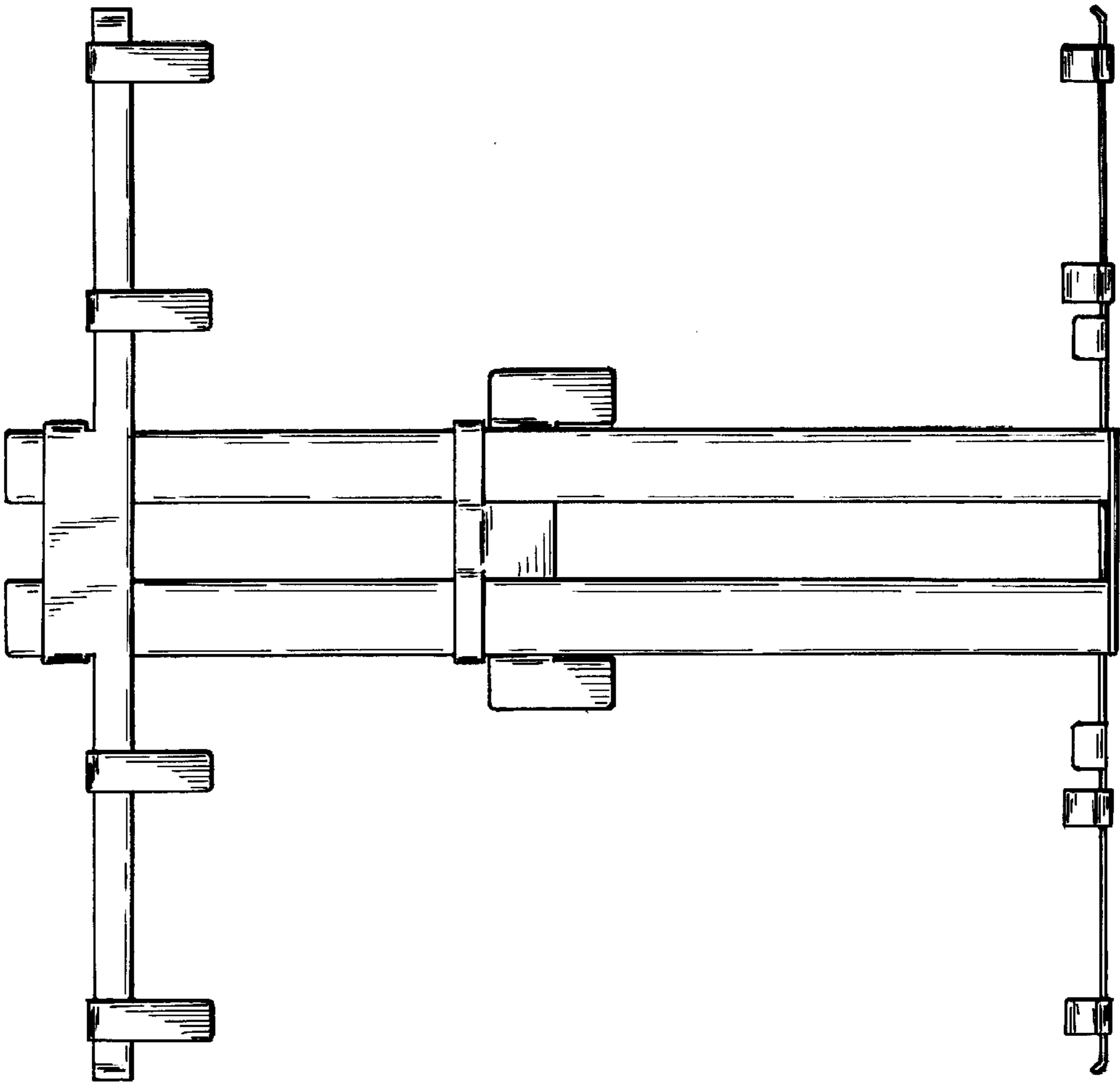


FIG. 4

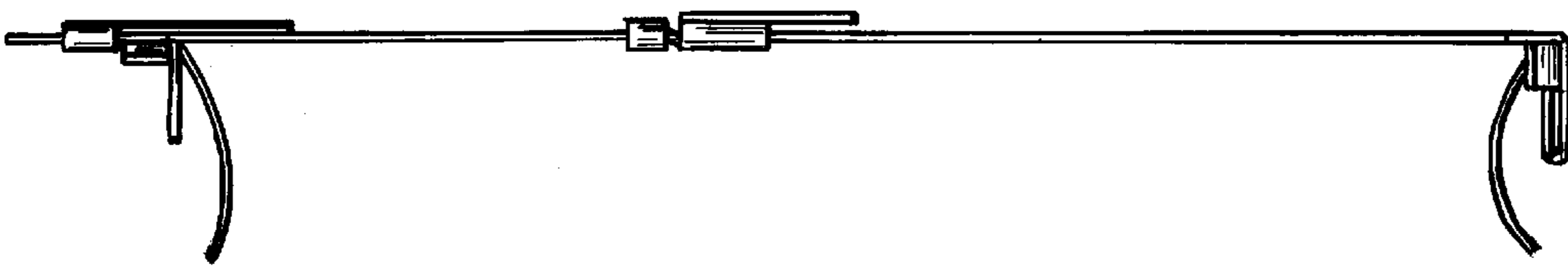


FIG. 6