



US00D445456S

(12) **United States Design Patent**  
**Saylor et al.**

(10) **Patent No.:** **US D445,456 S**

(45) **Date of Patent:** **\*\* Jul. 24, 2001**

(54) **SUPPORT RAIL ASSEMBLY FOR OFFICE ACCESSORIES**

(75) Inventors: **Charles Saylor**, Grand Rapids, MI (US); **Sheldon Phillips**, Thousand Oaks; **Edward Mitchell**, Los Angeles, both of CA (US)

(73) Assignee: **Haworth, Inc.**, Holland, MI (US)

(\*\*) Term: **14 Years**

(21) Appl. No.: **29/104,255**

(22) Filed: **Apr. 30, 1999**

(51) **LOC (7) Cl.** ..... **19-02**

(52) **U.S. Cl.** ..... **D19/75; D19/99; D6/491**

(58) **Field of Search** ..... D19/65, 75, 90, D19/95, 99, 100; D6/418, 469, 491, 553; 211/11, 45, 88.01, 94.01, 70.6; 108/44, 49, 143, 50.11, 50.01, 50.02; 248/188.1, 200, 225.1; 312/195

(56) **References Cited**

**U.S. PATENT DOCUMENTS**

- D. 239,896 \* 5/1976 Bortcher ..... D6/469 X
- D. 333,489 2/1993 Stern et al. .
- D. 372,390 \* 8/1996 Lloyd-Morris et al. .... D6/553
- 401,553 4/1889 Godfrey .
- D. 423,828 \* 5/2000 Wilkinson ..... D6/491
- 1,039,554 9/1912 Lindhorst .
- 1,830,347 11/1931 Camden et al. .
- 2,551,157 5/1951 Price .
- 2,979,155 4/1961 Scharfenberger .
- 4,126,230 11/1978 Tyson et al. .
- 4,317,416 3/1982 Baum et al. .
- 4,323,291 4/1982 Ball .
- 4,709,891 12/1987 Barnett .
- 4,852,500 8/1989 Ryburg et al. .
- 4,869,378 9/1989 Miller .
- 4,879,955 11/1989 Moll et al. .
- 4,884,513 12/1989 Newhouse et al. .
- 4,899,971 2/1990 Elkin .
- 4,938,442 7/1990 Mastrodicasa .
- 4,948,205 8/1990 Kelley .
- 4,974,913 12/1990 Vogt et al. .

- 4,993,785 2/1991 Dunand .
- 5,048,698 9/1991 Konrad .
- 5,057,039 10/1991 Persing et al. .
- 5,103,741 4/1992 Grund et al. .
- 5,121,698 6/1992 Kelley .
- 5,154,126 10/1992 Newhouse et al. .
- 5,186,425 \* 2/1993 Keusch et al. .... 248/188.1
- 5,392,934 \* 2/1995 Fox ..... 211/94.01
- 5,429,252 7/1995 Liu .
- 5,486,042 1/1996 Heisler et al. .
- 5,687,856 \* 11/1997 Kendrena ..... 211/70.6
- 5,775,521 \* 7/1998 Tisbo ..... 211/11
- 5,873,311 2/1999 Schlattl .
- 5,911,178 \* 6/1999 Alexander ..... 108/50.11
- 5,937,766 8/1999 Denny .

**FOREIGN PATENT DOCUMENTS**

- 680414 8/1992 (CH) .
- 86 29 967 2/1987 (DE) .

\* cited by examiner

*Primary Examiner*—Martie K. Holtje

(74) *Attorney, Agent, or Firm*—Flynn, Thiel, Boutell & Tanis, P.C.

(57) **CLAIM**

The ornamental design of a support rail assembly for office accessories, as shown and described.

**DESCRIPTION**

FIG. 1 is a front perspective view of a first embodiment of the support rail assembly for office accessories embodying our design, the rear edge portion of a worksurface and a support structure being shown in dotted lines as environment and forming no part of the claimed design;

FIG. 2 is a top view thereof;

FIG. 3 is a bottom view thereof;

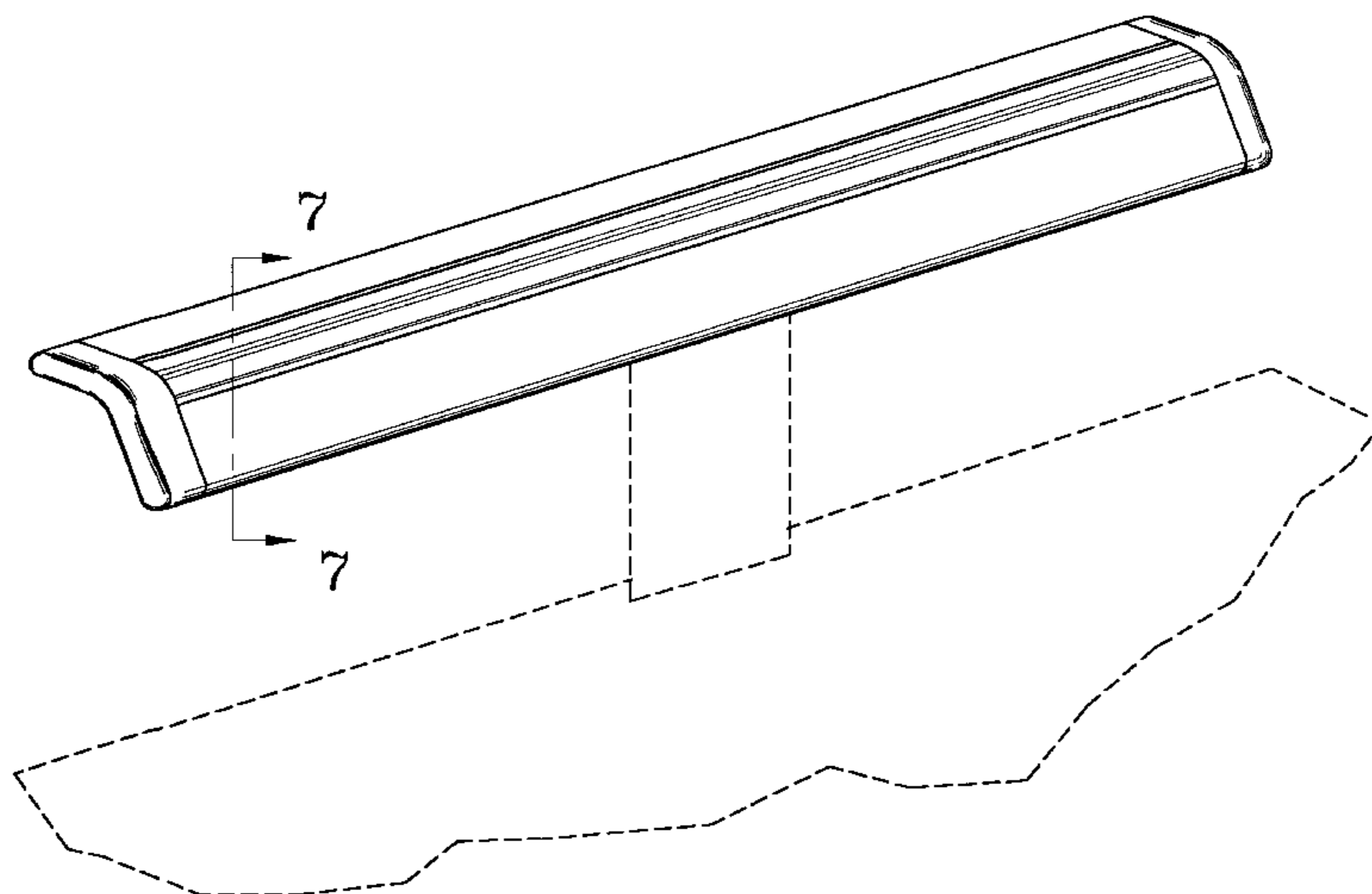
FIG. 4 is a left side view thereof, the right side view being a mirror image thereof;

FIG. 5 is a front view thereof;

FIG. 6 is a rear view thereof; and,

FIG. 7 is an enlarged cross-sectional view taken generally along line 7—7 in FIG. 1.

**1 Claim, 3 Drawing Sheets**



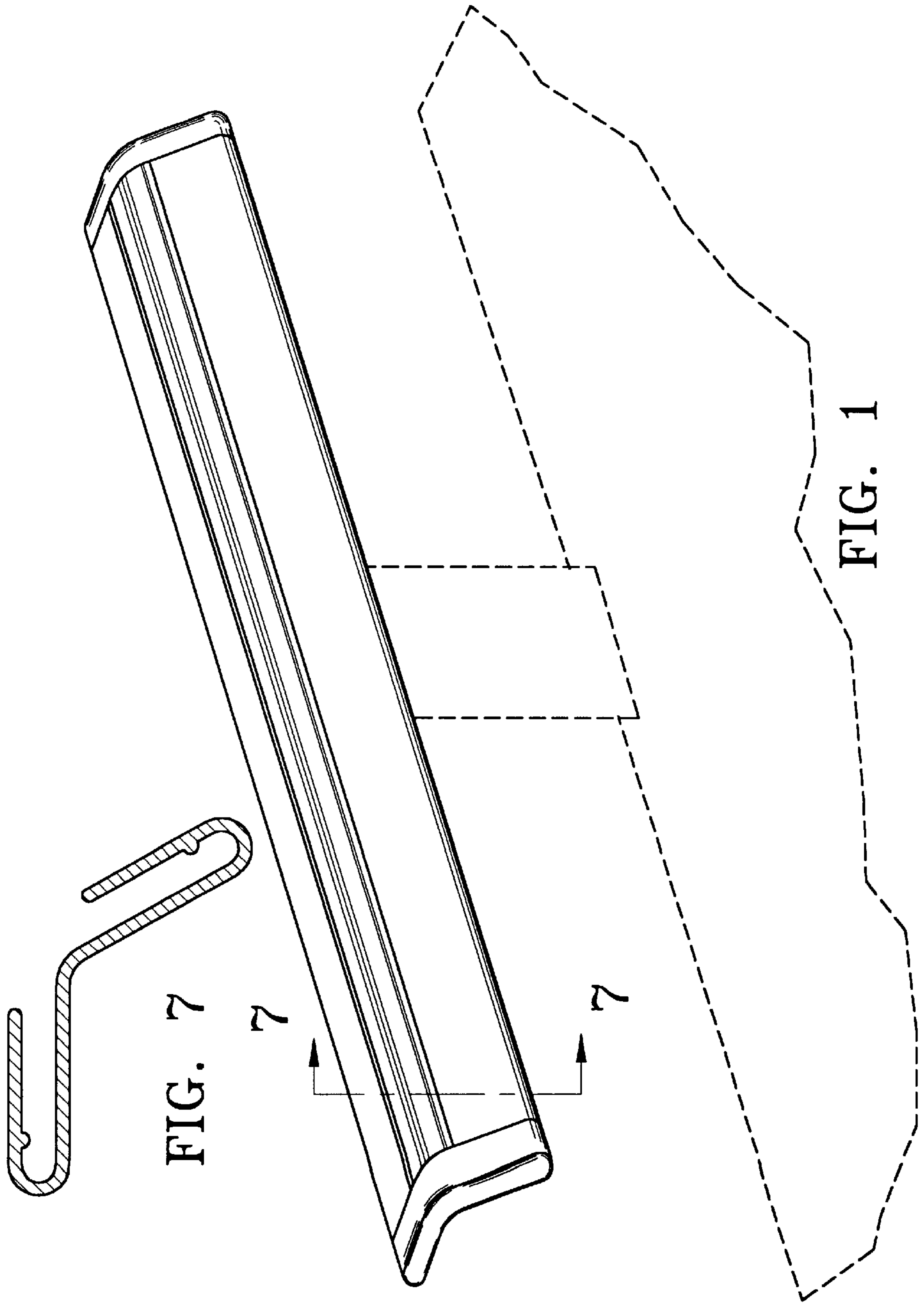


FIG. 7

FIG. 1

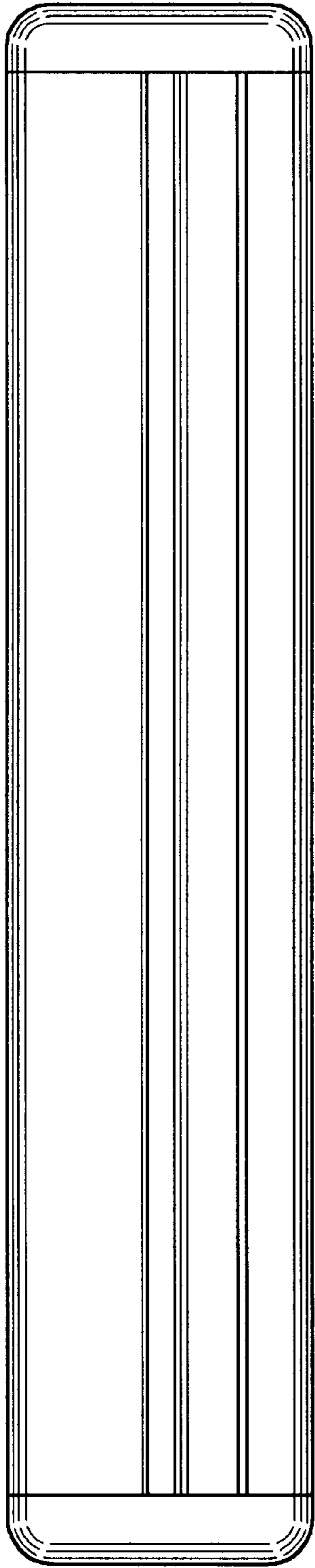


FIG. 2

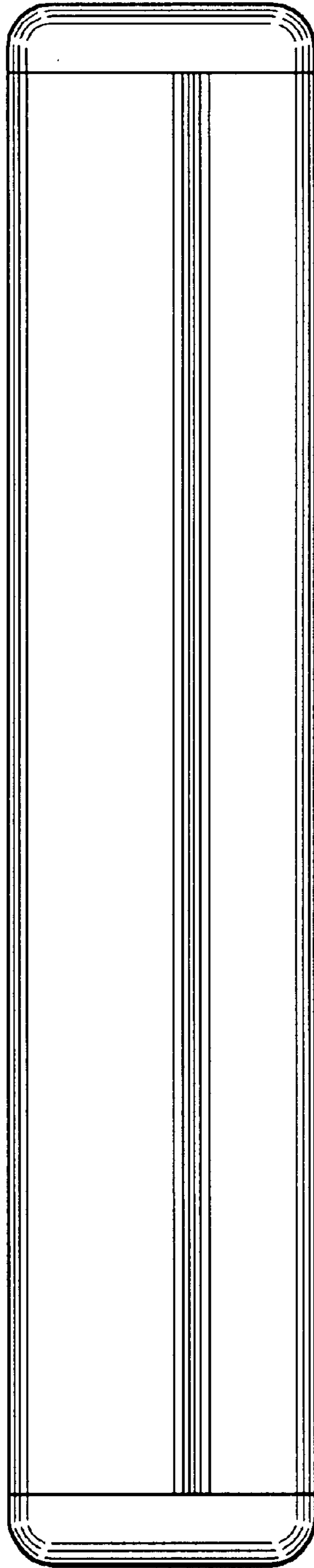


FIG. 3

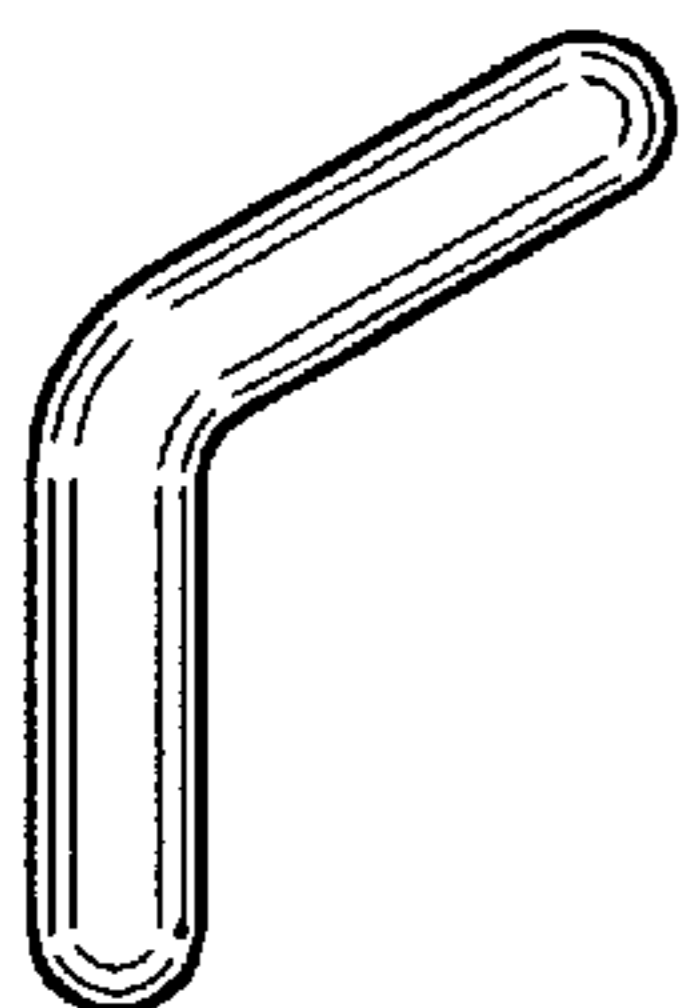


FIG. 4

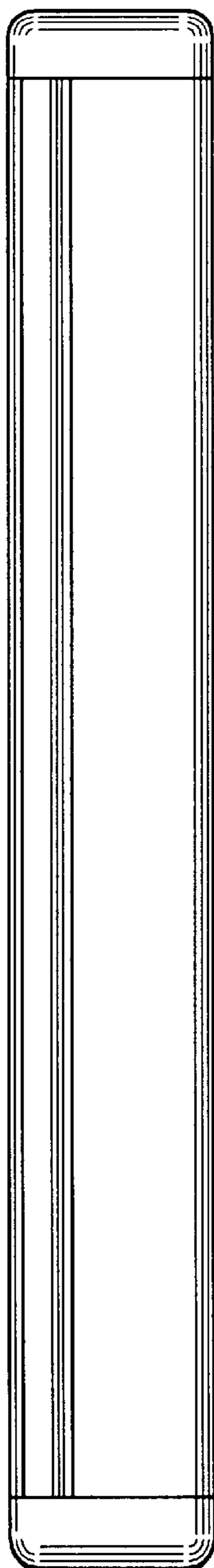


FIG. 5

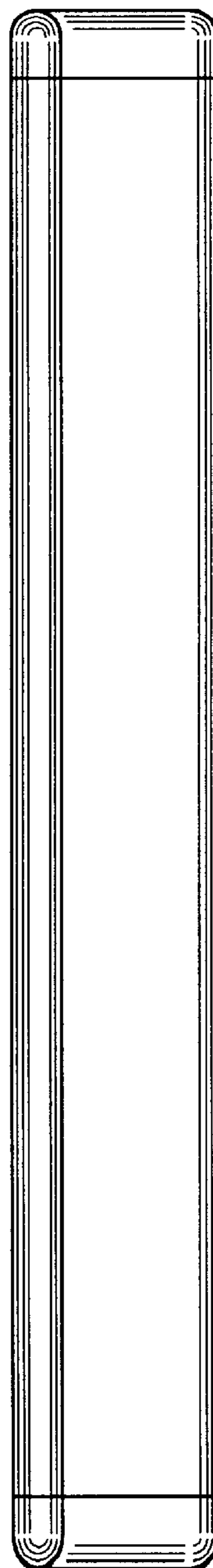


FIG. 6