



US00D445453S

(12) **United States Design Patent**
Hasegawa

(10) **Patent No.:** **US D445,453 S**

(45) **Date of Patent:** **** Jul. 24, 2001**

(54) **WRITING INSTRUMENT**

(75) Inventor: **Tsuyoshi Hasegawa**, Tokyo (JP)

(73) Assignee: **Tombow Pencil Co., Ltd.**, Tokyo (JP)

(**) Term: **14 Years**

(21) Appl. No.: **29/134,239**

(22) Filed: **Dec. 15, 2000**

(30) **Foreign Application Priority Data**

Jul. 4, 2000 (JP) 12-018161
Jul. 4, 2000 (JP) 12-018162

(51) **LOC (7) Cl.** **19-06**

(52) **U.S. Cl.** **D19/43; D19/51; D19/55;**
D19/56

(58) **Field of Search** D19/35, 36, 41-51,
D19/53, 58, 81-85; 401/98, 209, 6, 7, 88,
196-202, 260-262, 243-247

(56) **References Cited**

U.S. PATENT DOCUMENTS

D. 318,294 * 7/1991 Cho-Kai D19/48
D. 385,916 * 11/1997 Katami D19/48
D. 400,581 11/1998 Hasegawa D19/51
D. 404,069 1/1999 Hasegawa D19/36
D. 404,070 1/1999 Hasegawa D19/51
D. 404,425 1/1999 Suzuki D19/43
D. 408,450 4/1999 Kamei D19/55
D. 409,659 5/1999 Hasegawa D19/51
D. 416,940 * 11/1999 Ito D19/48
D. 421,625 * 3/2000 Oka D19/49
D. 437,886 * 2/2001 Pellissa Beneyto D19/43
5,941,650 * 8/1999 Fukai et al. 401/202

FOREIGN PATENT DOCUMENTS

483264 9/1953 (JP) .
505444 6/1954 (JP) .
531595 5/1955 (JP) .
543233 10/1955 (JP) .
602961 6/1983 (JP) .
664660 11/1985 (JP) .
664711 11/1985 (JP) .

672668 2/1986 (JP) .
676258 4/1986 (JP) .
706336 5/1987 (JP) .
707108 6/1987 (JP) .
708035 6/1987 (JP) .
709110 7/1987 (JP) .
716209 10/1987 (JP) .
717610 11/1987 (JP) .
723465 1/1988 (JP) .

(List continued on next page.)

OTHER PUBLICATIONS

Hasegawa, co-pending, commonly assigned and concurrently filed U.S. Patent Application entitled "Cap for a Writing Instrument", in its entirety.

Primary Examiner—Martie K. Holtje

(74) *Attorney, Agent, or Firm*—Butler, Snow, O'Mara, Stevens & Cannada, PLLC

(57) **CLAIM**

The ornamental design for a writing instrument, as shown and described.

DESCRIPTION

This application is related to co-pending, commonly assigned and concurrently filed U.S. Design Patent Application entitled: "Cap For A Writing Instrument," having Ser. No. 29/134,238.

FIG. 1 is a perspective view of a writing instrument showing my new design;

FIG. 2 is a front view of FIG. 1;

FIG. 3 is a right-side view of FIG. 1, the left-side view being a mirror image thereof;

FIG. 4 is a rear view of FIG. 1;

FIG. 5 is a top view of FIG. 1;

FIG. 6 is a bottom view of FIG. 1;

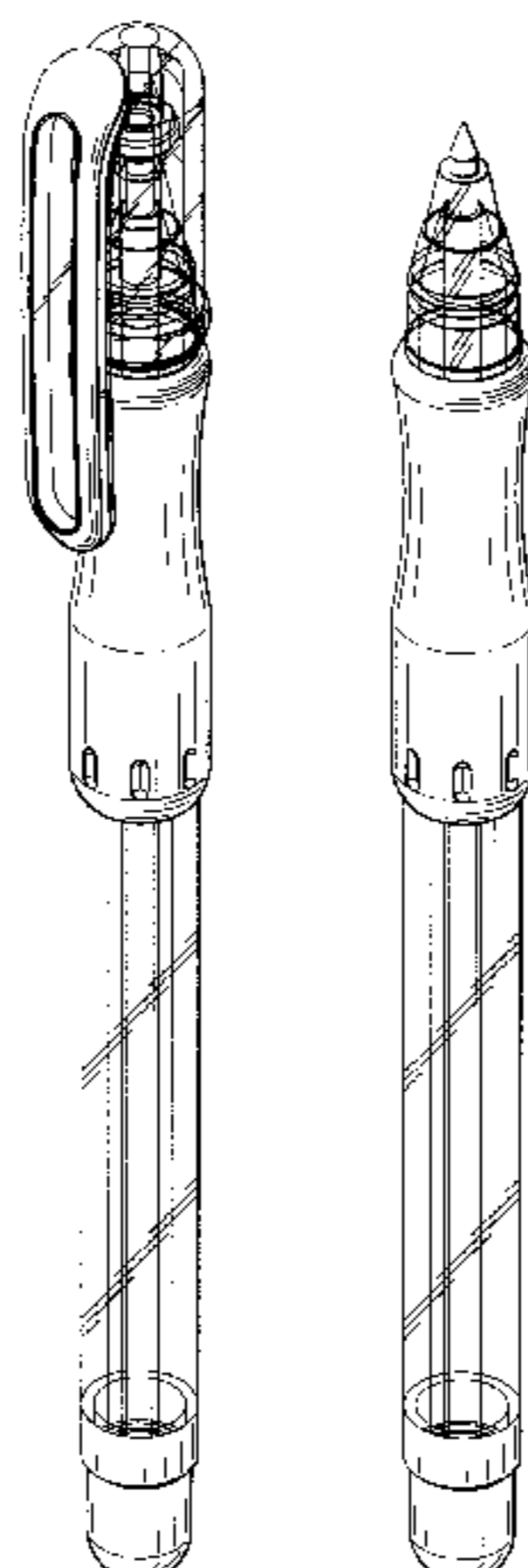
FIG. 7 is a perspective view of the writing instrument of FIG. 1 with the cap removed for convenience of illustration;

FIG. 8 is a front view of FIG. 7, the rear view, left-side view, and right-side view being the same;

FIG. 9 is a top view of FIG. 7; and,

FIG. 10 is a bottom view of FIG. 7.

1 Claim, 3 Drawing Sheets



FOREIGN PATENT DOCUMENTS

723466	1/1988	(JP)	951110	4/1996	(JP)
724892	2/1988	(JP)	967642	10/1996	(JP)
724893	2/1988	(JP)	987293	8/1997	(JP)
727943	3/1988	(JP)	987496	8/1997	(JP)
757626	3/1989	(JP)	989042	9/1997	(JP)
758600	3/1989	(JP)	1016070	7/1998	(JP)
759281	4/1989	(JP)	1016593	7/1998	(JP)
792713	7/1990	(JP)	1017941	8/1998	(JP)
805918	1/1991	(JP)	1018250	8/1998	(JP)
836807	5/1992	(JP)	1024484	11/1998	(JP)
917376	1/1995	(JP)	1028250	12/1998	(JP)
948781	3/1996	(JP)	1031483	2/1999	(JP)
948790	3/1996	(JP)	1031513	2/1999	(JP)
950258	4/1996	(JP)	1031530	2/1999	(JP)
950379	4/1996	(JP)	1031532	2/1999	(JP)
950508	4/1996	(JP)	1031568	2/1999	(JP)
951091	4/1996	(JP)	1031575	2/1999	(JP)

* cited by examiner

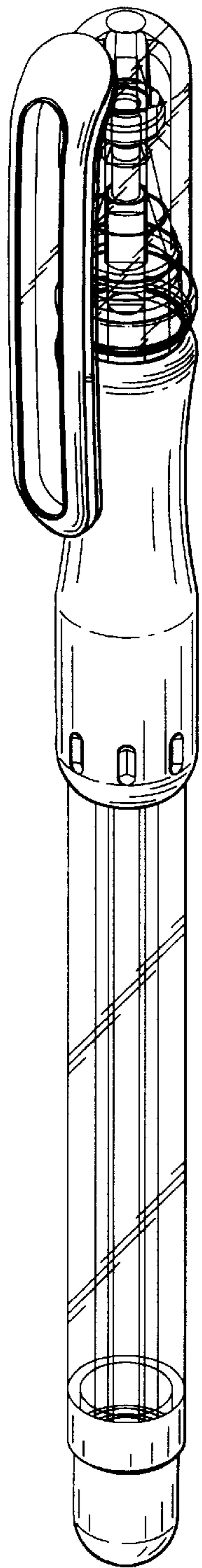


FIG 1

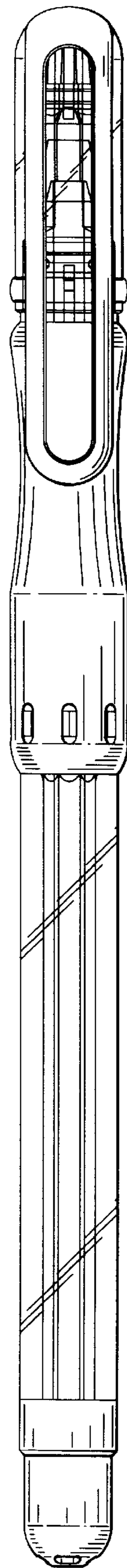


FIG 2

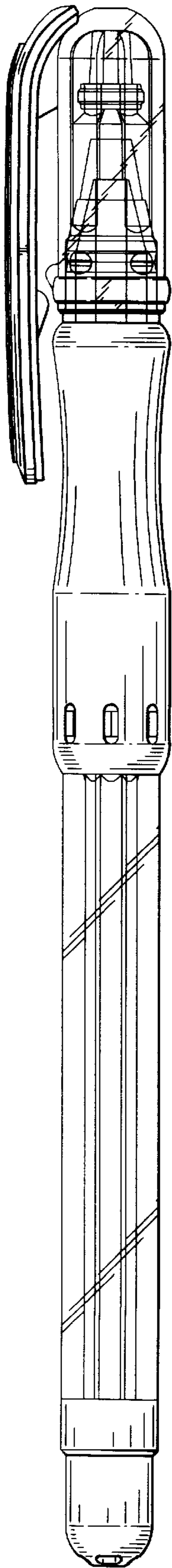


FIG 3

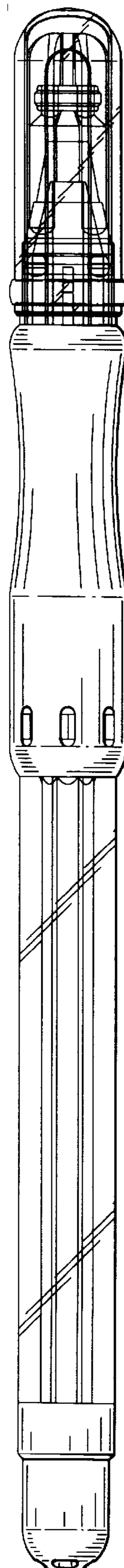


FIG 4

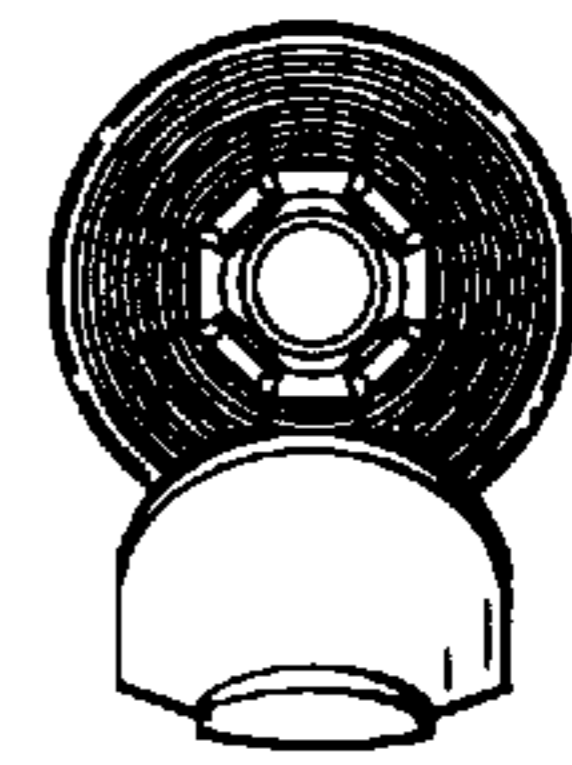


FIG 5

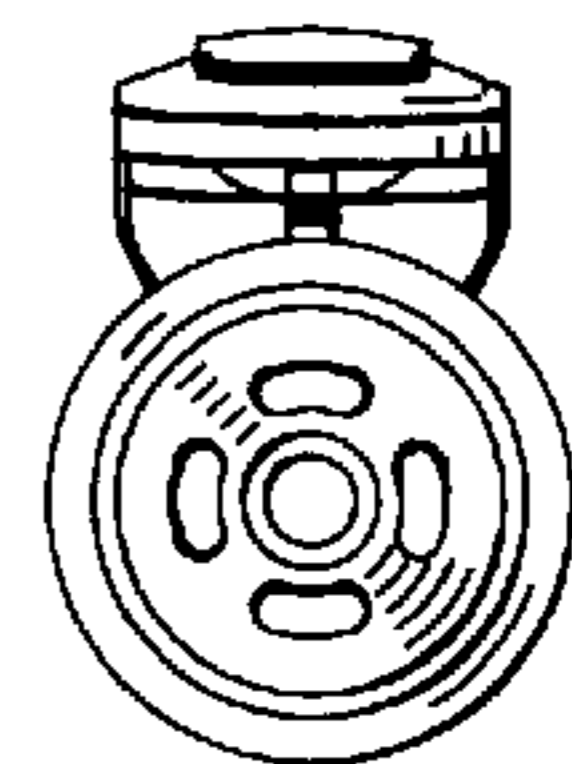


FIG 6

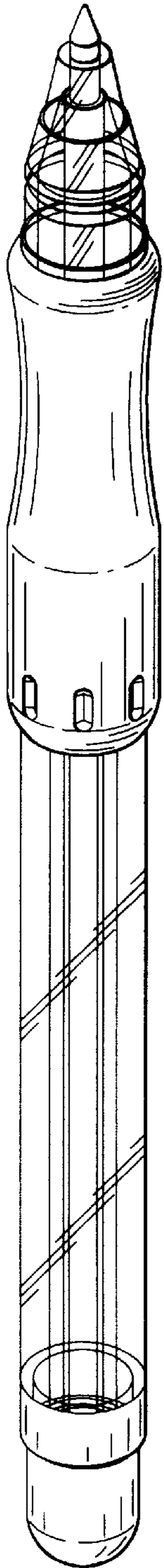


FIG 7

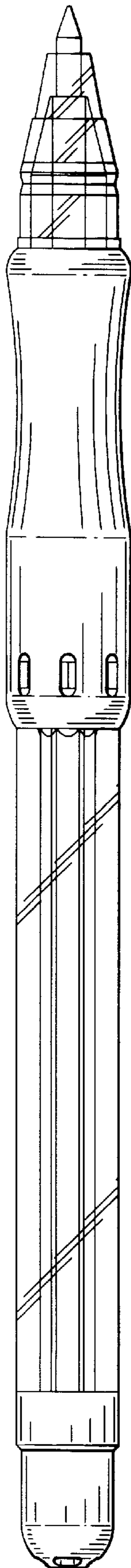


FIG 8

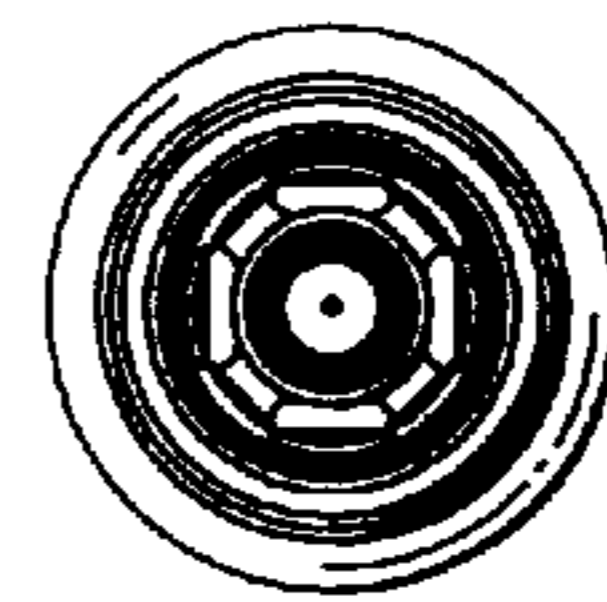


FIG 9

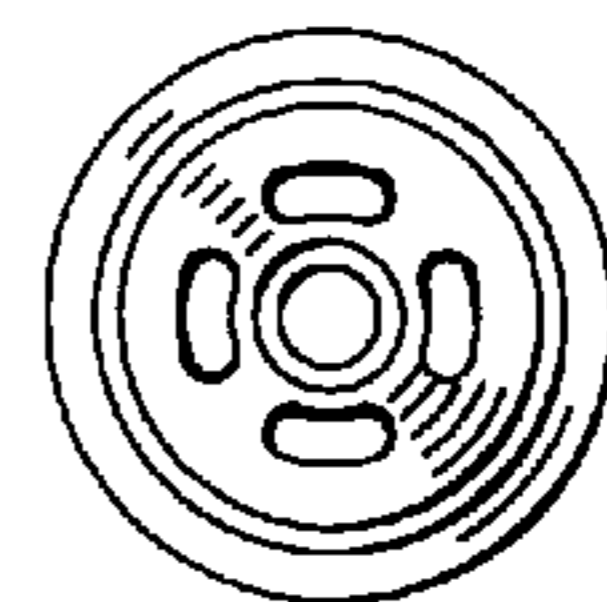


FIG 10