



US00D445451S

(12) **United States Design Patent**
Clark, III et al.

(10) **Patent No.: US D445,451 S**

(45) **Date of Patent: ** Jul. 24, 2001**

(54) **DESKTOP PRINTER WITH ONE PAPER TRAY**

(75) Inventors: **William Theodore Clark, III**,
Pittsford; **David Quijano**, Victor;
Donald A. Brown, Honeoye Falls;
James D. Gresko, Rochester, all of NY
(US)

(73) Assignee: **Xerox Corporation**, Stamford, CT
(US)

(**) Term: **14 Years**

(21) Appl. No.: **29/128,469**

(22) Filed: **Aug. 24, 2000**

(51) **LOC (7) Cl.** **14-02**

(52) **U.S. Cl.** **D18/55**

(58) **Field of Search** D18/37-39, 50,
D18/54-55; 400/613, 613.1-613.4, 690.1-690.4,
691-694

(56) **References Cited**

U.S. PATENT DOCUMENTS

- D. 390,258 * 2/1998 Kawahara et al. D18/55
- D. 400,571 * 11/1998 Shimizu D18/54
- D. 400,572 * 11/1998 Sekine et al. D18/54
- D. 400,918 * 11/1998 Kobayashi et al. D18/55

- D. 411,228 * 6/1999 Kobayashi et al. D18/50
- D. 425,552 * 5/2000 Kobayashi et al. D18/54
- D. 427,235 * 6/2000 Kaseno et al. D18/54
- D. 433,442 * 11/2000 Clark, III D18/55
- D. 433,443 * 11/2000 Ito et al. D18/55
- D. 435,266 * 12/2000 Sekine et al. D18/55
- D. 435,588 * 12/2000 Kobayashi et al. D18/55
- D. 438,894 * 3/2001 Bishop et al. D18/55
- D. 439,607 * 3/2001 Inoue et al. D18/54
- D. 439,608 * 3/2001 Gassett et al. D18/55

* cited by examiner

Primary Examiner—Cathy Anne MacCormac

(57) **CLAIM**

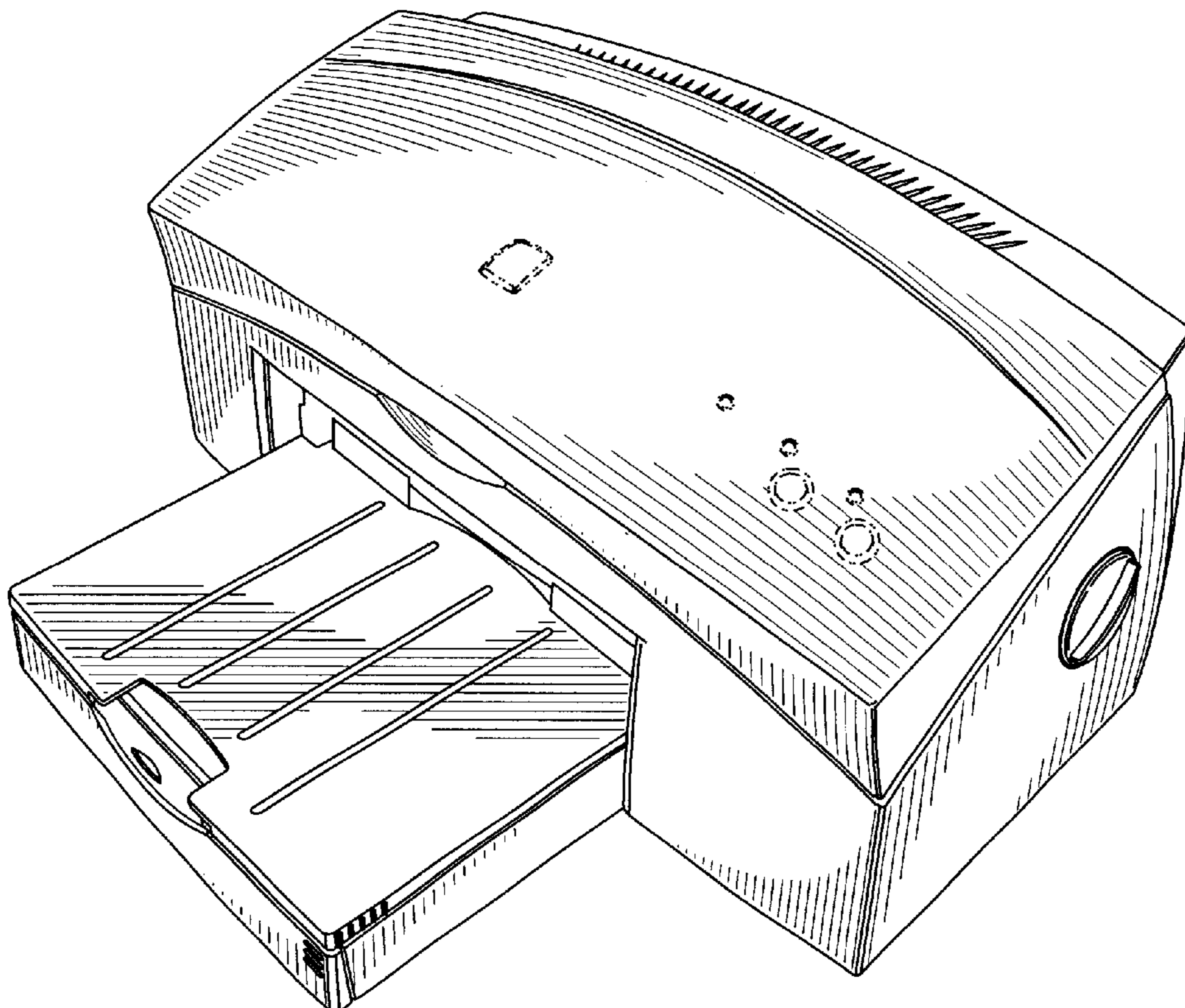
The ornamental design for a desktop printer with one paper tray, as shown.

DESCRIPTION

FIG. 1 is an overhead perspective view of our design;
FIG. 2 is a front view thereof;
FIG. 3 is a left side view thereof;
FIG. 4 is a rear view thereof;
FIG. 5 is a right side view thereof; and,
FIG. 6 is a top view thereof.

The broken lines are for purposes of illustration and form no part of the claimed design.

1 Claim, 6 Drawing Sheets



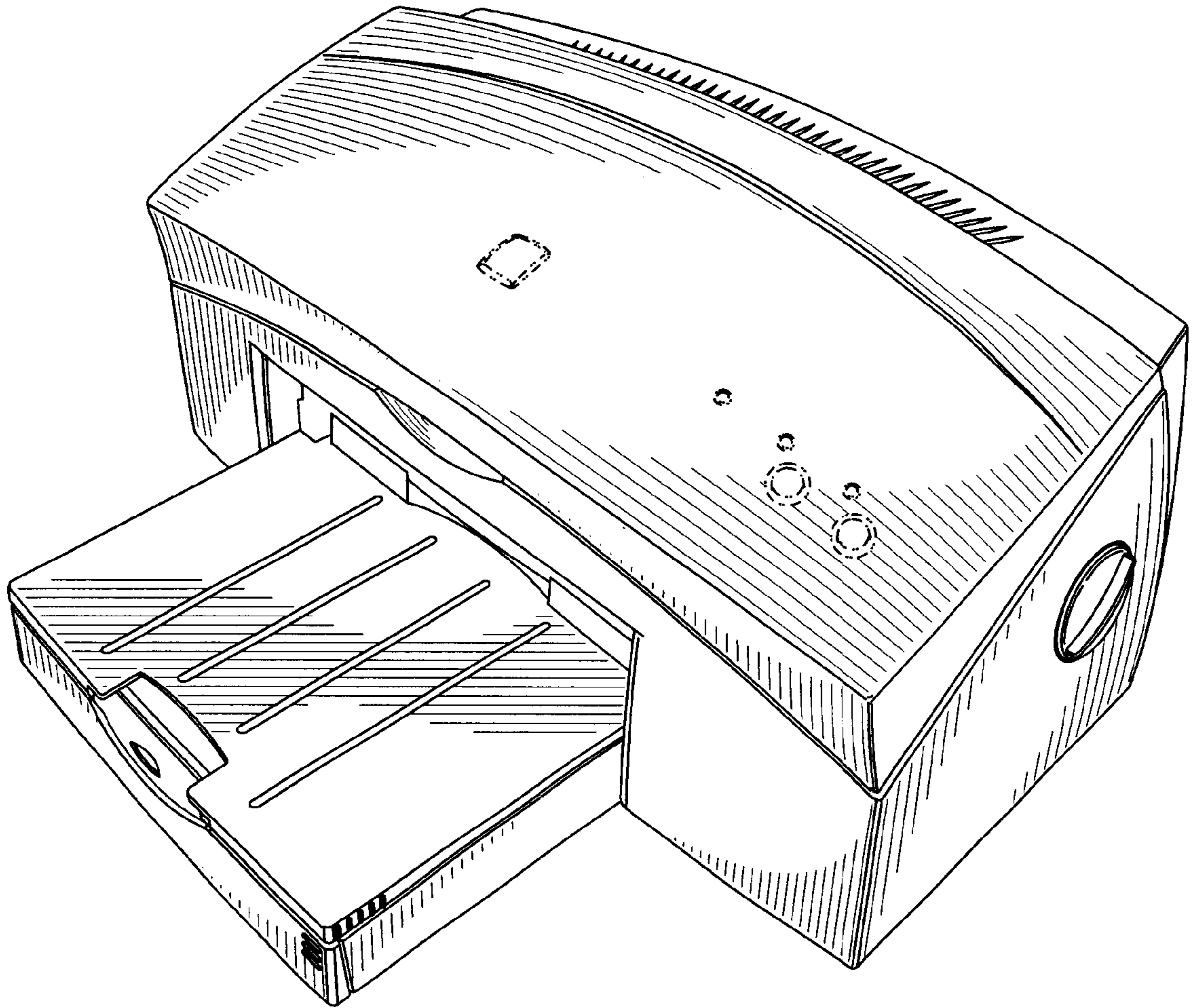


FIG. 1

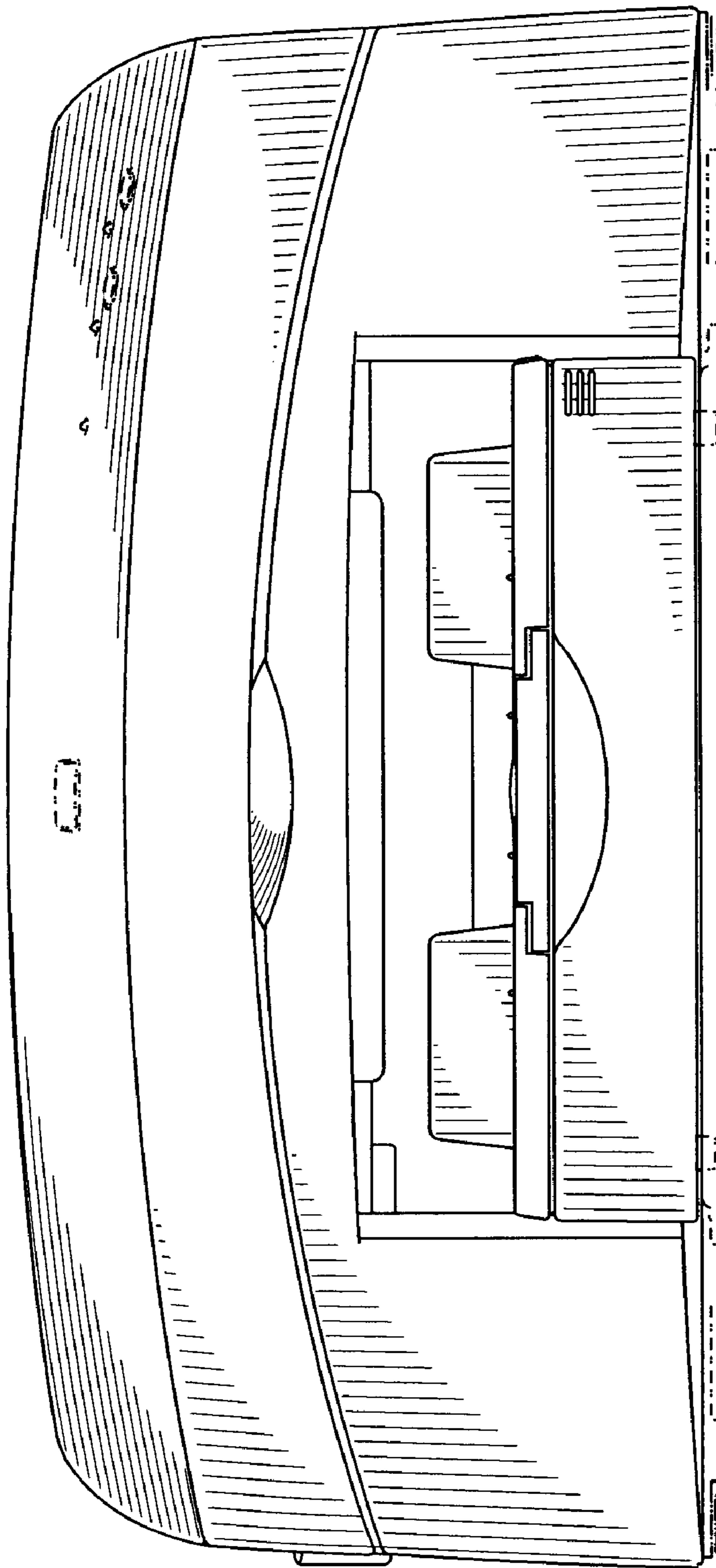


FIG. 2

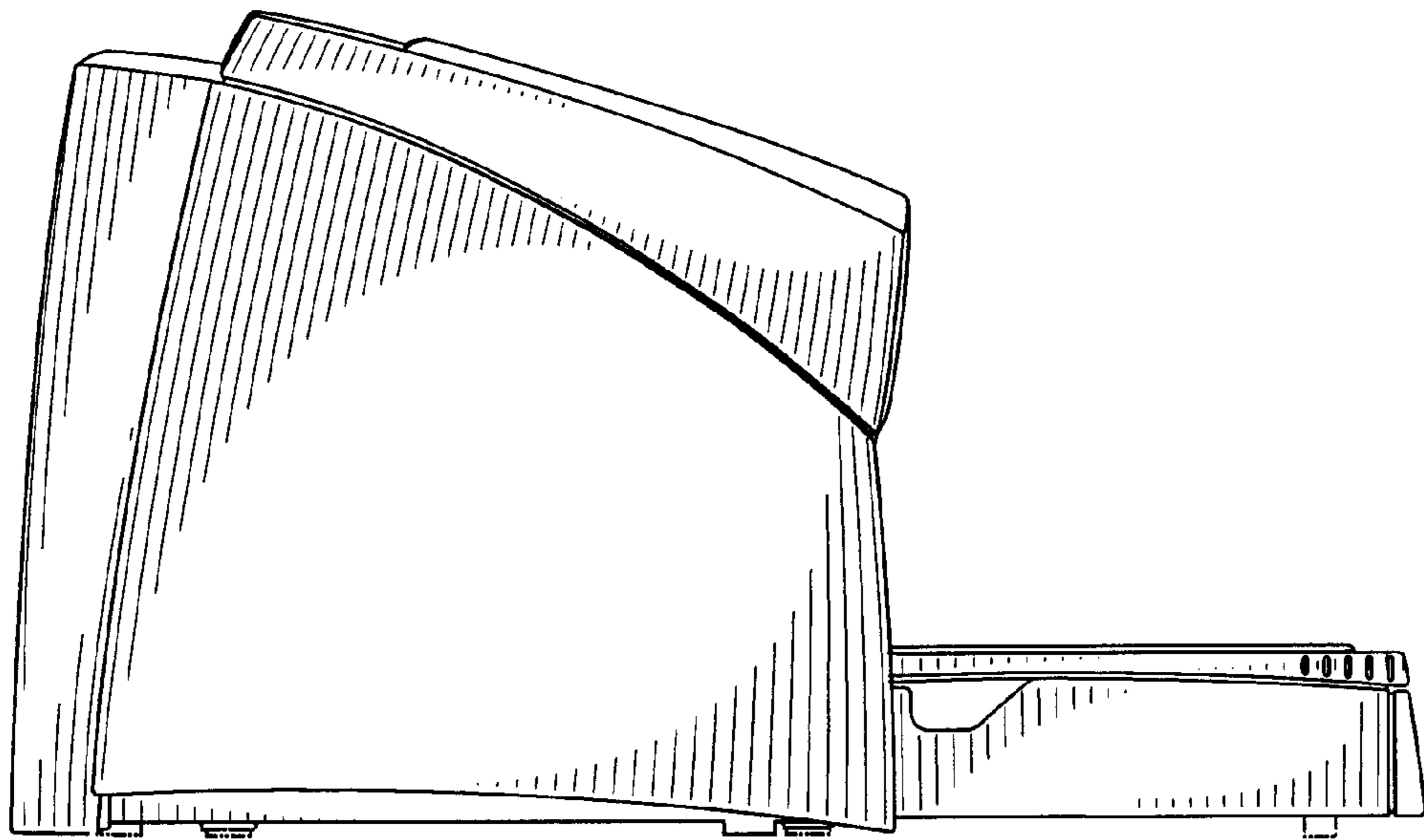


FIG. 3

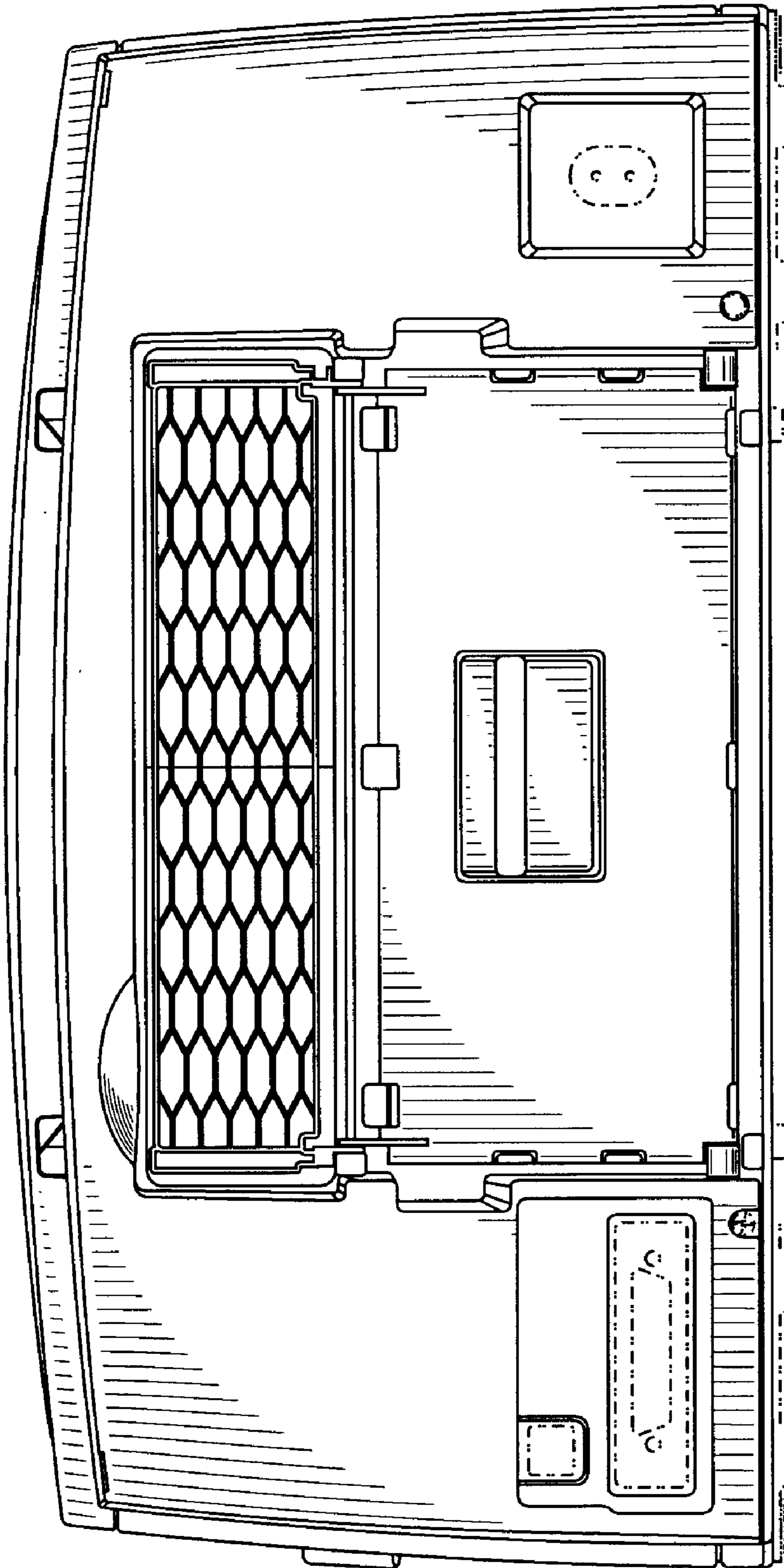


FIG. 4

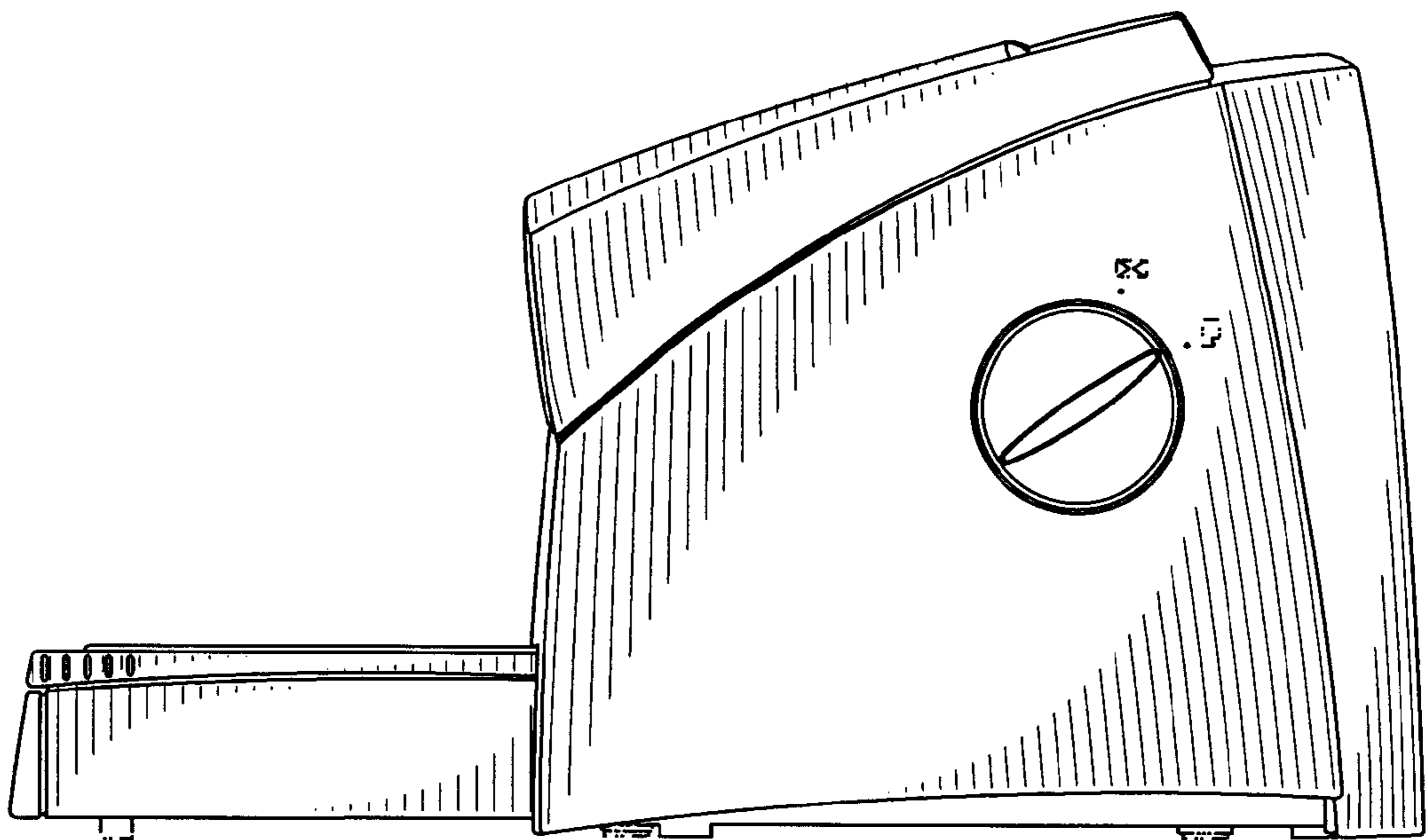


FIG. 5

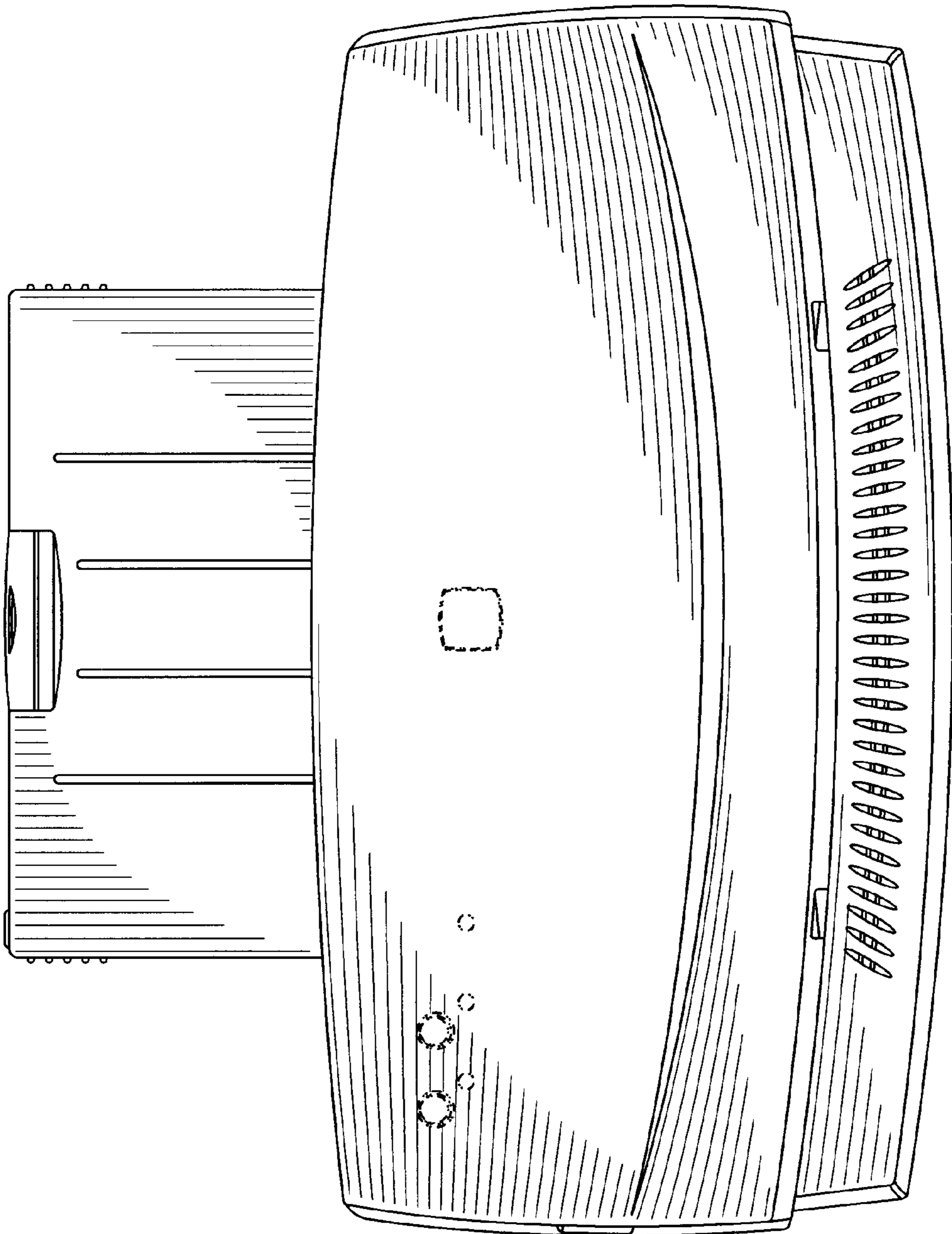


FIG. 6