



US00D445446S

(12) **United States Design Patent**
Knox, Jr. et al.

(10) **Patent No.:** **US D445,446 S**

(45) **Date of Patent:** **** Jul. 24, 2001**

(54) **DINOSAUR SHAPED COIN SORTER**

D. 397,744 * 9/1998 Brummer D21/615

(75) Inventors: **William J. Knox, Jr.**, Painesville; **John R. Nottingham**, Hunting Valley; **John W. Spirk**, Gates Mills; **Patrick W. Brown**, Mantua, all of OH (US)

OTHER PUBLICATIONS

“Mag-Nif Makes it in the U.S.A.!” Brochure, 1999.

* cited by examiner

(73) Assignee: **Mag-Nif Incorporated**, Mentor, OH (US)

Primary Examiner—Caron D. Veynar

(74) *Attorney, Agent, or Firm*—Fay, Sharp, Fagan, Minnich & McKee, LLP

(**) Term: **14 Years**

(57) **CLAIM**

(21) Appl. No.: **29/134,265**

The ornamental design for a dinosaur shaped coin sorter, as shown and described.

(22) Filed: **Dec. 18, 2000**

DESCRIPTION

(51) **LOC (7) Cl.** **18-01**

(52) **U.S. Cl.** **D18/3.1; D99/38**

(58) **Field of Search** D18/3.1–3.3; D21/615; D99/34, 38, 40

FIG. 1 is a perspective view of a dinosaur shaped coin sorter showing our new design;

FIG. 2 is a right side elevational view thereof;

FIG. 3 is a left side elevational view thereof;

FIG. 4 is a top plan view thereof;

FIG. 5 is a bottom plan view thereof;

FIG. 6 is a front elevational view thereof; and,

FIG. 7 is a rear elevational view thereof.

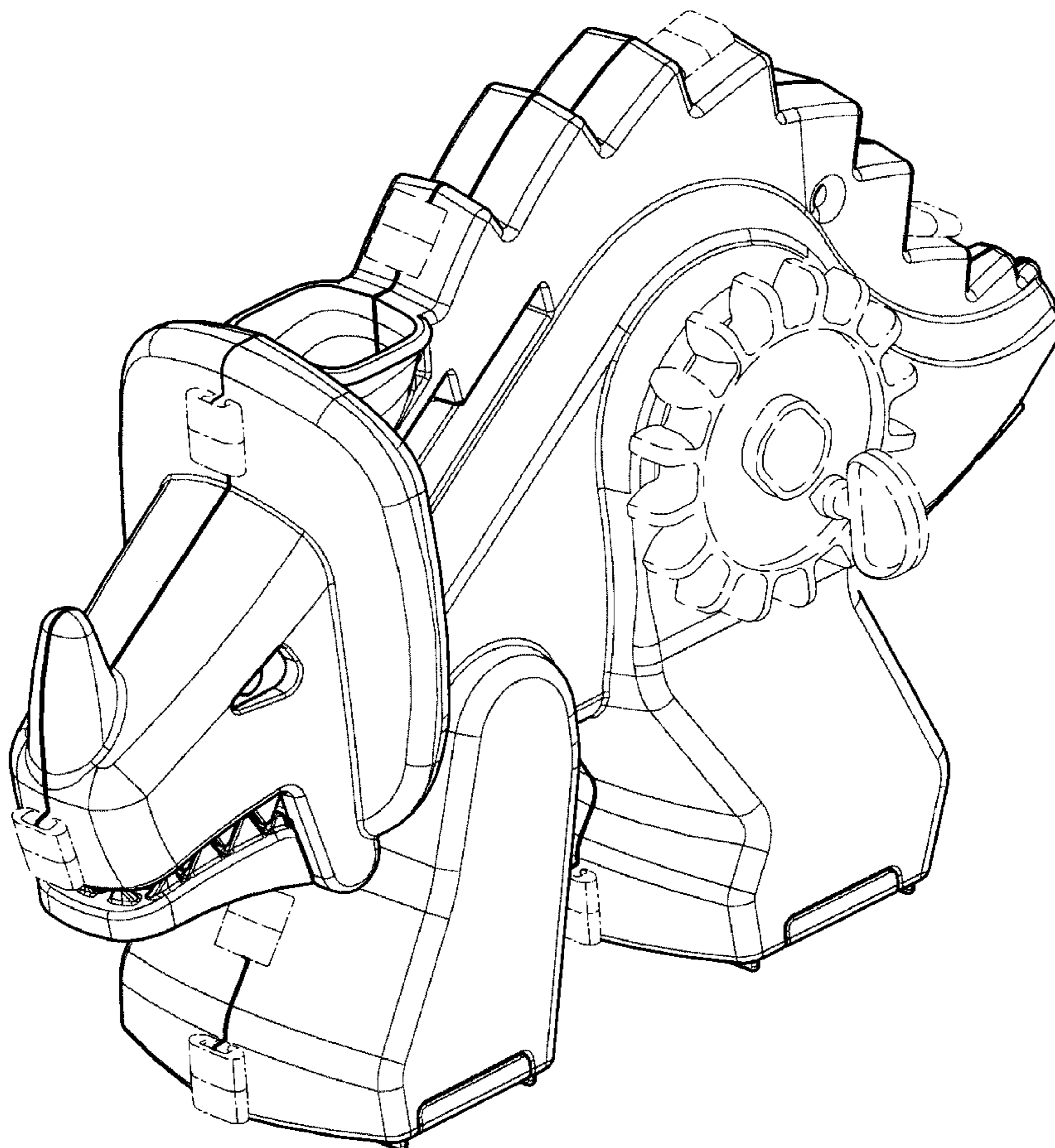
The components outlined in broken lines in FIGS. 1–7 form no part of the claimed design.

(56) **References Cited**

U.S. PATENT DOCUMENTS

- D. 287,038 * 12/1986 Ohno D21/615 X
- D. 354,834 * 1/1995 Chesnut D99/38
- D. 362,696 * 9/1995 Weemhoff D21/615
- D. 373,799 * 9/1996 Doi et al. D21/615
- D. 388,478 * 12/1997 Nielsen et al. D21/615

1 Claim, 4 Drawing Sheets



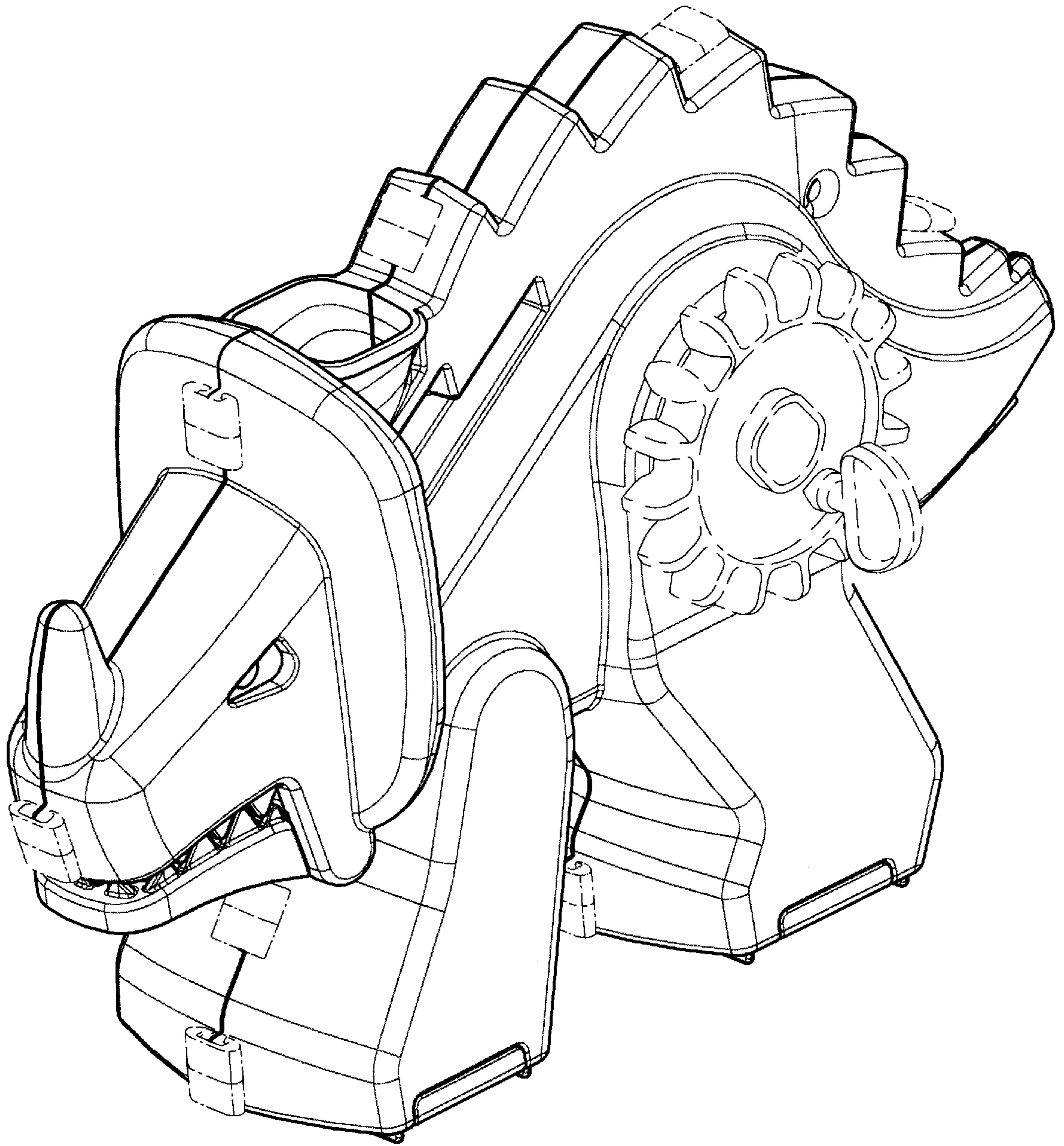


FIG. 1

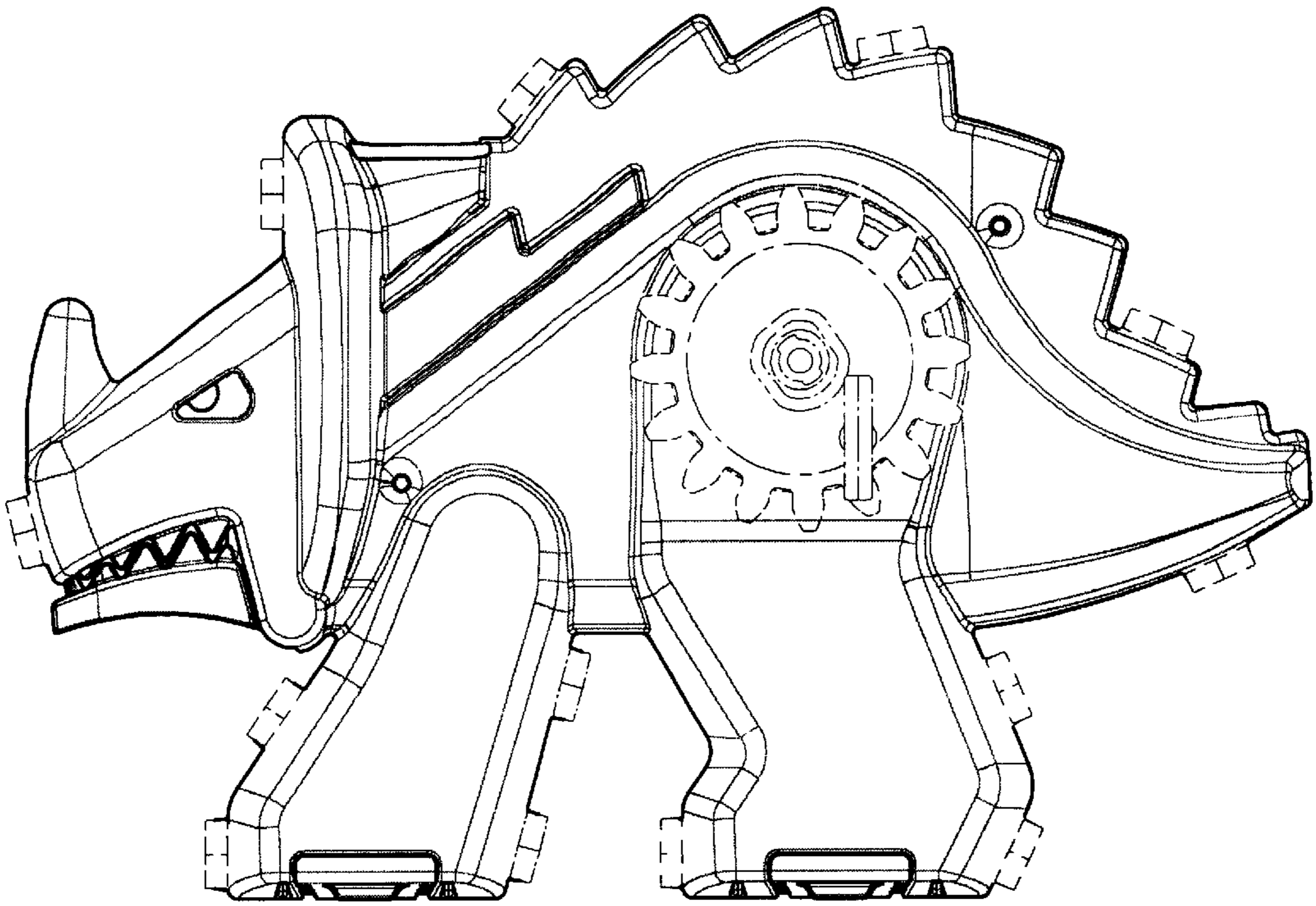


FIG. 2

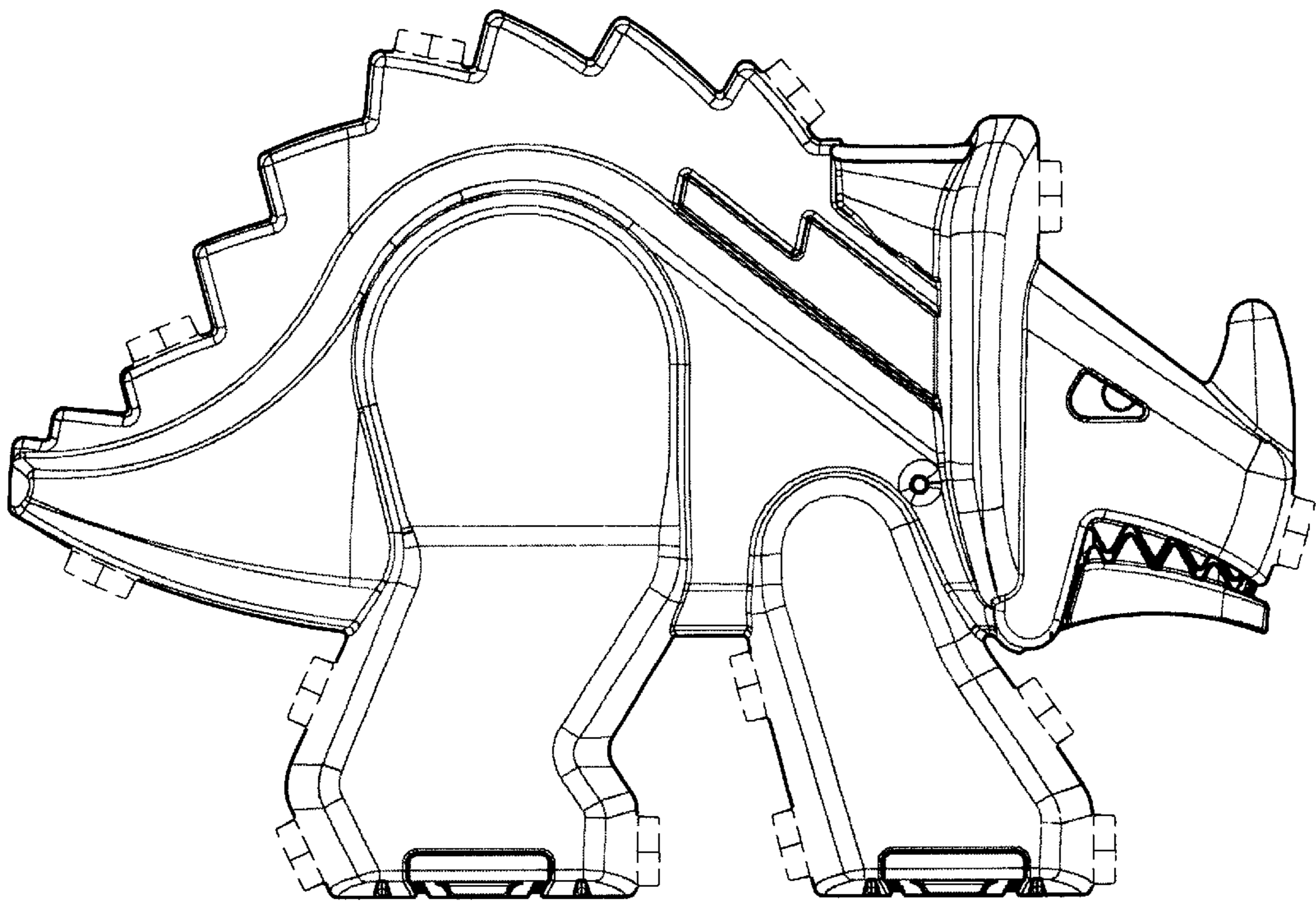


FIG. 3

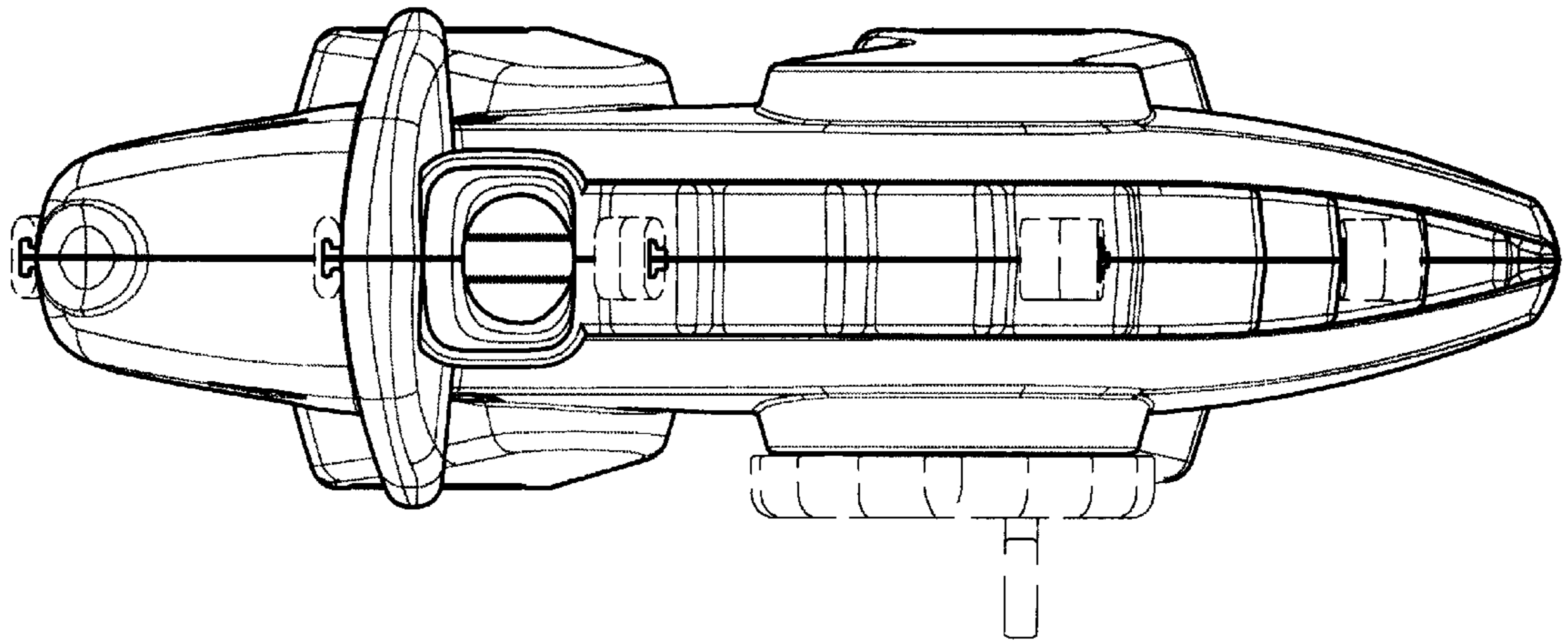


FIG. 4

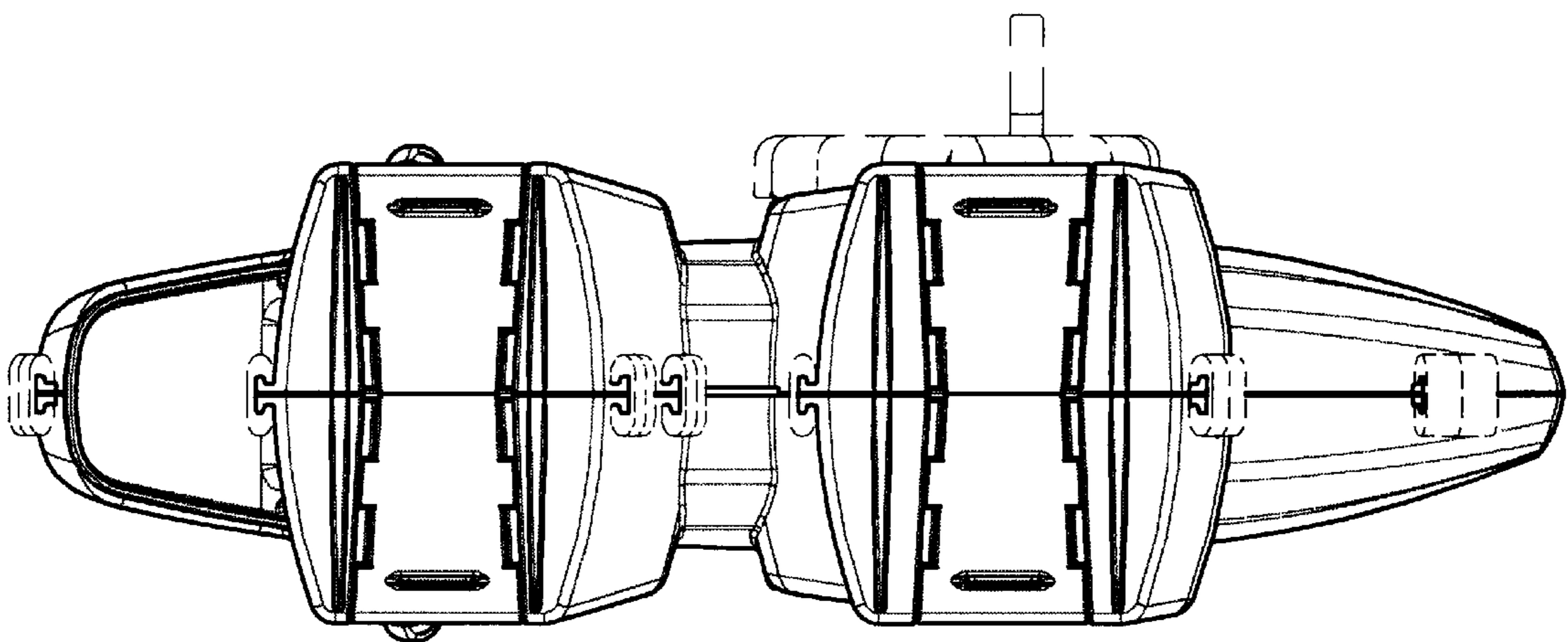


FIG. 5

FIG. 6

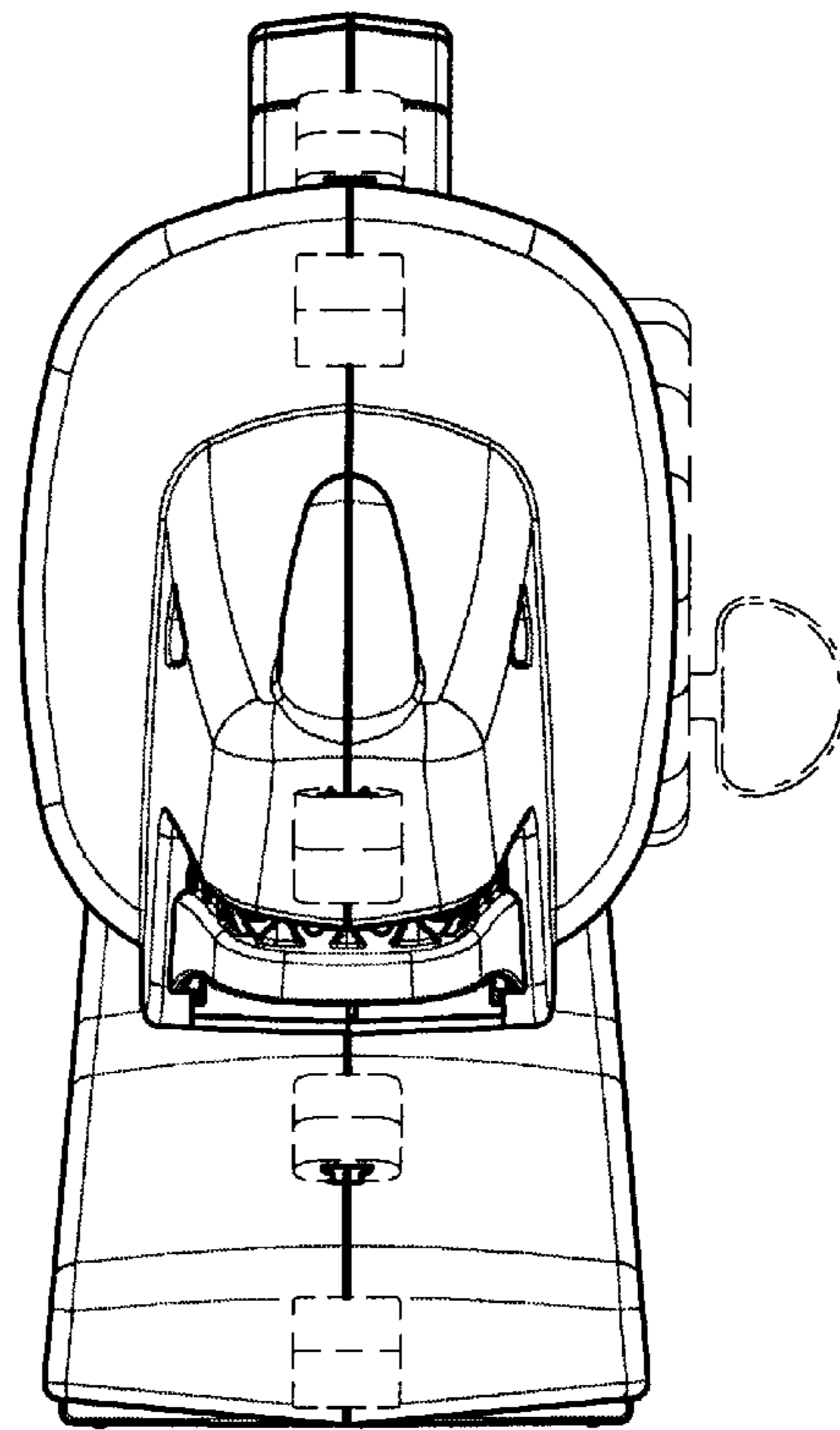


FIG. 7

