



US00D445440S

(12) **United States Design Patent**
Chen

(10) **Patent No.:** **US D445,440 S**

(45) **Date of Patent:** **** Jul. 24, 2001**

(54) **DIGITAL CAMERA**

(75) Inventor: **Chi-Huan Chen**, Taoyuan Hsien (TW)

(73) Assignee: **Enlight Corporation**, Taoyuan Hsien (TW)

(**) Term: **14 Years**

(21) Appl. No.: **29/134,292**

(22) Filed: **Dec. 20, 2000**

(51) **LOC (7) Cl.** **16-01**

(52) **U.S. Cl.** **D16/202; D16/218**

(58) **Field of Search** **D16/200-205, D16/208, 209, 212, 218; 348/373-376; 358/906, 909.1; 396/535-541**

(56) **References Cited**

U.S. PATENT DOCUMENTS

- D. 404,752 * 1/1999 Lin D16/218
- D. 421,761 * 3/2000 Chang et al. D16/209

- D. 422,002 * 3/2000 Li et al. D16/209
- D. 426,842 * 6/2000 Suzuki et al. D16/202
- D. 428,035 * 7/2000 Hou et al. D16/209
- D. 437,869 * 2/2001 Nakanishi et al. D16/219

* cited by examiner

Primary Examiner—Adir Aronovich

(74) *Attorney, Agent, or Firm*—Dougherty & Troxell

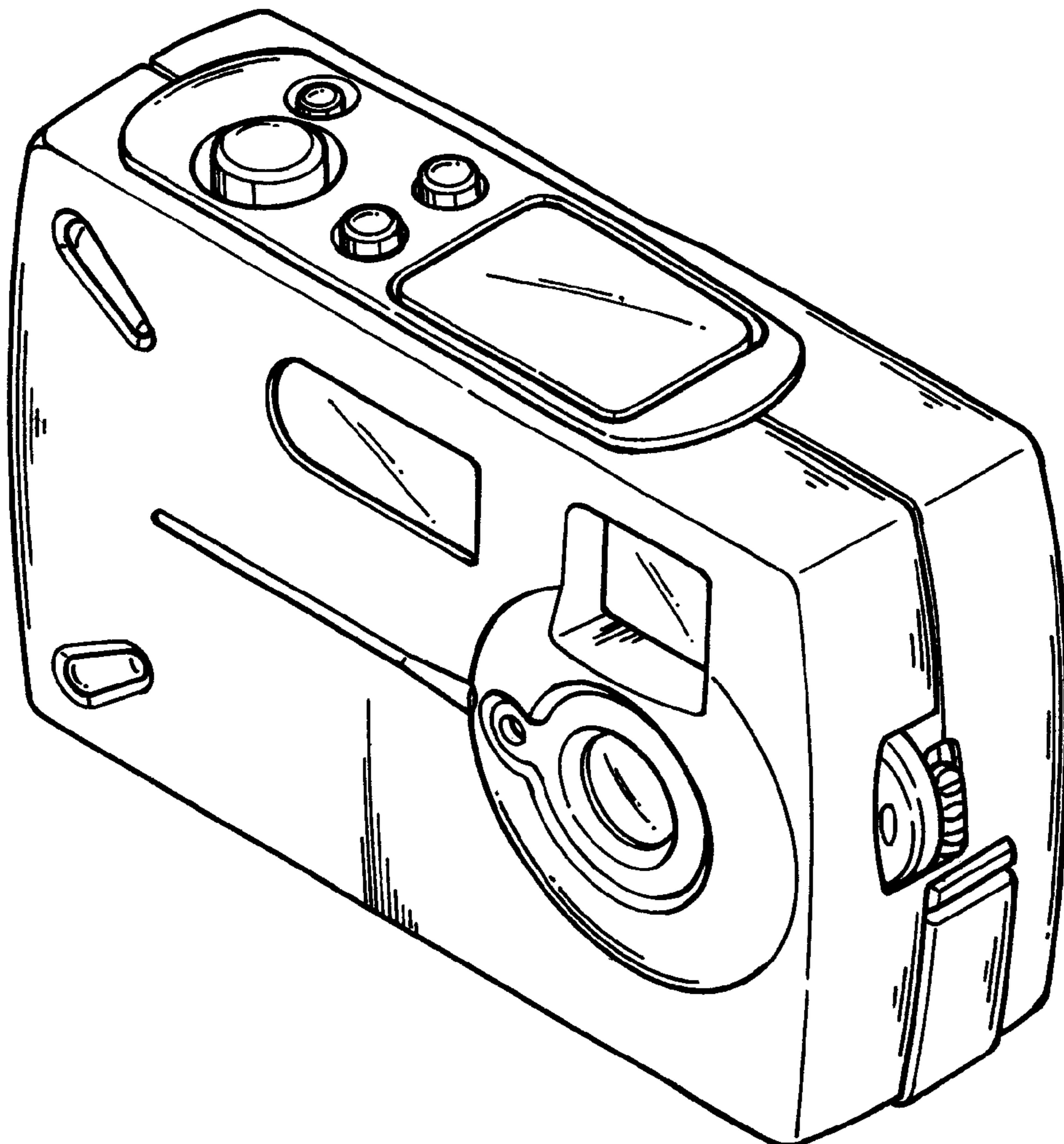
(57) **CLAIM**

The ornamental design for a digital camera, as shown.

DESCRIPTION

FIG. 1 is a front perspective view of a digital camera showing my new design;
 FIG. 2 is a front elevational view thereof;
 FIG. 3 is a rear elevational view thereof;
 FIG. 4 is a left side elevational view thereof;
 FIG. 5 is a right side elevational view thereof;
 FIG. 6 is a top plan view thereof; and,
 FIG. 7 is a bottom plan view thereof.

1 Claim, 4 Drawing Sheets



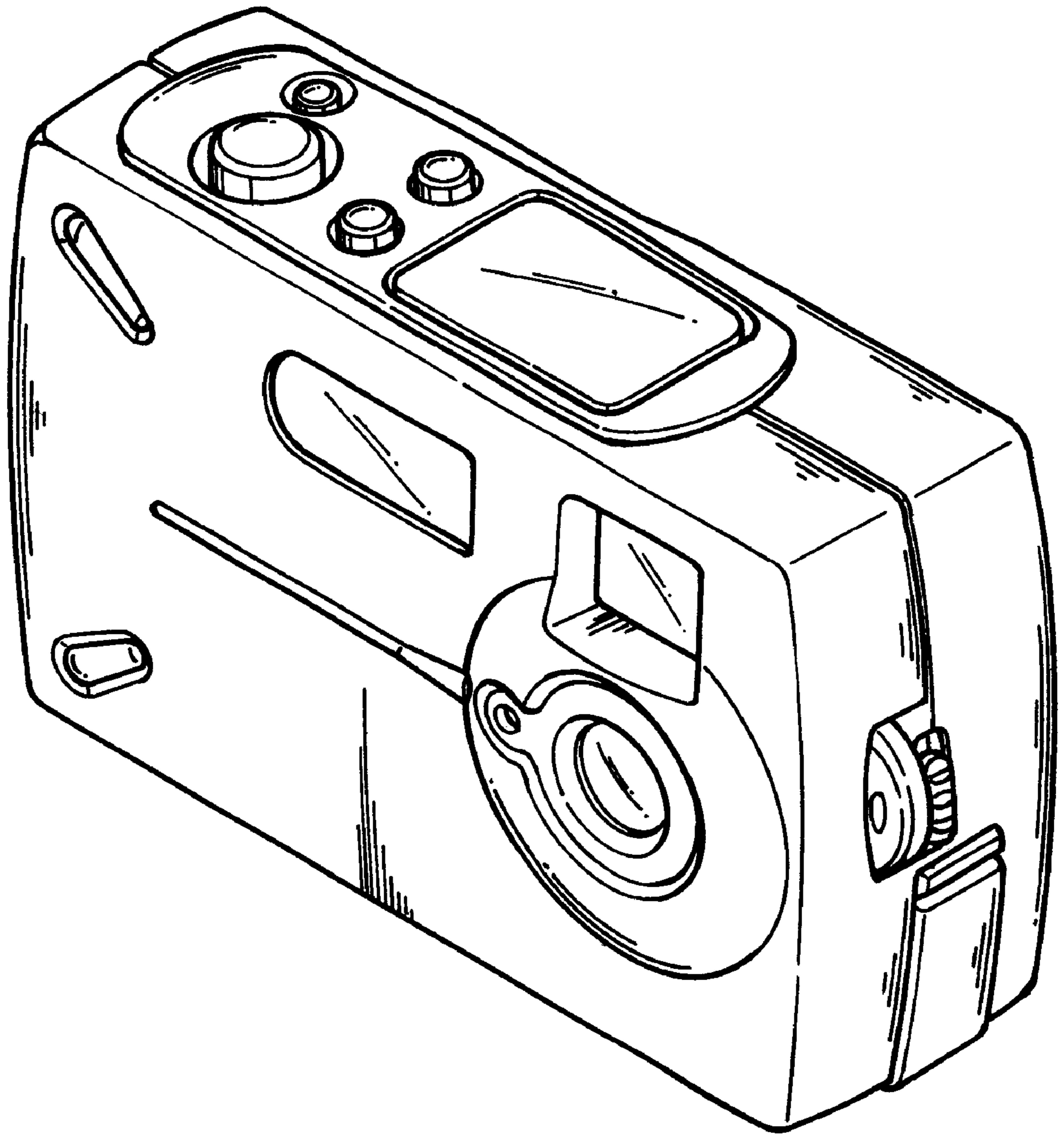


FIG. 1

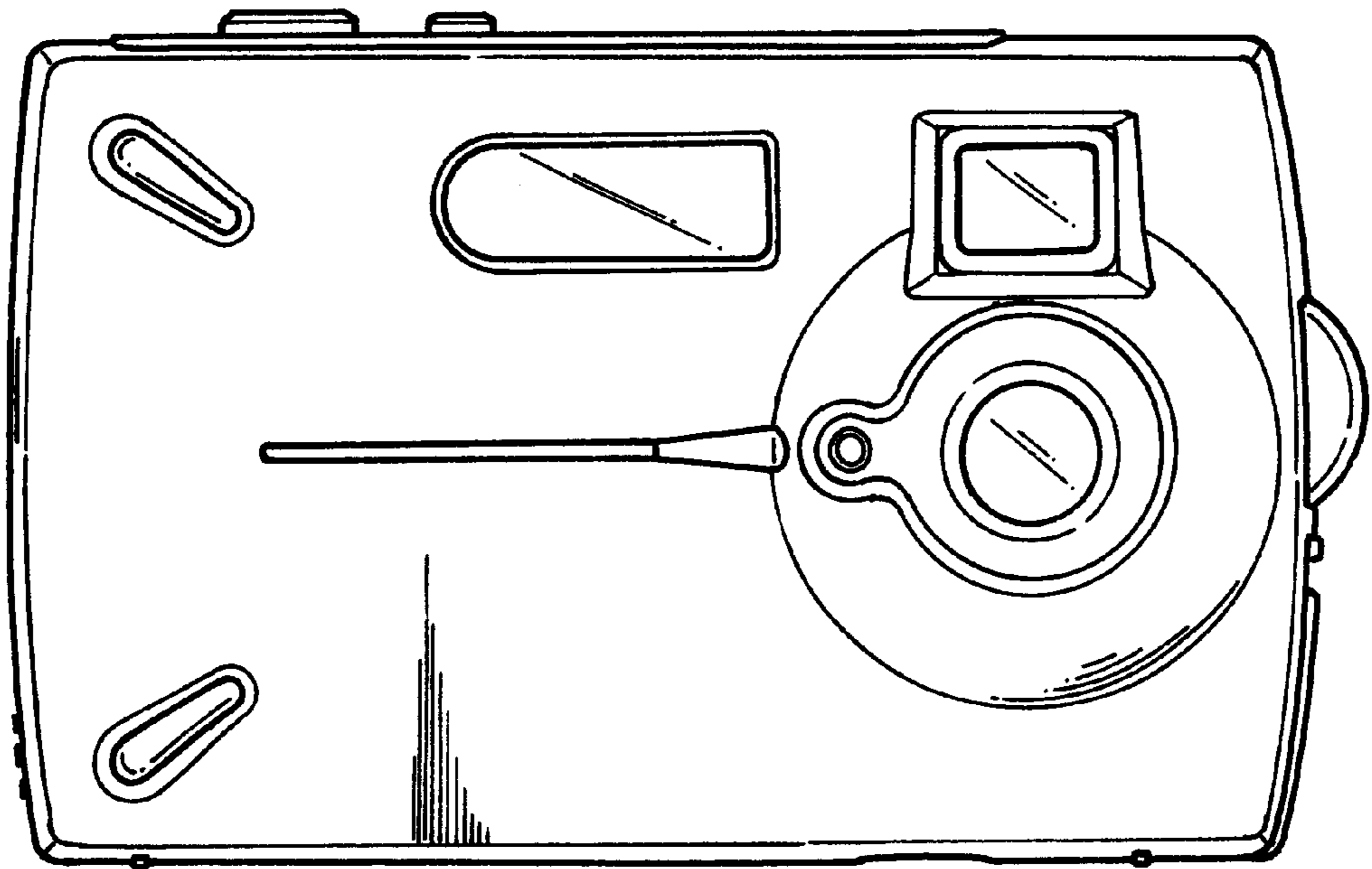


FIG. 2

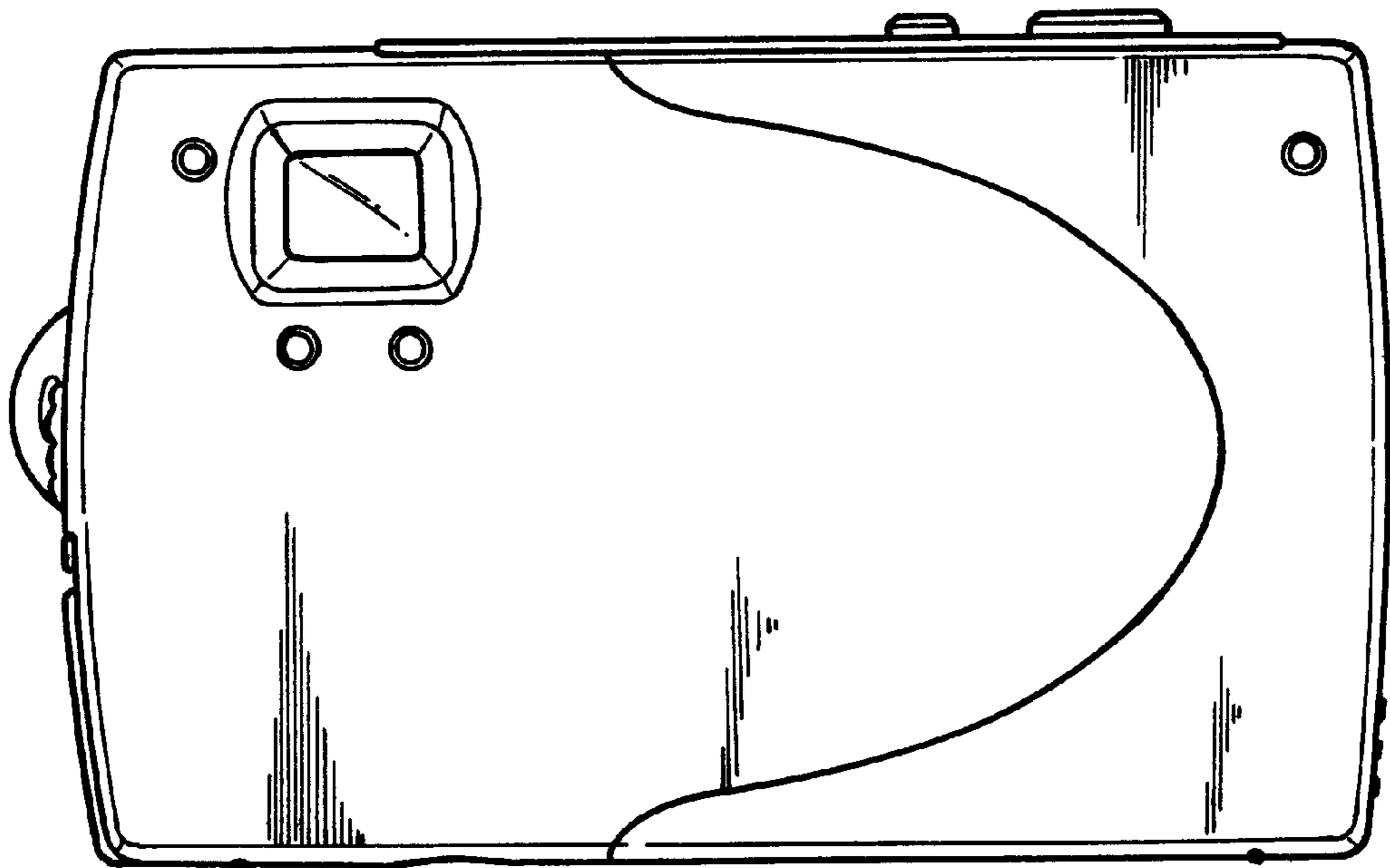


FIG. 3

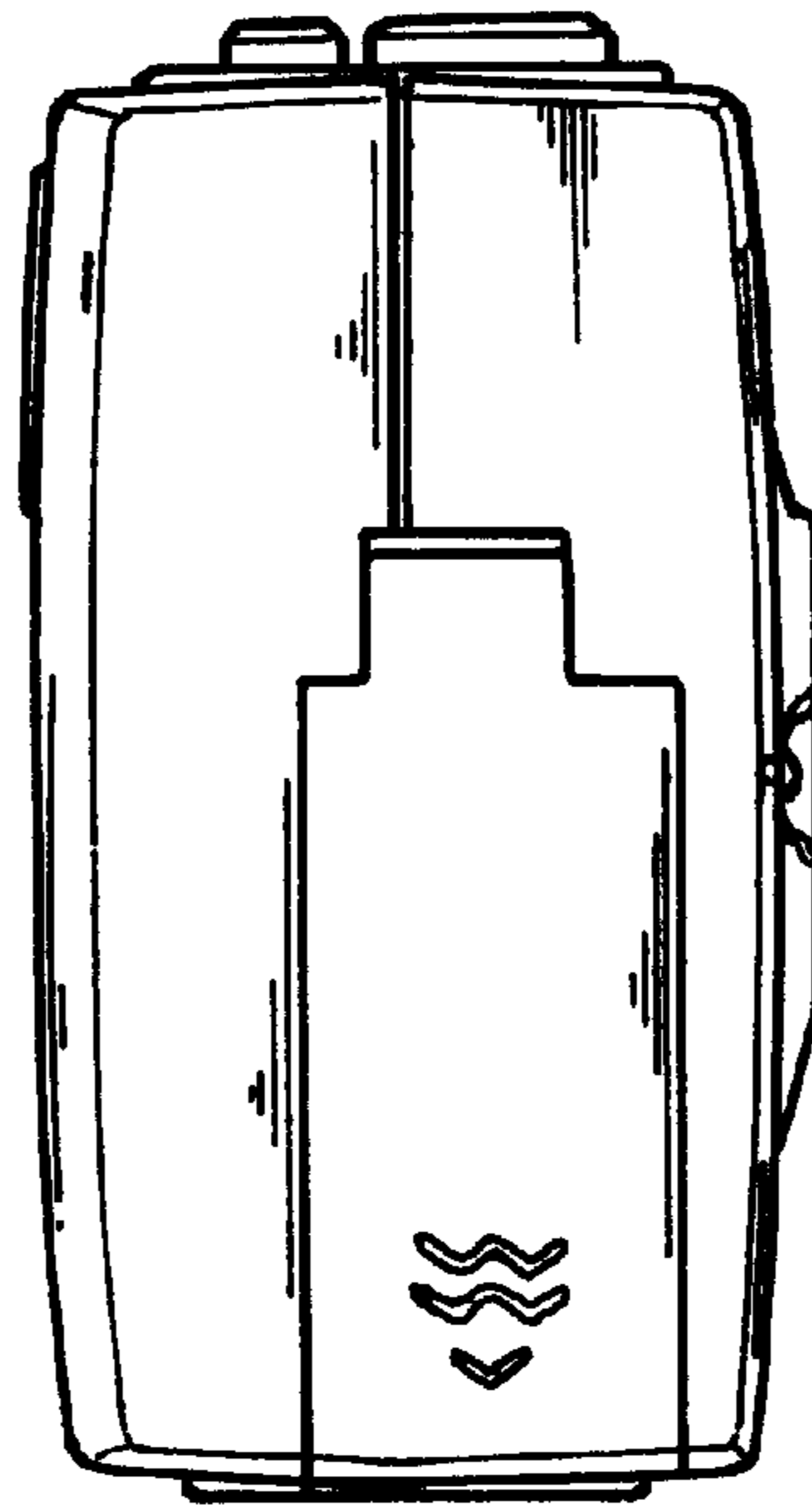


FIG. 4

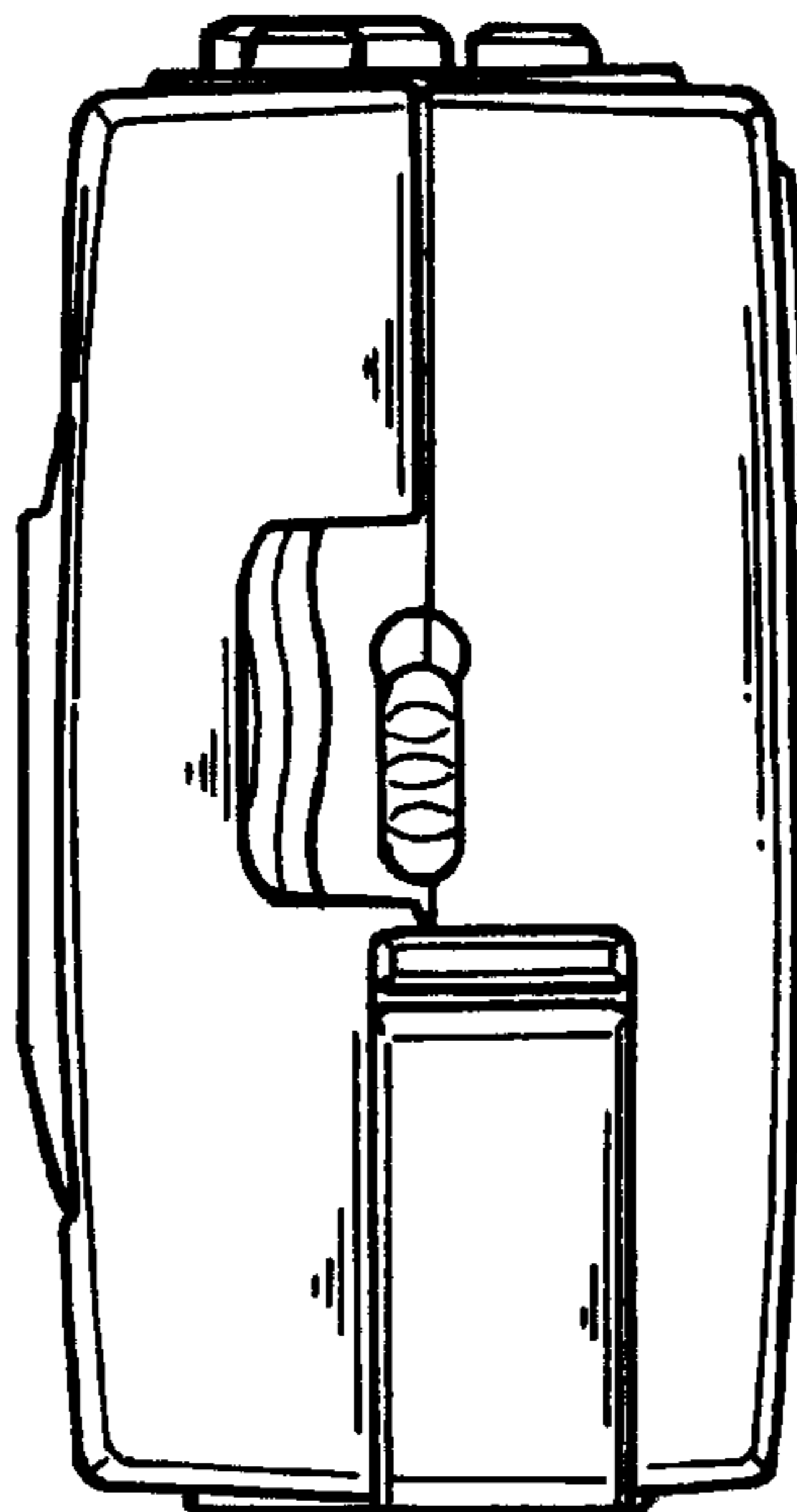


FIG. 5

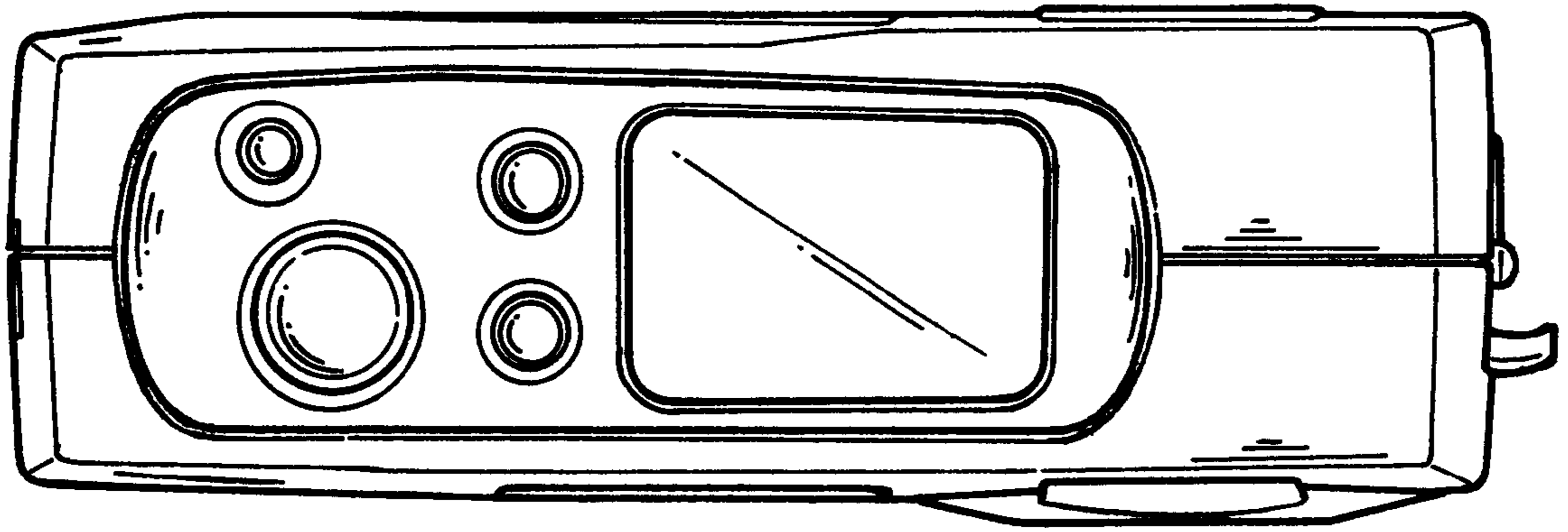


FIG. 6

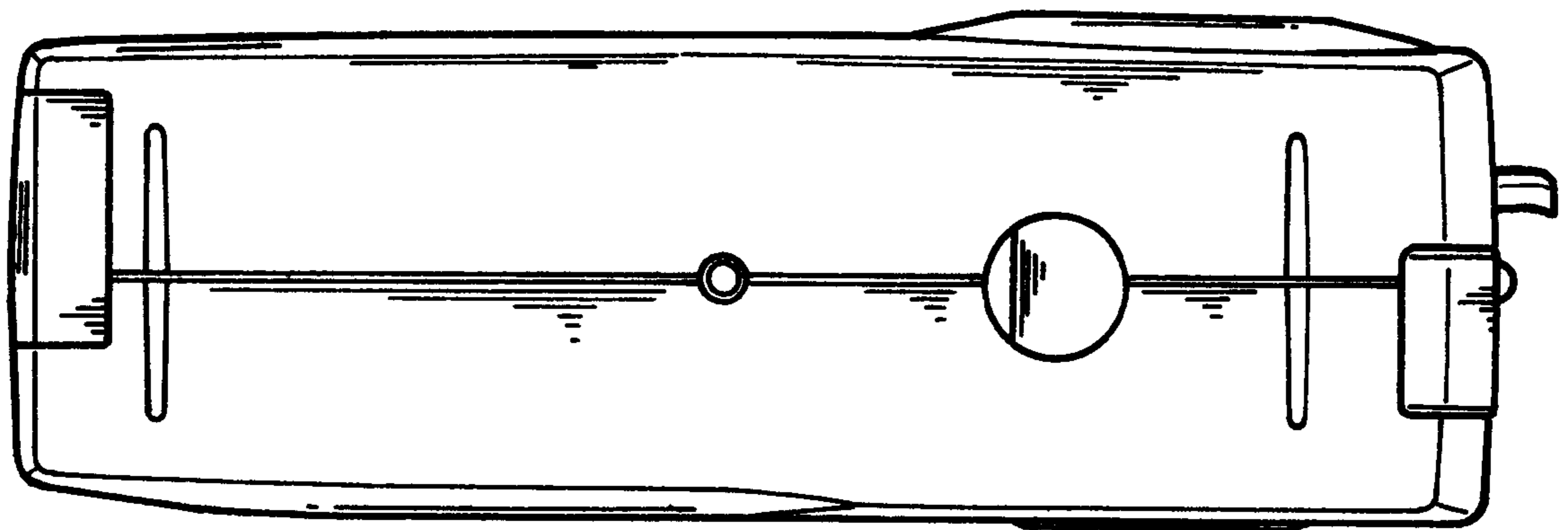


FIG. 7