



US00D445438S

(12) **United States Design Patent**  
**Kubota**

(10) **Patent No.:** **US D445,438 S**

(45) **Date of Patent:** **\*\* Jul. 24, 2001**

(54) **ELECTRONIC STILL CAMERA WITH A MONITOR**

(75) Inventor: **Yuuki Kubota**, Tokyo (JP)

(73) Assignee: **Sony Corporation**, Tokyo (JP)

(\*\*) Term: **14 Years**

(21) Appl. No.: **29/123,696**

(22) Filed: **May 24, 2000**

(51) **LOC (7) Cl.** ..... **16-01**

(52) **U.S. Cl.** ..... **D16/202**

(58) **Field of Search** ..... D16/200-206,  
D16/208, 218; 348/373-376; 358/906, 909.1;  
396/535-541

(56) **References Cited**

**U.S. PATENT DOCUMENTS**

D. 384,088	*	9/1997	Isozaki et al.	.....	D16/202
D. 410,478		6/1999	Miyashita	.....	D16/202
D. 411,847		7/1999	Miyashita	.....	D16/202
D. 416,270	*	11/1999	Harata	.....	D16/202
D. 416,570	*	11/1999	Hsueh	.....	D16/218
D. 417,683	*	12/1999	Miyashita	.....	D16/202

**OTHER PUBLICATIONS**

“92”, pp. 215 & 216, Sony, Jul. 1999.

“The Point Network 48”, pp. 5 & 39, Yodobashi Camera, Jun. 1999.

\* cited by examiner

*Primary Examiner*—Adir Aronovich

(74) *Attorney, Agent, or Firm*—Rader, Fishman & Grauer

(57) **CLAIM**

The ornamental design for an electronic still camera with a monitor, as shown and described.

**DESCRIPTION**

FIG. 1 is a perspective view of an electronic still camera with a monitor showing our design;

FIG. 2 is a top plan view thereof;

FIG. 3 is a bottom plan view thereof;

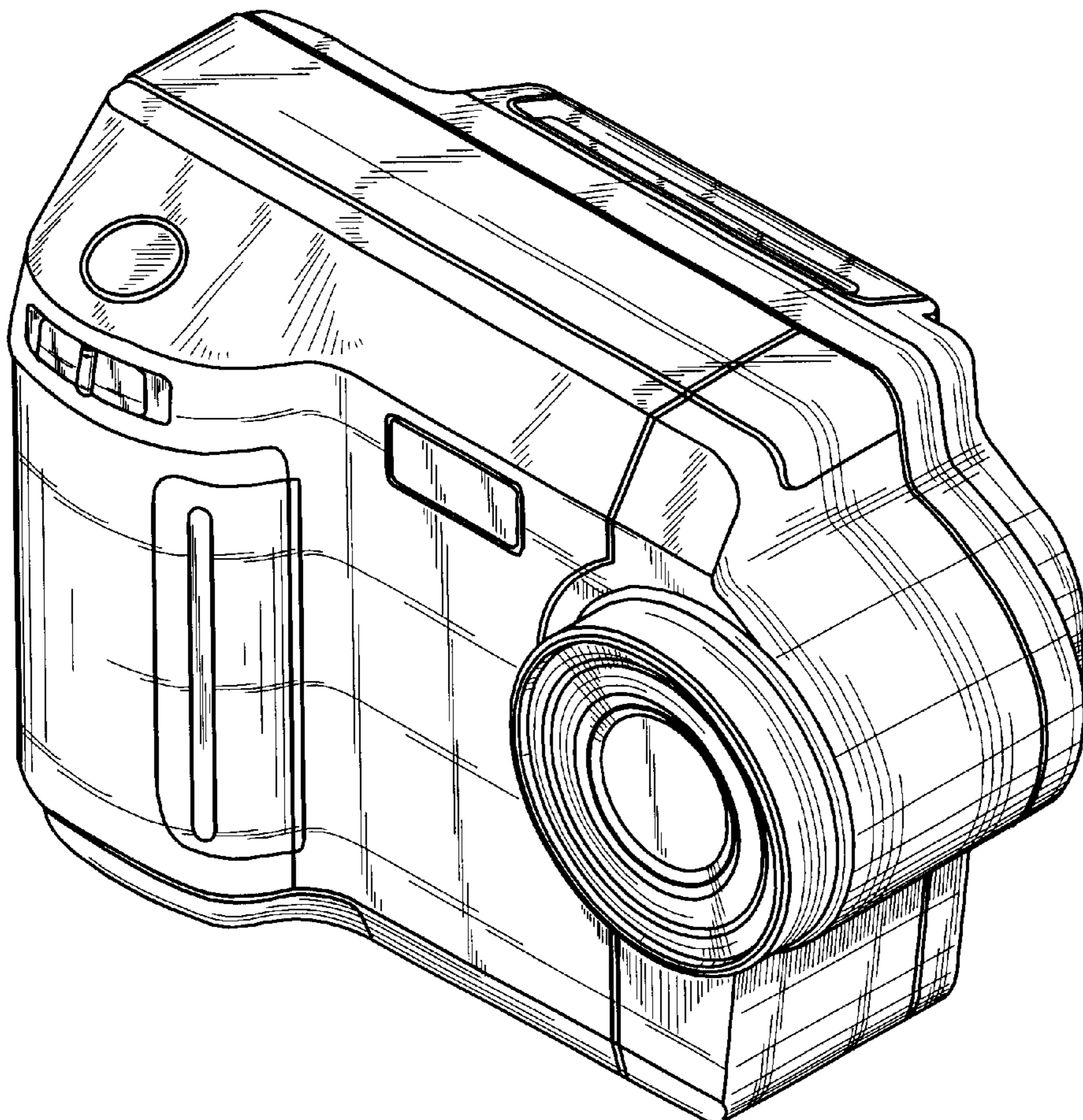
FIG. 4 is a left side elevational view thereof;

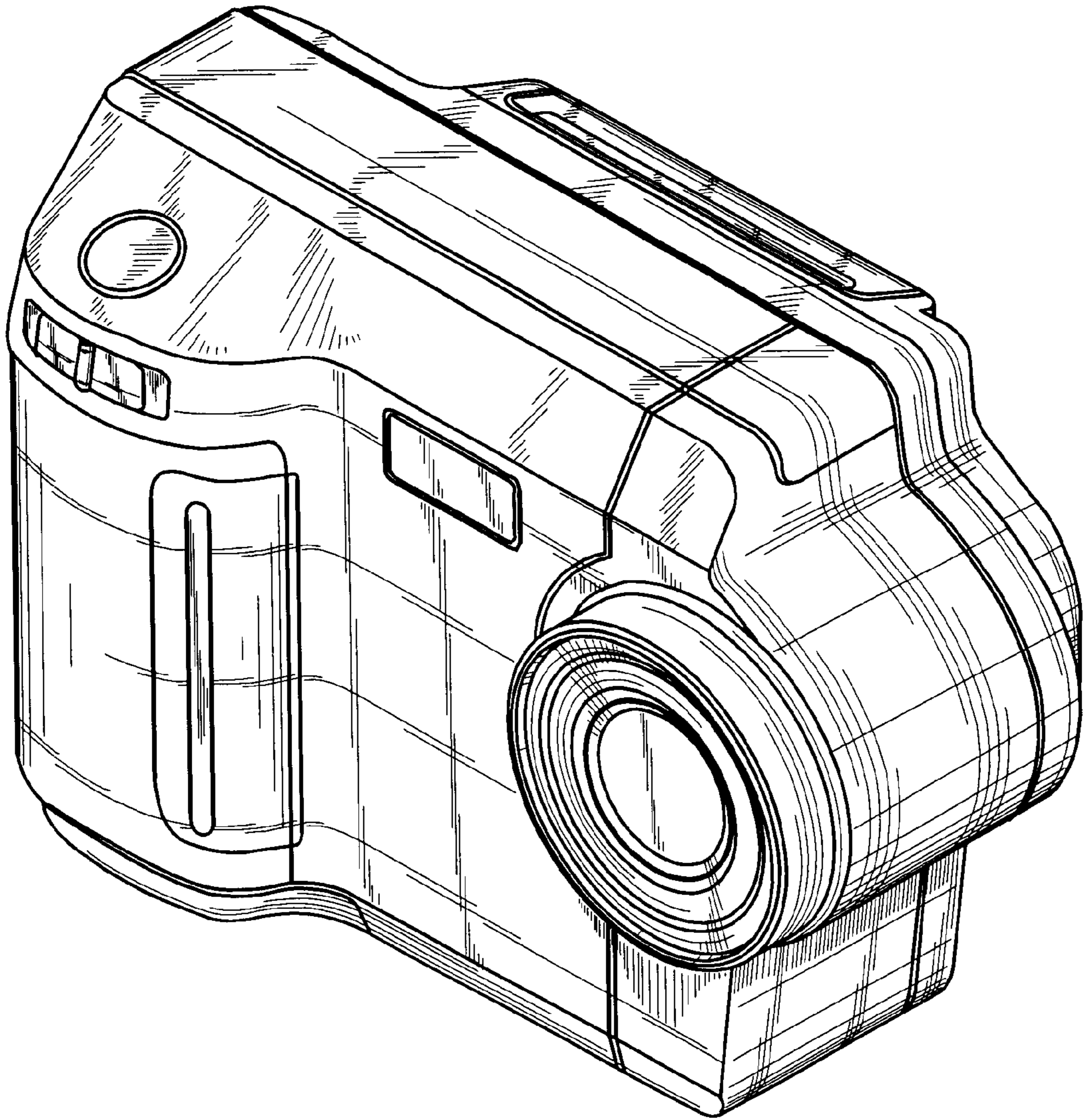
FIG. 5 is a right side elevational view thereof;

FIG. 6 is a front elevational view thereof; and,

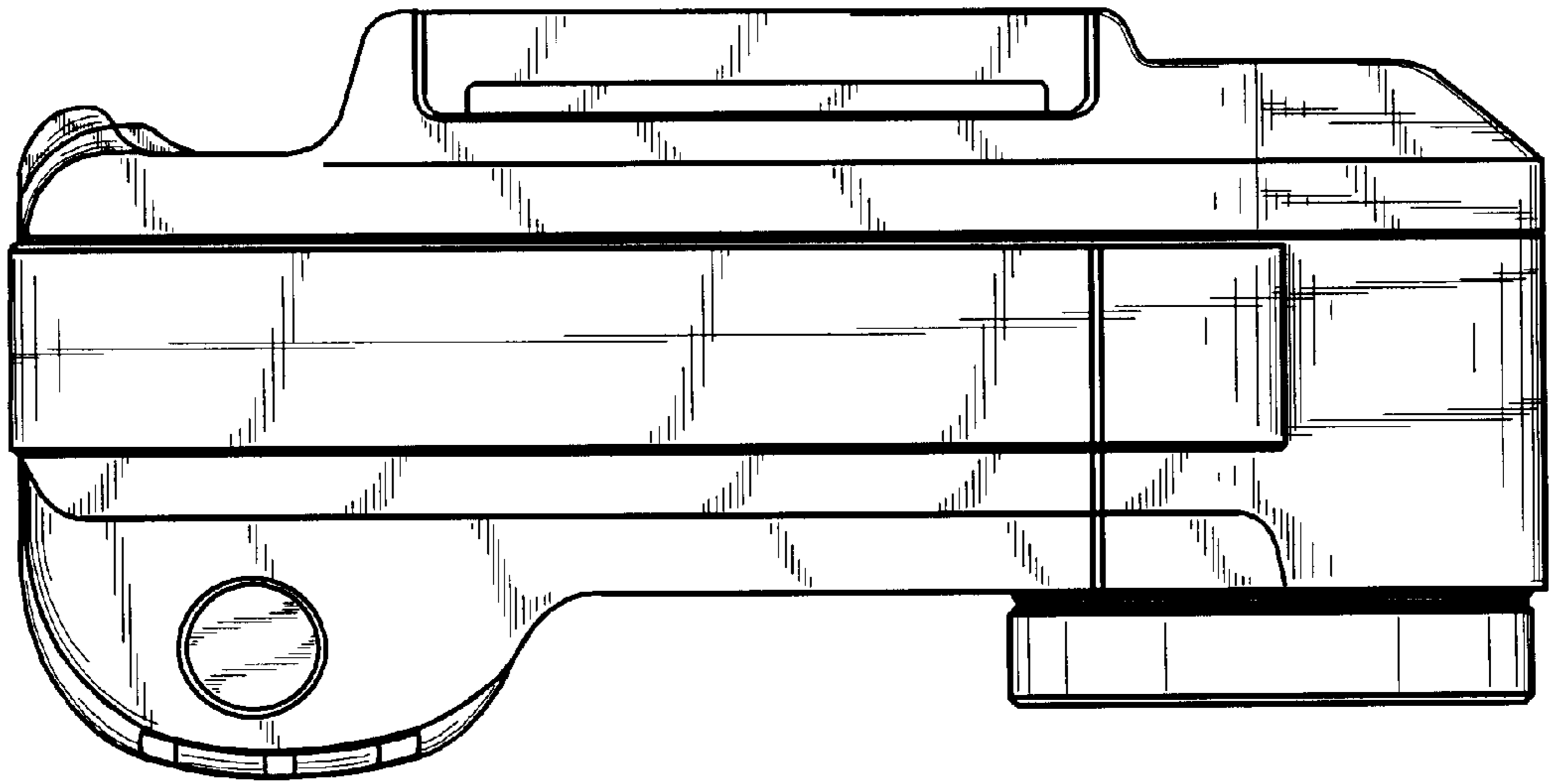
FIG. 7 is a rear elevational view thereof.

**1 Claim, 4 Drawing Sheets**

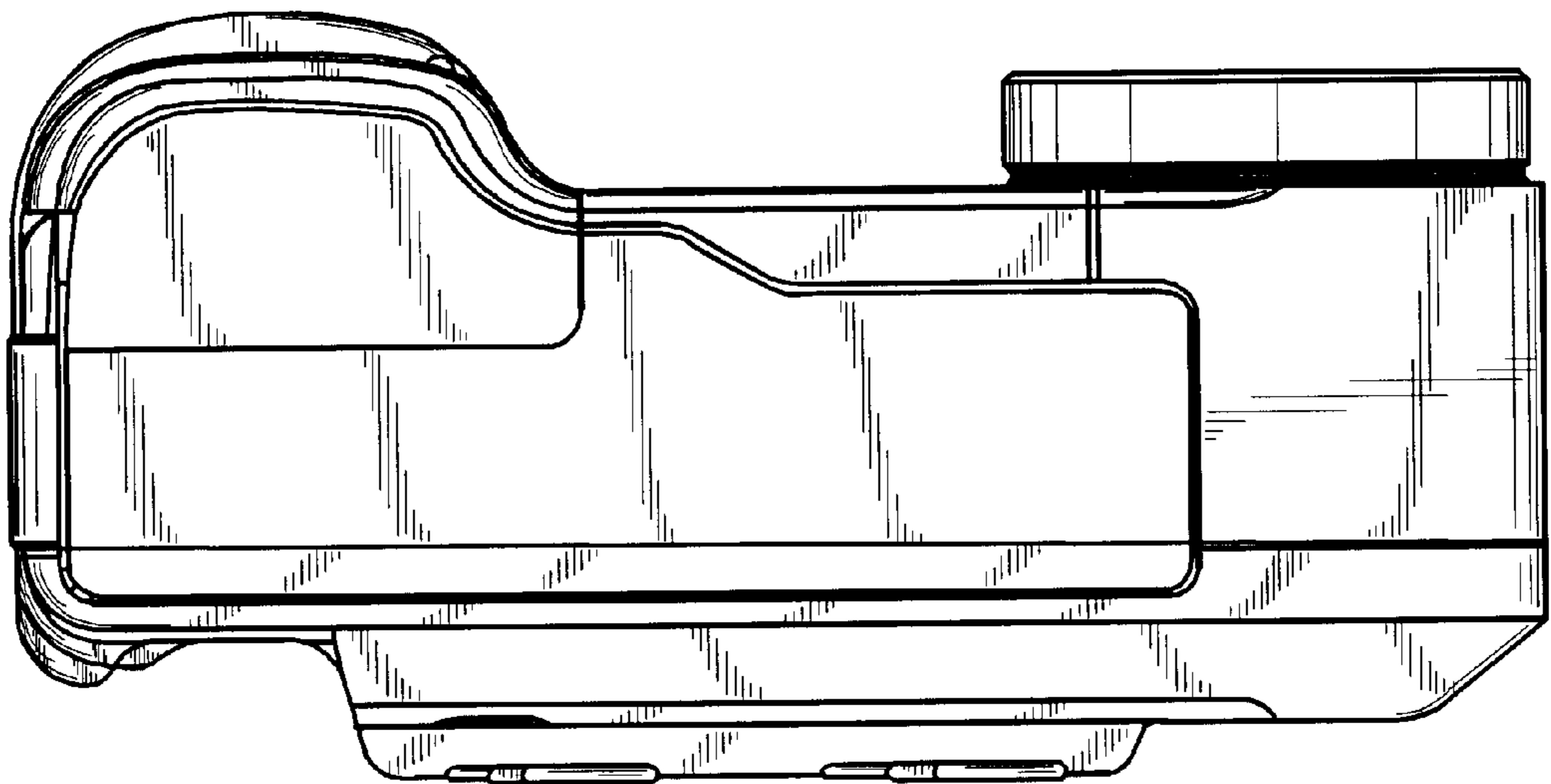




**Fig. 1**

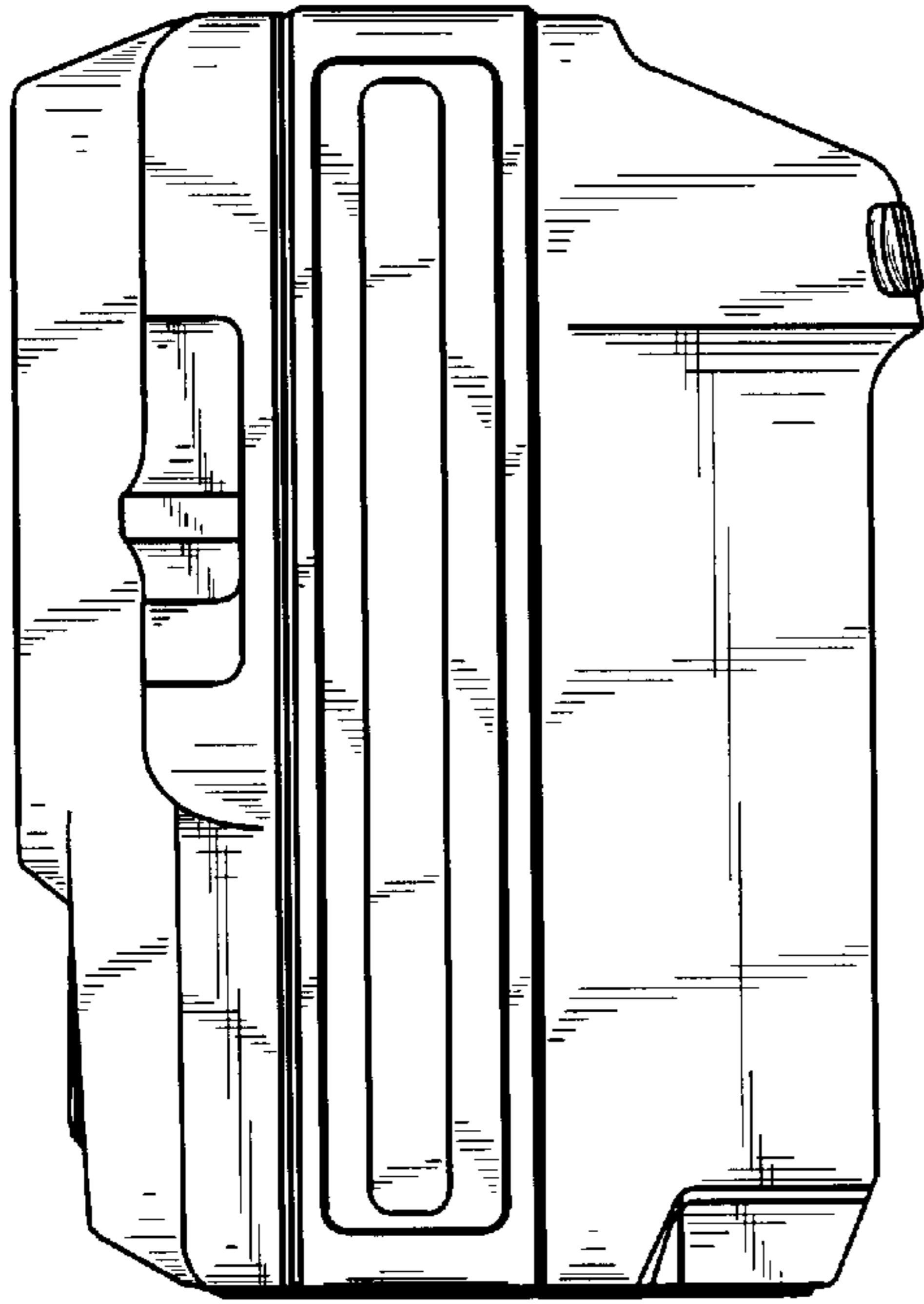


**Fig. 2**

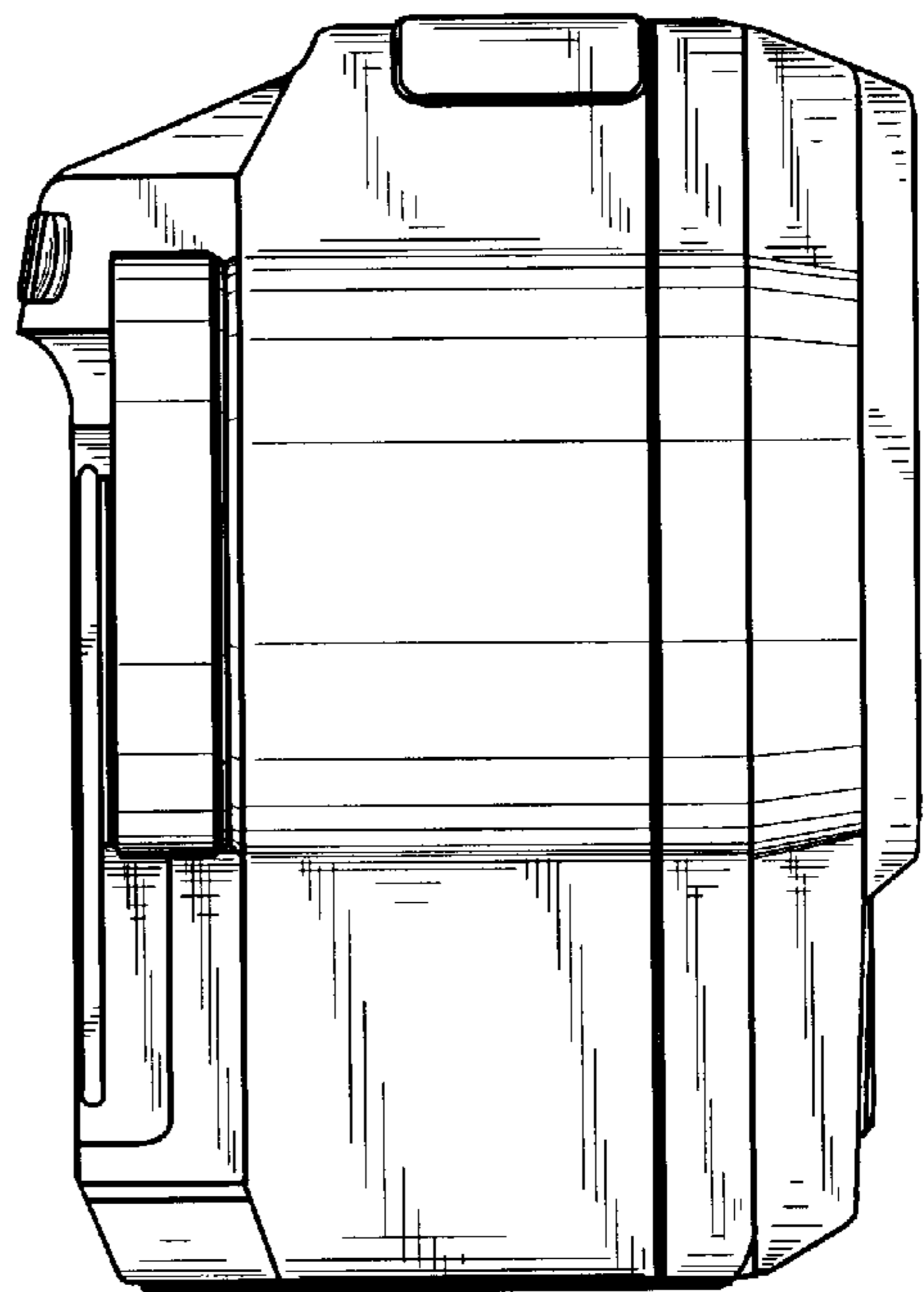


**Fig. 3**

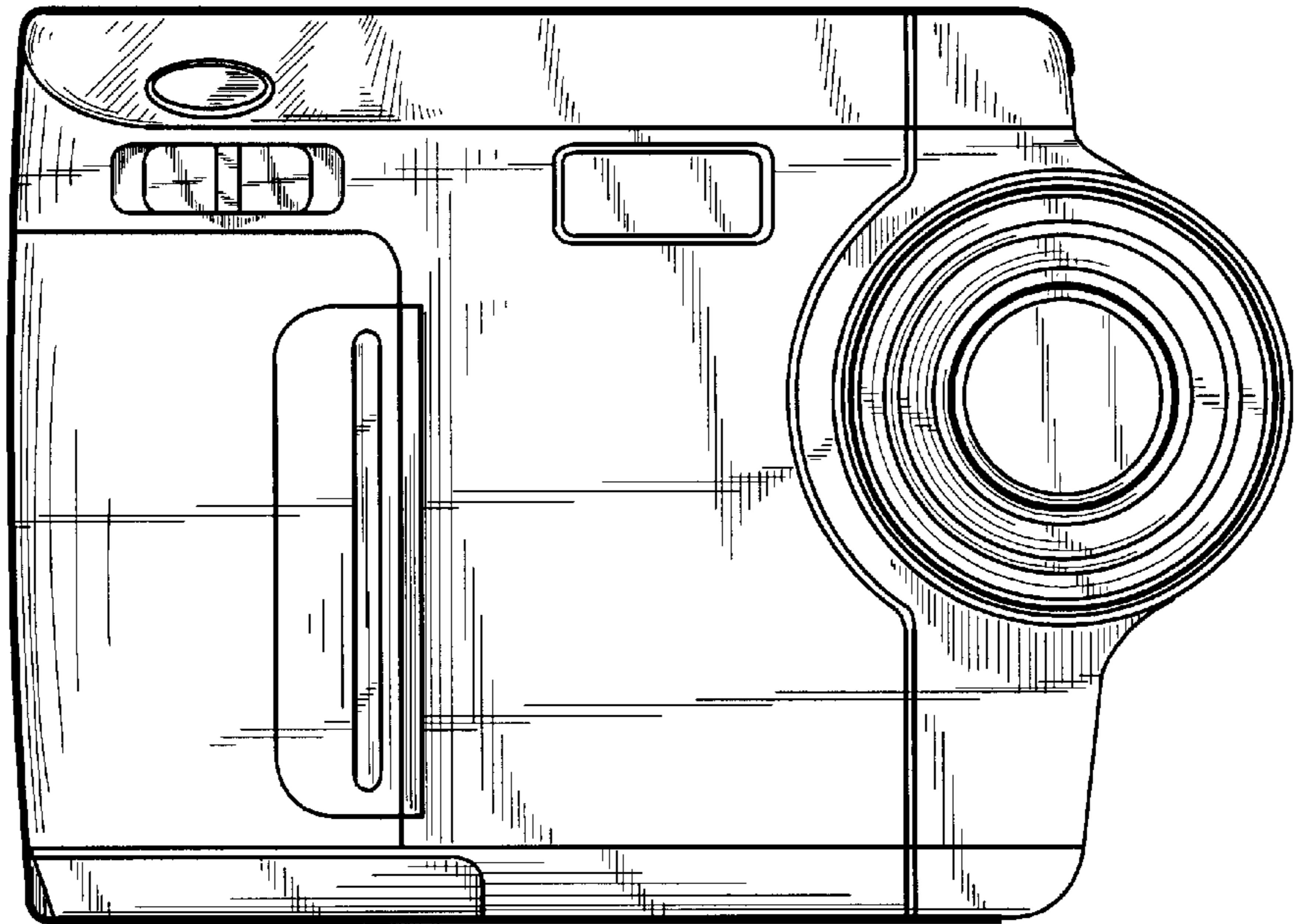




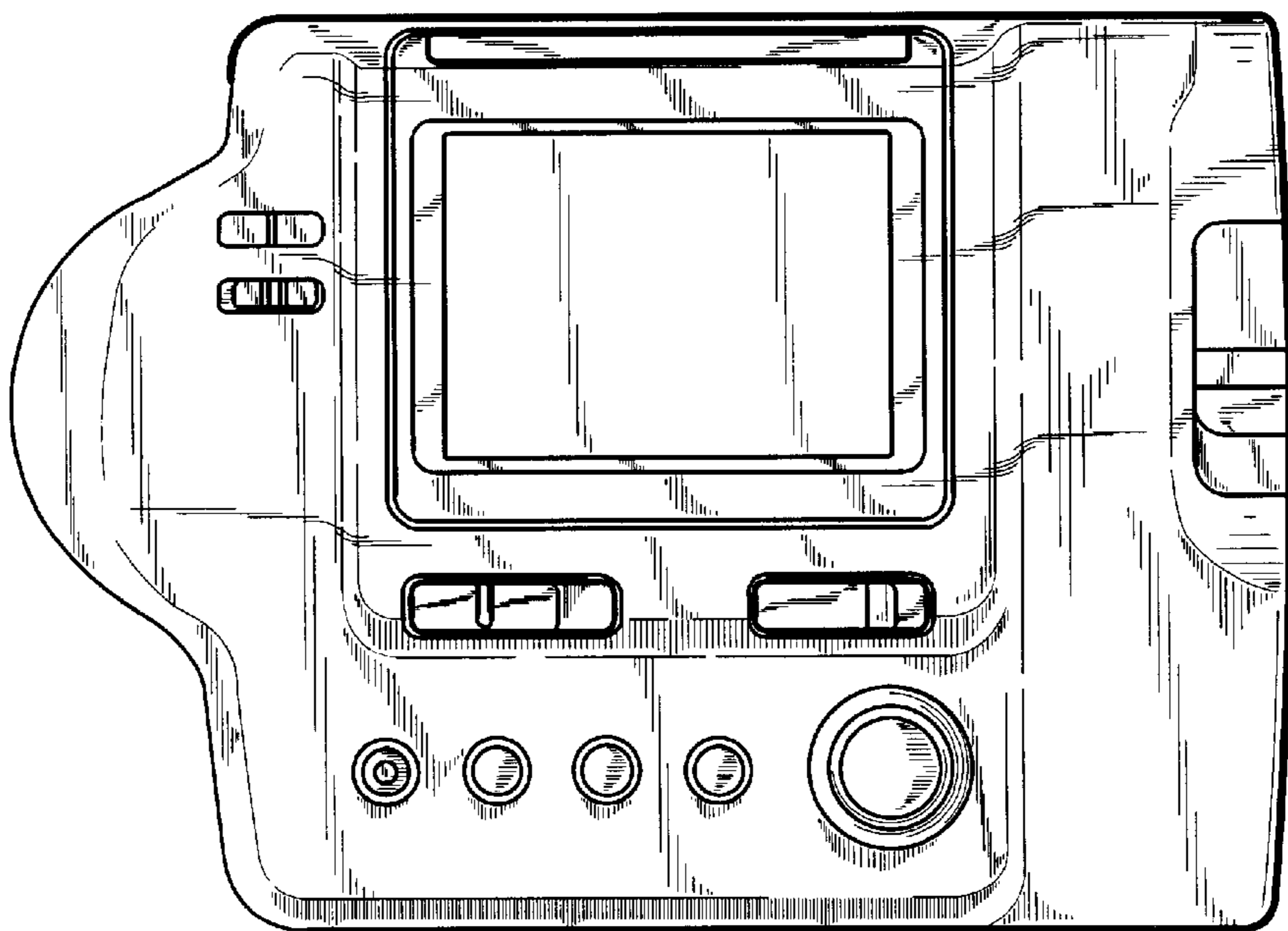
**Fig. 4**



**Fig. 5**



**Fig. 6**



**Fig. 7**