



US00D445435S

(12) **United States Design Patent**
Chiang

(10) **Patent No.:** **US D445,435 S**

(45) **Date of Patent:** **** Jul. 24, 2001**

(54) **WOOD PLANING MACHINE**

(76) Inventor: **Pei-Lieh Chiang**, No. 12, Nan-Ping Rd., Nan Dist., Taichung City (TW)

(**) Term: **14 Years**

(21) Appl. No.: **29/132,546**

(22) Filed: **Oct. 12, 2000**

(51) **LOC (7) Cl.** **15-09**

(52) **U.S. Cl.** **D15/127**

(58) **Field of Search** D15/127; 144/114.1,
144/116, 117.1, 129, 130

(56) **References Cited**

U.S. PATENT DOCUMENTS

D. 323,833	*	2/1992	Brickner	D15/127
5,957,173	*	9/1999	Garcia	144/117.1
6,131,628	*	10/2000	Chiang	144/130

* cited by examiner

Primary Examiner—Antoine Duval Davis

(74) *Attorney, Agent, or Firm*—Morgan, Lewis & Bockius LLP

(57) **CLAIM**

The ornamental design for a wood planing machine, as shown and described.

DESCRIPTION

FIG. 1 is a perspective view of wood planing machine showing the new design;

FIG. 2 is a front elevational view thereof;

FIG. 3 is a rear elevational view thereof;

FIG. 4 is a left side elevational view thereof;

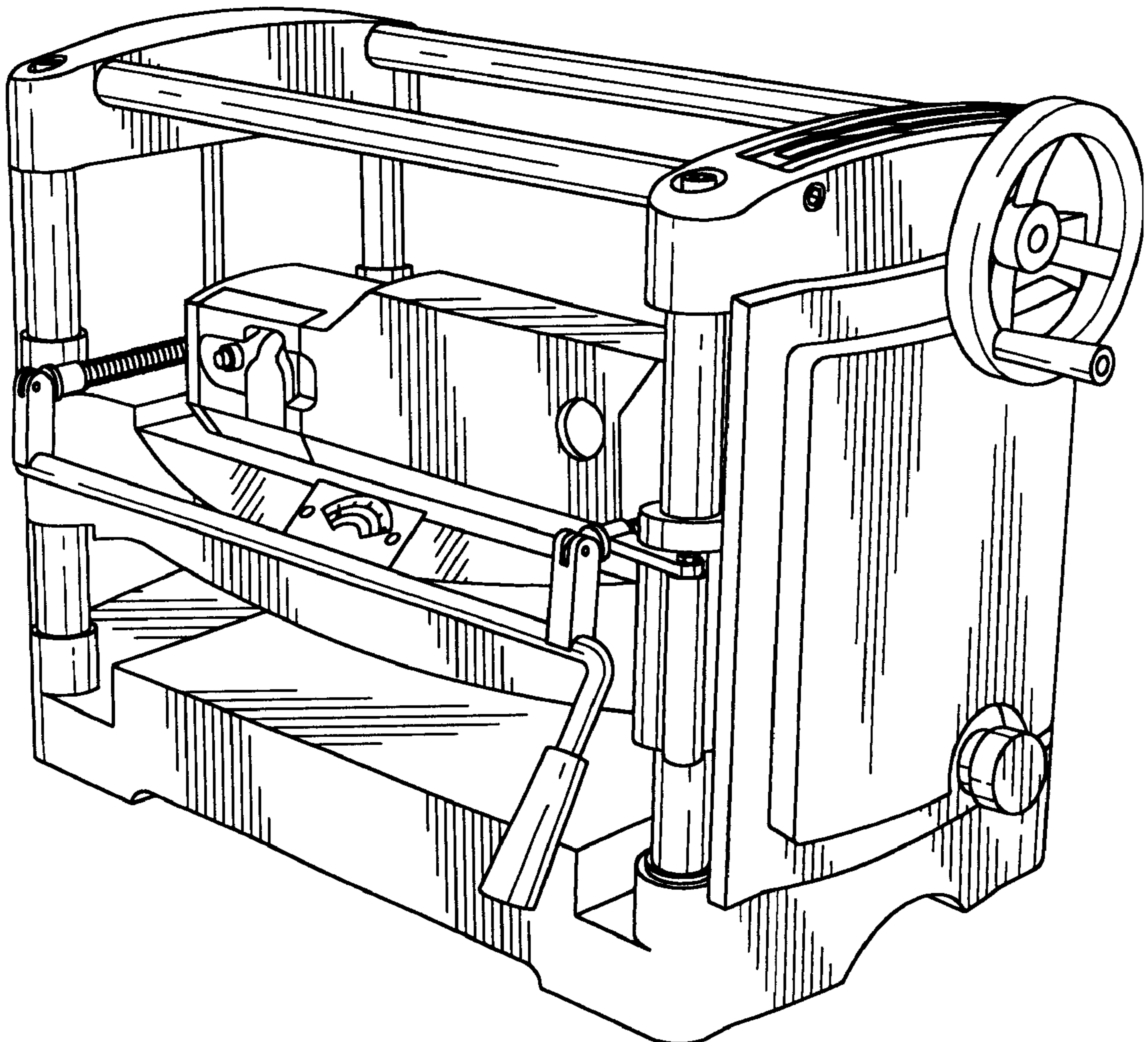
FIG. 5 is a right side elevational view thereof;

FIG. 6 is a top plan view thereof;

FIG. 7 is a bottom plan view thereof; and,

FIG. 8 is another perspective view in use.

1 Claim, 8 Drawing Sheets



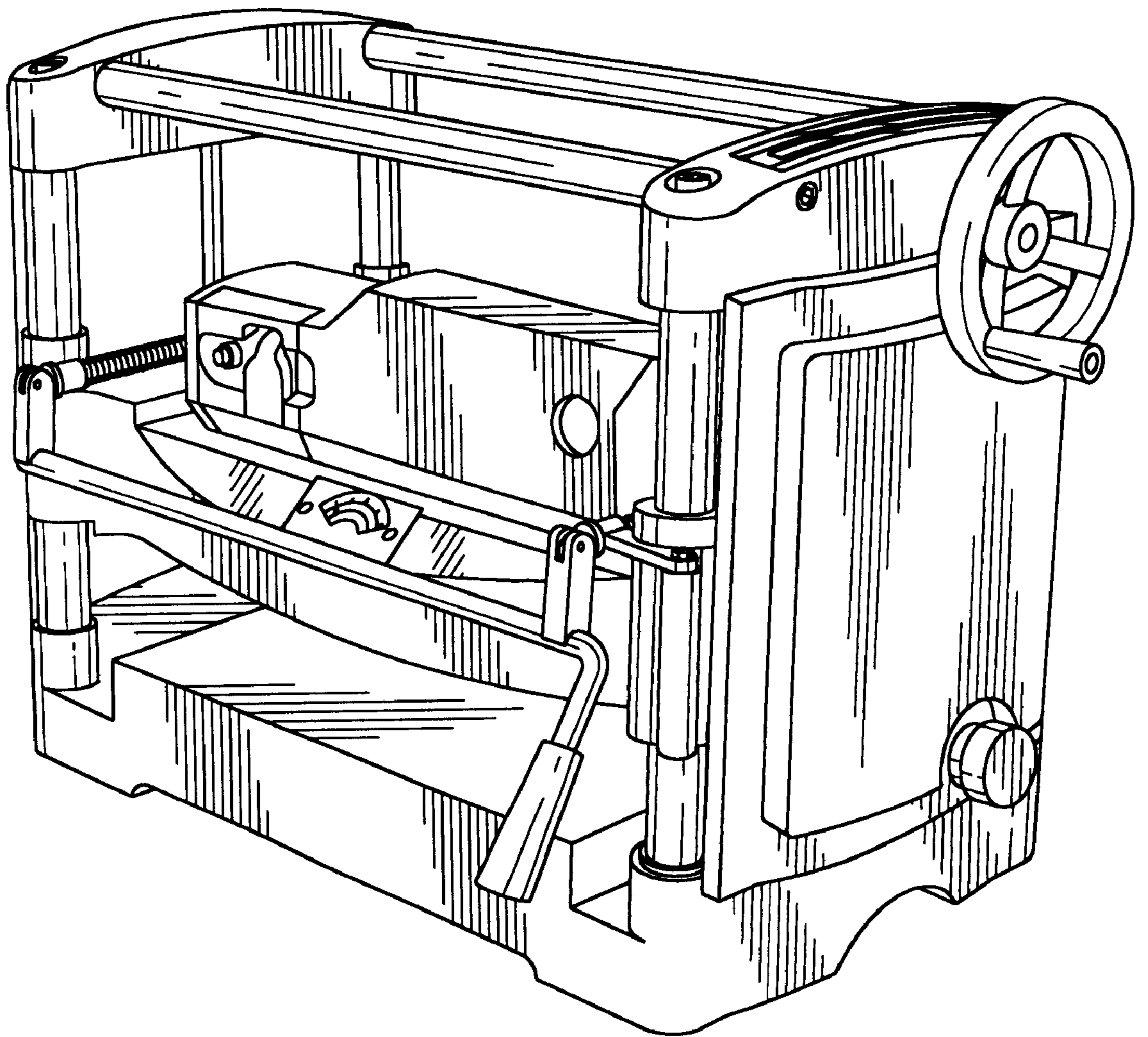


FIG. 1

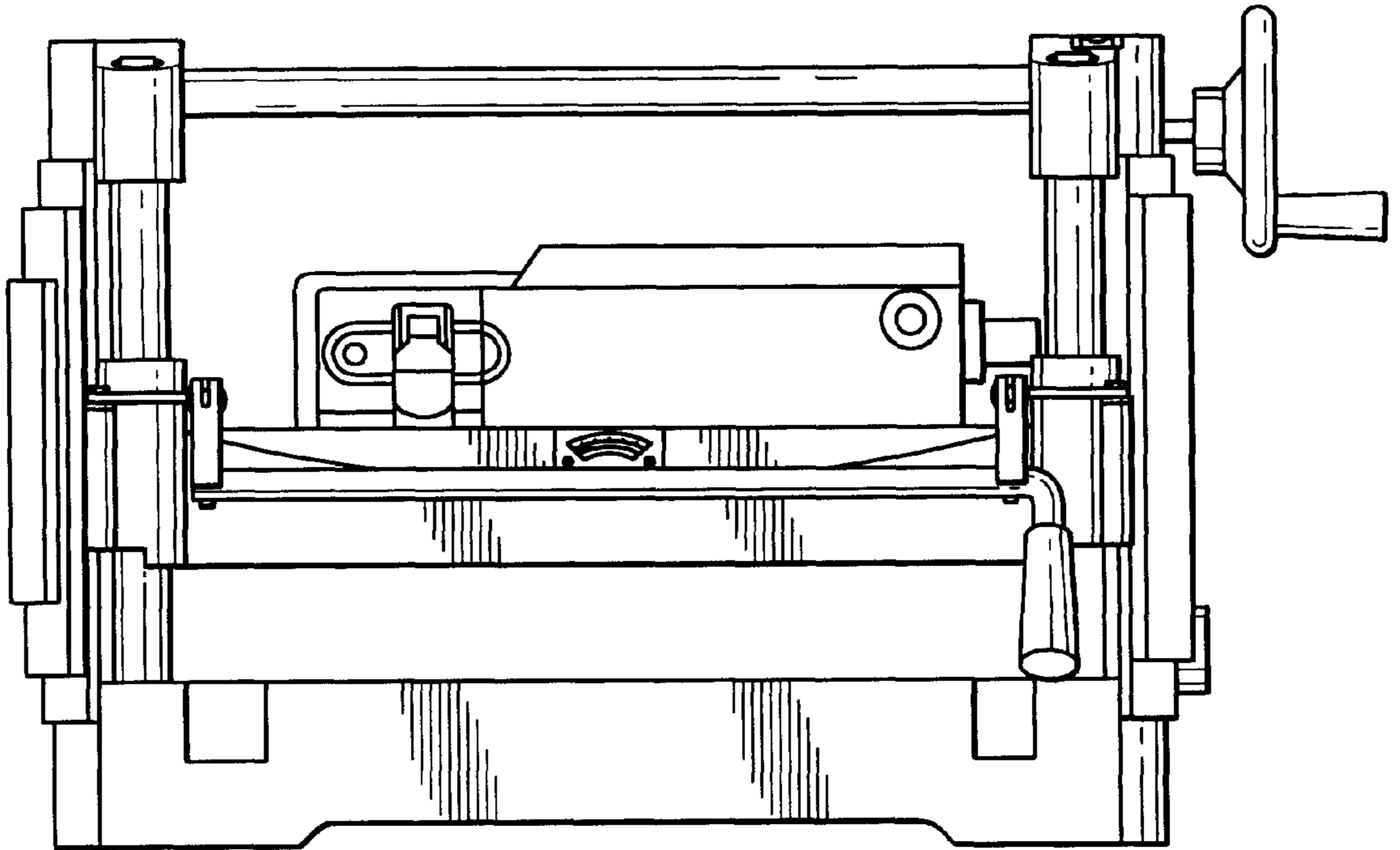


FIG. 2

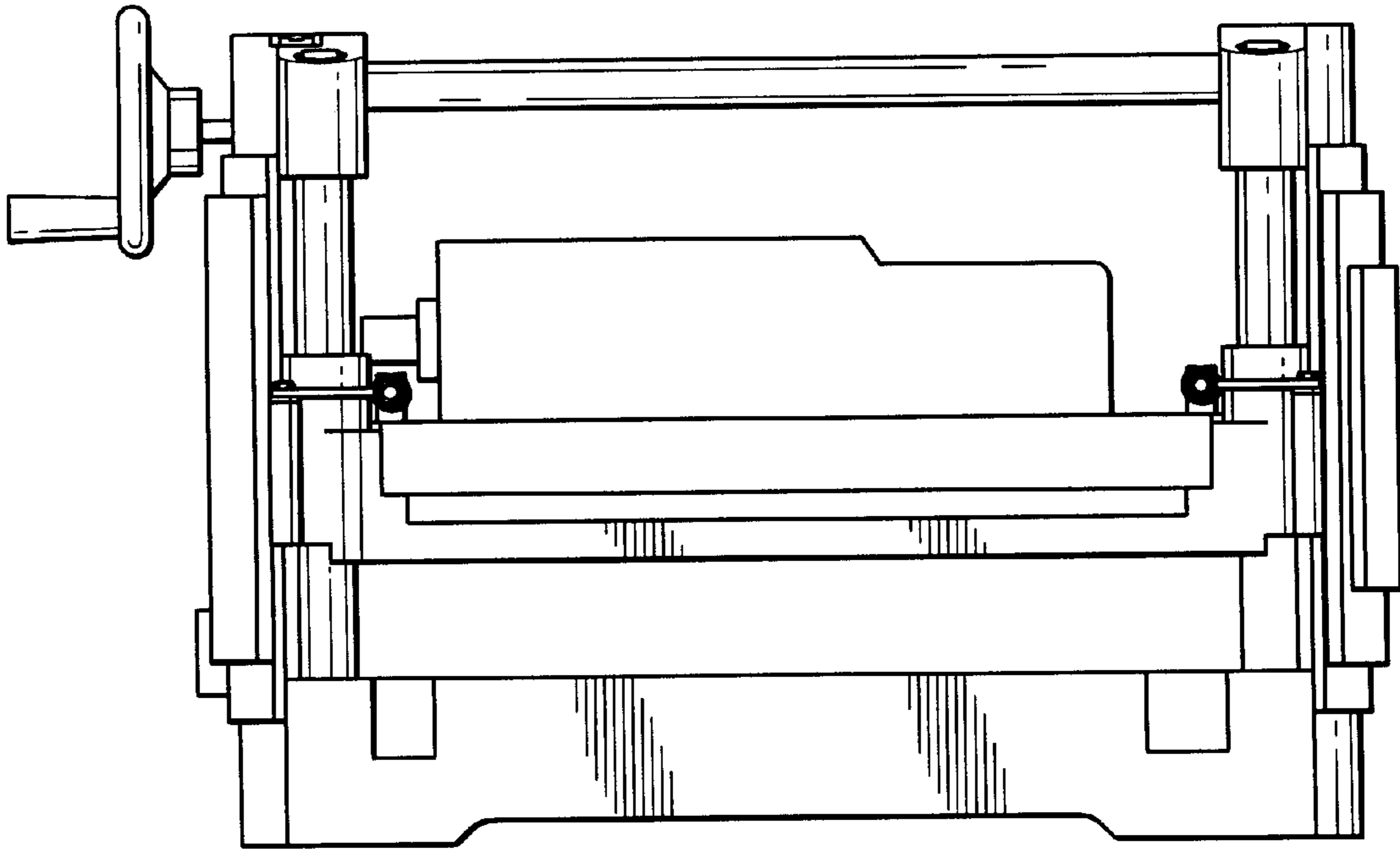


FIG. 3

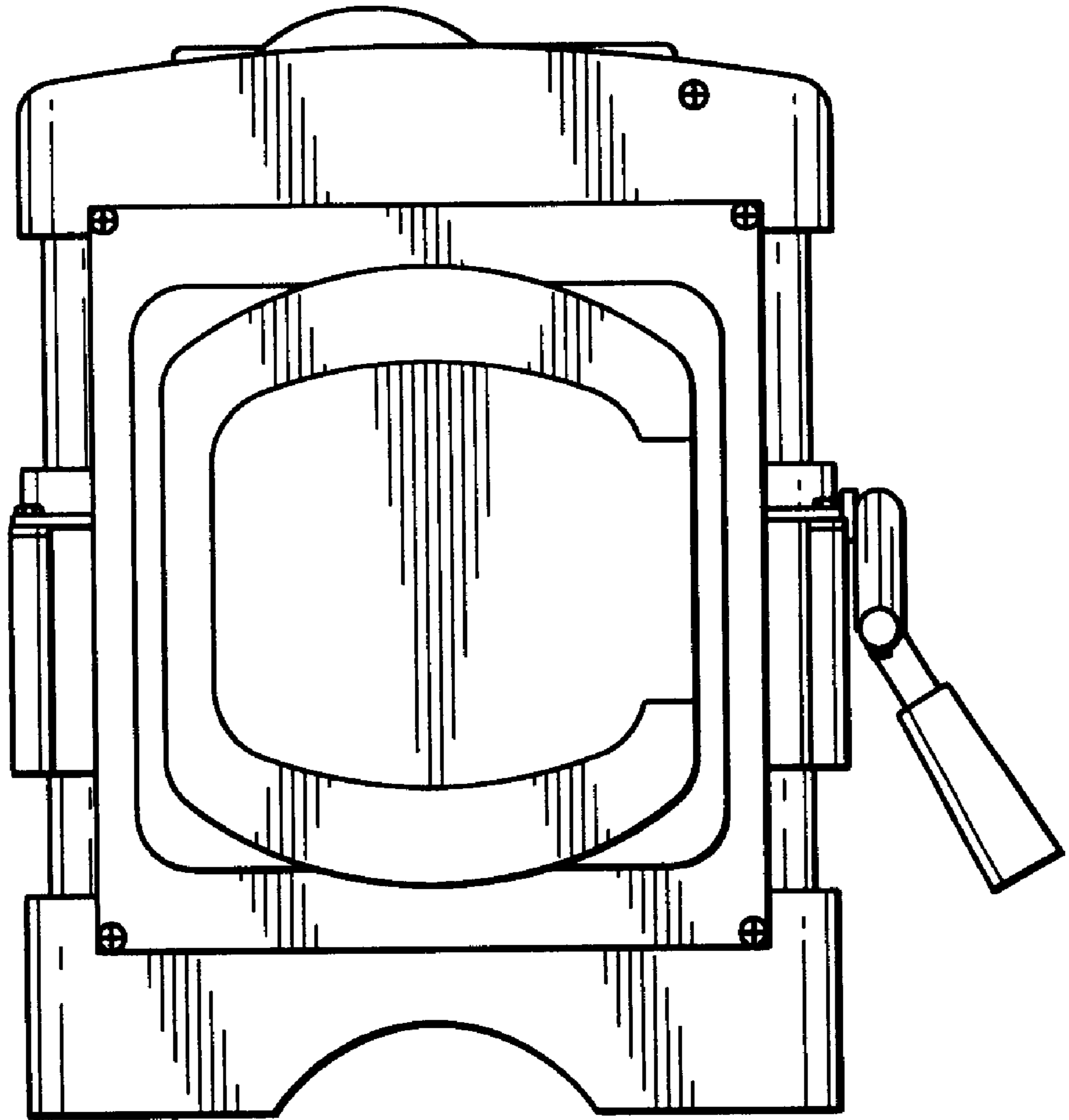


FIG. 4

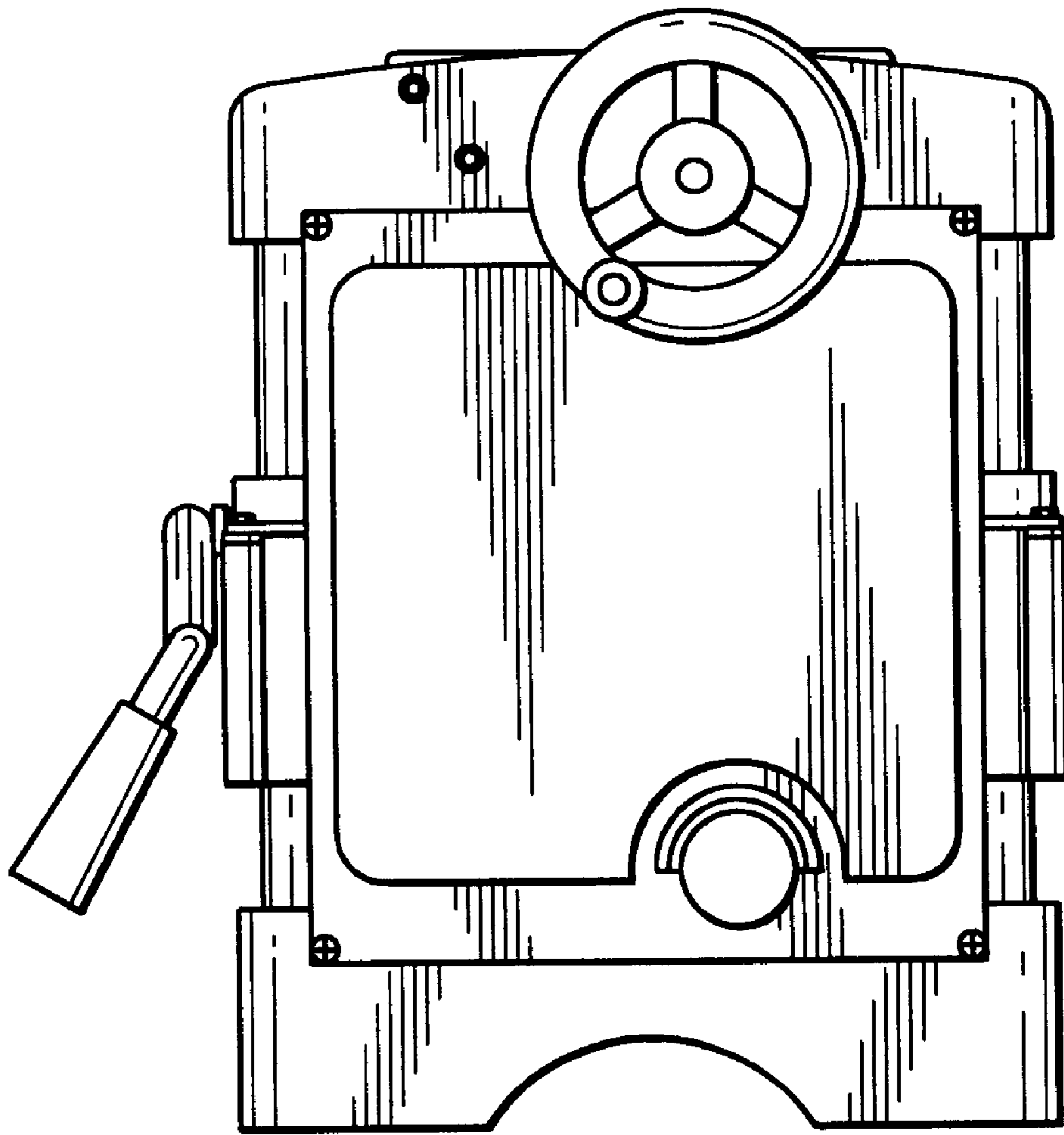


FIG. 5

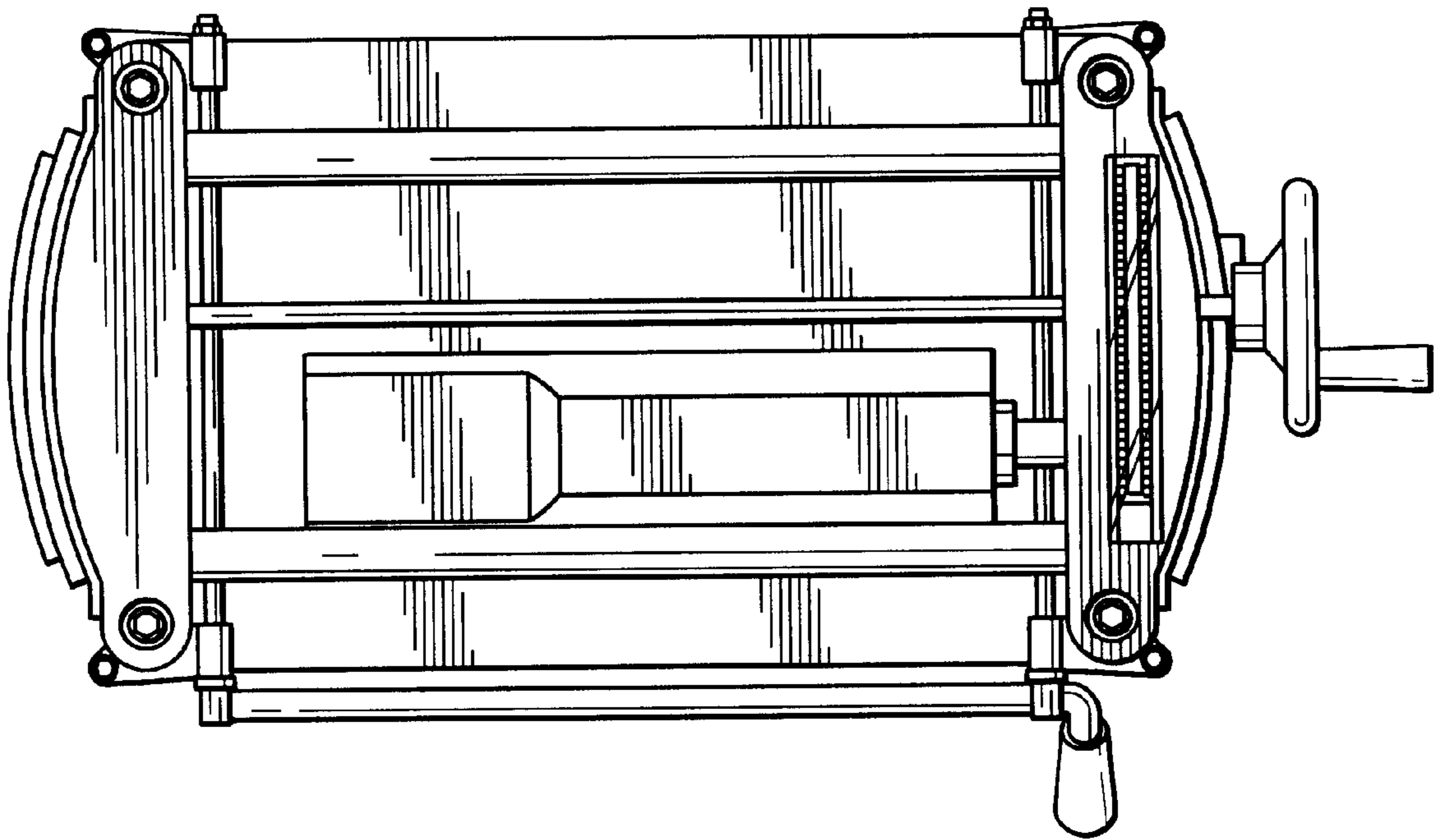


FIG. 6

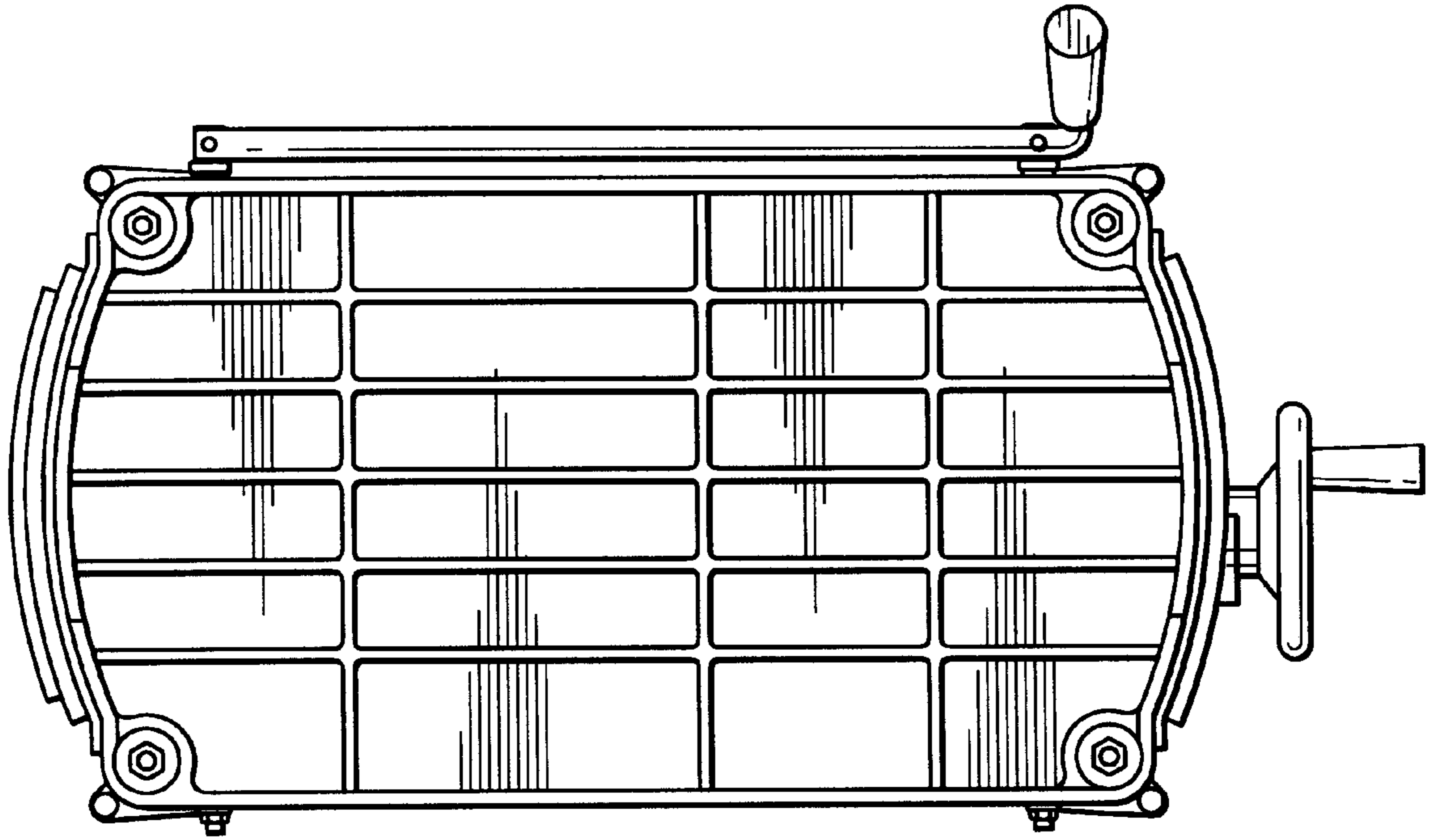


FIG. 7

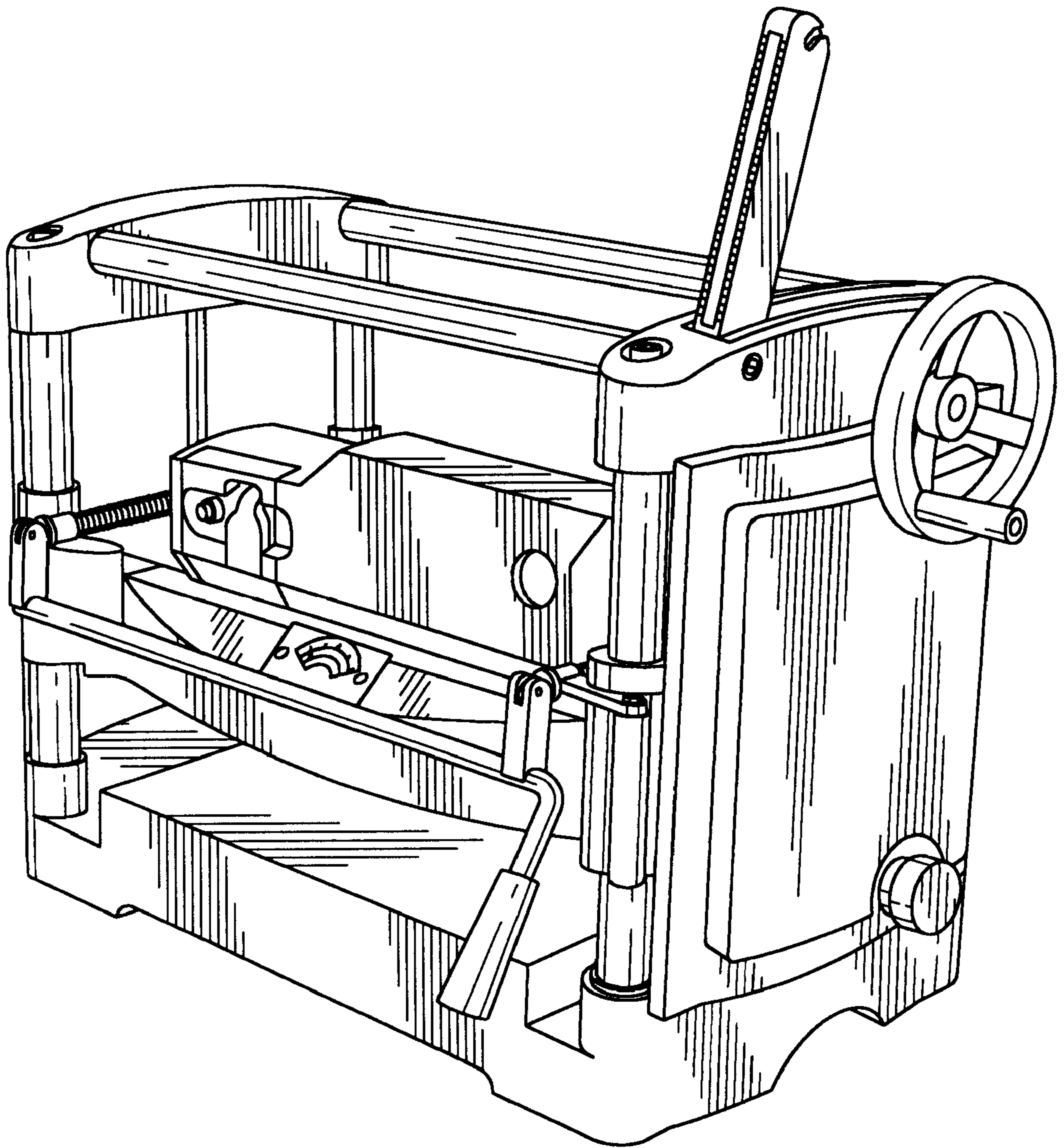


FIG. 8