



US00D445432S

(12) **United States Design Patent** (10) **Patent No.:** **US D445,432 S**
Bickford (45) **Date of Patent:** **** Jul. 24, 2001**

(54) **EXTERIOR OF THE REAR PORTION OF A GROOMING MOWER DECK**

(75) Inventor: **Richard E. Bickford**, Lindsborg, KS (US)

(73) Assignee: **Great Plains Manufacturing, Incorporated**, Salina, KS (US)

(**) Term: **14 Years**

(21) Appl. No.: **29/122,233**

(22) Filed: **Apr. 24, 2000**

Related U.S. Application Data

(63) Continuation of application No. 29/100,765, filed on Feb. 16, 1999, now Pat. No. Des. 424,071.

(51) **LOC (7) Cl.** **15-03**

(52) **U.S. Cl.** **D15/27**

(58) **Field of Search** D15/10, 14-17, D15/26, 27, 28; 56/6, 15.2, 15.6, 16.7, 17.1, 320.1, 320.2

(56) **References Cited**

U.S. PATENT DOCUMENTS

D. 206,756	*	1/1967	Bottenberg	D15/17
D. 227,498	*	6/1973	McCanse	D15/17
D. 344,738	*	3/1994	Young	D15/27
D. 345,168	*	3/1994	Cook et al.	D15/27
D. 394,662	*	5/1998	Grow	D15/27
3,369,350	*	2/1968	Rogers et al.	56/15.2
4,854,112	*	8/1989	Holley et al.	56/6
4,912,915	*	4/1990	Smit	56/6
5,241,808	*	9/1993	Colistro	56/6
5,816,025	*	10/1998	Schick	56/15.2

OTHER PUBLICATIONS

John Deere Front Mowers, F1145/F900 Series, p. 7, side-discharge mower.*

Landpride New Product Bulletin entitled 35 Series Rotary Cutters 8' and 10' Widths (publication believed to be prior to Feb., 1998).

Landpride New Product Bulletin entitled "Heavy Duty 15' Rotary Cutter 50-180 HP" (publication believed to be prior to Feb. 1998).

Landpride Brochure No. BAC 15615/1096 (publication date believed to be Oct., 1996).

* cited by examiner

Primary Examiner—Sandra L. Morris

(74) *Attorney, Agent, or Firm*—Hovey, Williams, Timmons & Collins

(57) **CLAIM**

The ornamental design for the exterior of the rear portion of a grooming mower deck, as shown and described.

DESCRIPTION

FIG. 1 is a top left rear perspective view of the exterior of the rear portion of a grooming mower deck embodying our design in accordance with the present invention, the broken lines indicating environmental structure not forming a part of our design;

FIG. 2 is a top plan view thereof, the broken lines indicating environmental structure not forming a part of our design;

FIG. 3 is a rear elevational view thereof, the broken lines indicating environmental structure not forming a part of our design;

FIG. 4 is a right side elevational view thereof, the broken lines indicating environmental structure not forming a part of our design; and,

FIG. 5 is a left side elevational view thereof, the broken lines indicating environmental structure not forming a part of our design.

1 Claim, 4 Drawing Sheets

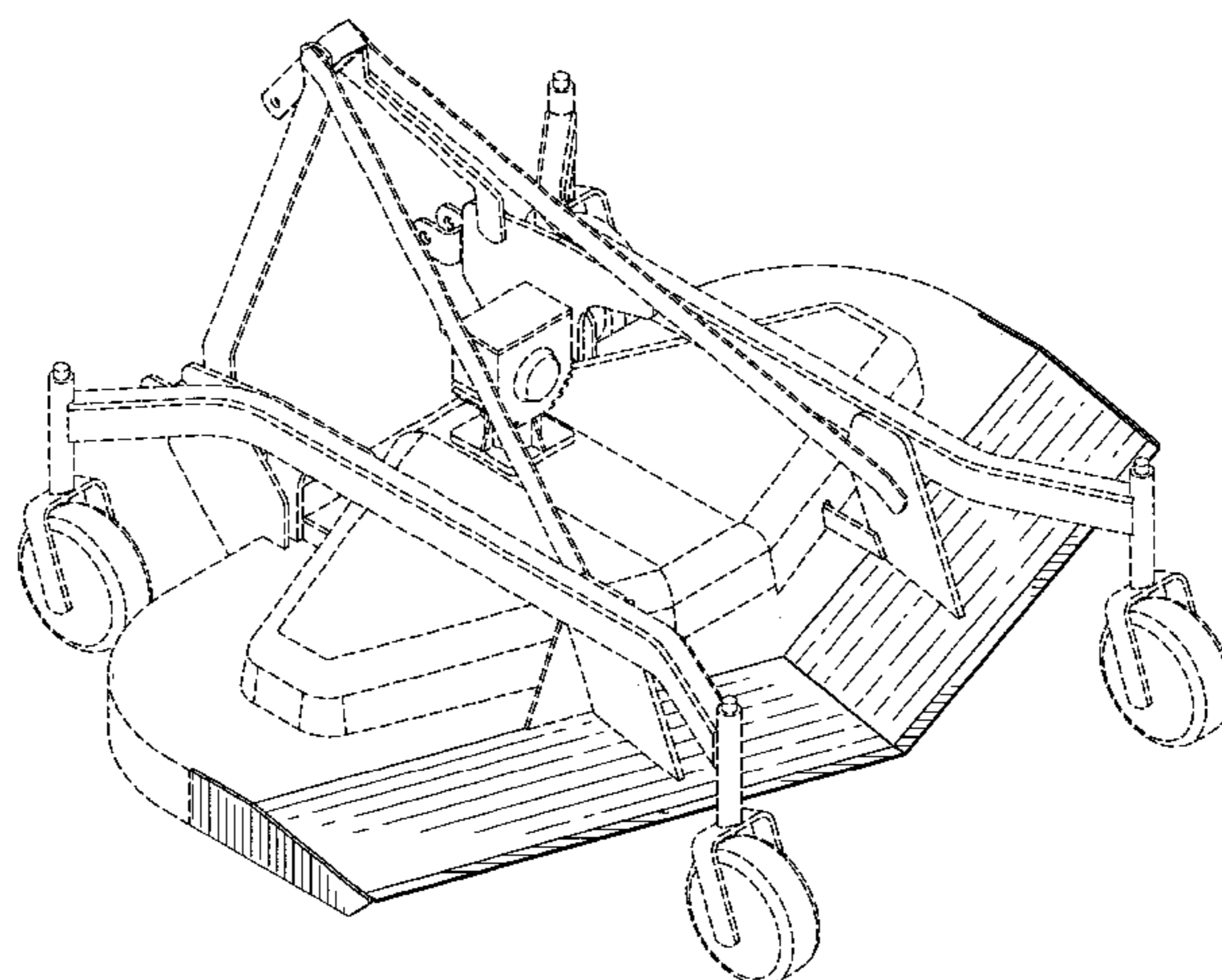
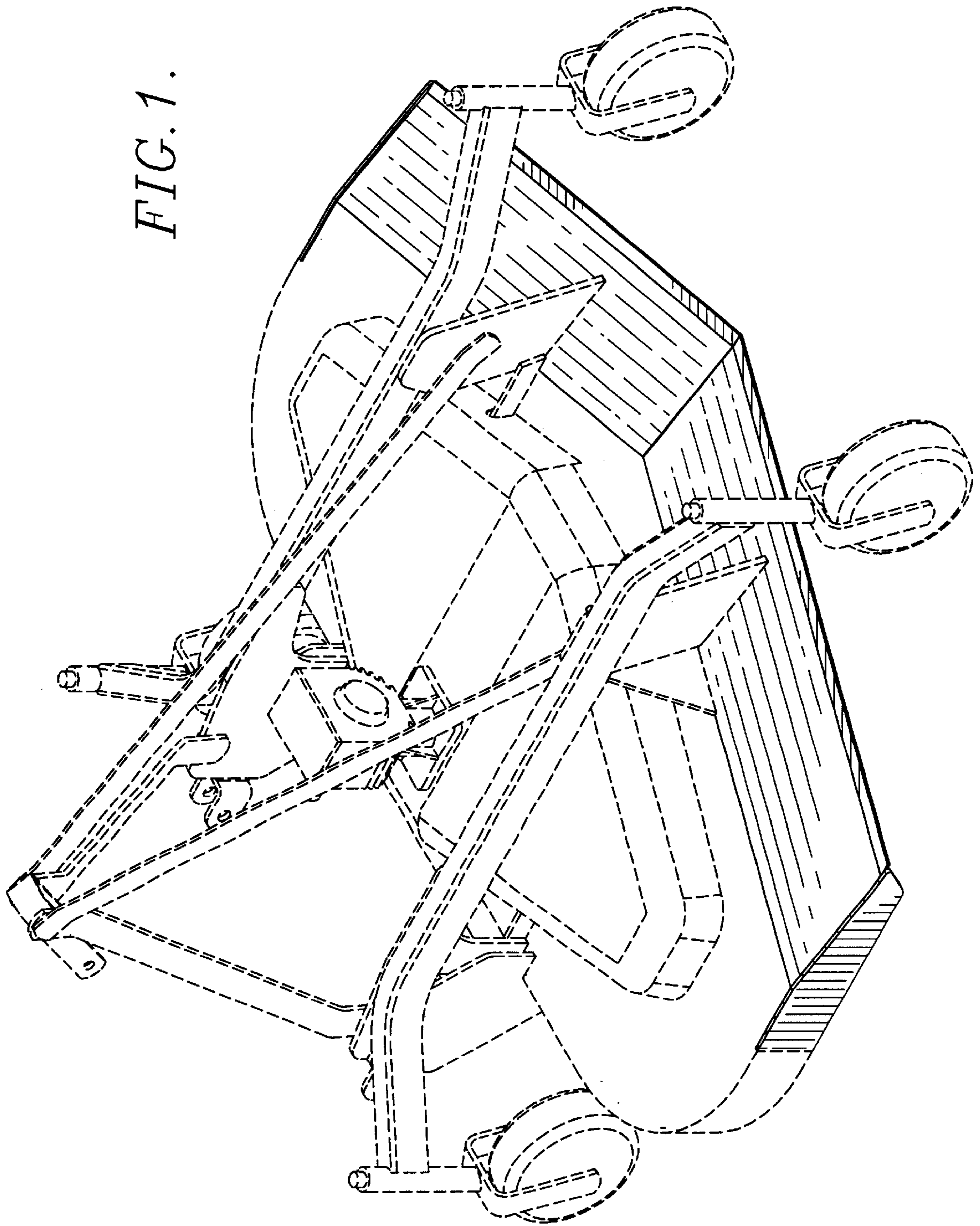


FIG. 1.



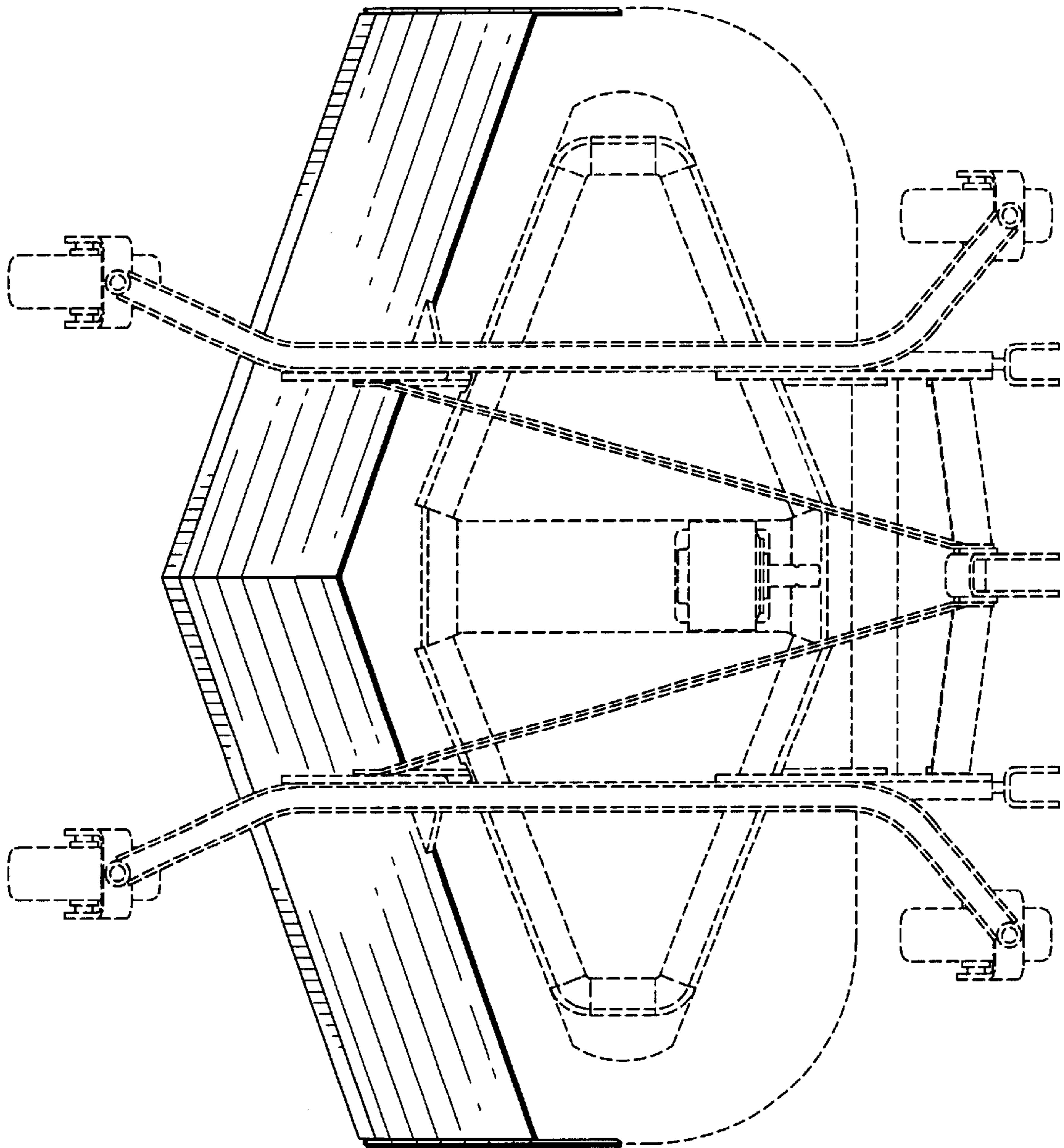


FIG. 2.

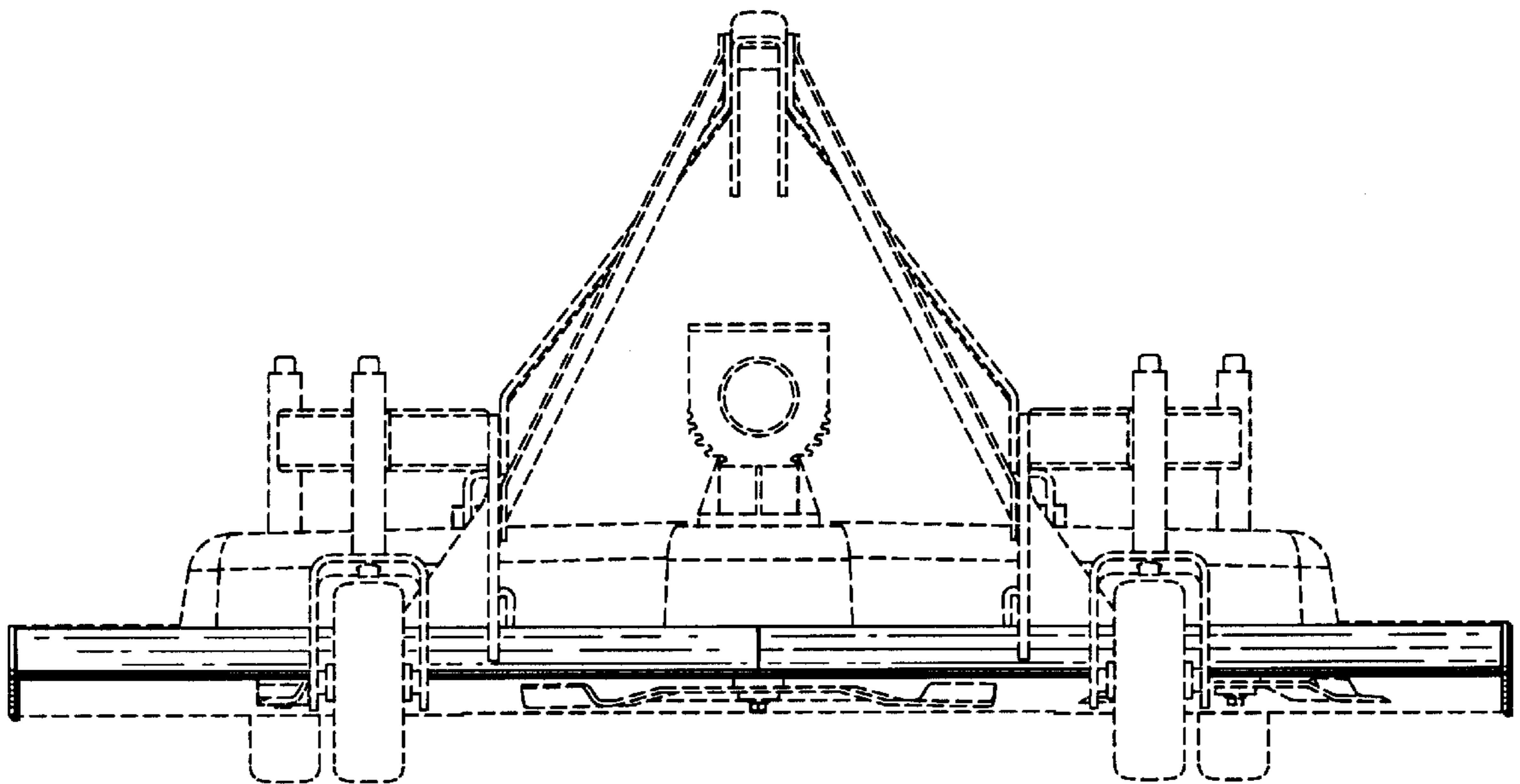


FIG. 3.

FIG. 4.

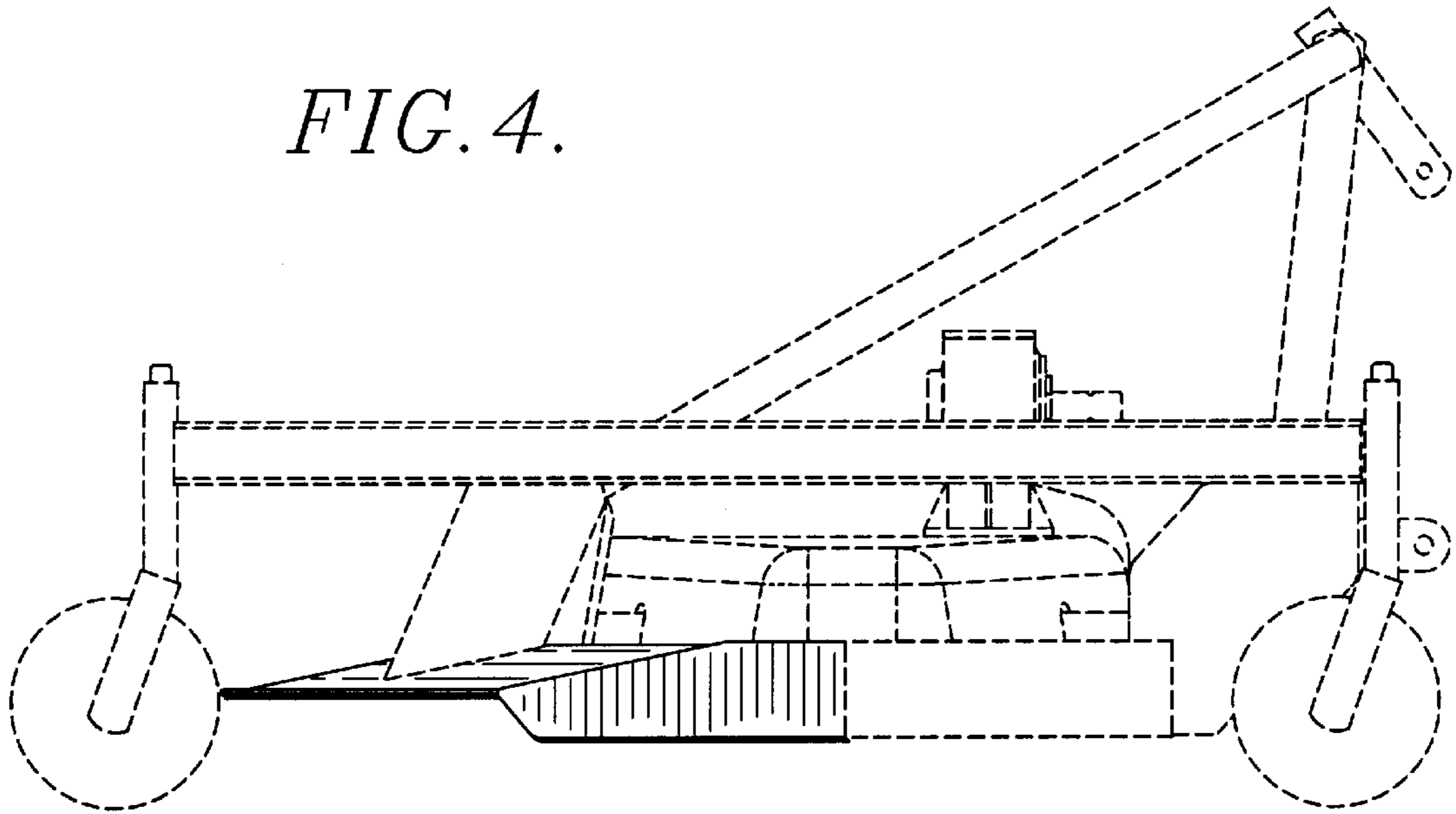


FIG. 5.

