



US00D445431S

(12) **United States Design Patent**
Yokoyama et al.

(10) **Patent No.:** **US D445,431 S**

(45) **Date of Patent:** **** Jul. 24, 2001**

(54) **EXHAUST GAS RECIRCULATION VALVE**

(75) Inventors: **Hisashi Yokoyama; Takeshi Ikai;**
Yasuhiko Kato; Toshihiko Miyake, all
of Tokyo (JP)

(73) Assignee: **Mitsubishi Denki Kabushiki Kaisha**,
Tokyo (JP)

(**) Term: **14 Years**

(21) Appl. No.: **29/120,212**

(22) Filed: **Mar. 13, 2000**

(30) **Foreign Application Priority Data**

Sep. 20, 1999 (JP) 11-25321

(51) **LOC (7) Cl.** **15-01**

(52) **U.S. Cl.** **D15/5**

(58) **Field of Search** D15/1-5; 137/338;
251/129.05, 129.11, 129.12; 123/568.2,
568.11, 571

(56) **References Cited**

U.S. PATENT DOCUMENTS

5,680,880	10/1997	Miyake et al.	137/338
5,718,259	2/1998	Miyake et al.	137/338
5,975,118	* 11/1999	Ulicny et al.	137/338
6,164,269	* 12/2000	Feucht et al.	123/568.11
6,193,211	* 2/2001	Watanabe et al.	251/129.11

* cited by examiner

Primary Examiner—Melody N. Brown

(74) *Attorney, Agent, or Firm*—Oblon, Spivak, McClelland,
Maier & Neustadt, P.C.

(57) **CLAIM**

The ornamental design for an exhaust gas recirculation valve, as shown.

DESCRIPTION

FIG. 1 is a front, top and right side perspective view of an exhaust gas recirculation valve, showing our new design; FIG. 2 is a front elevational view thereof; FIG. 3 is a rear elevational view thereof; FIG. 4 is a top plan view thereof; FIG. 5 is a bottom plan view thereof; FIG. 6 is a left side elevational view thereof; FIG. 7 is a right side elevational view thereof; FIG. 8 is an enlarged cross-sectional view thereof, taken along line 8—8 of FIG. 2, with the internal system omitted; FIG. 9 is an enlarged cross-sectional view thereof, taken along line 9—9 of FIG. 2, with the internal system omitted; and, FIG. 10 is an enlarged cross-sectional view thereof, taken along line 10—10 of FIG. 2, with the internal system omitted.

1 Claim, 5 Drawing Sheets

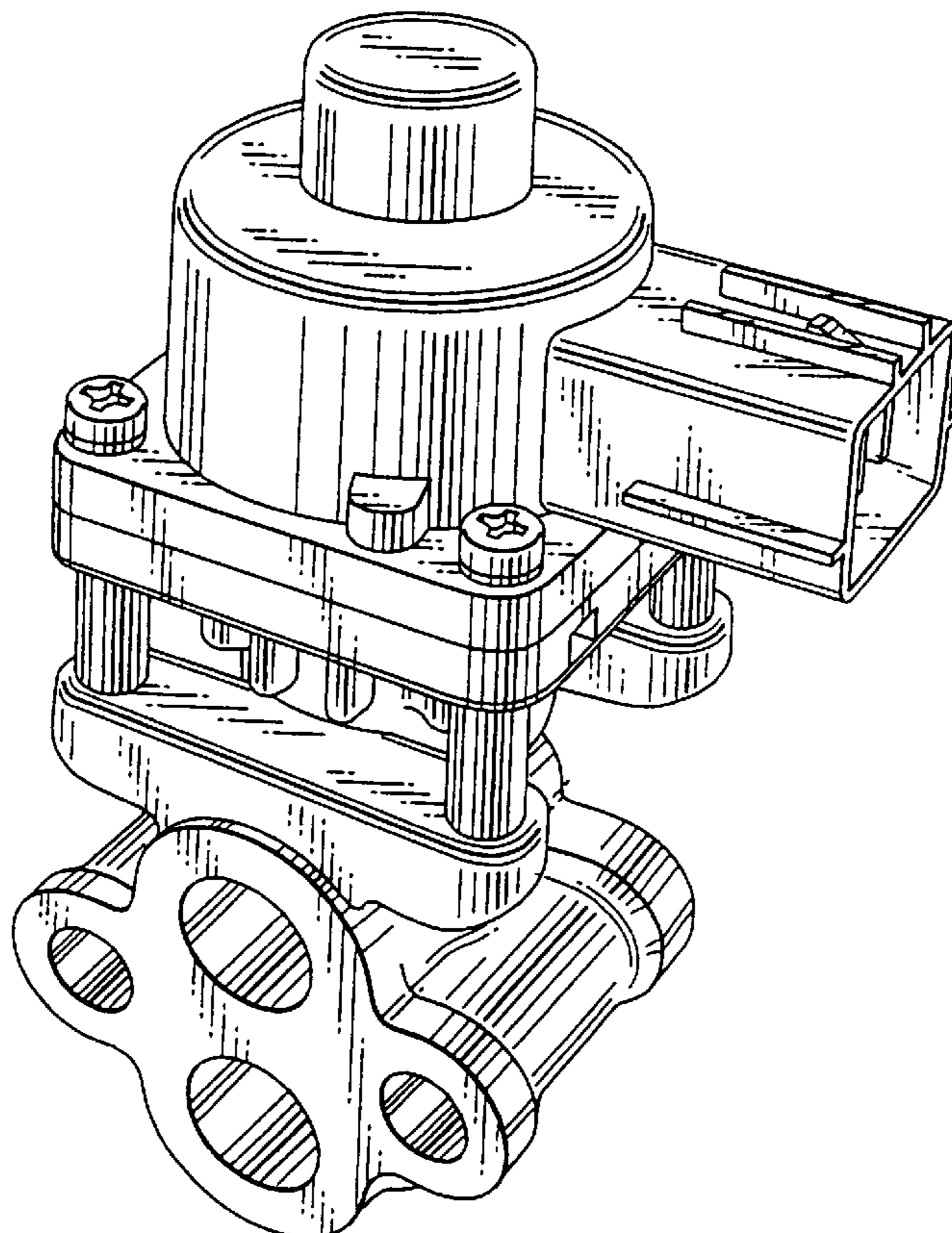


FIG. 1

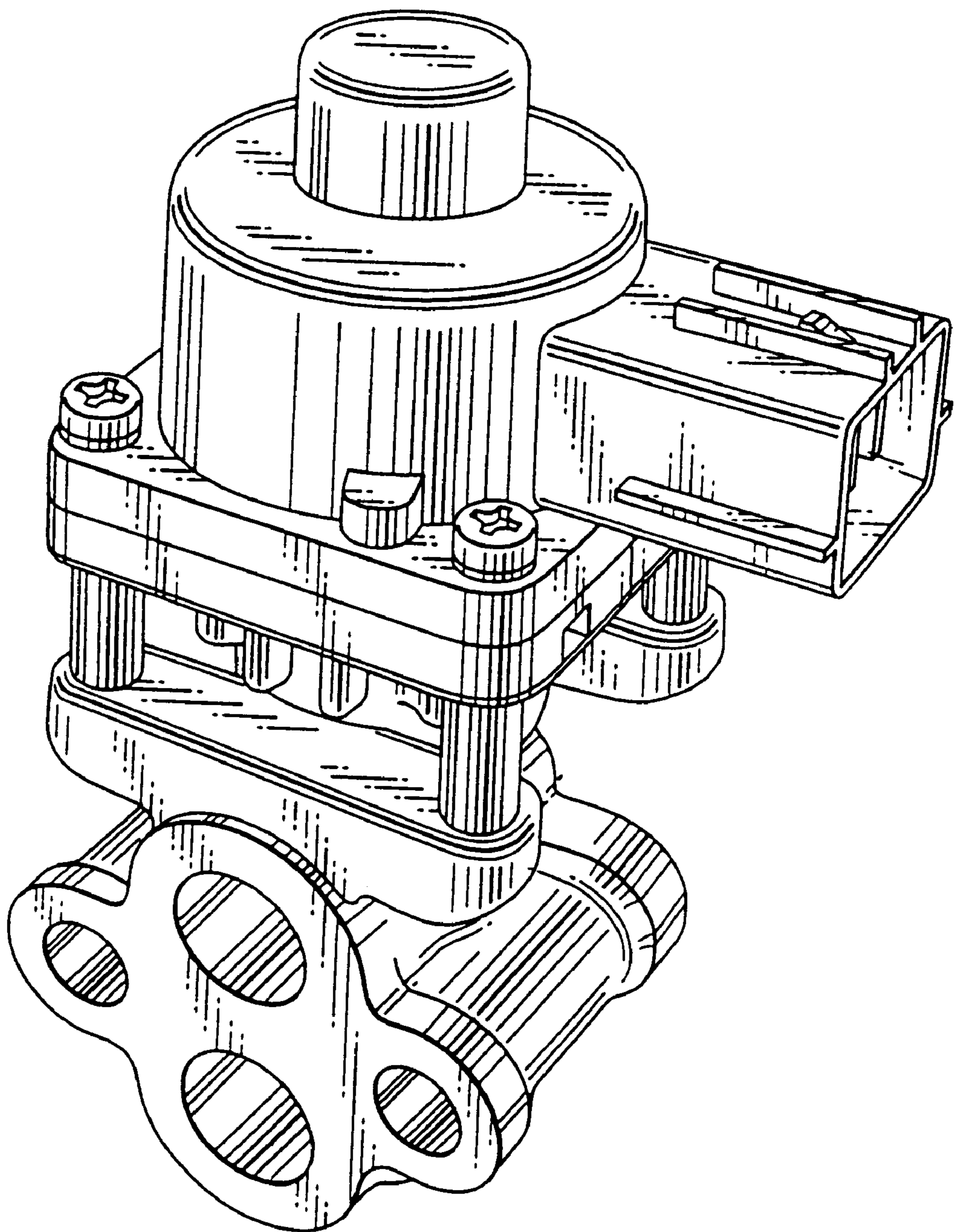


FIG. 2

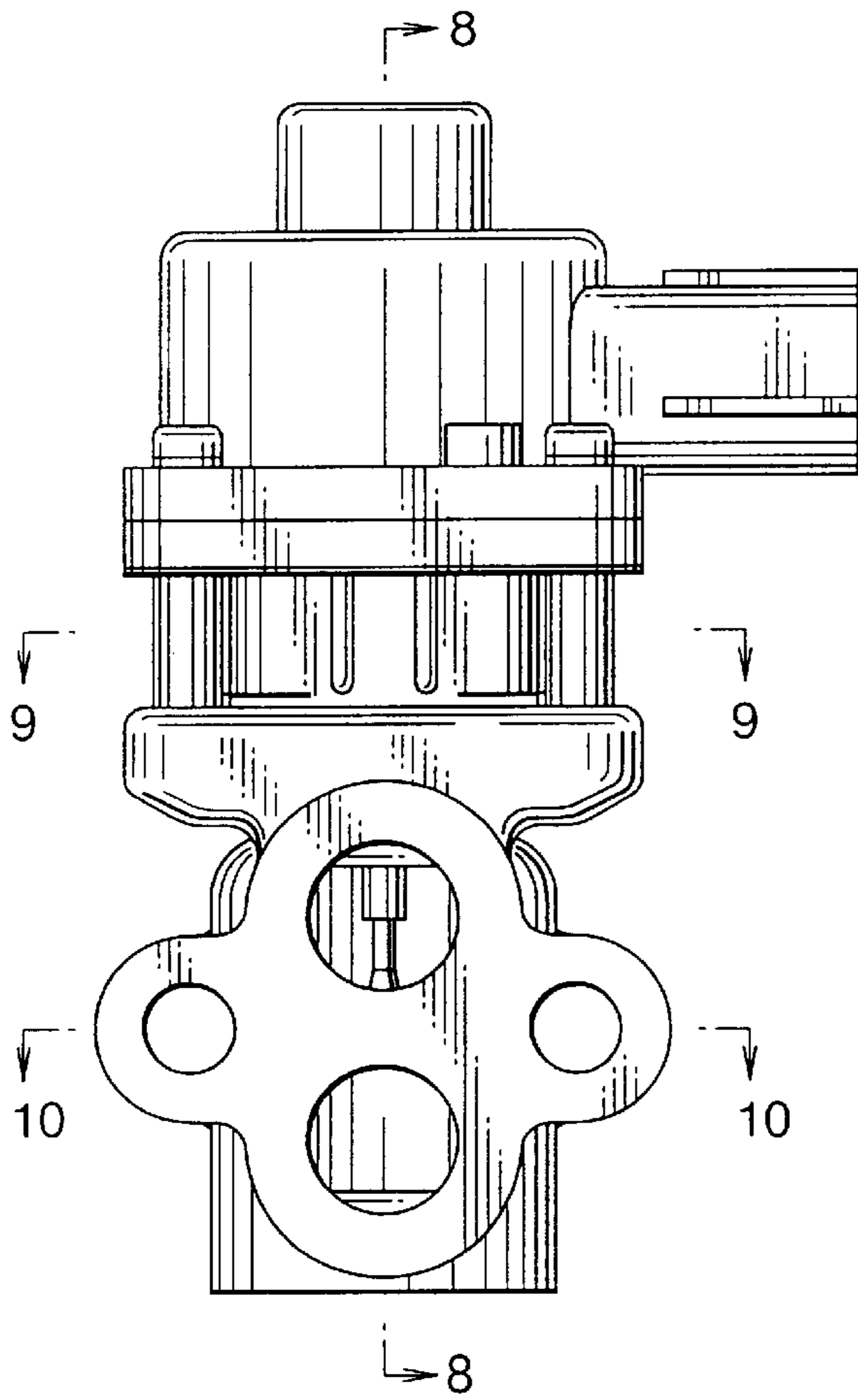


FIG. 3

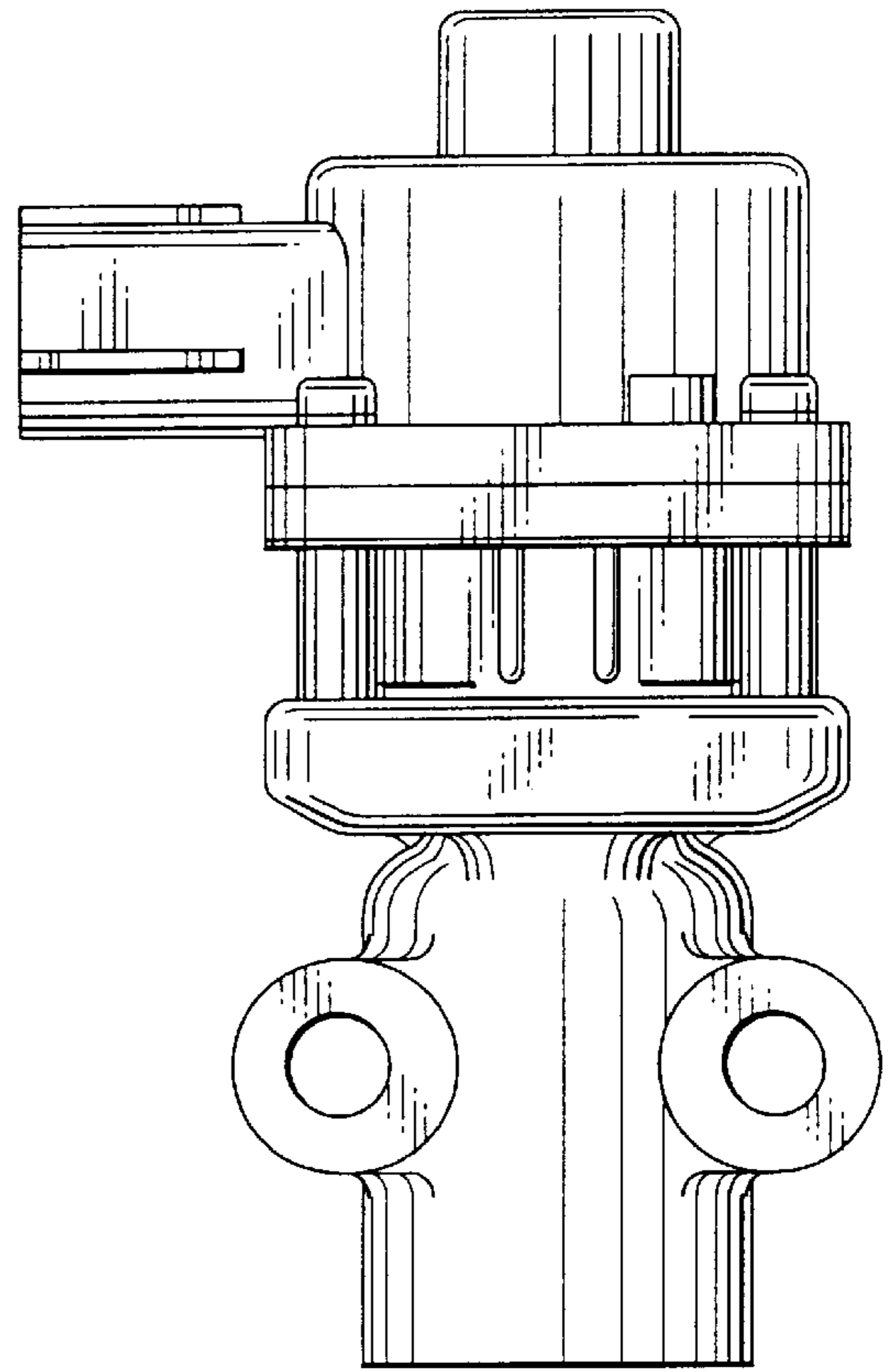


FIG. 4

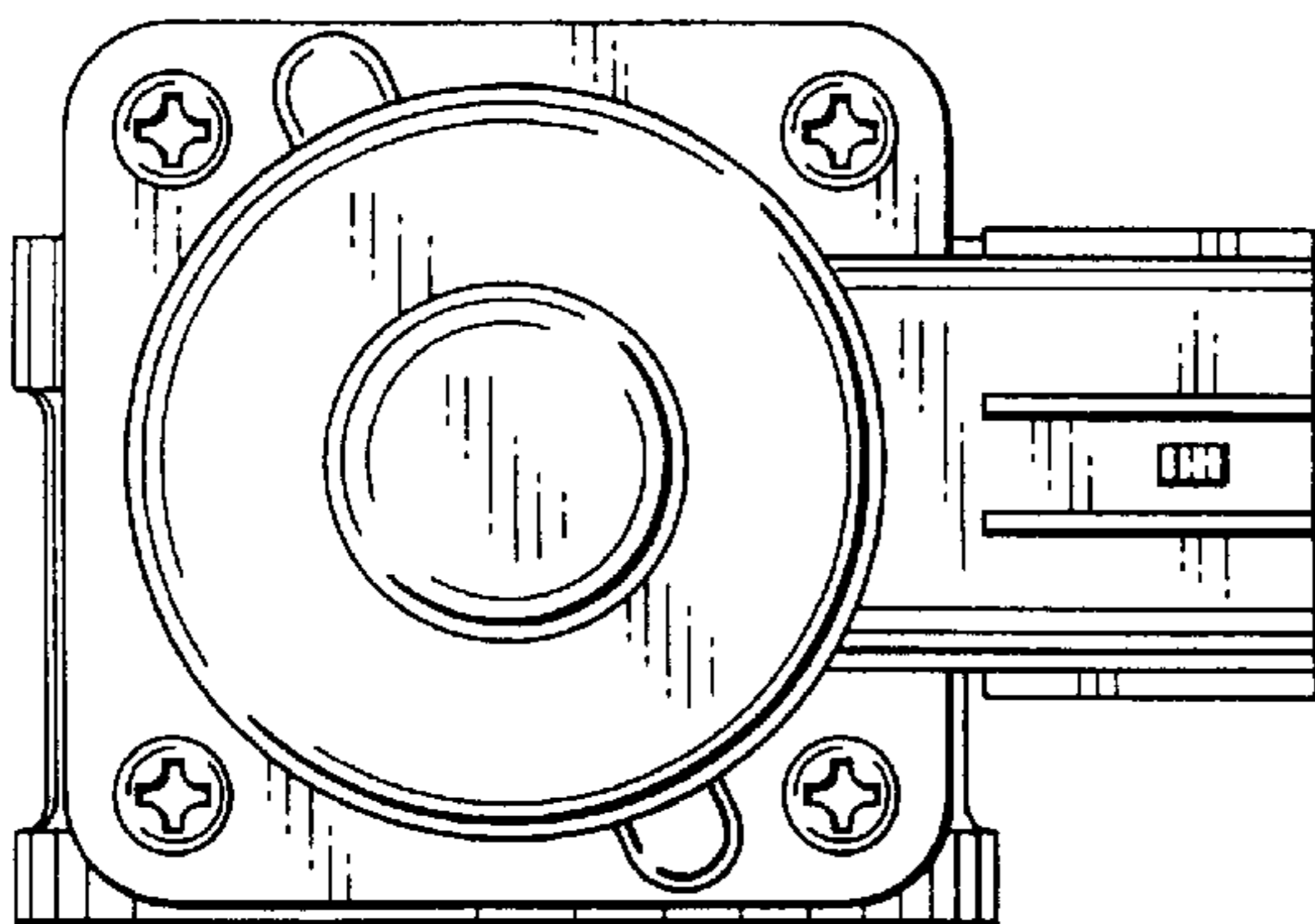


FIG. 5

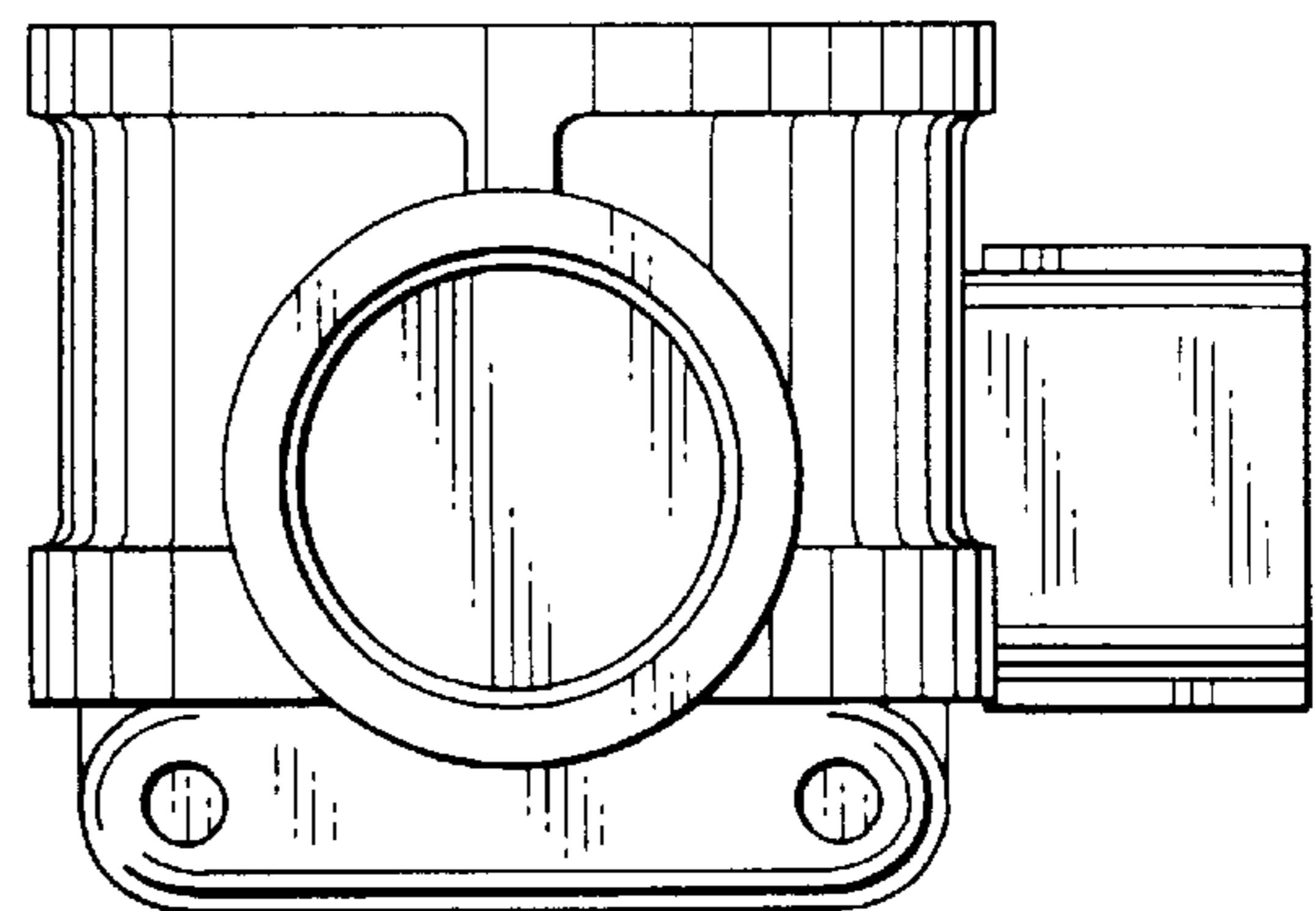


FIG. 6

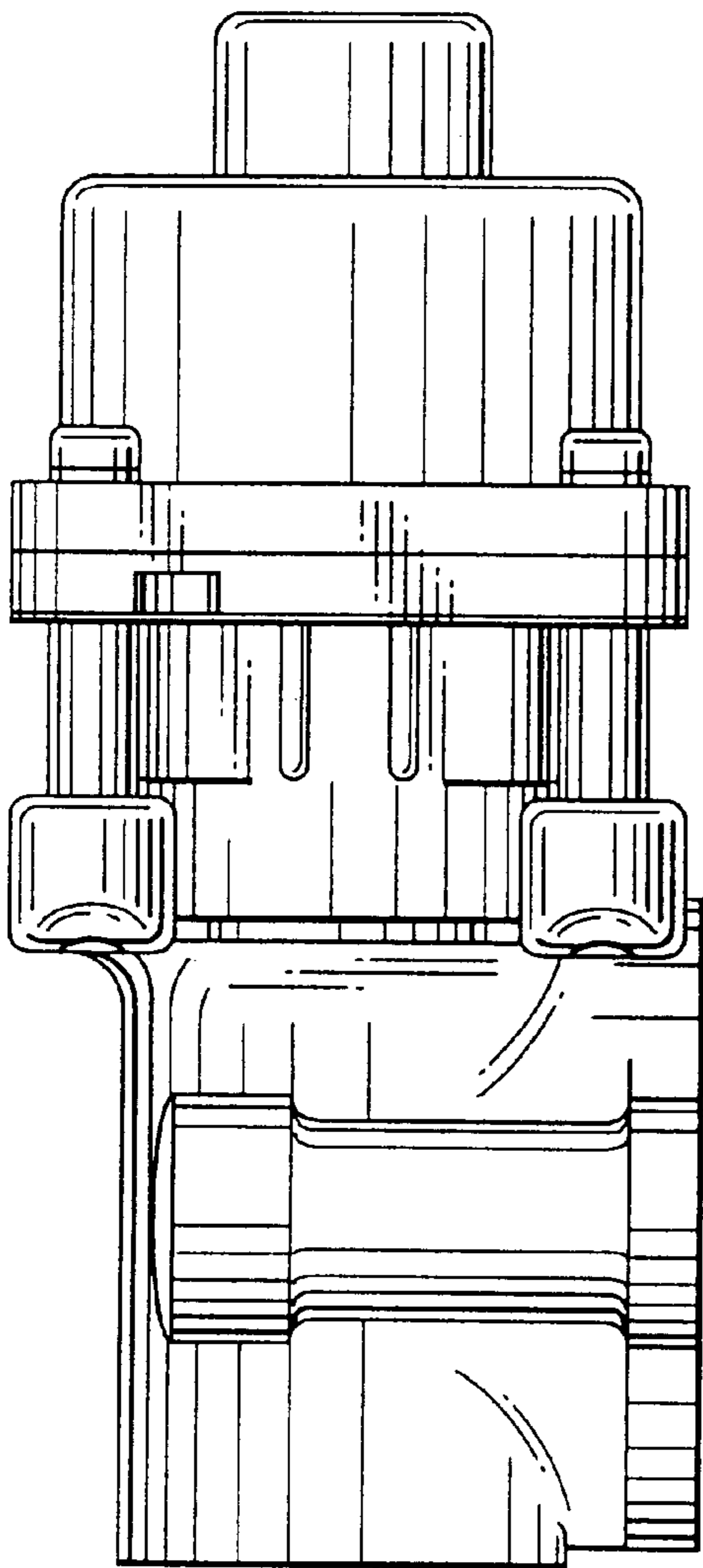


FIG. 7

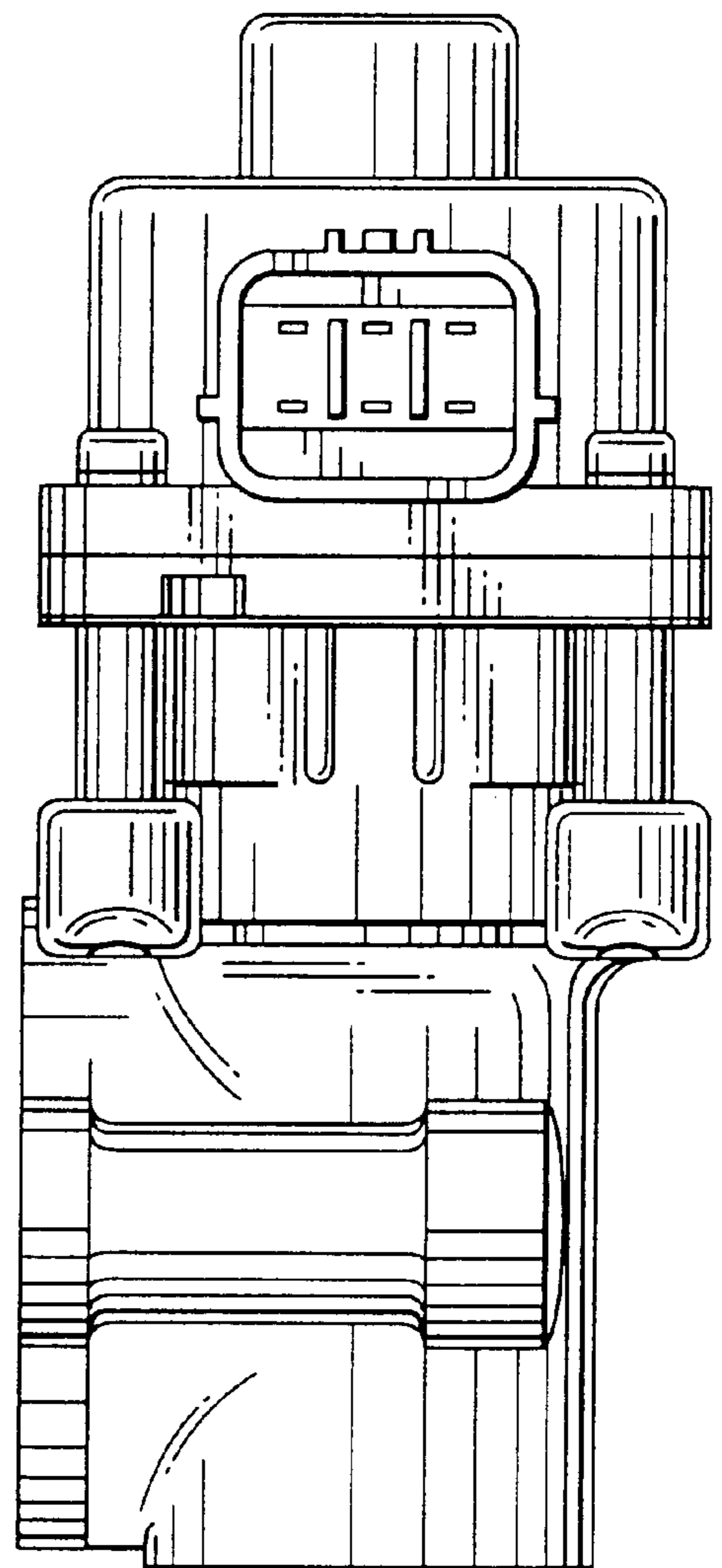
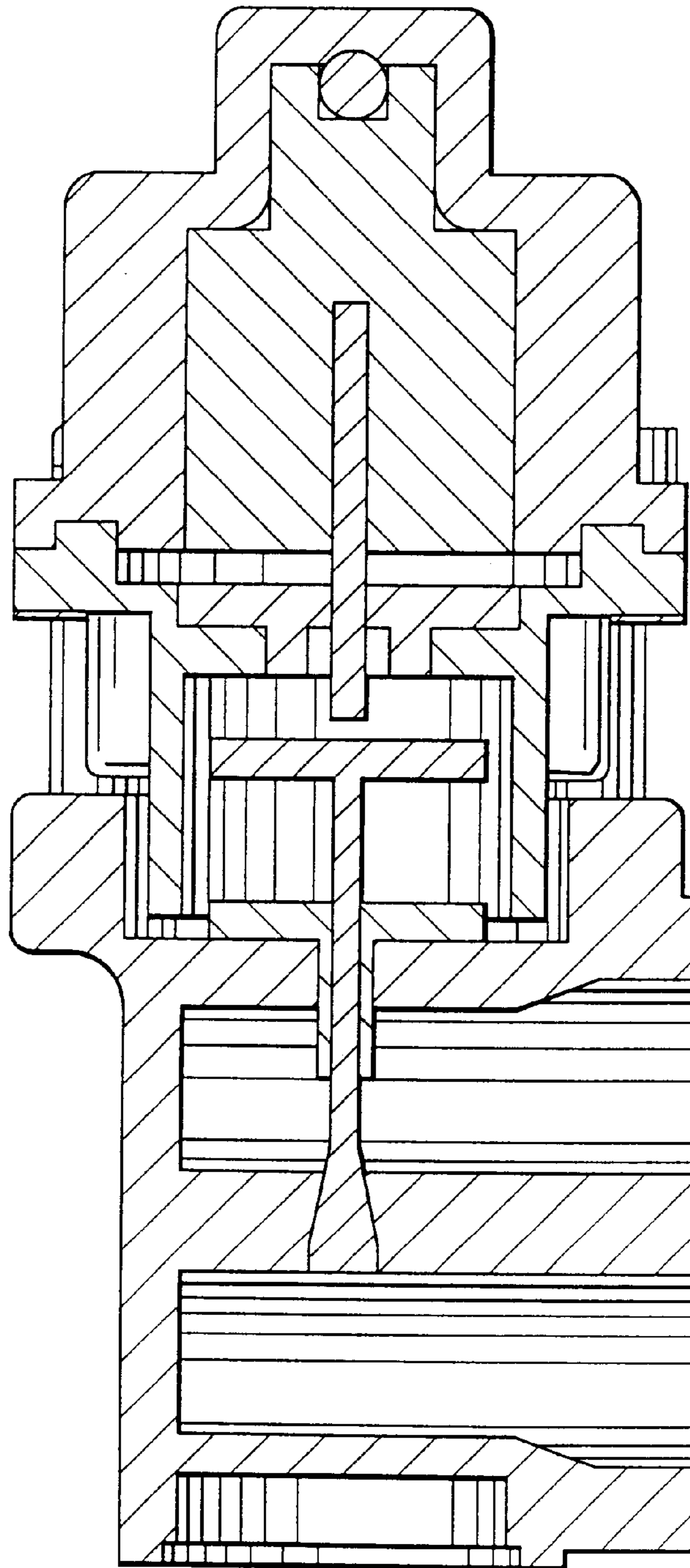


FIG. 8



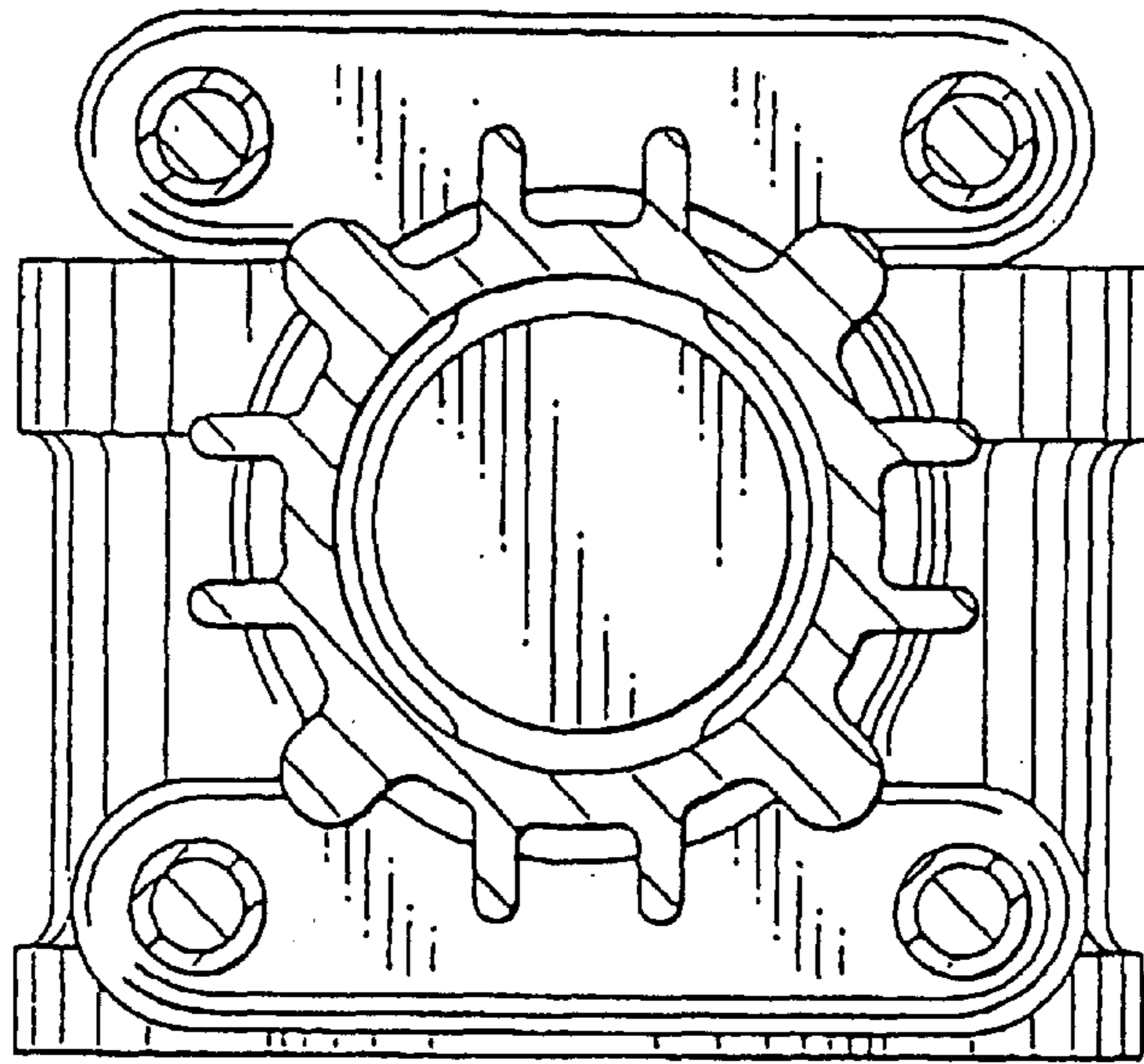


FIG. 9

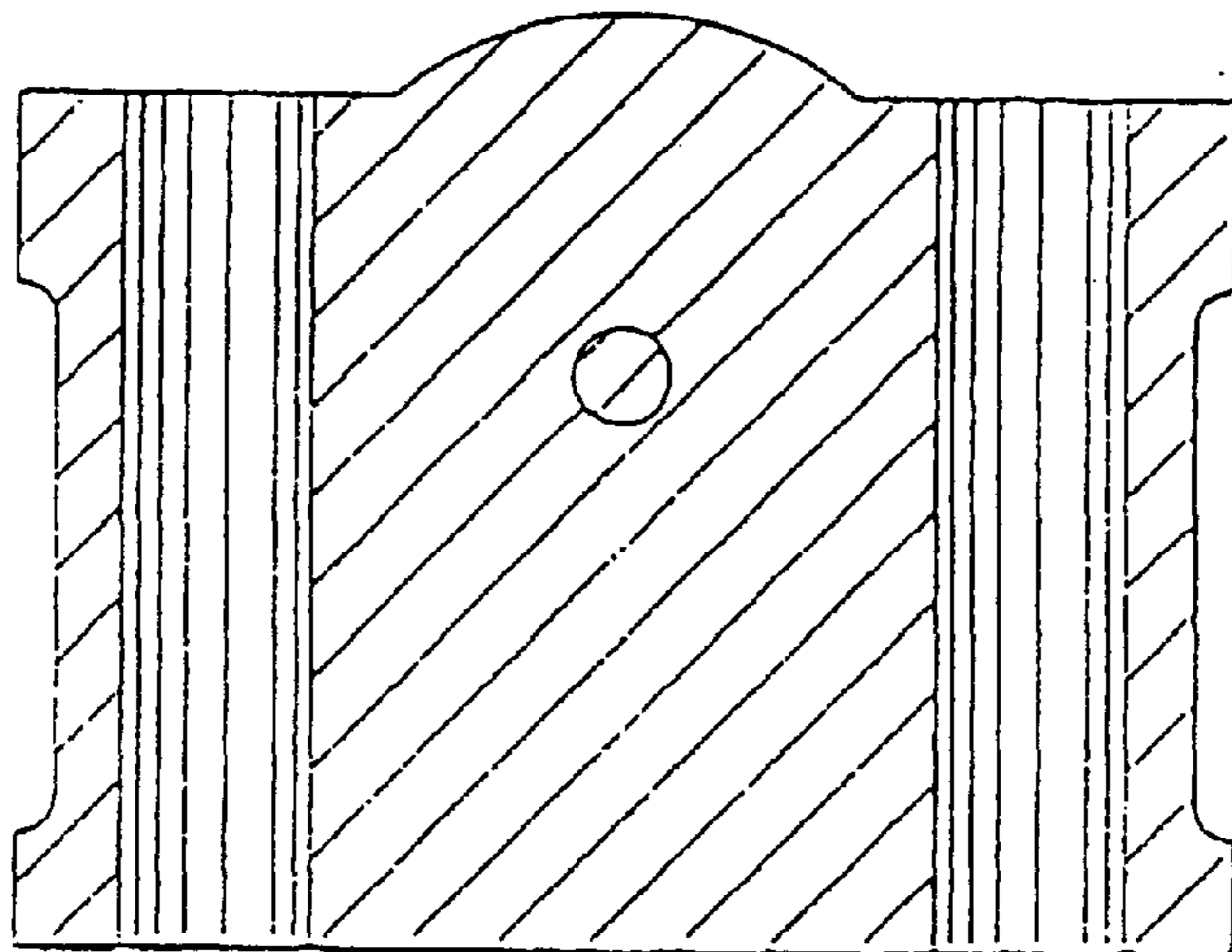


FIG. 10