



US00D445430S

(12) **United States Design Patent**
Yokoyama et al.

(10) **Patent No.:** **US D445,430 S**

(45) **Date of Patent:** **** Jul. 24, 2001**

(54) **PORTION OF VALVE BODY**

(75) Inventors: **Hisashi Yokoyama; Takeshi Ikai;**
Yasuhiko Kato; Toshihiko Miyake, all
of Tokyo (JP)

(73) Assignee: **Mitsubishi Denki Kabushiki Kaisha**,
Tokyo (JP)

(**) Term: **14 Years**

(21) Appl. No.: **29/119,994**

(22) Filed: **Mar. 13, 2000**

(30) **Foreign Application Priority Data**

Sep. 20, 1999 (JP) 11-25322

(51) **LOC (7) Cl.** **15-01**

(52) **U.S. Cl.** **D15/5**

(58) **Field of Search** D15/1-5; 137/338;
251/129.05, 129.11, 129.12; 123/568.2,
568.11, 571

(56) **References Cited**

U.S. PATENT DOCUMENTS

D. 410,870	*	6/1999	Golden et al.	D12/114
5,680,880		10/1997	Miyake et al.	137/338
5,718,259		2/1998	Miyake et al.	137/338
5,975,118	*	11/1999	Ulicny et al.	137/338

* cited by examiner

Primary Examiner—Melody N. Brown
(74) *Attorney, Agent, or Firm*—Oblon, Spivak, McClelland,
Maier & Neustadt, P.C.

(57) **CLAIM**

The ornamental design for a portion of valve body, as shown
and described.

DESCRIPTION

FIG. 1 is a front, top and right side perspective view of a
portion of valve body showing our new design;
FIG. 2 is a front elevational view thereof;
FIG. 3 is a rear elevational view thereof;
FIG. 4 is a top plan view thereof;
FIG. 5 is a bottom plan view thereof;
FIG. 6 is a right side elevational view thereof, the left side
being symmetrical with that shown;
FIG. 7 is an enlarged cross-sectional view thereof, taken
along line 7—7 of FIG. 2, with the internal system omitted;
and,
FIG. 8 is an enlarged cross-sectional view thereof, taken
along line 8—8 of FIG. 2, with the internal system omitted.
The broken lines shown throughout the drawing views are
for illustrative purposes only and form no part of the claim
design.

1 Claim, 3 Drawing Sheets

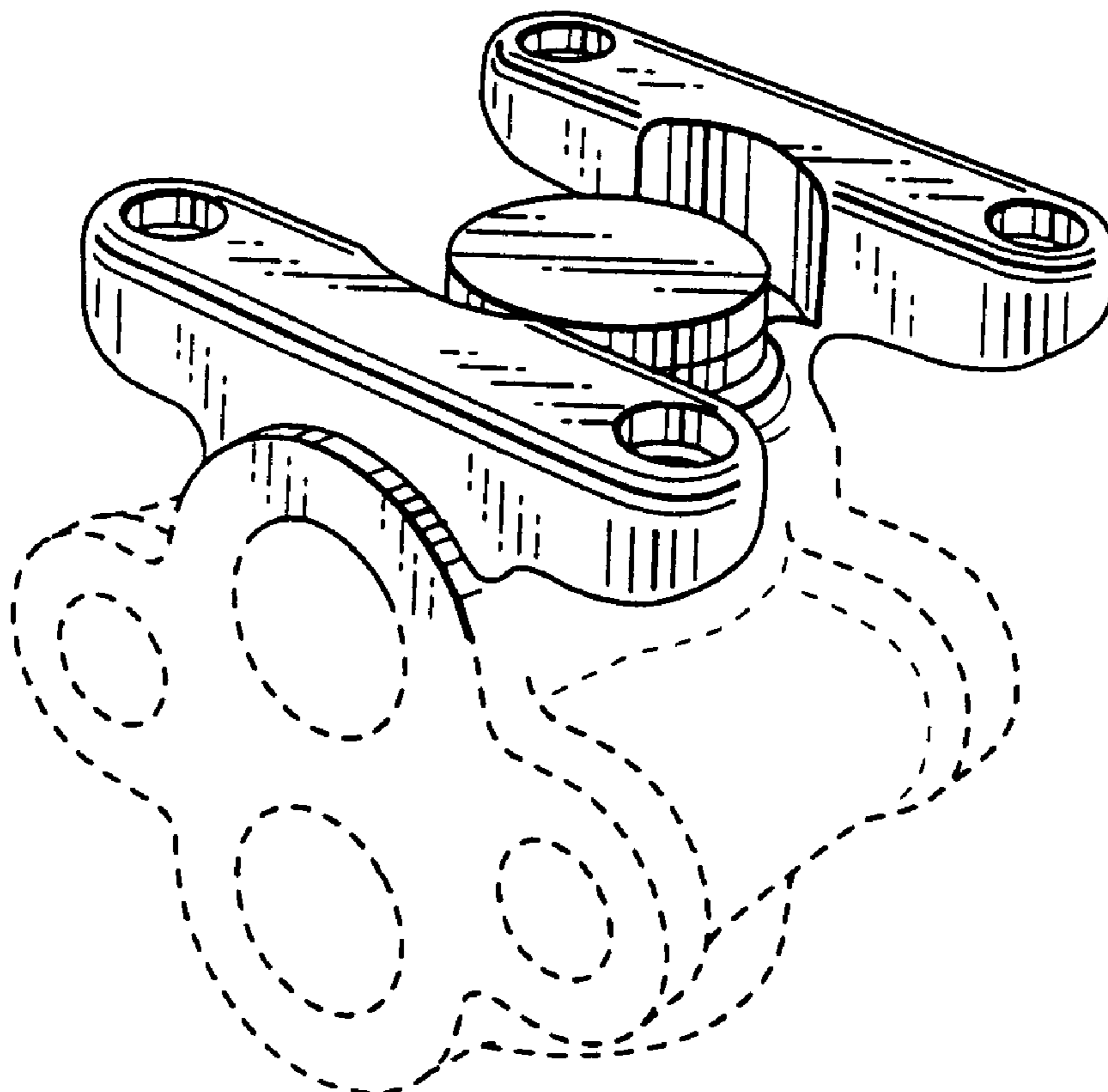


FIG. 1

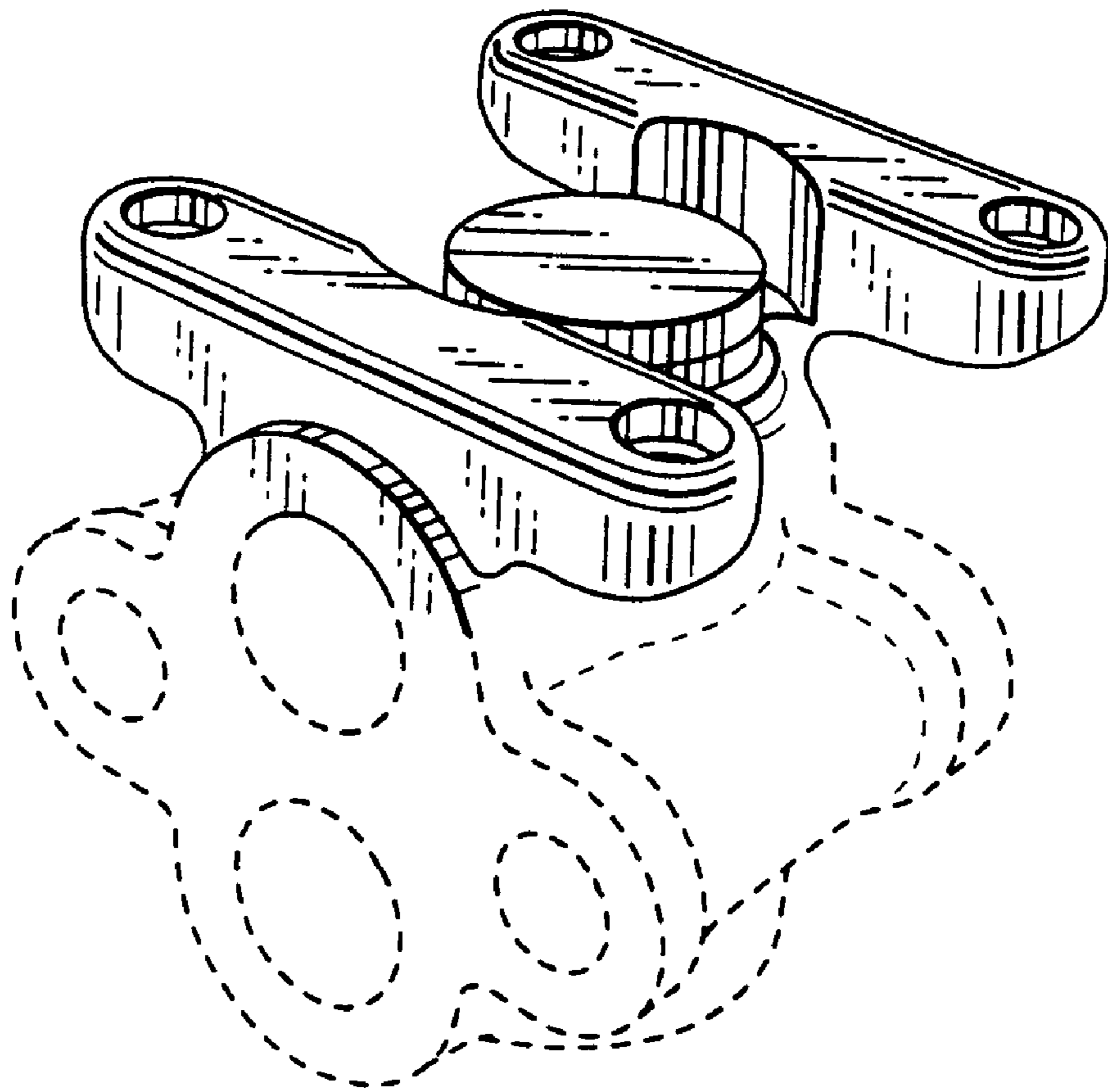


FIG. 2

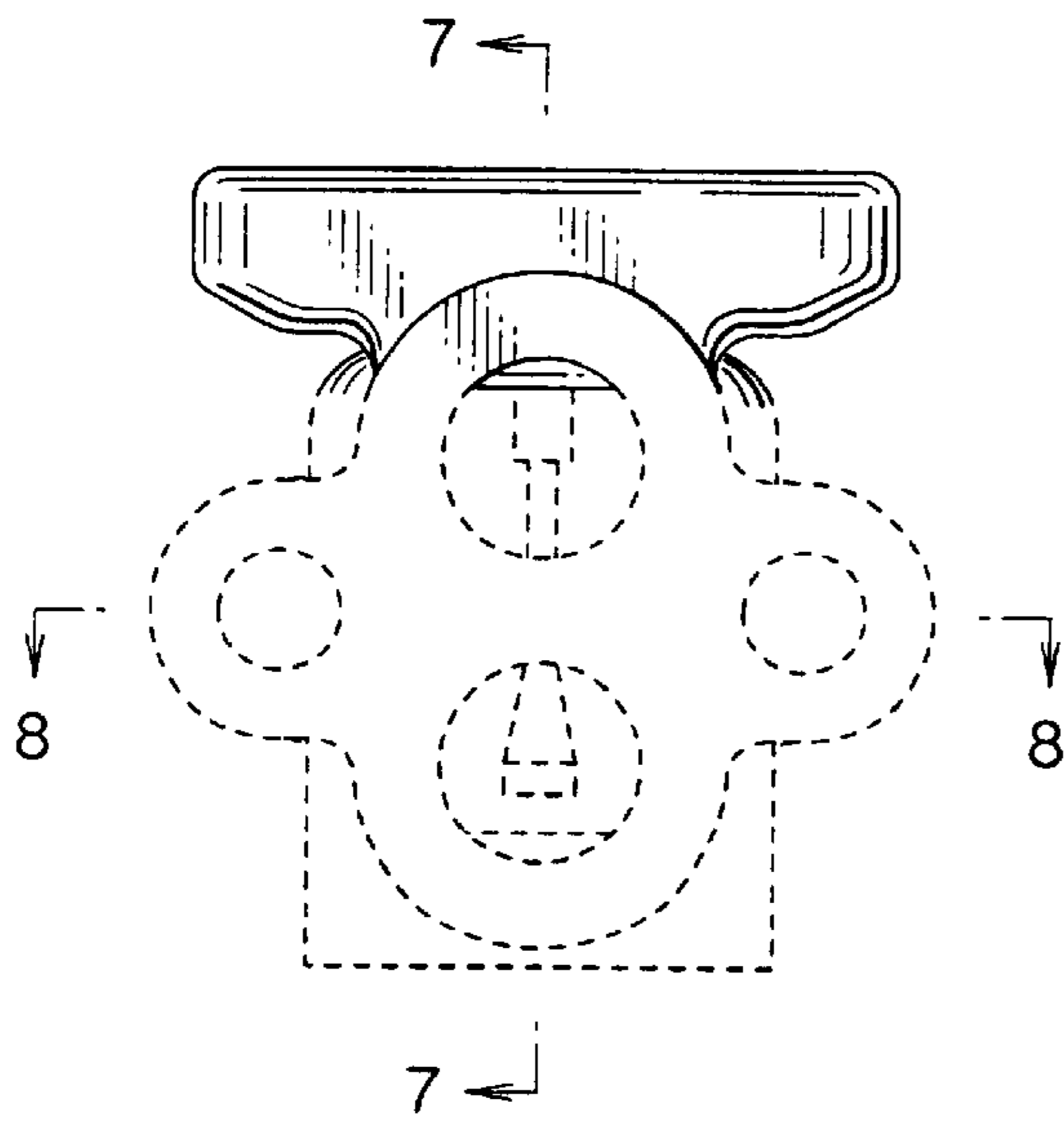


FIG. 3

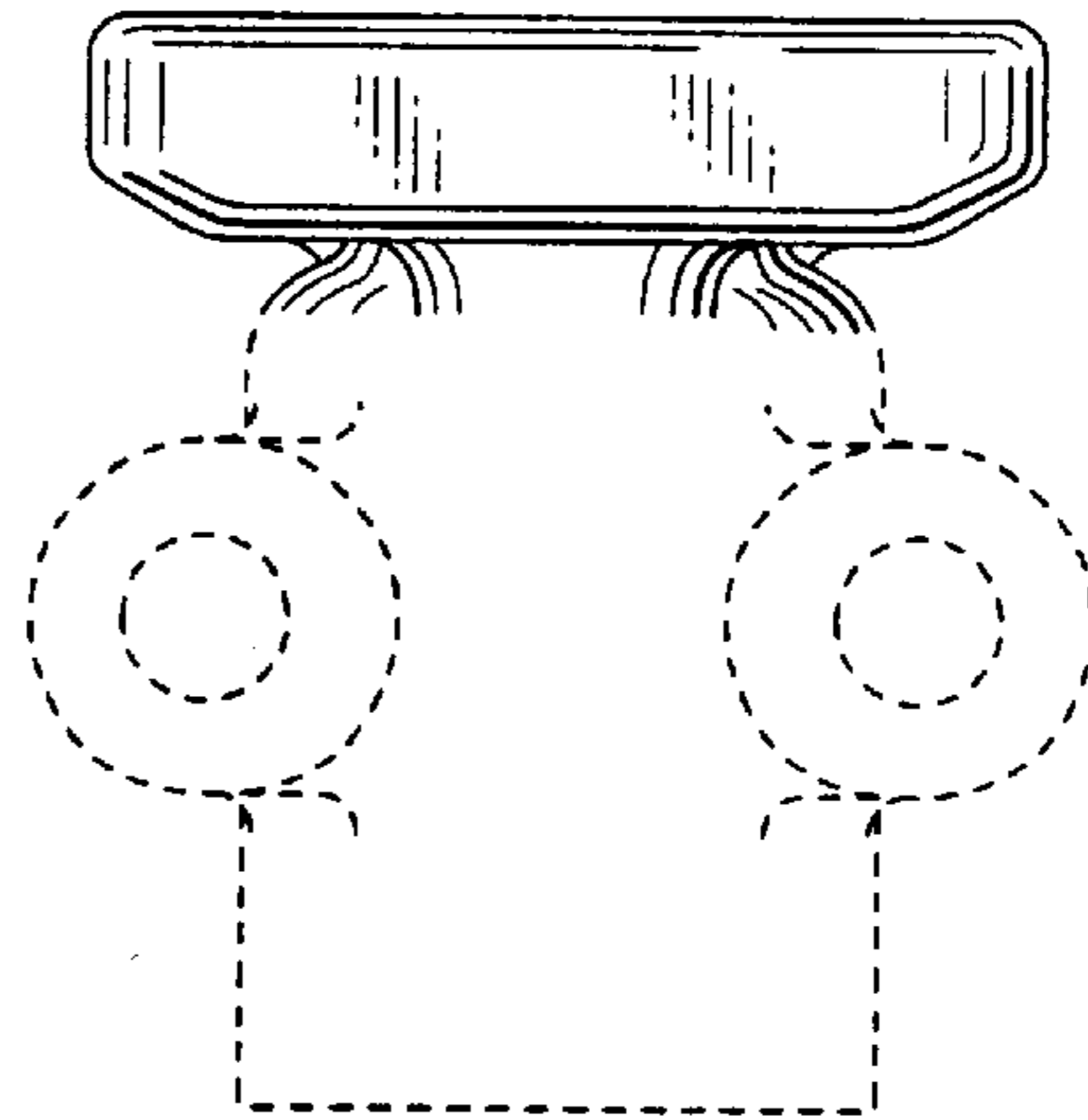


FIG. 4

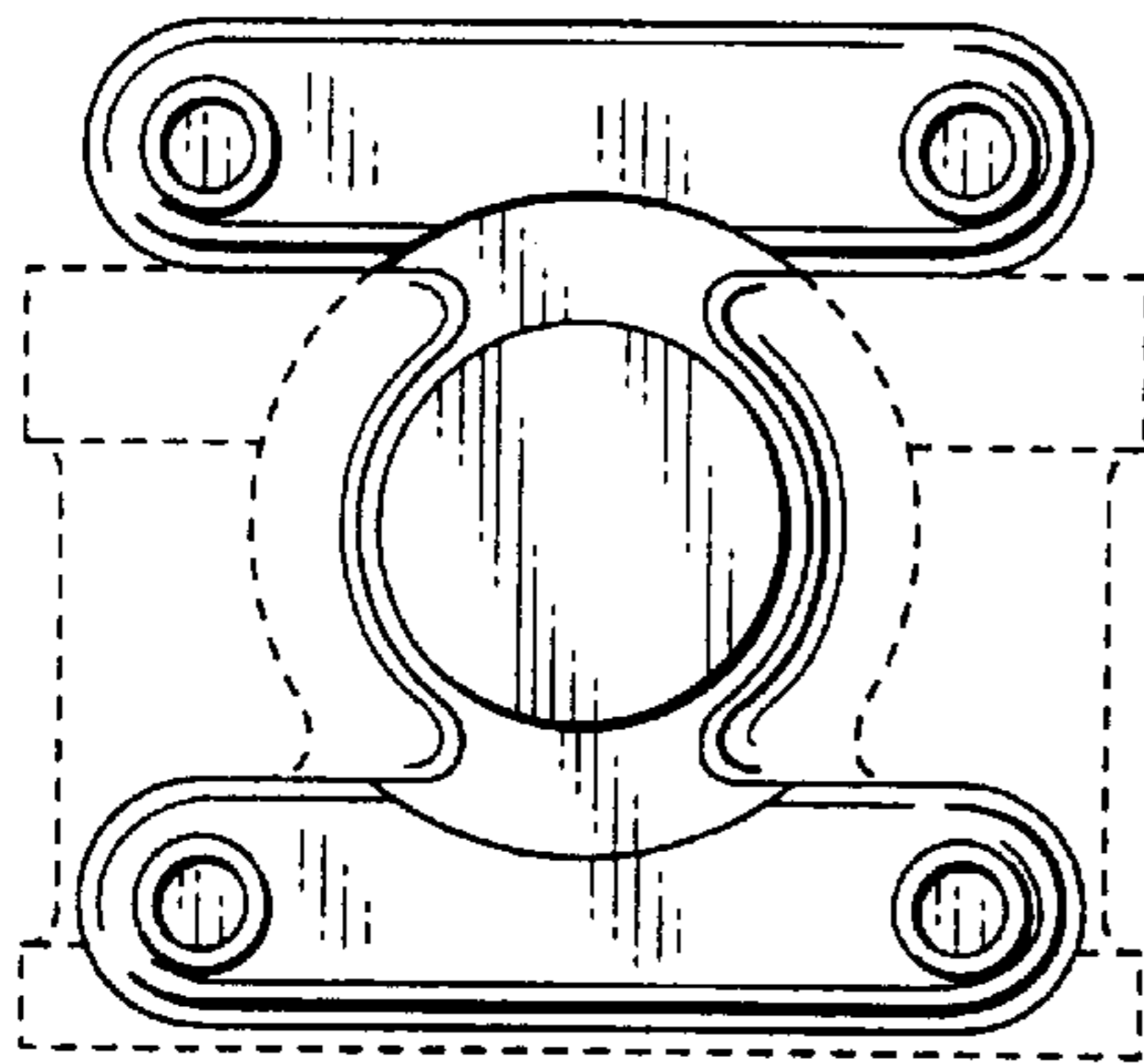


FIG. 5

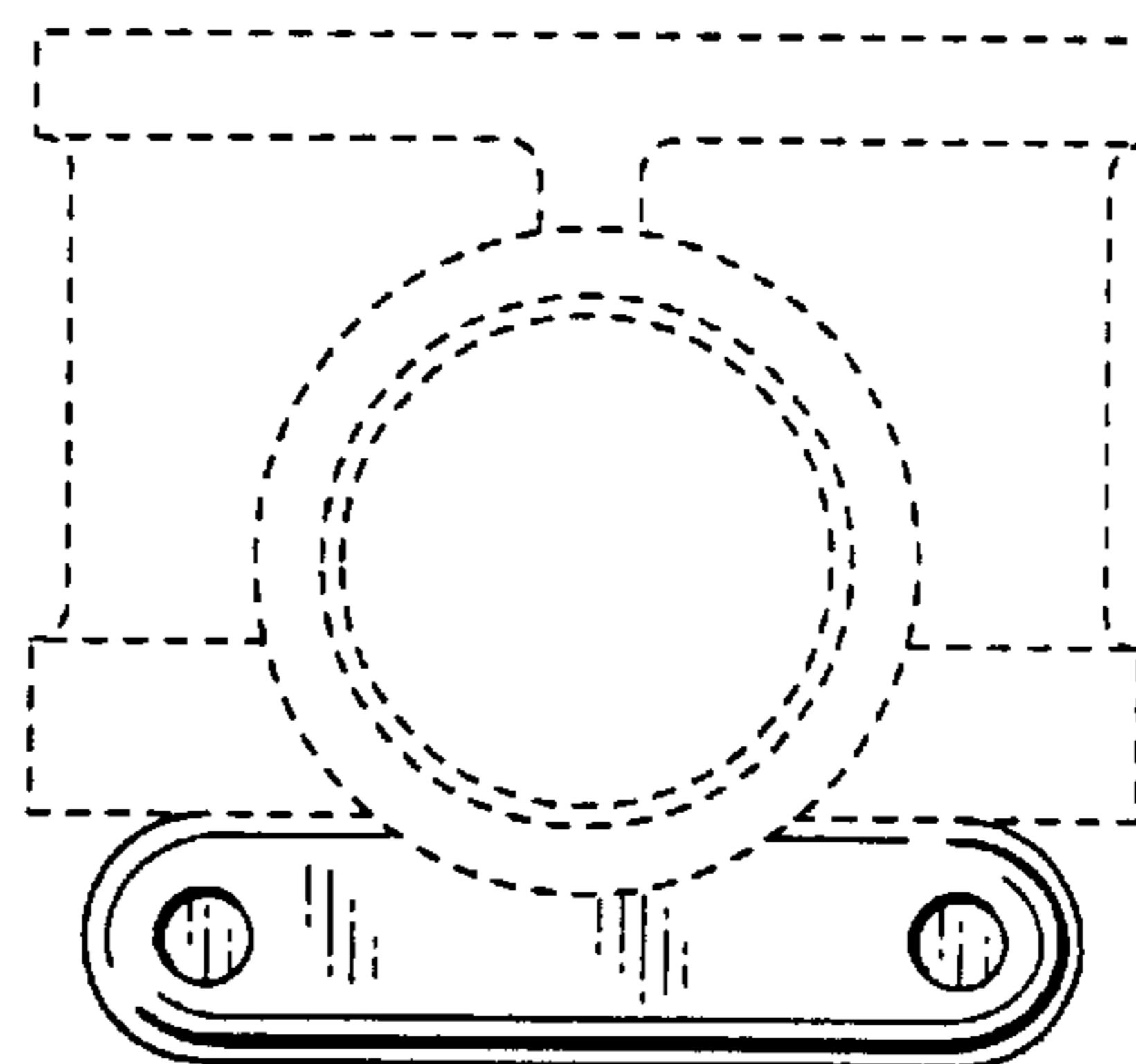


FIG. 6

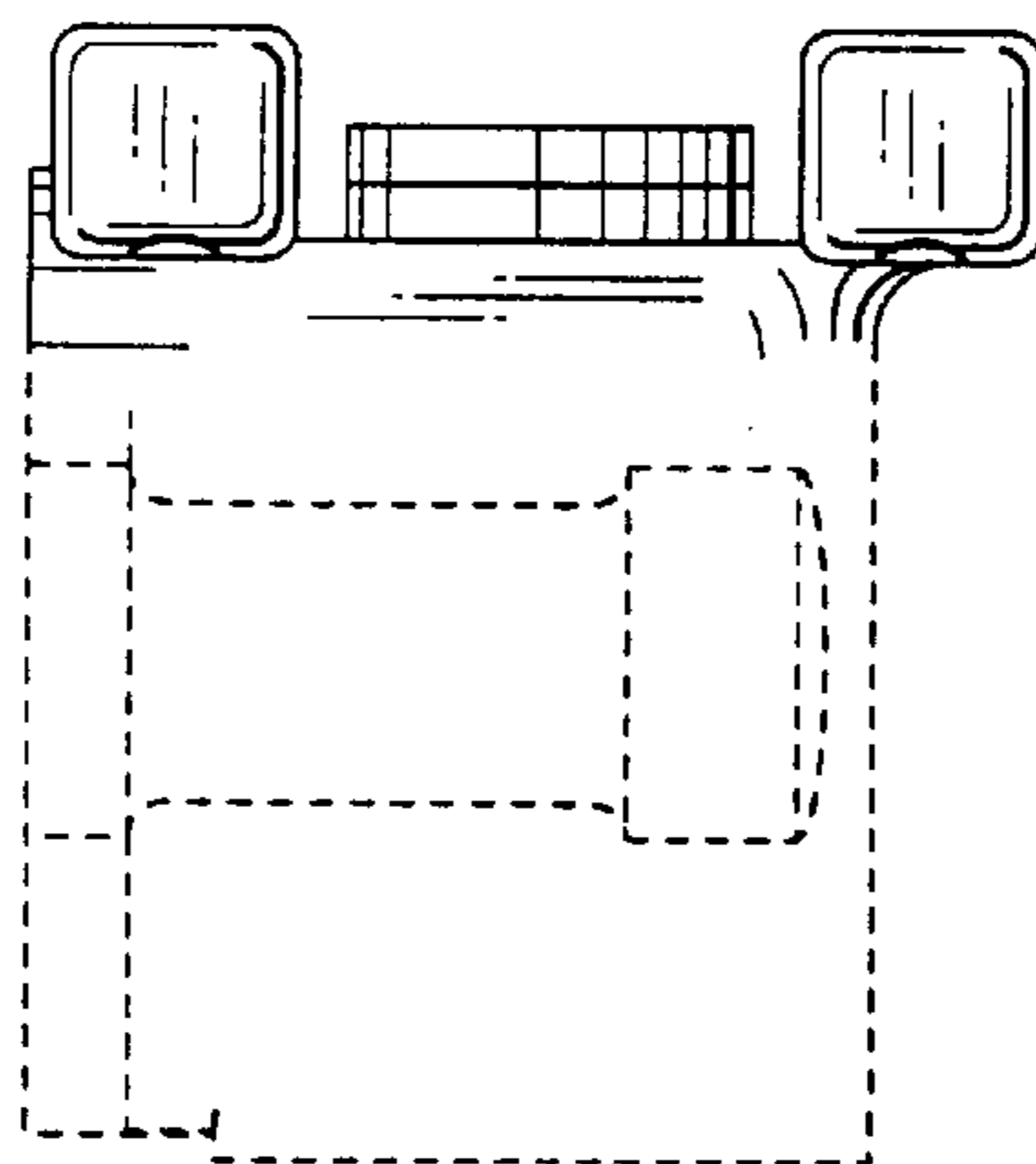


FIG. 7

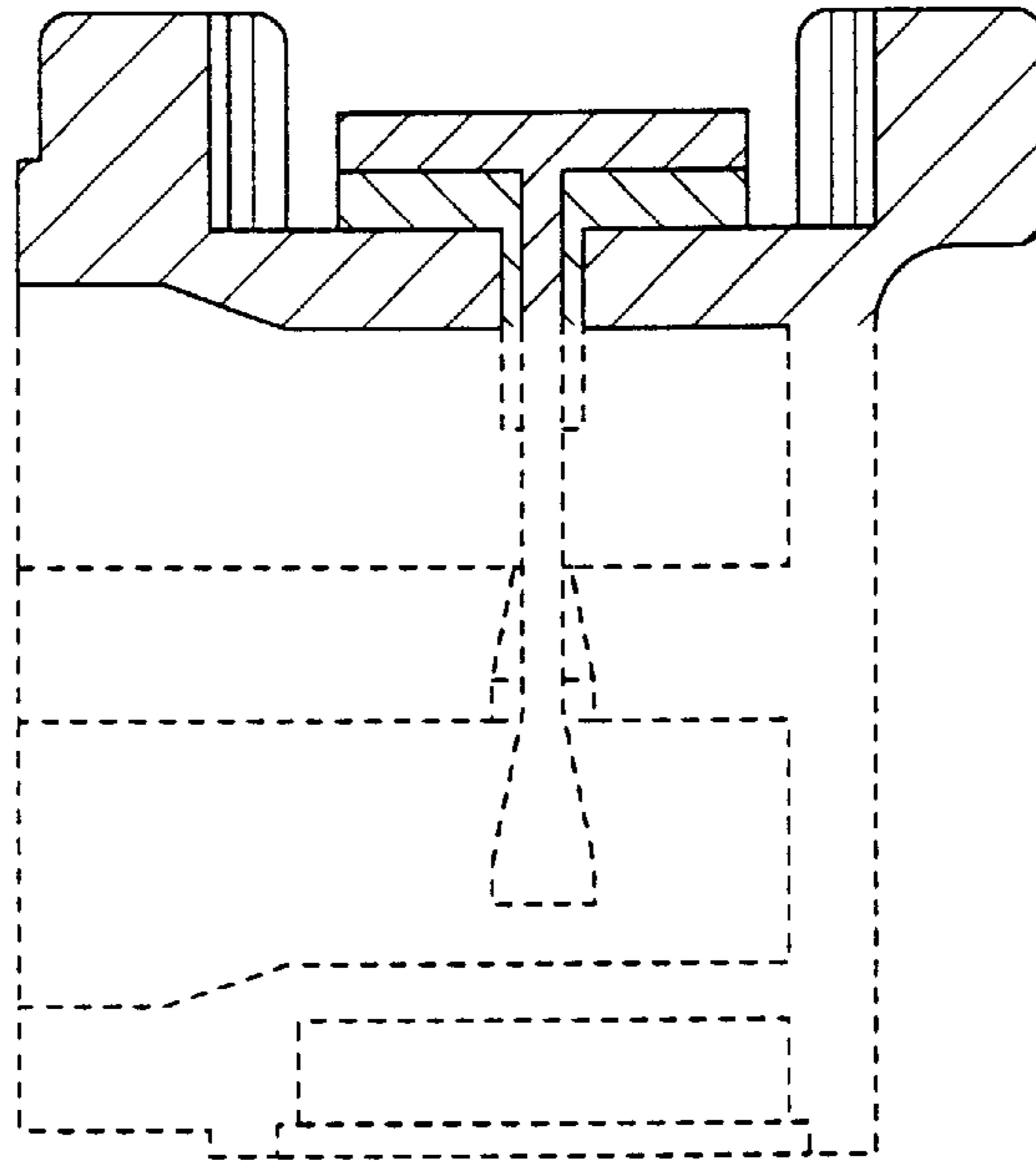


FIG. 8

