



US00D445419S

(12) **United States Design Patent**  
**Lee et al.**

(10) **Patent No.:** **US D445,419 S**

(45) **Date of Patent:** **\*\* Jul. 24, 2001**

(54) **PERSONAL COMPUTER**

*Primary Examiner*—Freda Nunn

(75) Inventors: **Peter K. Lee**, San Jose; **Kenneth Douglas Wood**, Portola Valley; **Jeffrey Allen Salazar**, Belmont, all of CA (US)

(57) **CLAIM**

The ornamental design for a personal computer, as shown and described.

(73) Assignee: **Hewlett-Packard Company**, Palo Alto, CA (US)

**DESCRIPTION**

(\*\*) Term: **14 Years**

This application is related to U.S. Design Patent Application for Personal Computer of Peter K. Lee and David William Laituri filed on the same date as this application which is hereby incorporated by reference for all that it discloses.

(21) Appl. No.: **29/121,612**

(22) Filed: **Apr. 11, 2000**

FIG. 1 is a top front right perspective view of a personal computer showing our new design;

(51) **LOC (7) Cl.** ..... **14-02**

(52) **U.S. Cl.** ..... **D14/349**

FIG. 2 is a front elevation view thereof;

(58) **Field of Search** ..... D14/349-352;  
D13/162, 184, 199; 361/680-686, 694,  
696; 360/99.12; 369/34, 36

FIG. 3 is a rear elevation view thereof;

FIG. 4 is a left side elevation view thereof;

FIG. 5 is a right side elevation view thereof;

(56) **References Cited**

**U.S. PATENT DOCUMENTS**

- D. 370,467 \* 6/1996 Barthelemy et al. .... D14/349
- D. 398,906 \* 9/1998 Fynn et al. .... D14/349
- D. 408,020 \* 4/1999 Han ..... D14/349
- 5,828,545 \* 10/1998 Loudenslager ..... 361/683

FIG. 6 is a top plan view thereof;

FIG. 7 is a bottom plan view thereof; and,

FIG. 8 is a detailed cross sectional elevation view of the front lower portion thereof illustrating details of the front lid and a recessed portion of the front panel positioned proximate the lower tip of the front lid and taken along line 8—8 in FIG. 2.

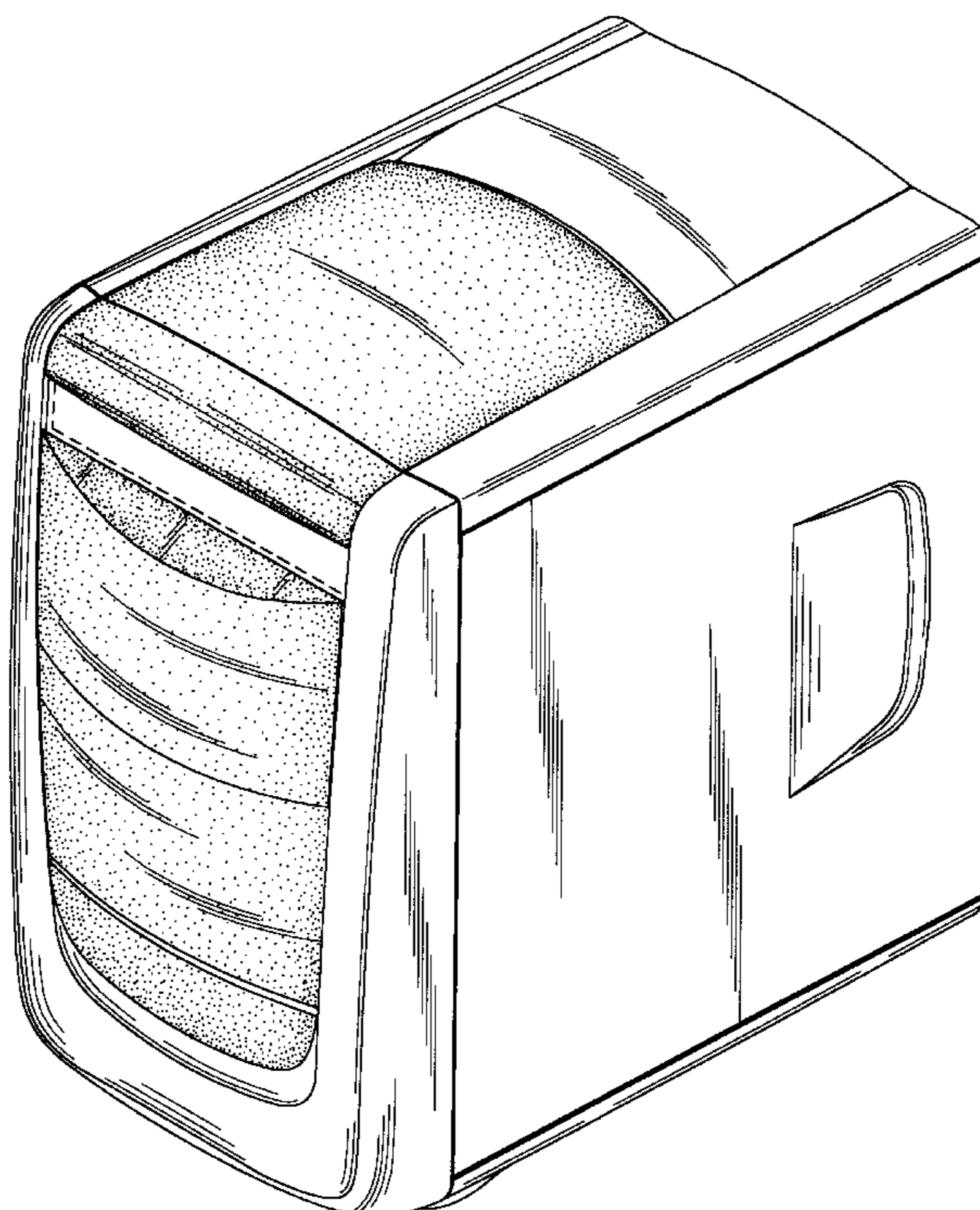
**OTHER PUBLICATIONS**

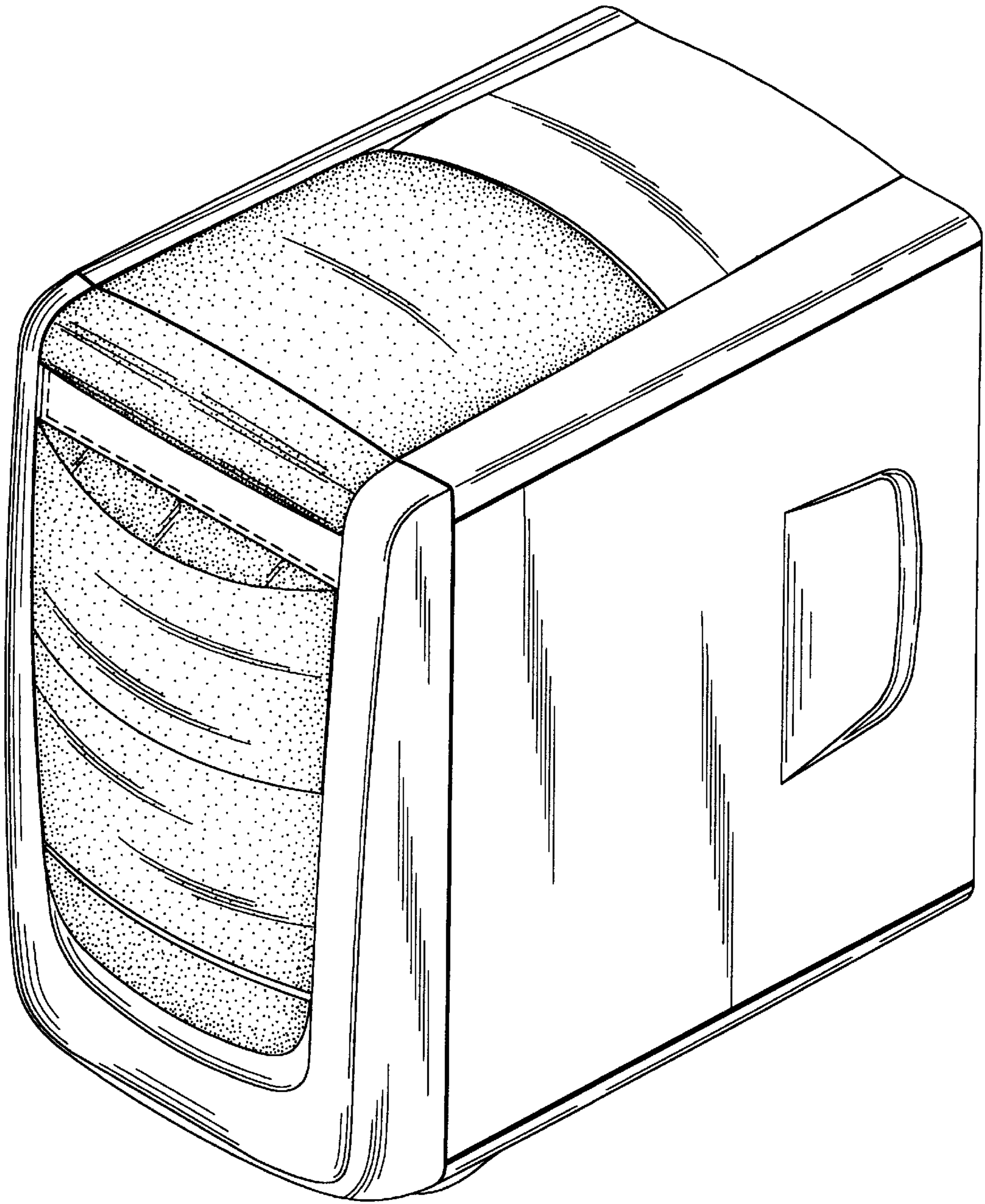
U.S. Design application No. 29/121,668 filed Apr. 11, 2000 for Personal Computer of Peter K. Lee and David W. Laituri.

The broken lines are shown in the views for illustrative purposes only and form no part of the claimed design.

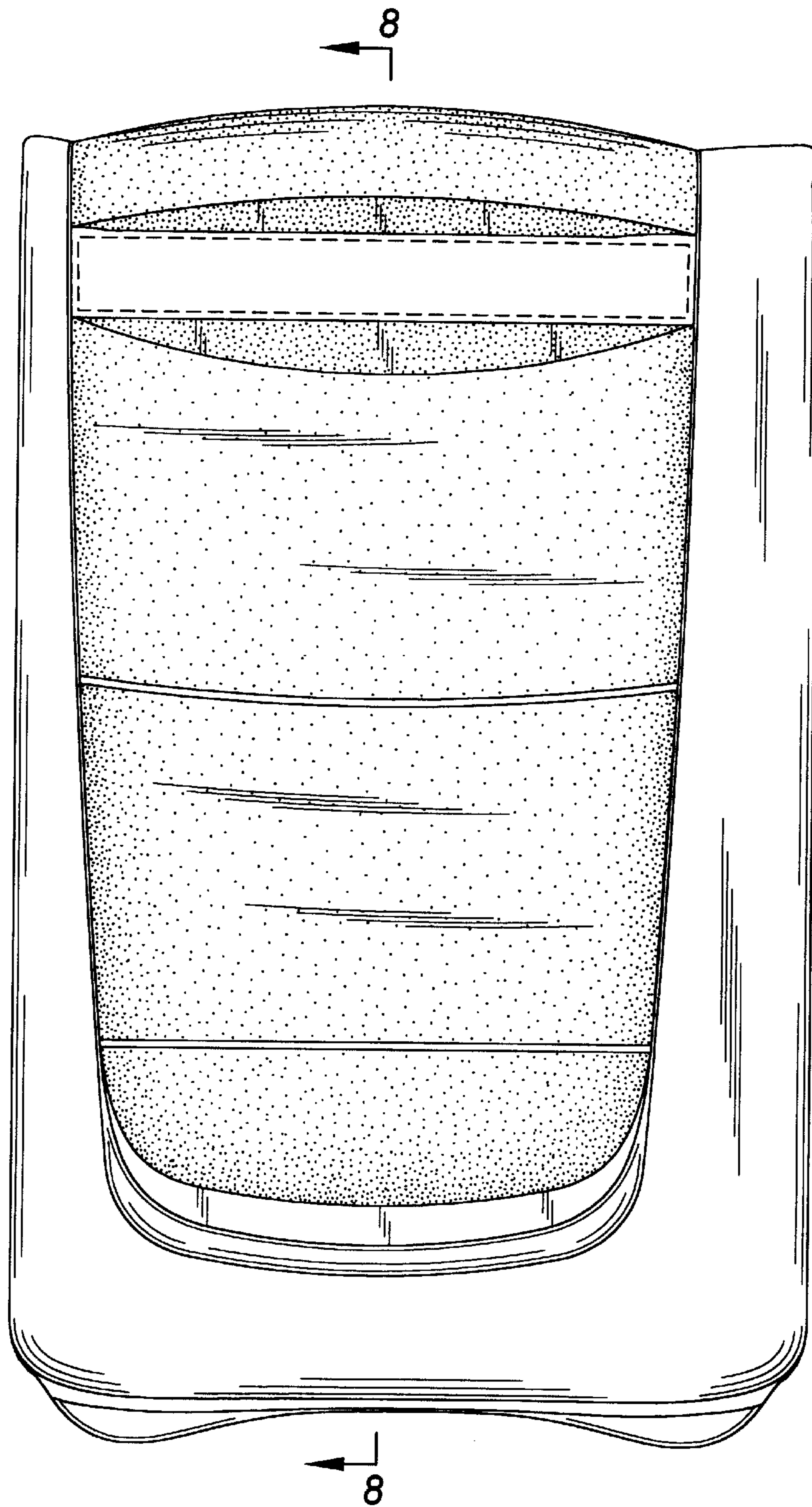
\* cited by examiner

**1 Claim, 8 Drawing Sheets**

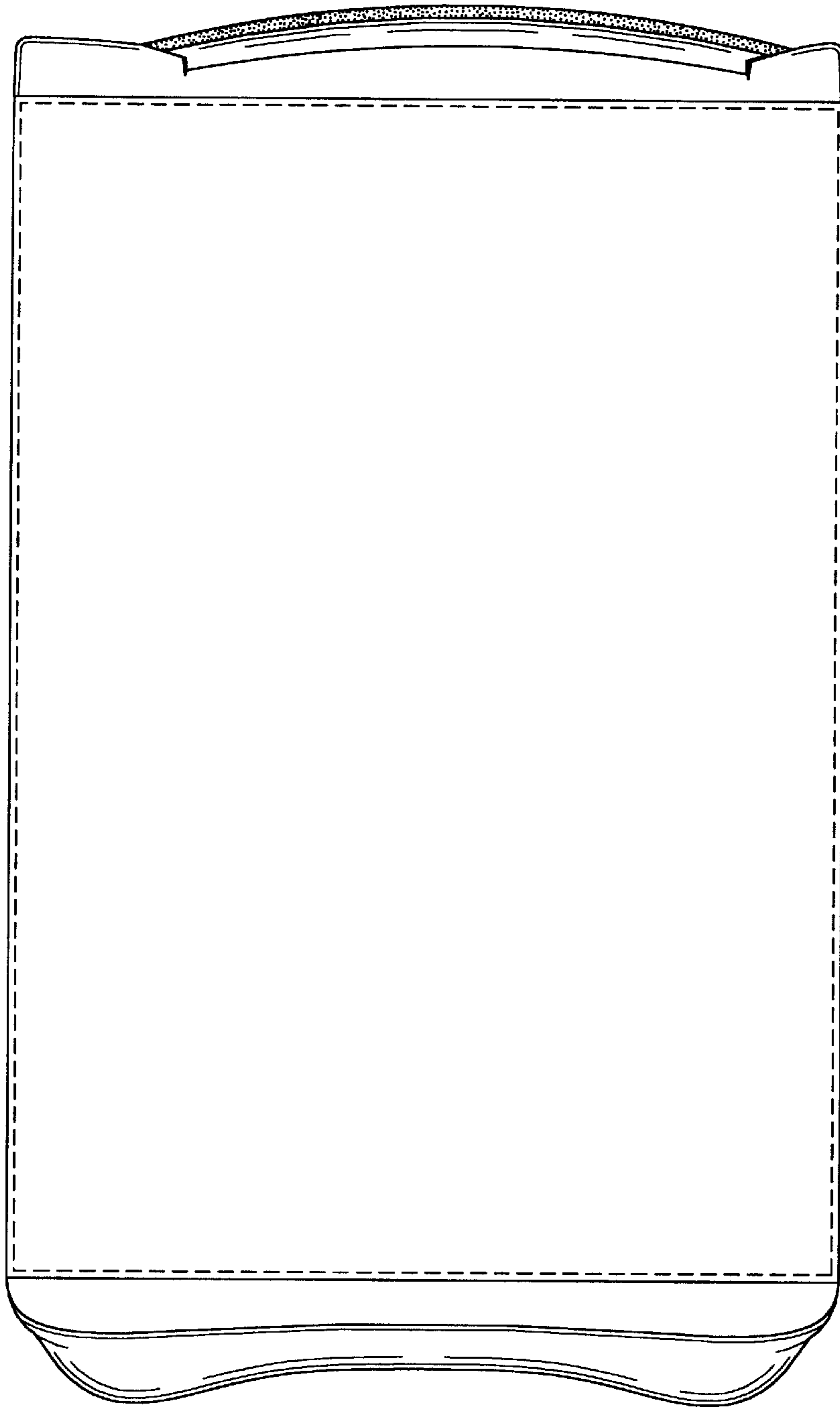




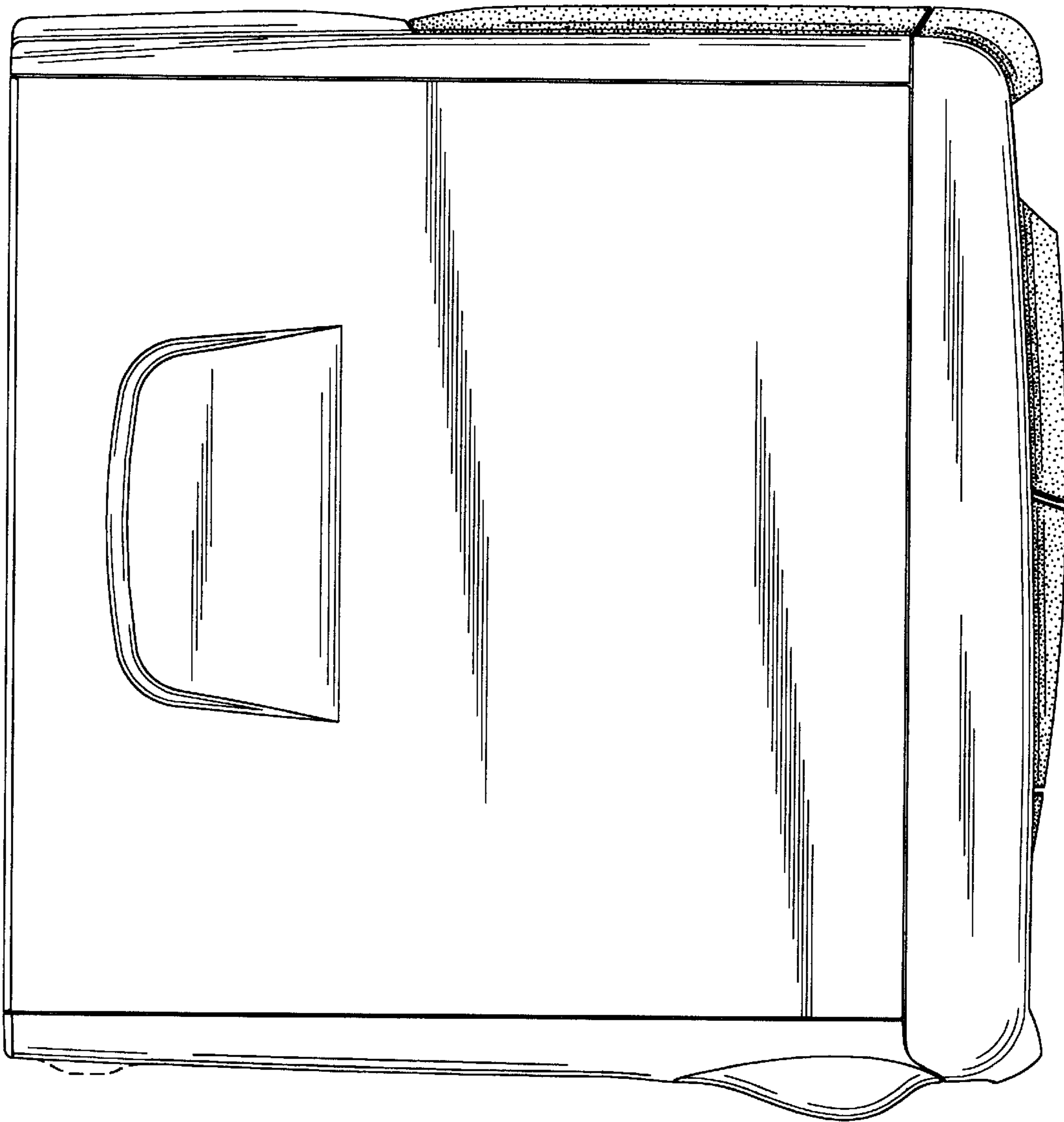
**FIG. 1**



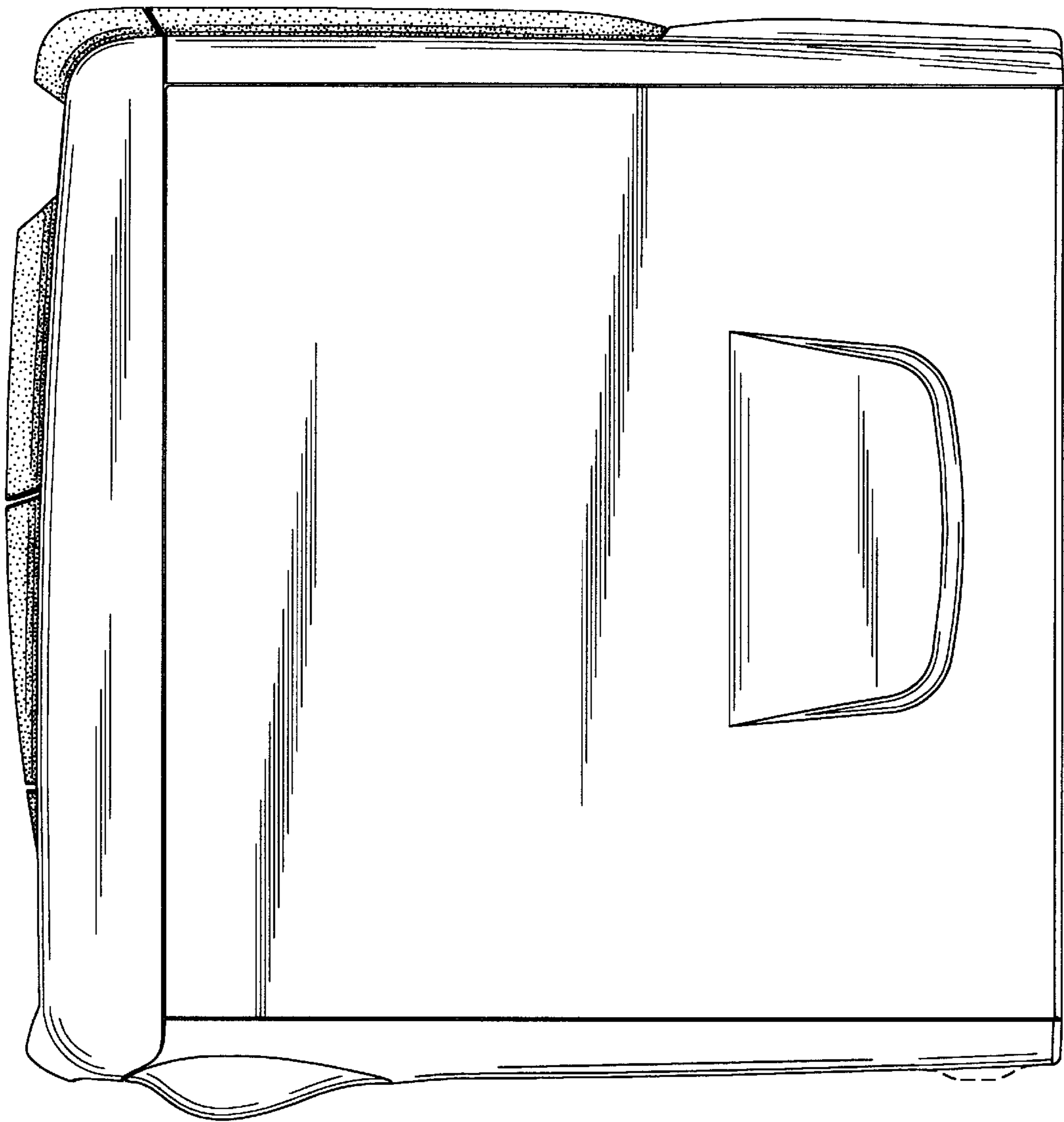
**FIG. 2**



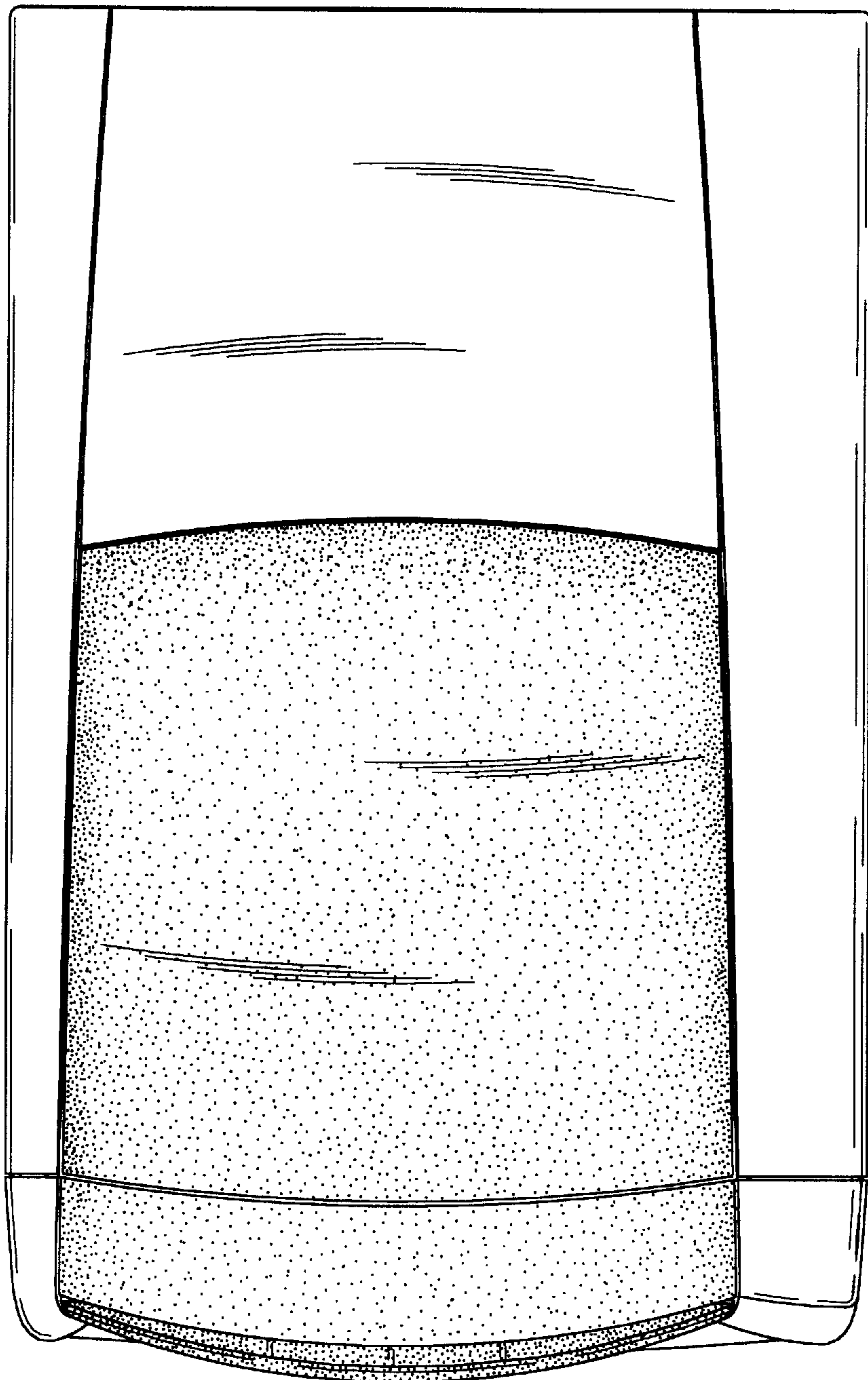
**FIG. 3**



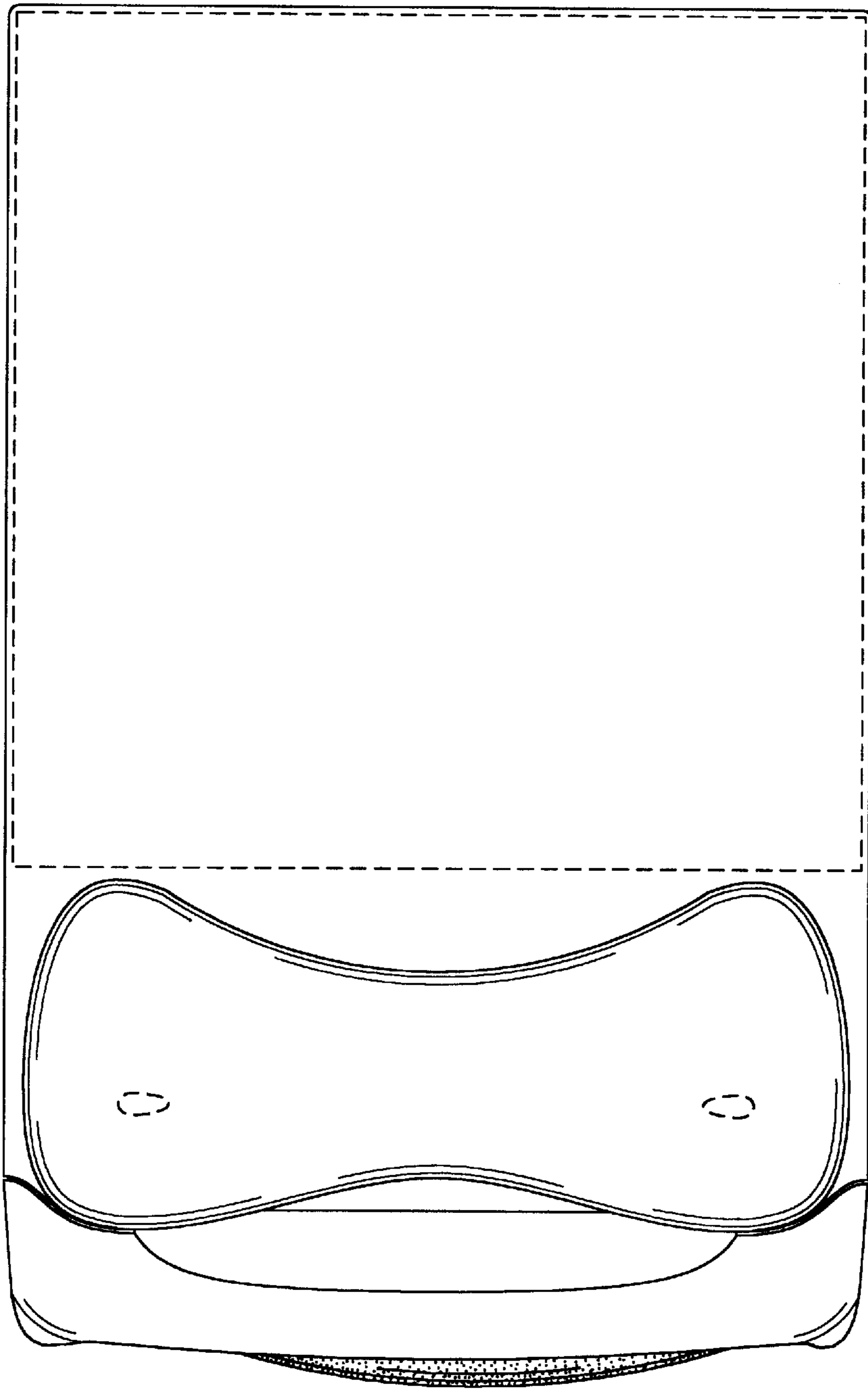
**FIG. 4**



**FIG. 5**

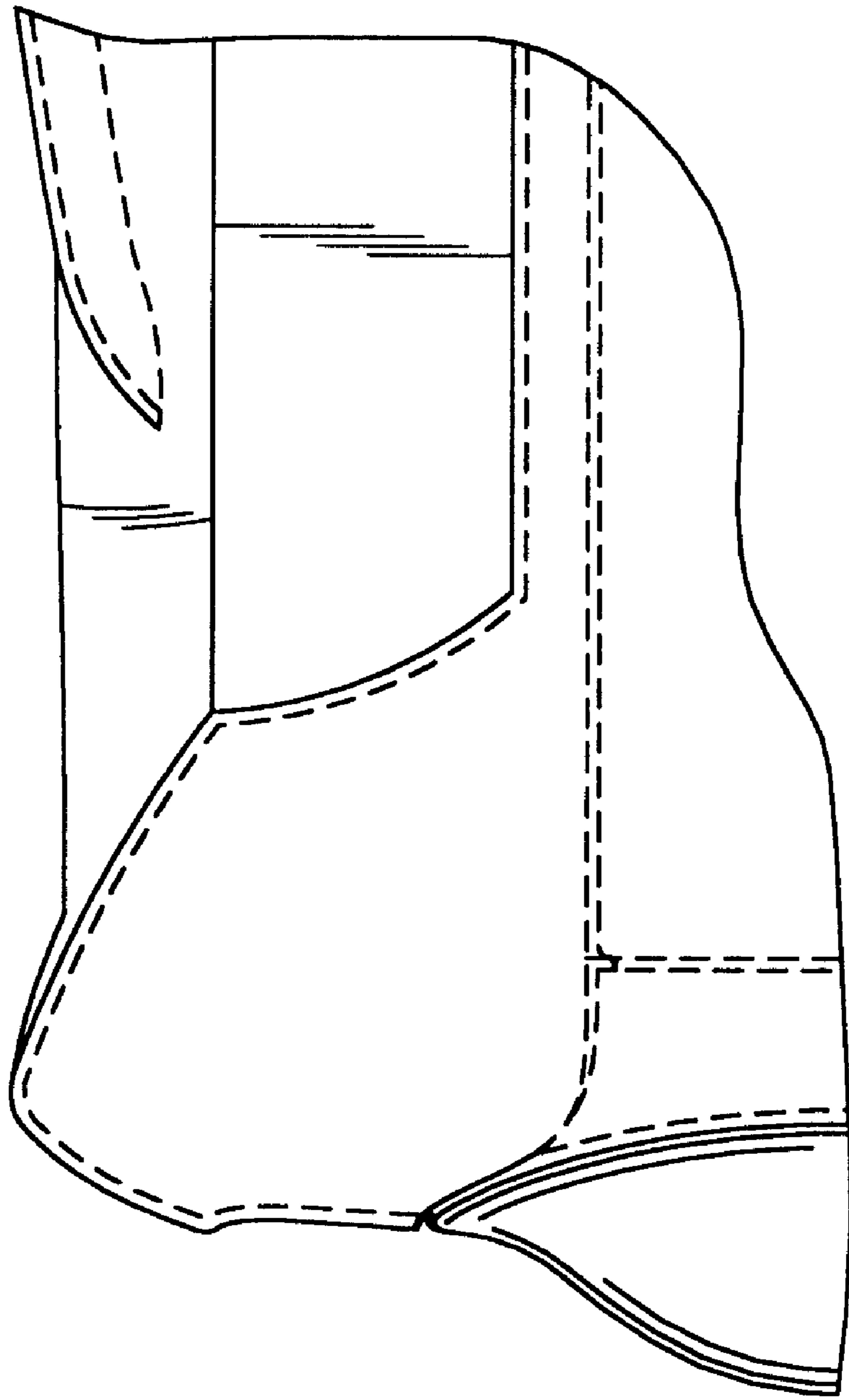


**FIG. 6**



**FIG. 7**





**FIG. 8**