



US00D445416S

(12) **United States Design Patent**
Glezerman

(10) **Patent No.:** **US D445,416 S**

(45) **Date of Patent:** **** Jul. 24, 2001**

(54) **COMMUNICATION HEADSET**

(76) Inventor: **Abraham Glezerman**, 1 Hateena Street, Tel-Aviv (IL), 64925

(**) Term: **14 Years**

(21) Appl. No.: **29/136,260**

(22) Filed: **Jan. 25, 2001**

(51) **LOC (7) Cl.** **14-01**

(52) **U.S. Cl.** **D14/223; D14/206; D16/330**

(58) **Field of Search** **D14/137-138, D14/140, 142, 192, 205, 206, 223; 181/129-130; 379/430, 431, 433; 381/183, 187; D16/309, 330, 335, 336**

(56) **References Cited**

U.S. PATENT DOCUMENTS

D. 318,283	*	7/1991	Cleveland	D16/330
D. 342,080	*	12/1993	Cargle	D16/309
D. 375,313	*	11/1996	Jensen et al.	D14/206
2,832,114	*	4/1958	Mead	D16/330 X
3,769,663	*	11/1973	Perl	D16/309 X

* cited by examiner

Primary Examiner—Nanda Bondade
(74) *Attorney, Agent, or Firm*—Darby & Darby

(57) **CLAIM**

The ornamental design for a communication headset, as shown and described.

DESCRIPTION

FIG. 1 is a perspective view of a communication headset showing my new design;

FIG. 2 is a reduced front elevational view thereof;

FIG. 3 is a left side elevational view thereof;

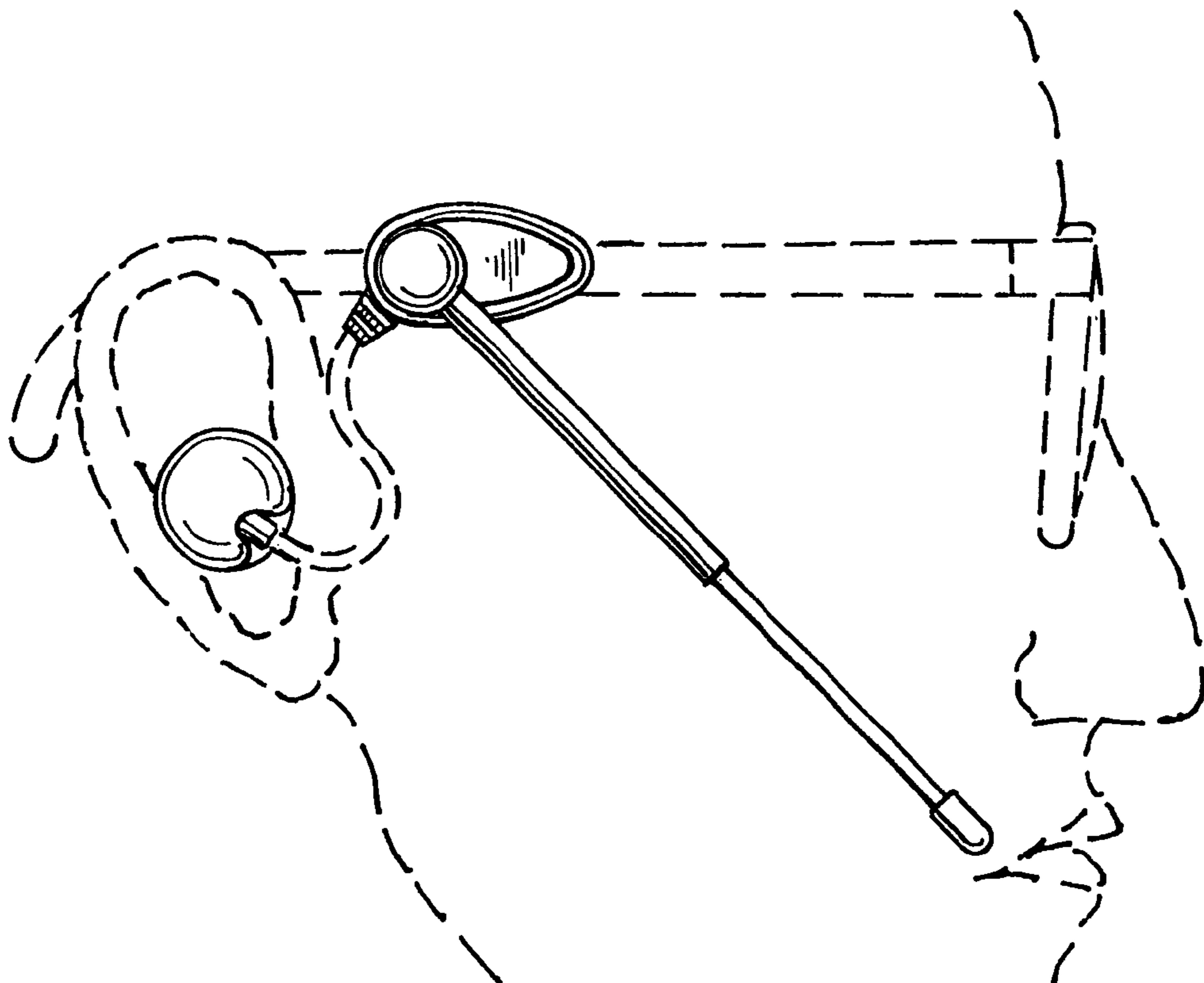
FIG. 4 is a top plan view thereof;

FIG. 5 is a partial rear elevational view thereof, illustrating in phantom lines the attachment of the communication headset to a pair of glasses; and,

FIG. 6 is a left side view of FIG. 2, with the boom shown in a retracted and upwardly hinged position.

The broken lines shown in the Figures, including the wire connecting the earphone and the base, and the clips for attaching the communication headset to a pair of glasses, as well as the position and arrangement of such elements, illustrate the environment only and form no part of the claimed design.

1 Claim, 2 Drawing Sheets



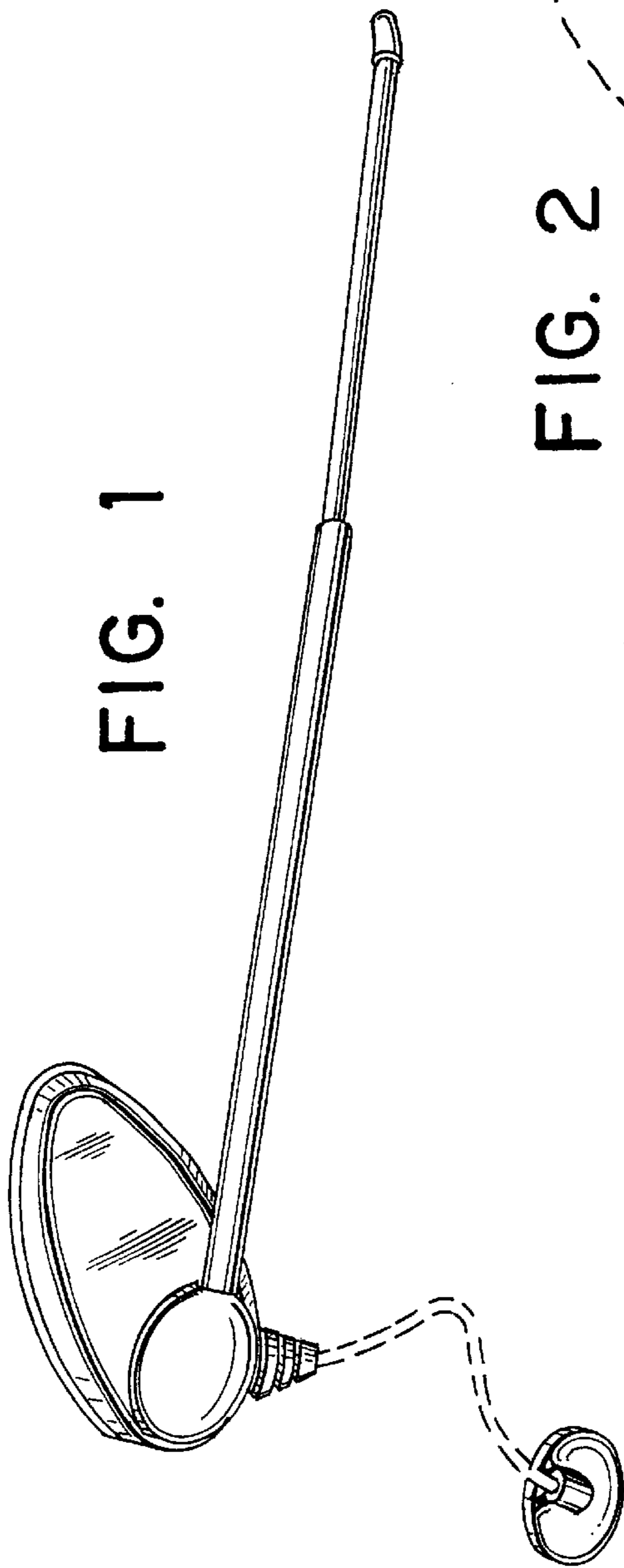


FIG. 1

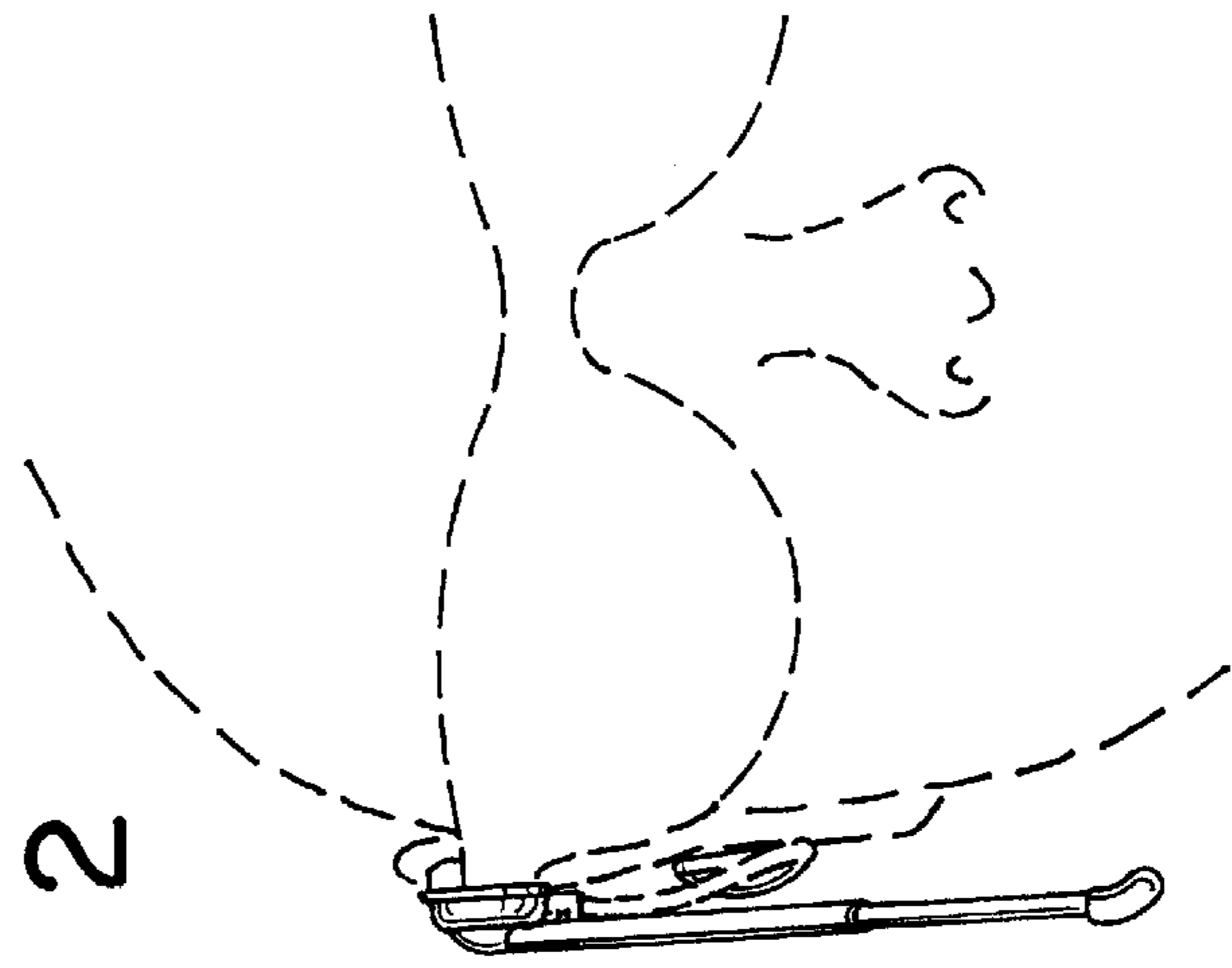


FIG. 2

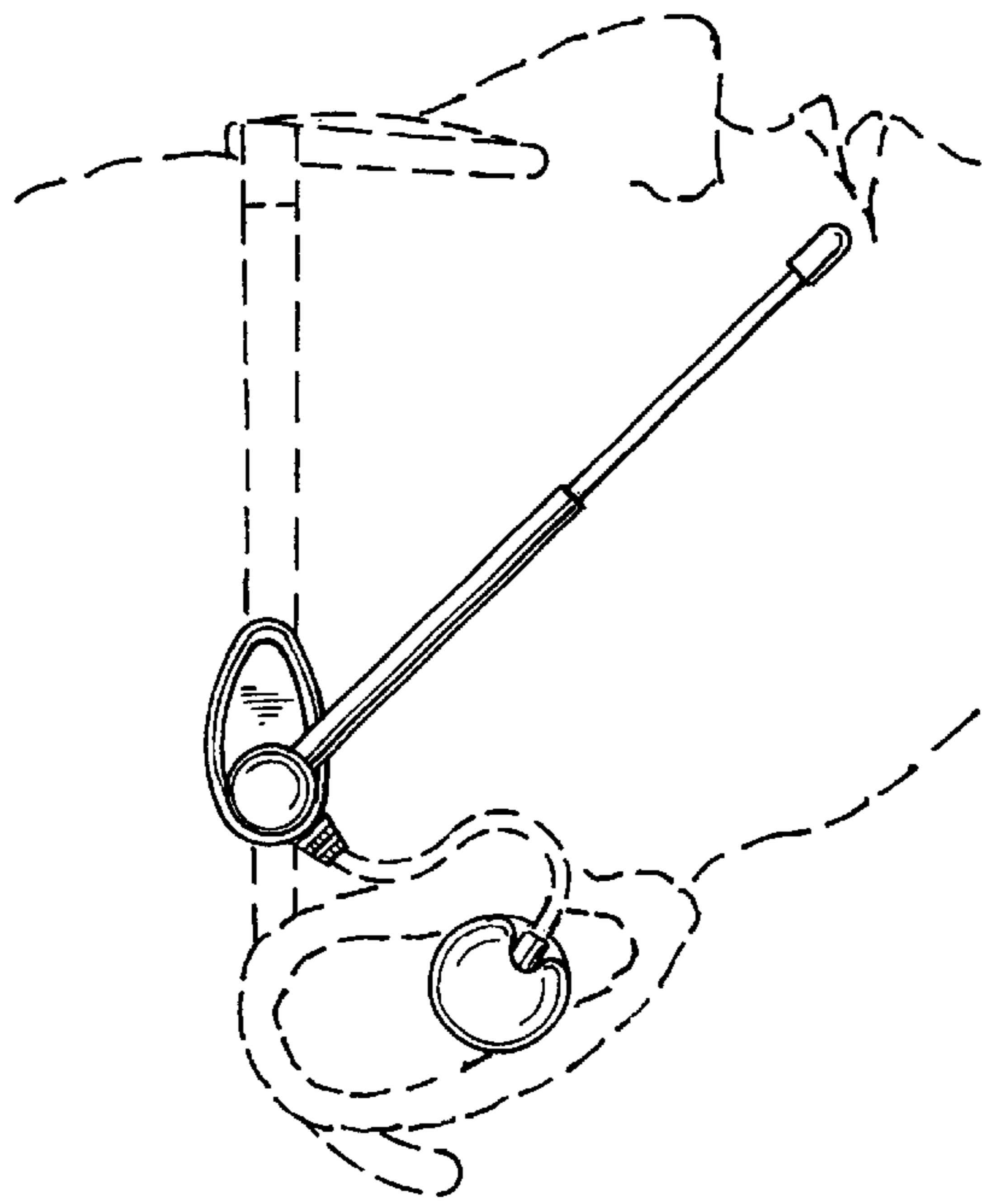


FIG. 3

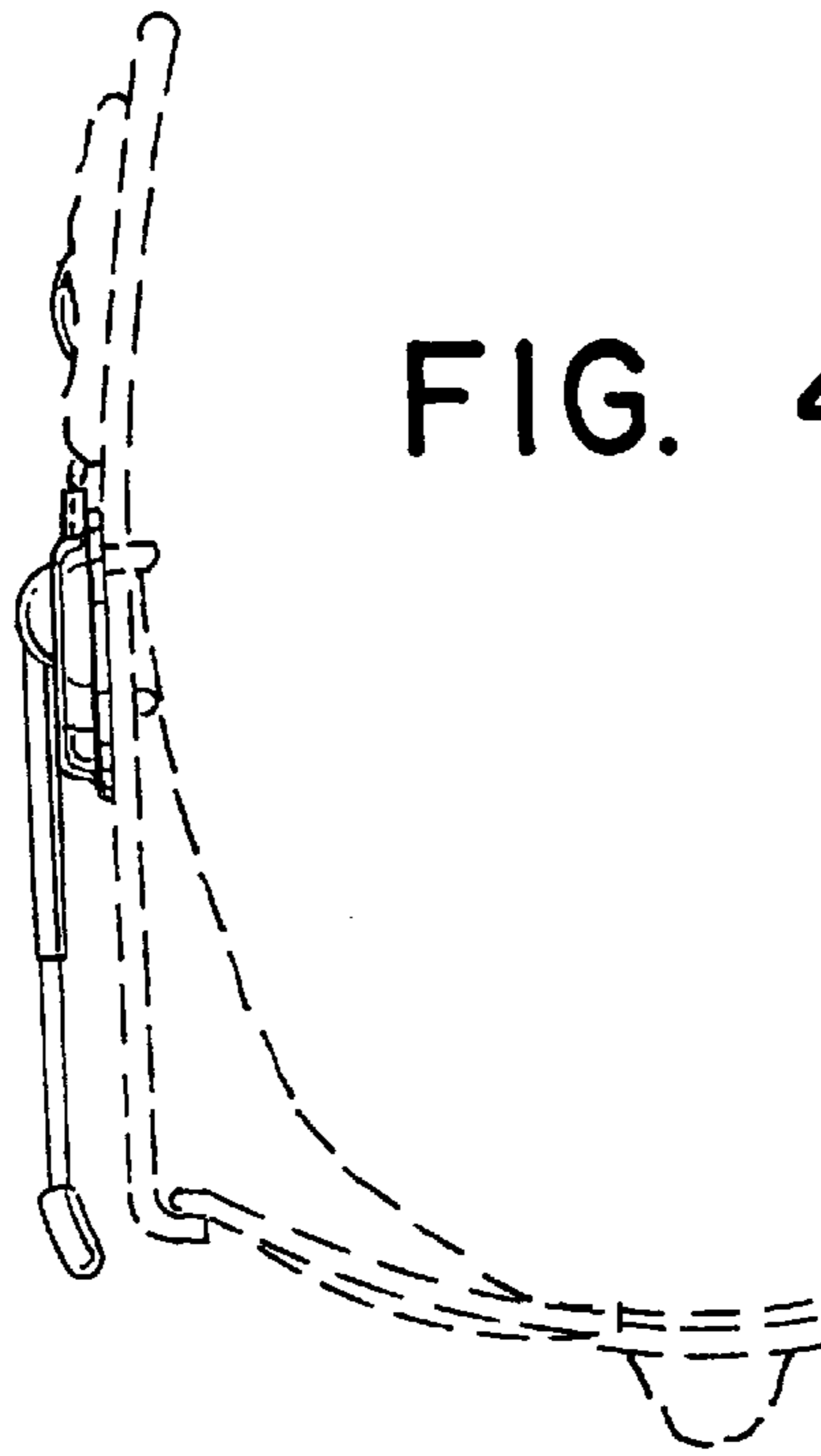


FIG. 4

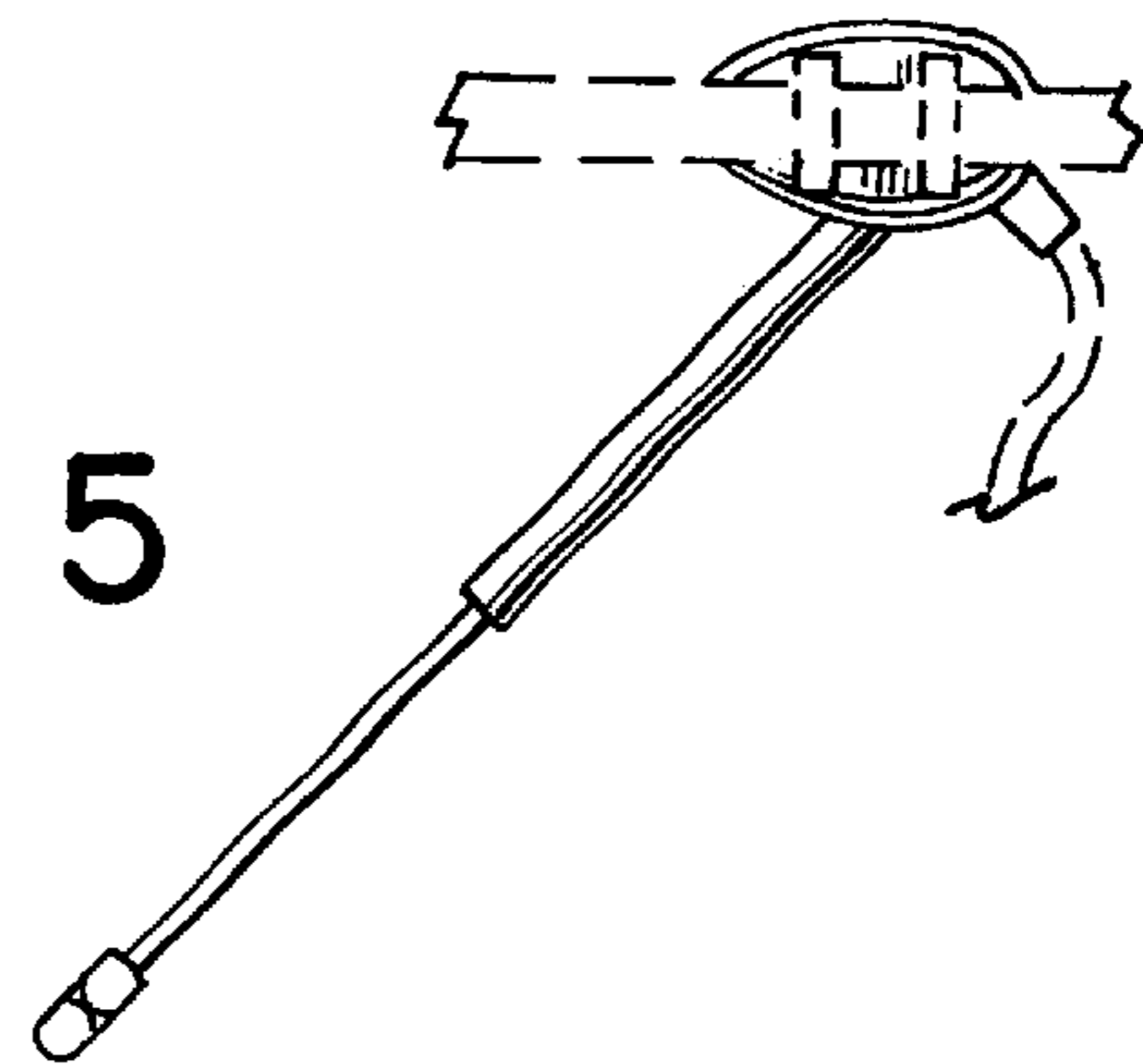


FIG. 5

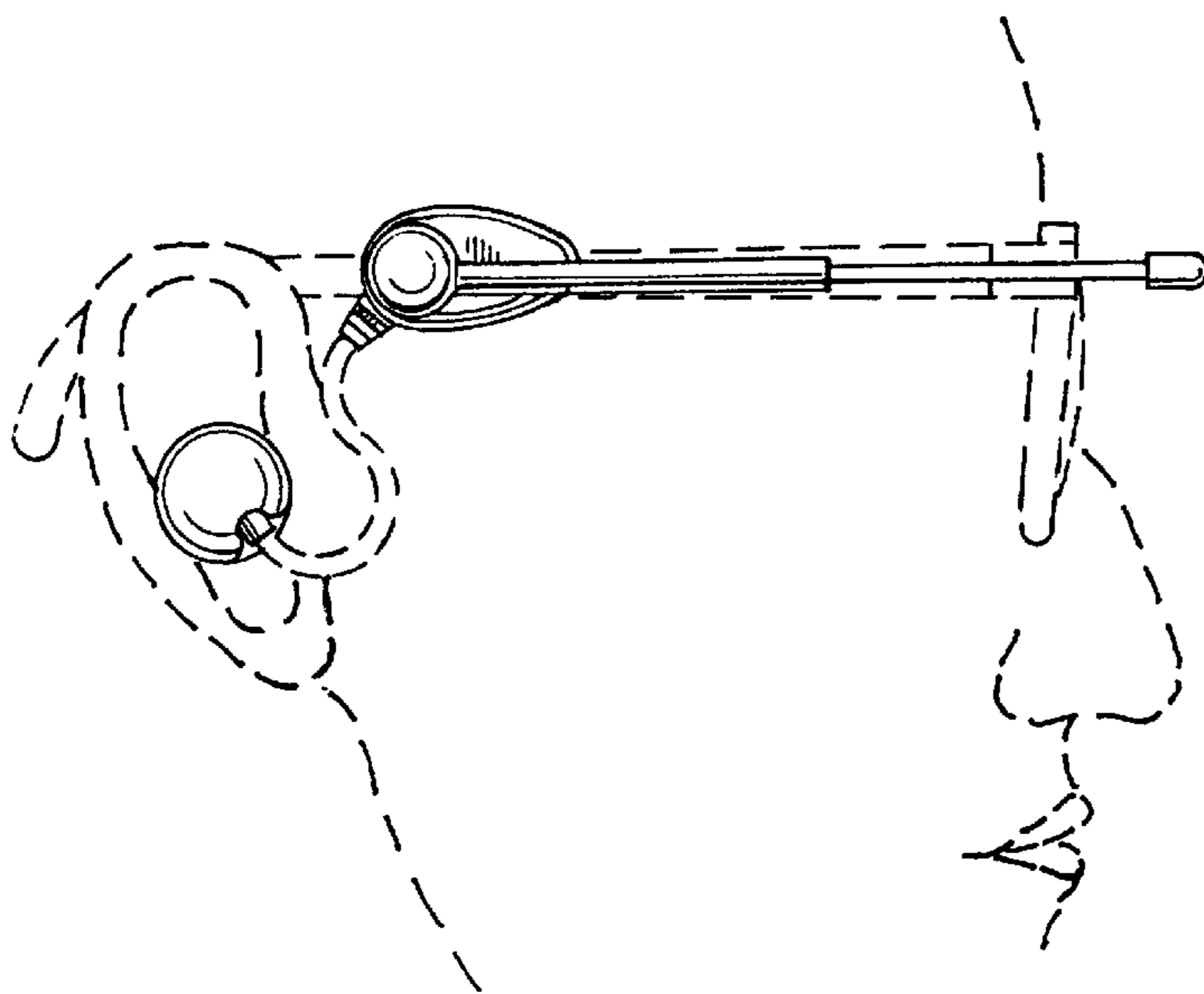


FIG. 6