



US00D445414S

(12) **United States Design Patent**  
**Powers, Jr.**

(10) **Patent No.:** **US D445,414 S**

(45) **Date of Patent:** **\*\* Jul. 24, 2001**

(54) **SPEAKER HOUSING AND SOUND REFLECTOR STAND**

2,001,646 \* 5/1935 Abitsch ..... 47/39  
3,395,486 \* 8/1968 Campbell ..... 47/65.7

(76) Inventor: **Art Richard Powers, Jr.**, 112 N. Main St., Port Chester, NY (US) 10573

\* cited by examiner

(\*\*) Term: **14 Years**

*Primary Examiner*—Nanda Bondade

(74) *Attorney, Agent, or Firm*—Lackebach Siegel Marzullo Aronson & Greenspan

(21) Appl. No.: **29/129,077**

(57) **CLAIM**

(22) Filed: **Sep. 6, 2000**

The ornamental design of a speaker housing and sound reflector stand, as shown.

(51) **LOC (7) Cl.** ..... **14-01**

**DESCRIPTION**

(52) **U.S. Cl.** ..... **D14/207; D11/152**

(58) **Field of Search** ..... D6/403, 556, 183; D11/143, 144, 152-155; D14/204, 207, 210-216; 47/65.7, 66.1, 33, 39; 181/144-145, 147-148, 150, 153, 198-199; 381/300-302, 359, 361, 430-432

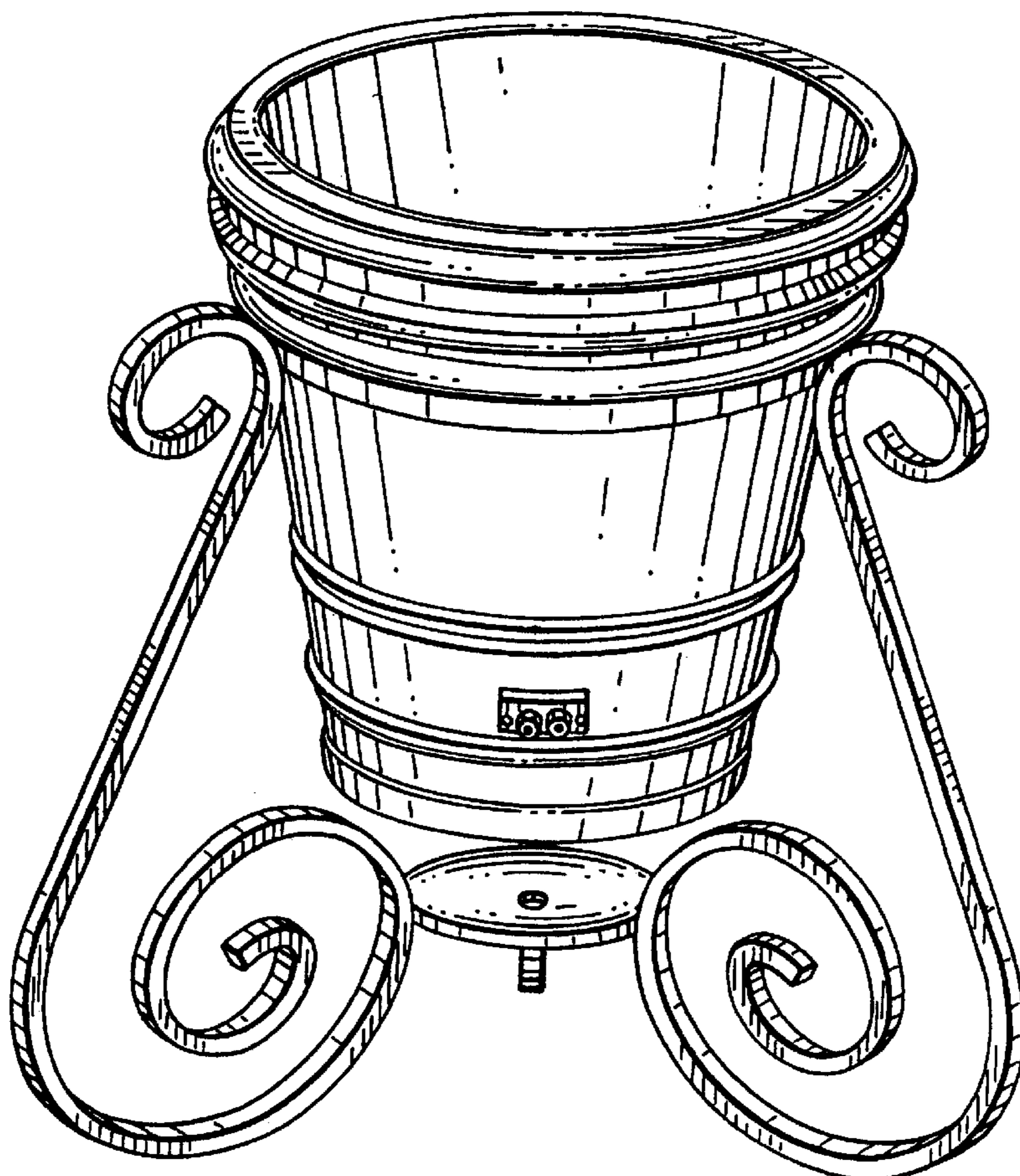
FIG. 1 is an exploded view, in perspective, of my ornamental speaker housing and sound reflector stand;  
FIG. 2 is a front perspective view thereof, shown in the assembled condition;  
FIG. 3 is a top plan view thereof;  
FIG. 4 is a front elevational view thereof;  
FIG. 5 is a right side elevational view thereof;  
FIG. 6 is a left side elevational view thereof;  
FIG. 7 is a rear elevational view thereof, partially cut away showing the inside details; and,  
FIG. 8 is a bottom plan view thereof.

(56) **References Cited**

**U.S. PATENT DOCUMENTS**

- D. 36,086 \* 9/1902 Olson ..... D6/183
- D. 250,686 \* 1/1979 Ashcraft ..... D6/143
- D. 370,187 \* 5/1996 Sanderson ..... D11/152
- D. 398,557 \* 9/1998 Grosfillex ..... D11/152

**1 Claim, 8 Drawing Sheets**



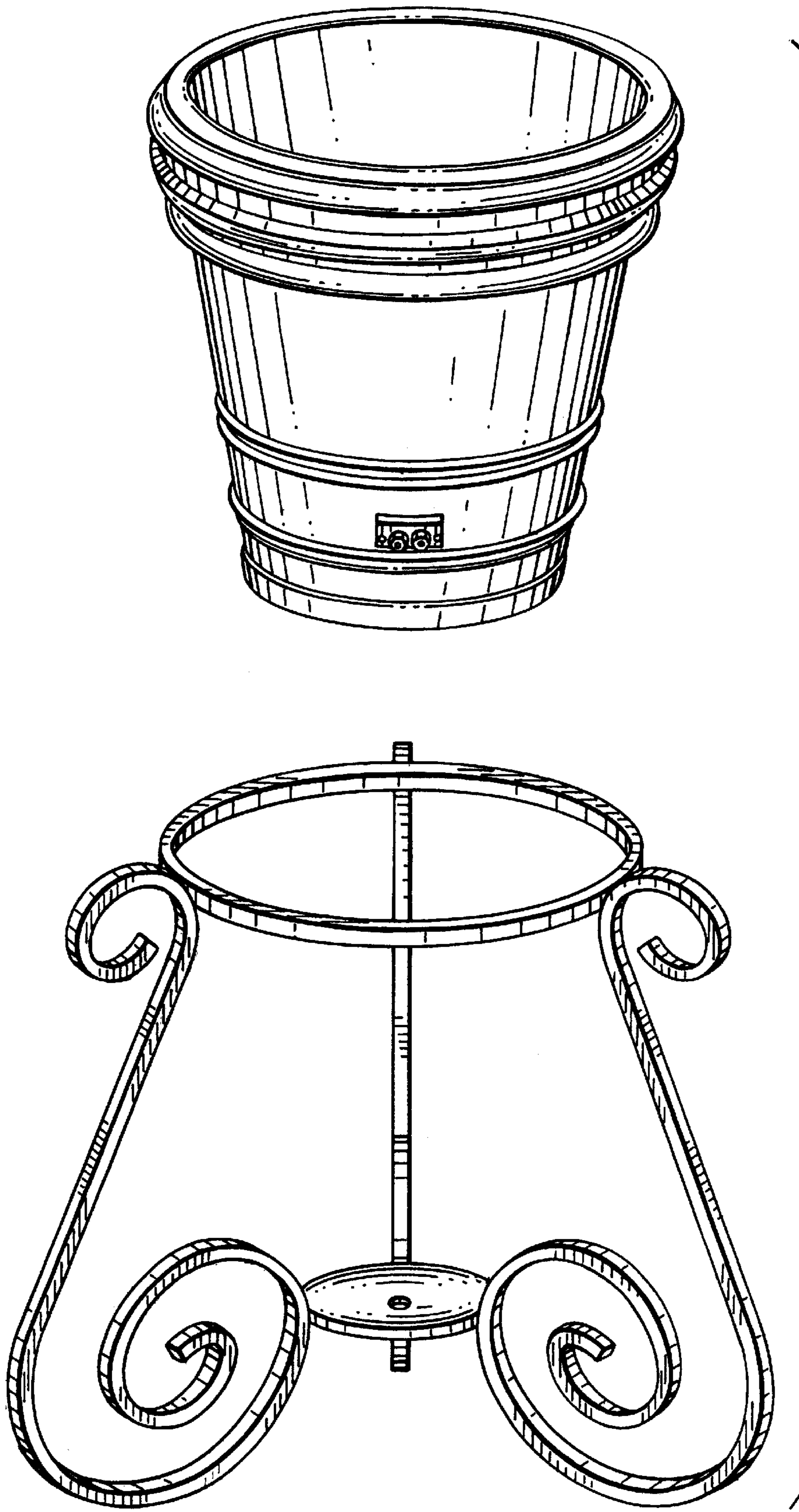


FIG. 1

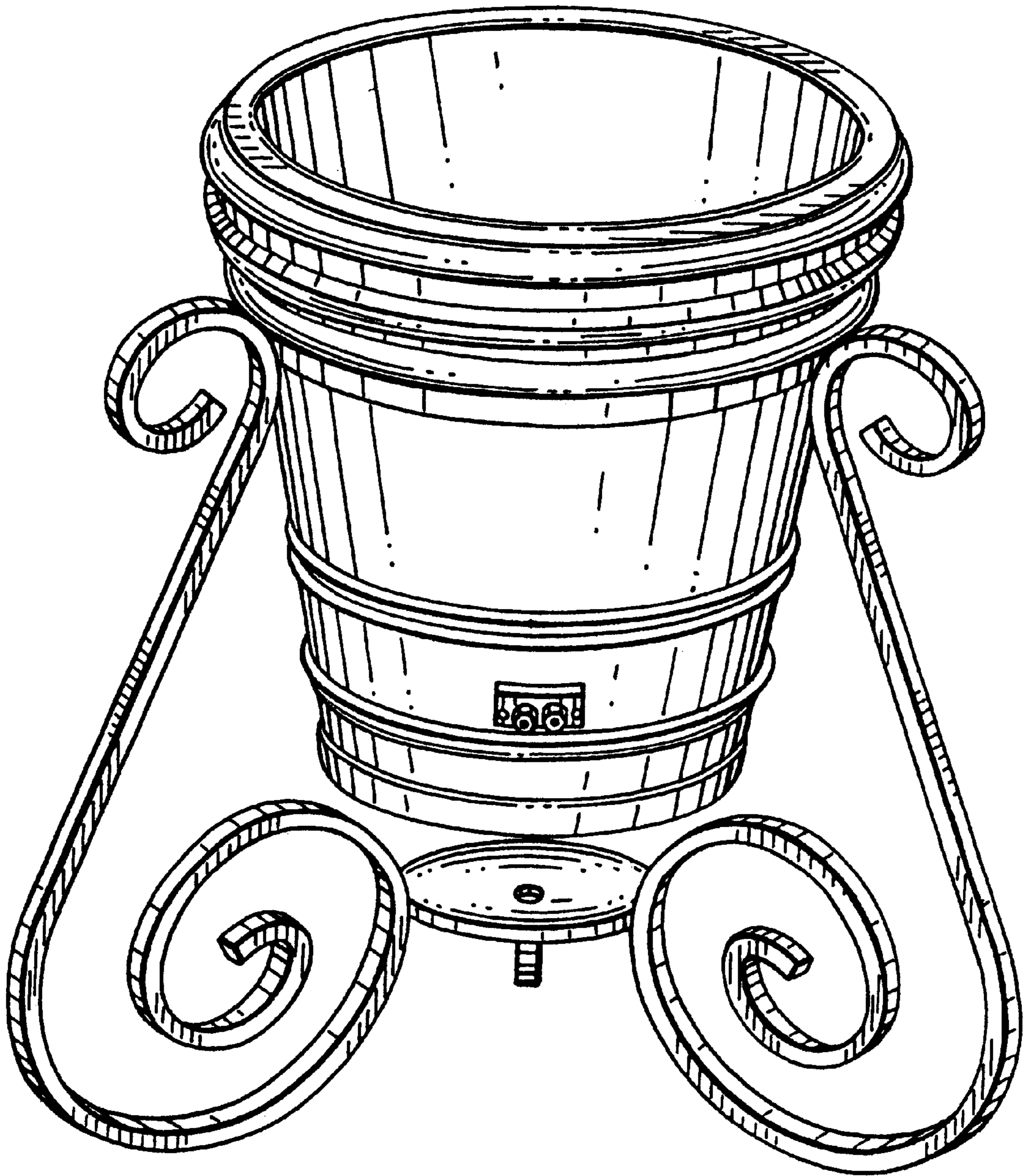


FIG. 2

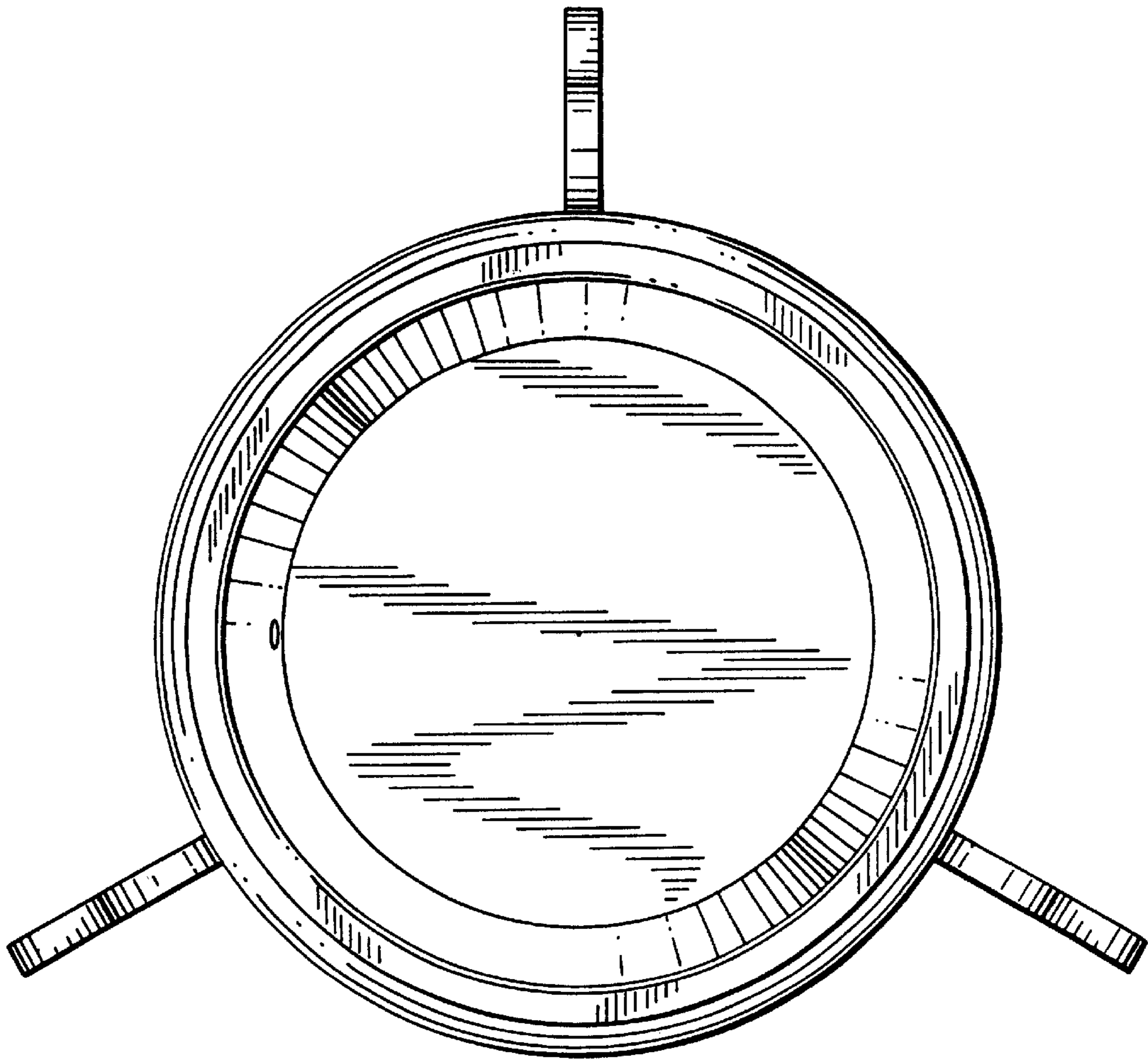
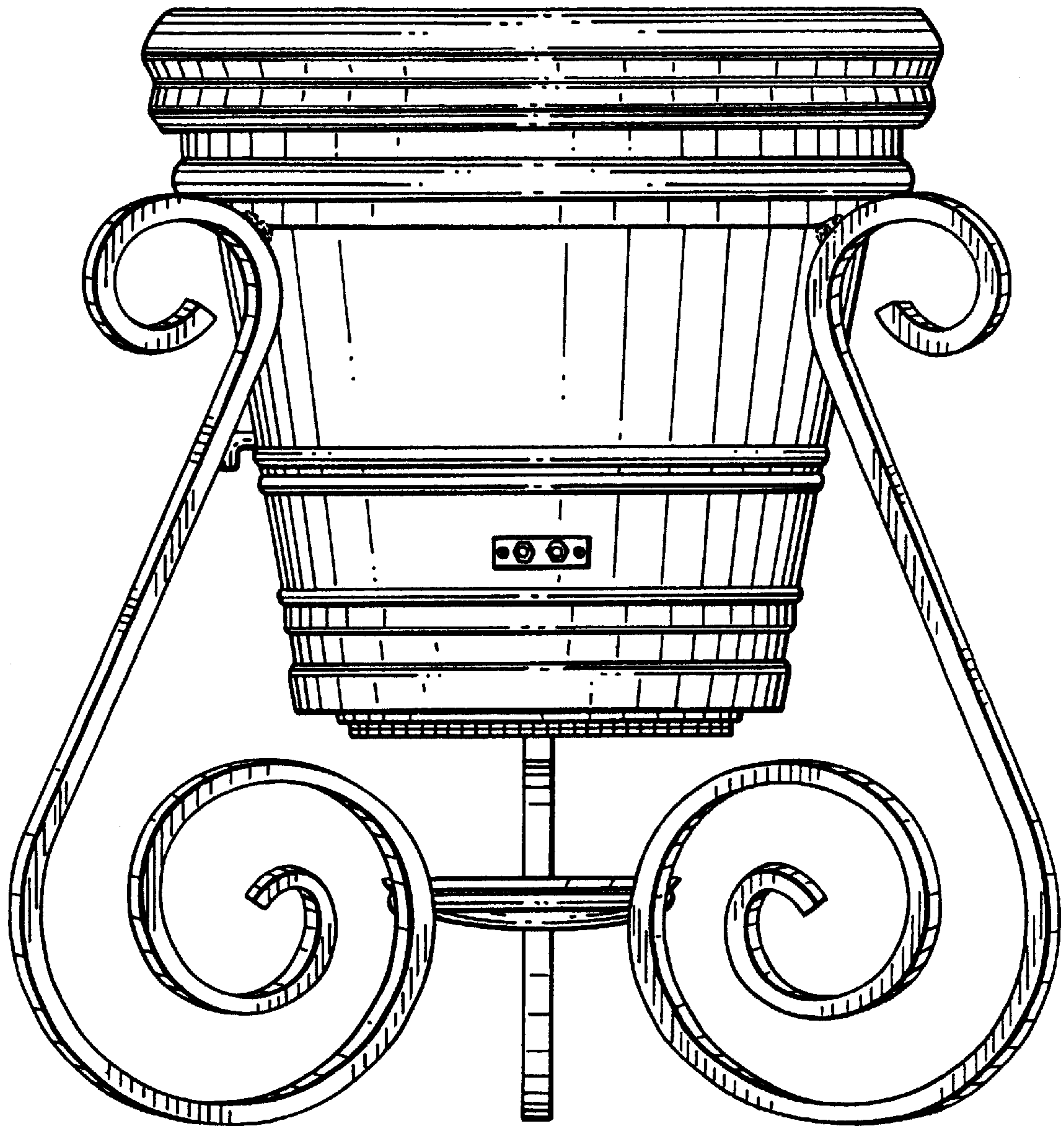


FIG. 3

FIG. 4



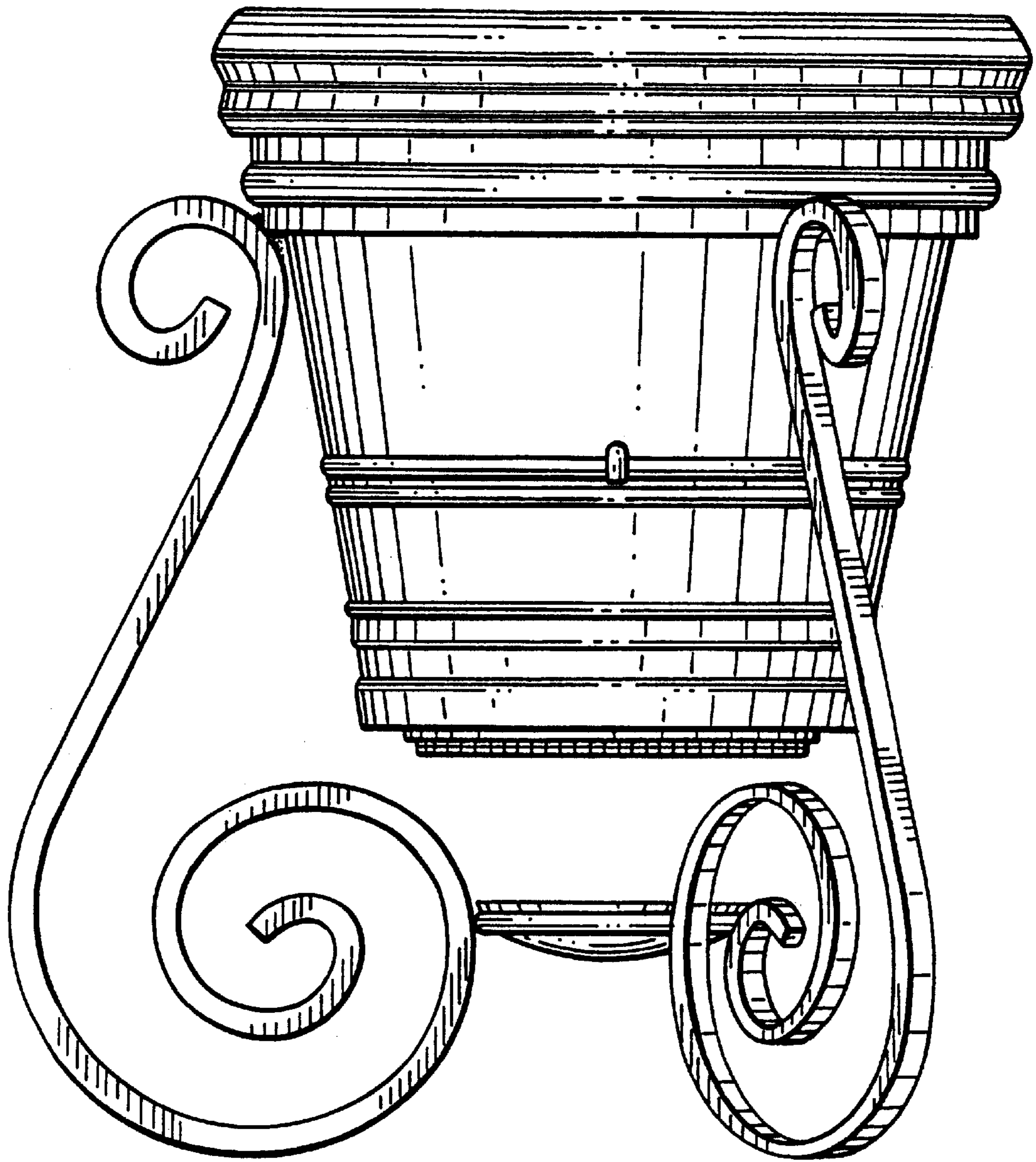


FIG. 5

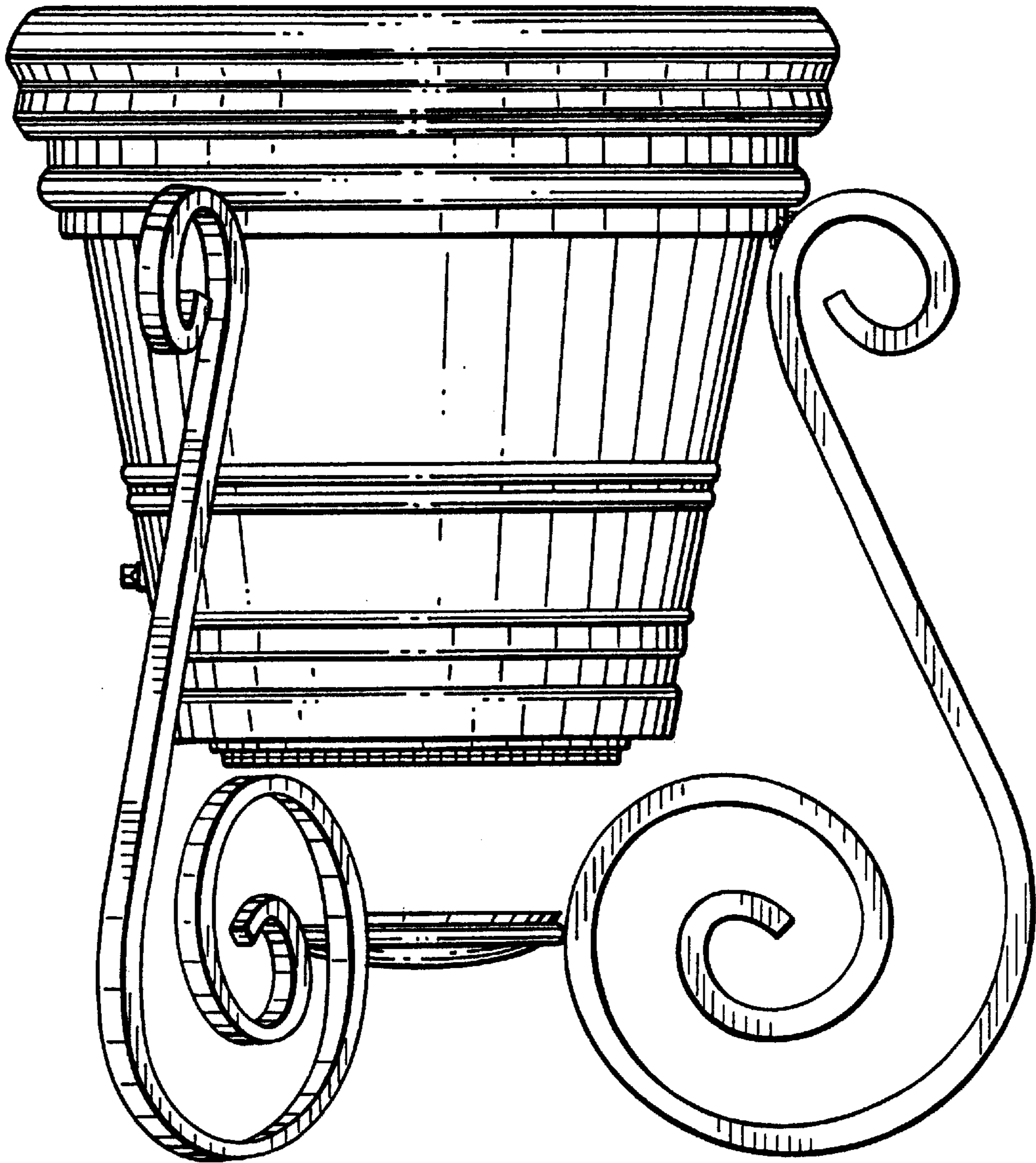


FIG. 6

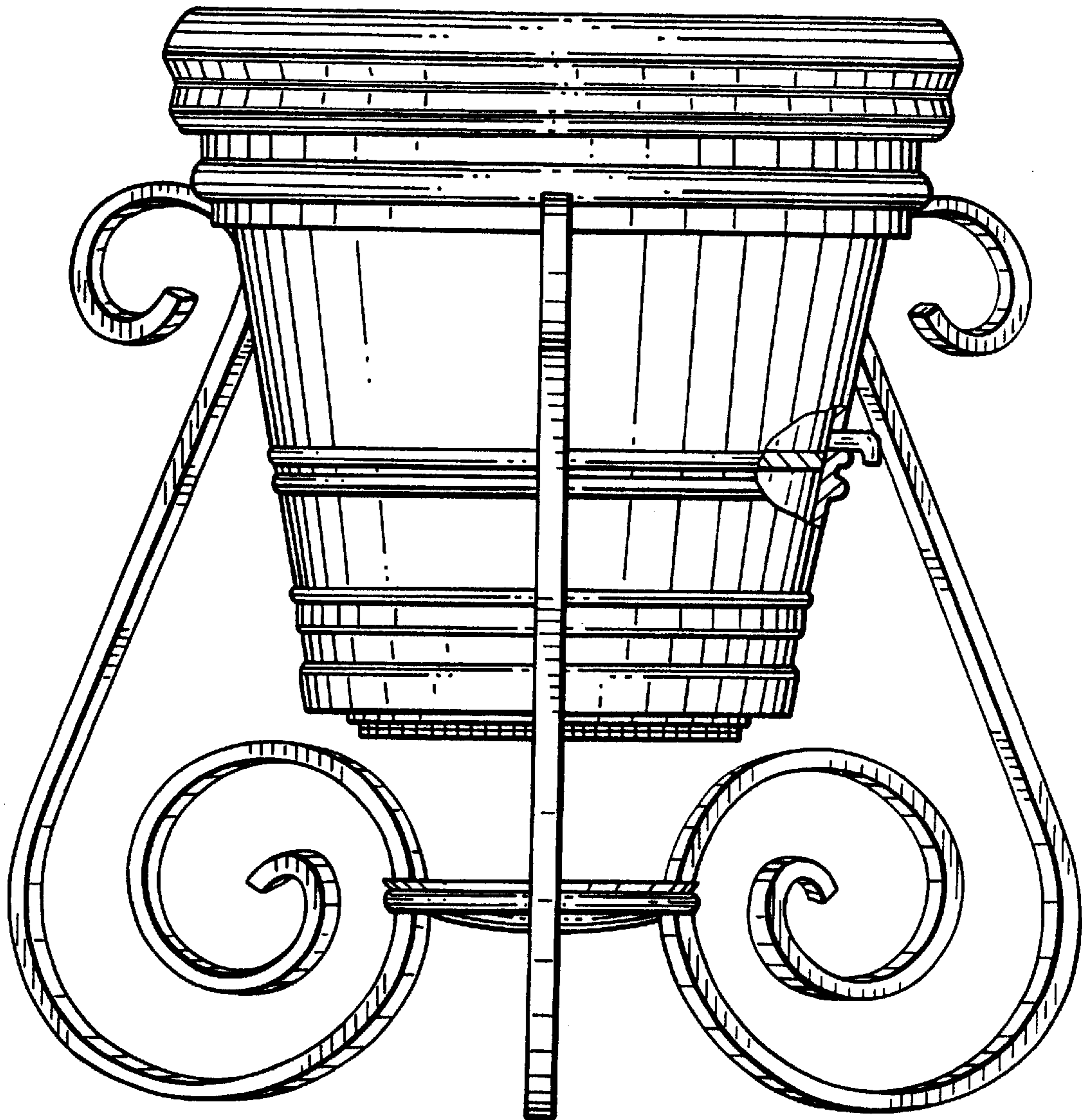


FIG. 7



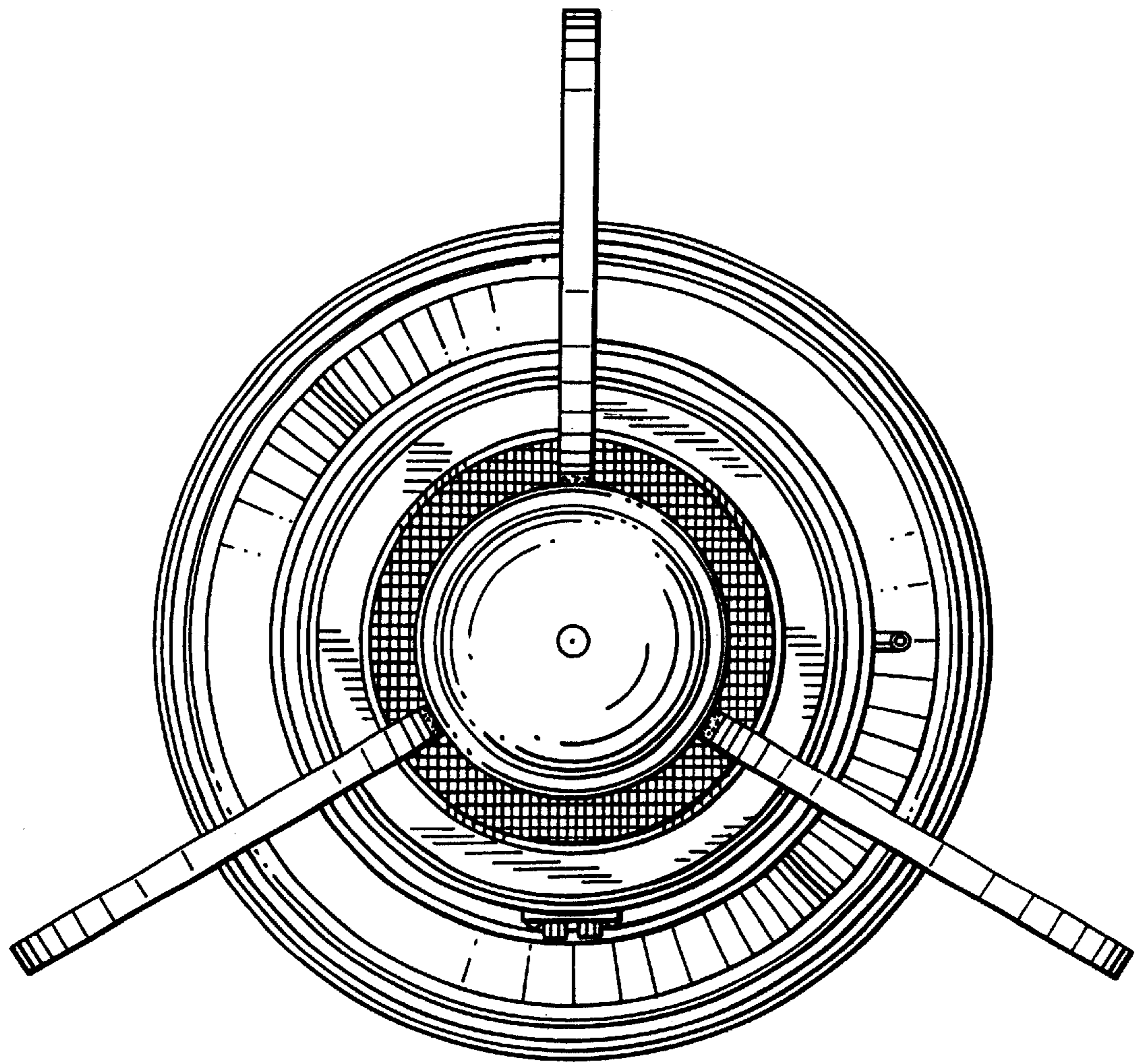


FIG. 8