



US00D445413S

(12) **United States Design Patent**
Yano

(10) **Patent No.:** **US D445,413 S**

(45) **Date of Patent:** **** Jul. 24, 2001**

(54) **COMBINED WIRELESS TELEPHONE AND CAMERA**

(75) Inventor: **Ken Yano**, Tokyo (JP)

(73) Assignee: **Sony Corporation**, Tokyo (JP)

(**) Term: **14 Years**

(21) Appl. No.: **29/135,256**

(22) Filed: **Jan. 9, 2001**

(51) **LOC (7) Cl.** **14-03**

(52) **U.S. Cl.** **D14/138; D14/144**

(58) **Field of Search** D14/137, 138,
D14/218, 147-148, 247-248, 144, 341-347;
379/433.434, 419, 420, 428, 440; 455/550-575,
90; 348/14.01, 14.02

(56) **References Cited**

U.S. PATENT DOCUMENTS

D. 379,983	6/1997	Shindou .	
D. 405,081	* 2/1999	Nagele et al.	D14/138
D. 406,136	2/1999	Sato .	
D. 408,402	* 4/1999	Shimelfarb et al.	D14/138
D. 414,764	* 10/1999	Hwang et al.	D14/130
D. 419,155	* 1/2000	Nagele et al.	D14/138
D. 424,557	* 5/2000	Nagele et al.	D14/138
D. 425,054	* 5/2000	Hwang et al.	D14/130
D. 429,228	* 8/2000	Nagele et al.	D14/138
D. 429,709	* 8/2000	Nagele et al.	D14/138
D. 430,859	* 9/2000	Lindeman et al.	D14/138
D. 432,105	* 10/2000	Hyun	D14/138
D. 434,402	* 11/2000	Lee	D14/138
D. 435,526	* 12/2000	Huang et al.	D14/130
D. 435,837	* 1/2001	Suzuki et al.	D14/138
5,485,504	* 1/1996	Ohnsorge	455/566

5,491,507	* 2/1996	Umezawa et al.	348/14.02
5,612,732	* 3/1997	Yuyama et al.	348/14.01
5,825,408	* 10/1998	Yuyama et al.	348/14.01
5,867,795	* 2/1999	Novis et al.	455/566
6,006,105	* 12/1999	Rostoker et al.	455/552
6,069,648	* 5/2000	Suso et al.	348/14.02
6,073,034	* 6/2000	Jacobsen et al.	455/566
6,137,525	* 10/2000	Lee et al.	348/14.02

FOREIGN PATENT DOCUMENTS

40 6-152459 * 5/1994 (JP) .

OTHER PUBLICATIONS

Home page Digital Mova P 209iS ^{HYPER} Digital 800 ^{MHZ}, 3 sheets, NTTDoCoMo, Sep. 26, 2000.

* cited by examiner

Primary Examiner—Jeffrey Asch

(74) *Attorney, Agent, or Firm*—Rader, Fishman & Graur, PLLC

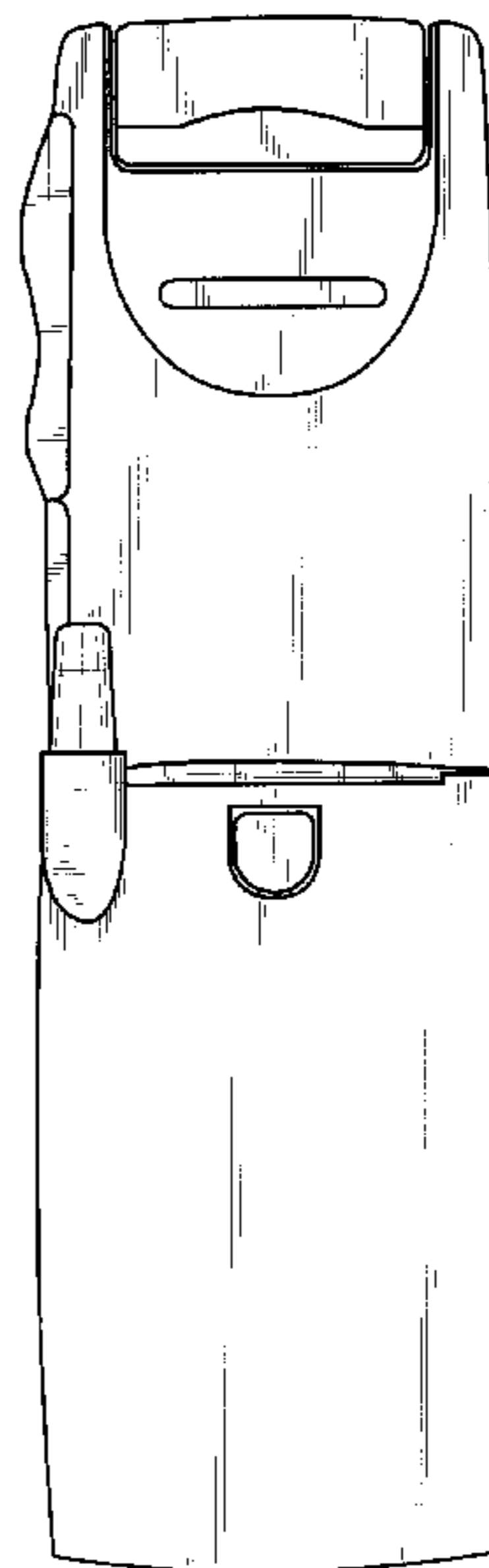
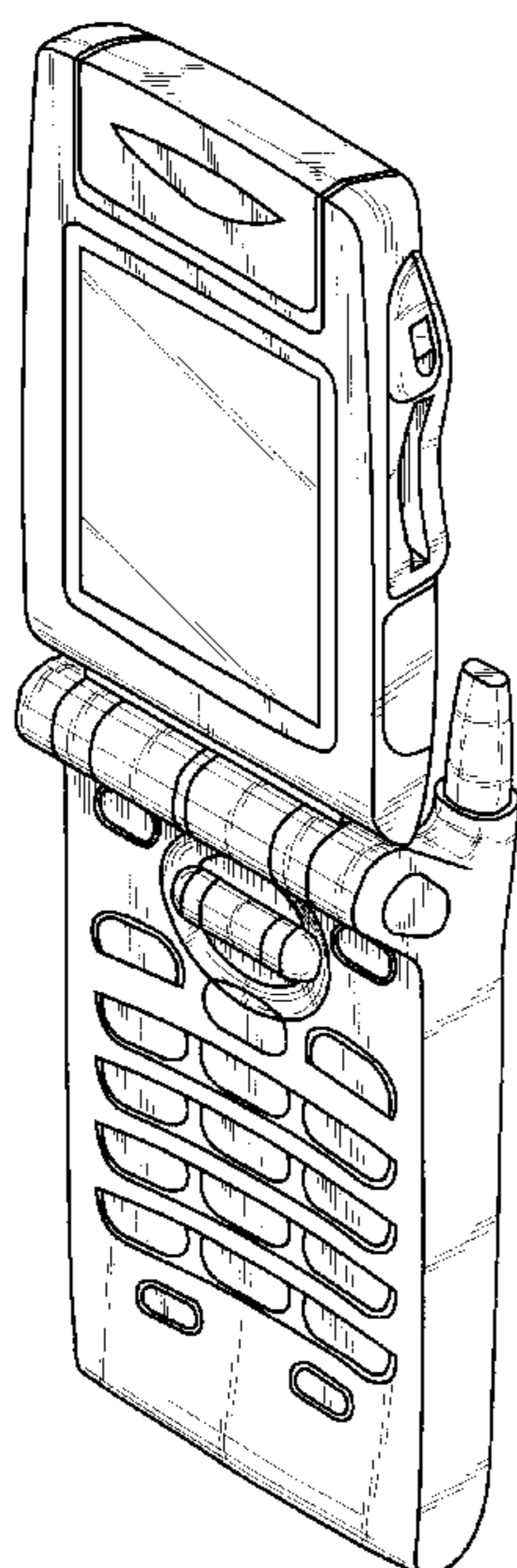
(57) **CLAIM**

The ornamental design for a combined wireless telephone and camera, as shown and described.

DESCRIPTION

FIG. 1 is a perspective view of a combined wireless telephone and camera showing my new design; FIG. 2 is a front elevational view thereof; FIG. 3 is a rear elevational view thereof; FIG. 4 is a left side elevational view thereof; FIG. 5 is a right side elevational view thereof; FIG. 6 is a top plan view thereof; and, FIG. 7 is a bottom plan view thereof.

1 Claim, 4 Drawing Sheets



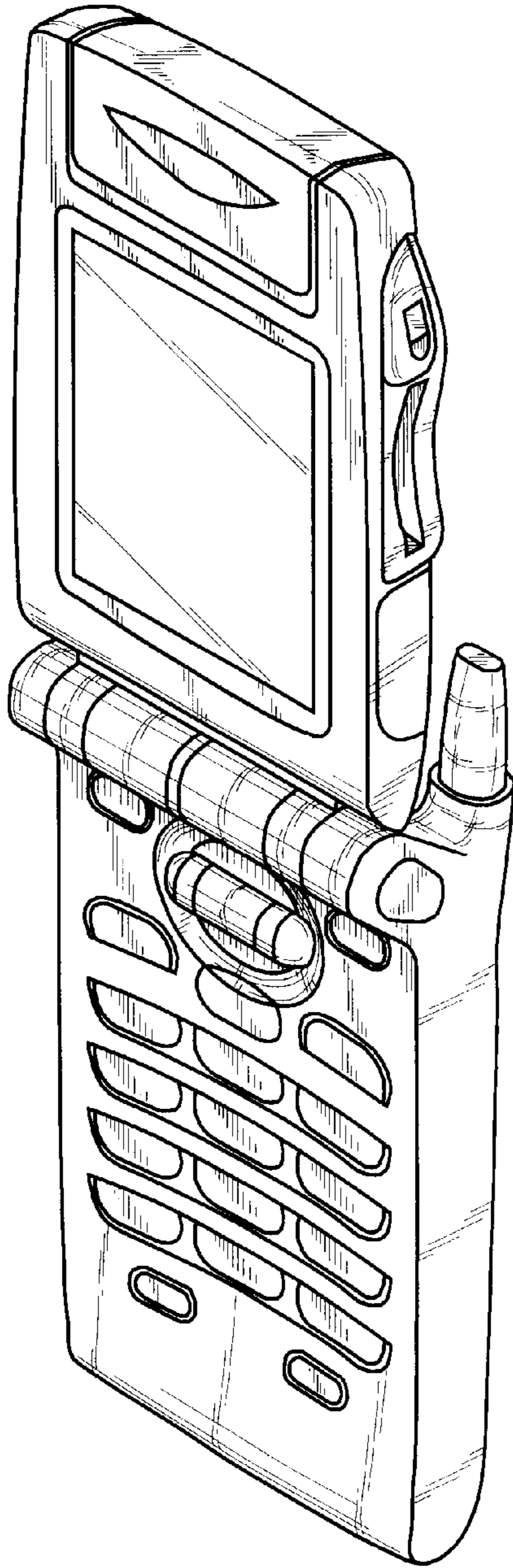


Fig. 1

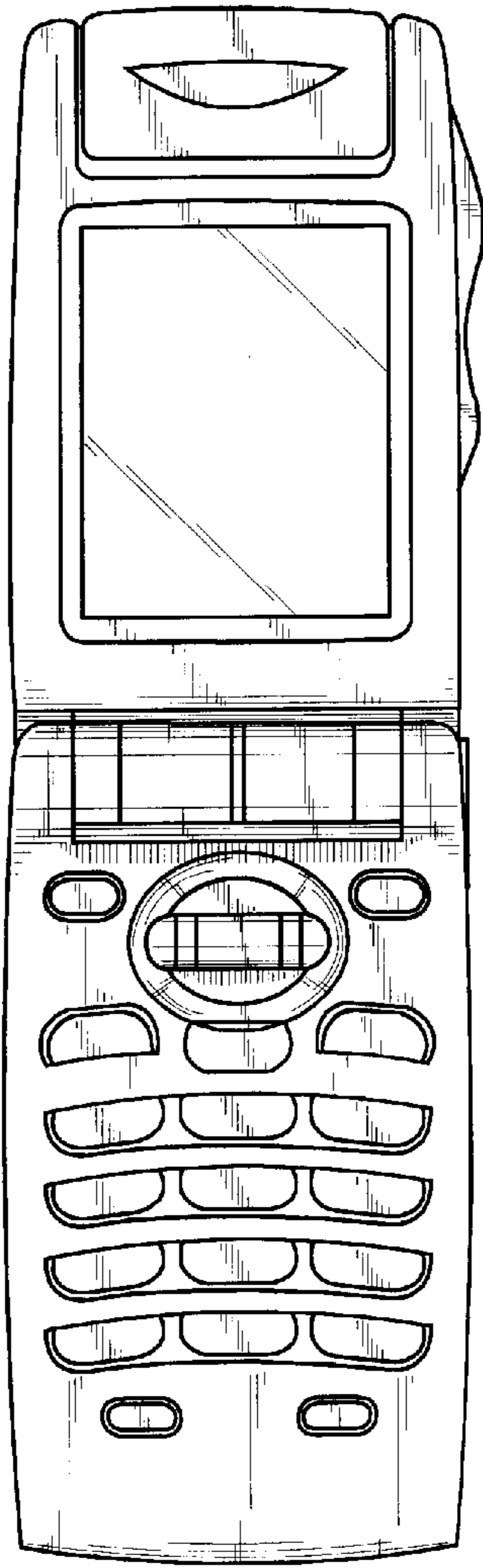


Fig. 2

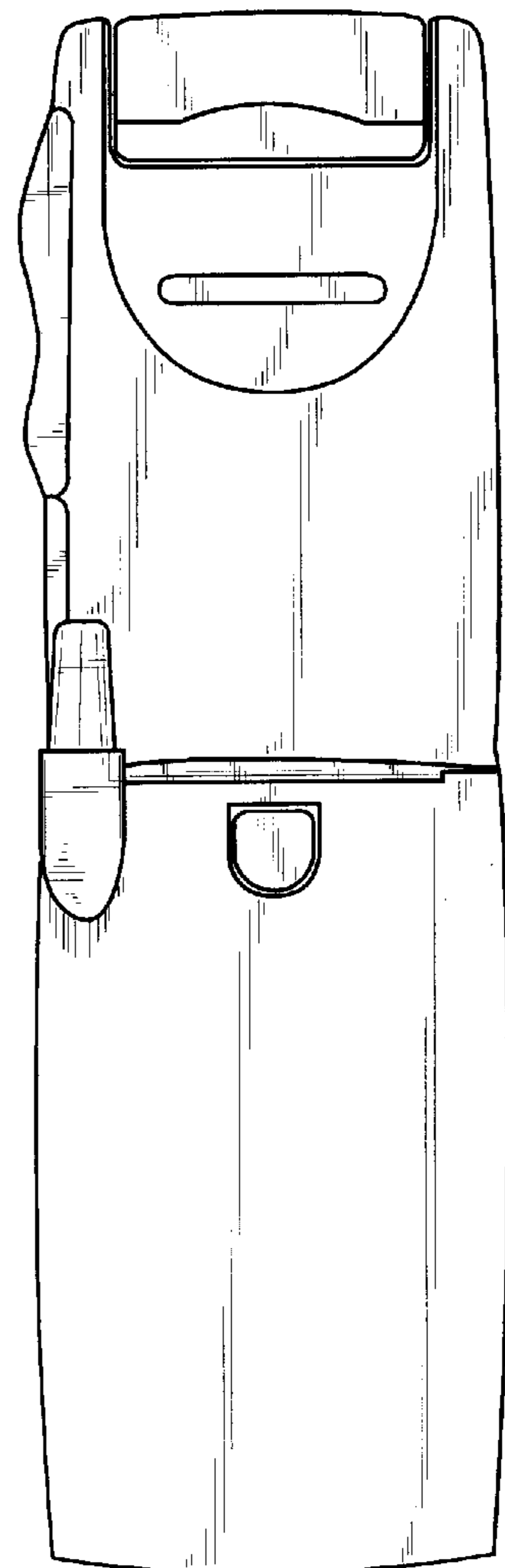


Fig. 3

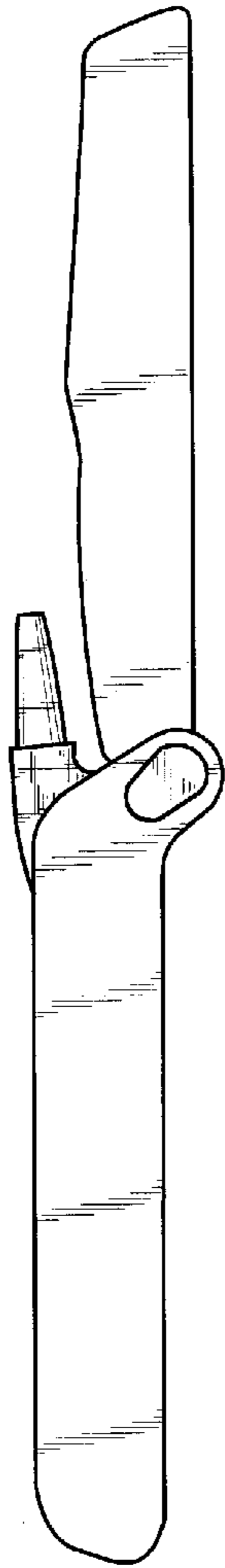


Fig. 4

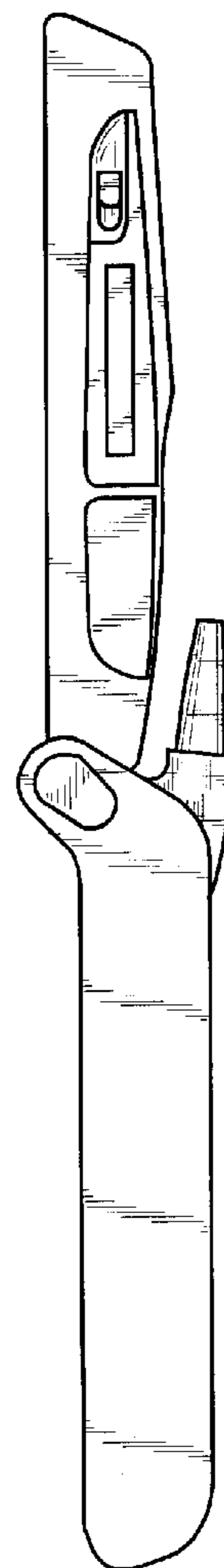


Fig. 5

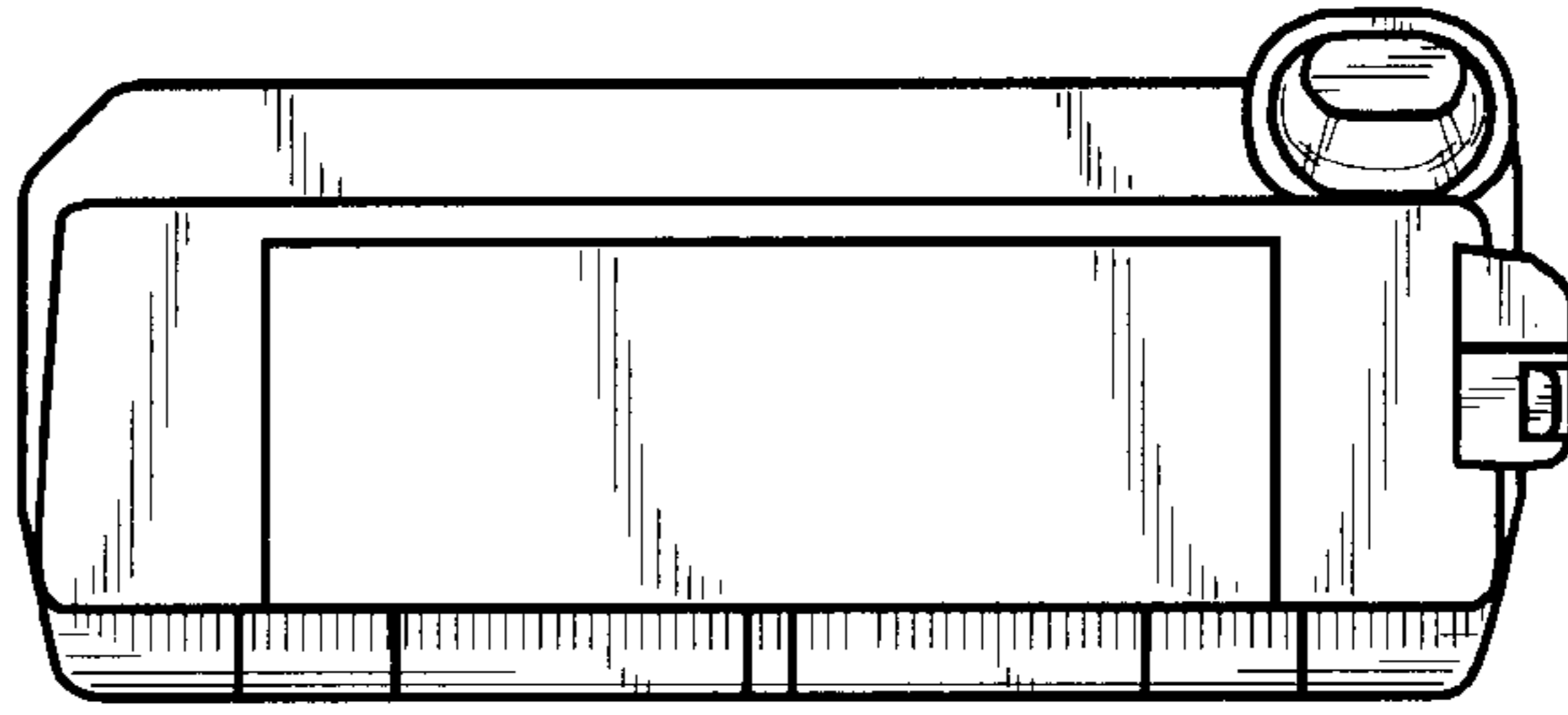


Fig. 6

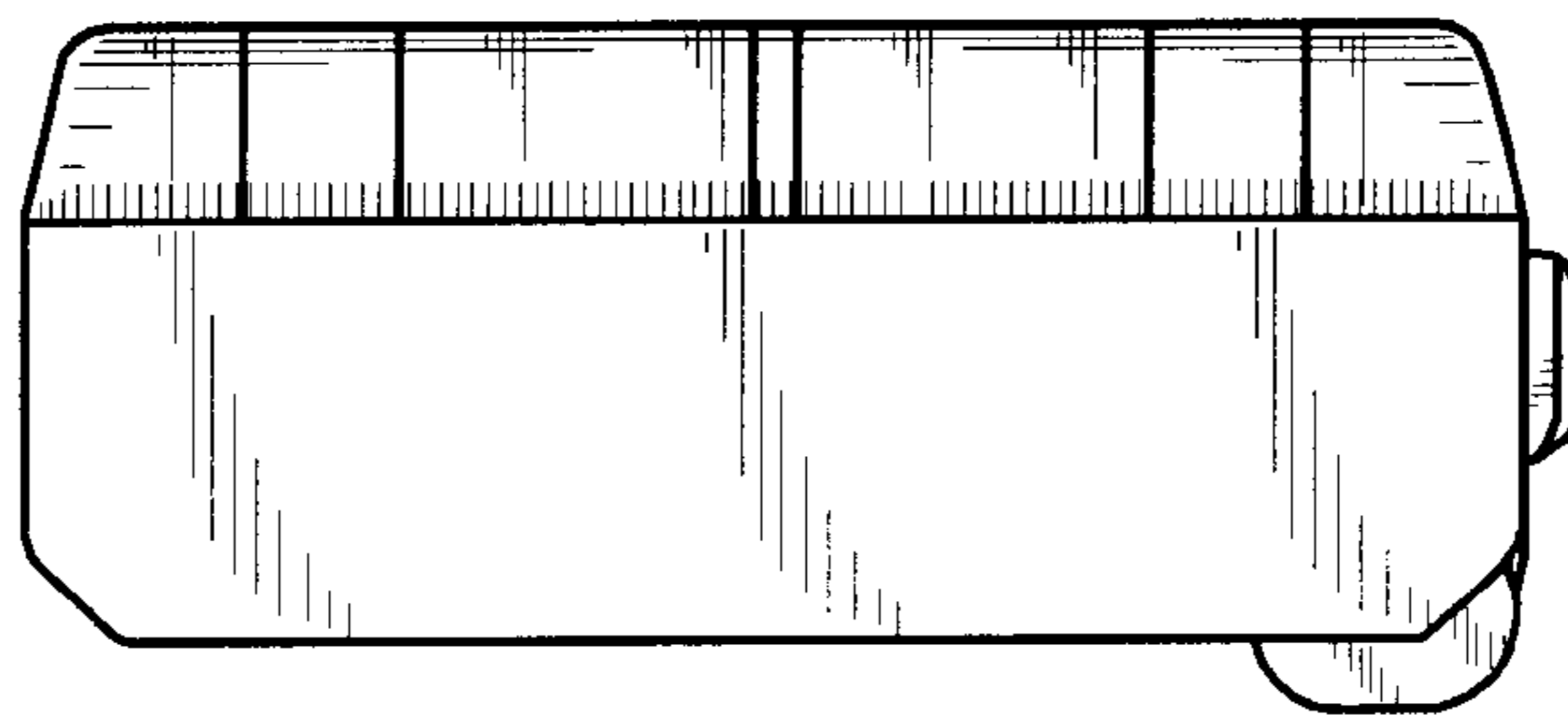


Fig. 7