



US00D445399S

(12) **United States Design Patent**
Kolinen

(10) **Patent No.:** **US D445,399 S**

(45) **Date of Patent:** **** Jul. 24, 2001**

(54) **DESKTOP CHARGER**

(75) Inventor: **Petteri Kolinen**, Helsinki (FI)

(73) Assignee: **Nokia Mobile Phones Ltd.**, Espoo (FI)

(**) Term: **14 Years**

(21) Appl. No.: **29/128,131**

(22) Filed: **Aug. 18, 2000**

(30) **Foreign Application Priority Data**

Feb. 18, 2000 (FI) M20000110

(51) **LOC (7) Cl.** **13-02**

(52) **U.S. Cl.** **D13/107**

(58) **Field of Search** D13/107, 108;
D14/251, 253; 320/107-115

(56) **References Cited**

U.S. PATENT DOCUMENTS

D. 348,427 * 7/1994 Ohmaki et al. D13/107

D. 400,165 * 10/1998 Nagele et al. D13/108

D. 400,498 * 11/1998 Page et al. D13/107

D. 412,487 * 8/1999 Nagele et al. D13/108

D. 436,343 * 1/2001 Harrington et al. D13/107

* cited by examiner

Primary Examiner—Joel Sincavage

(74) *Attorney, Agent, or Firm*—Brian T. Rivers

(57) **CLAIM**

The ornamental design for a desktop charger, as shown.

DESCRIPTION

FIG. 1 is a perspective rear view of the desktop charger;
FIG. 2 is a perspective front view thereof;
FIG. 3 is a perspective bottom view thereof;
FIG. 4 is a front view thereof;
FIG. 5 is a bottom plan view thereof;
FIG. 6 is a right side view thereof;
FIG. 7 is a top plan view thereof;
FIG. 8 is a left side view thereof; and,
FIG. 9 is a rear view thereof.

1 Claim, 2 Drawing Sheets

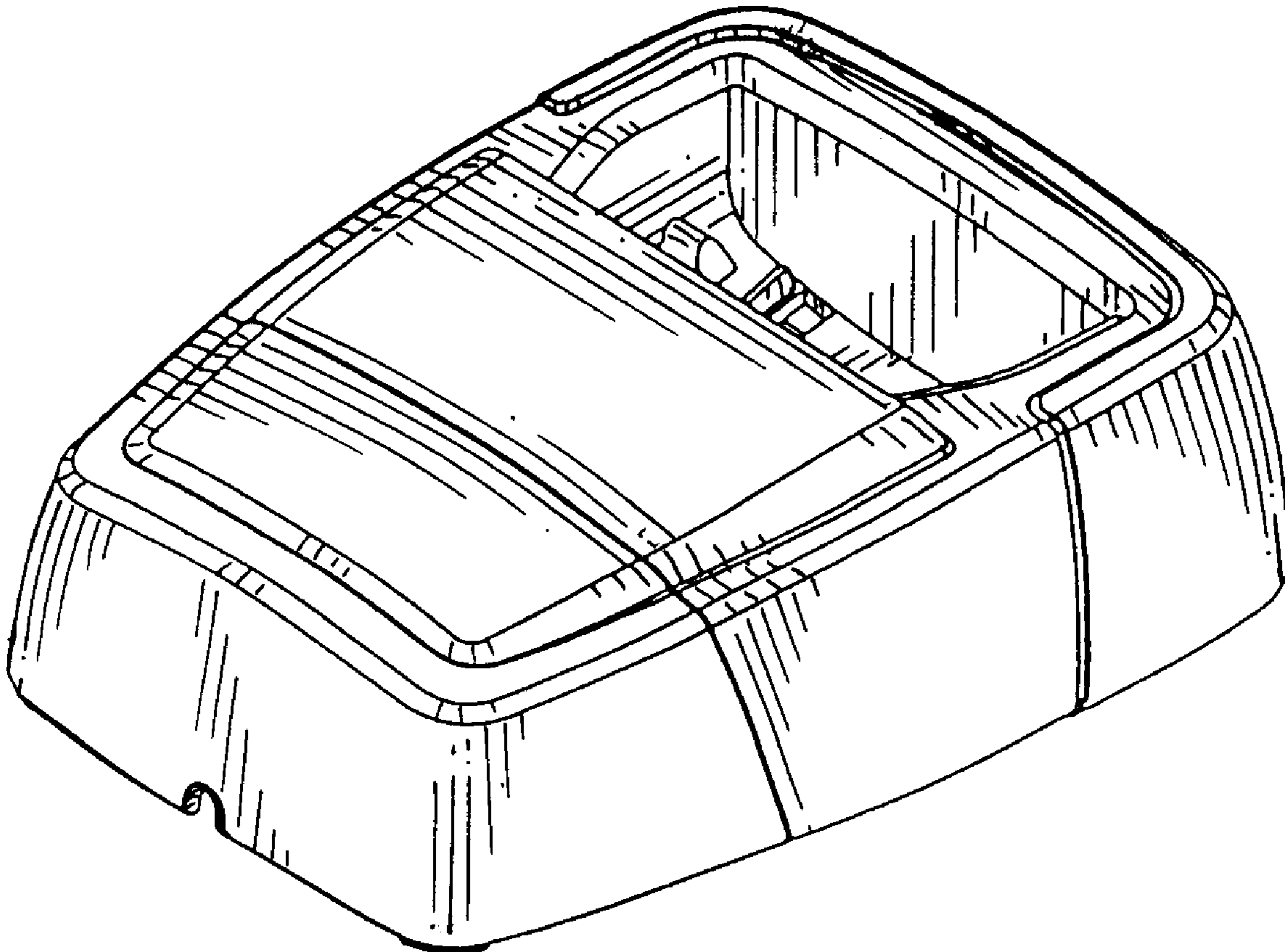


FIG. 1

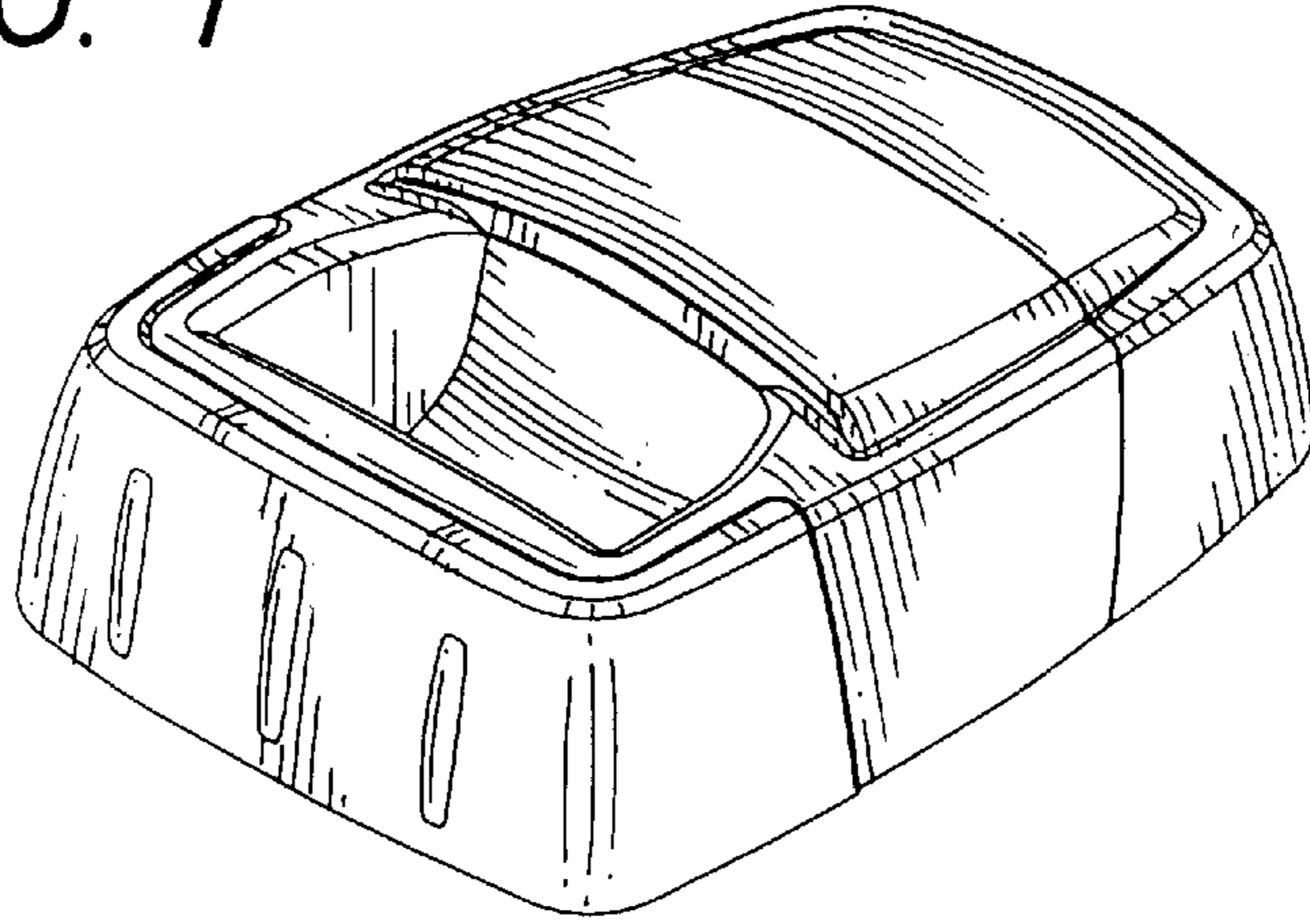


FIG. 2

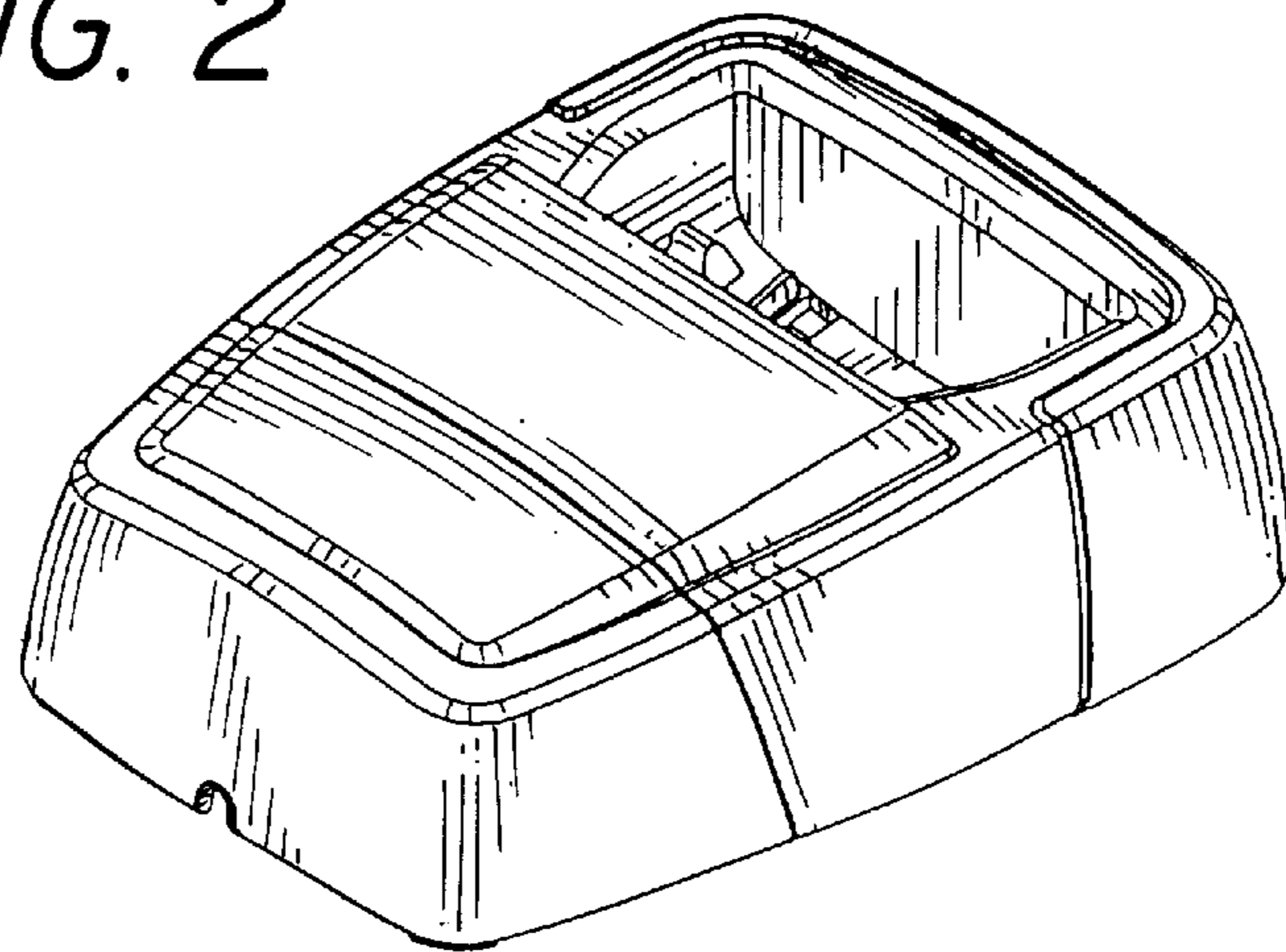
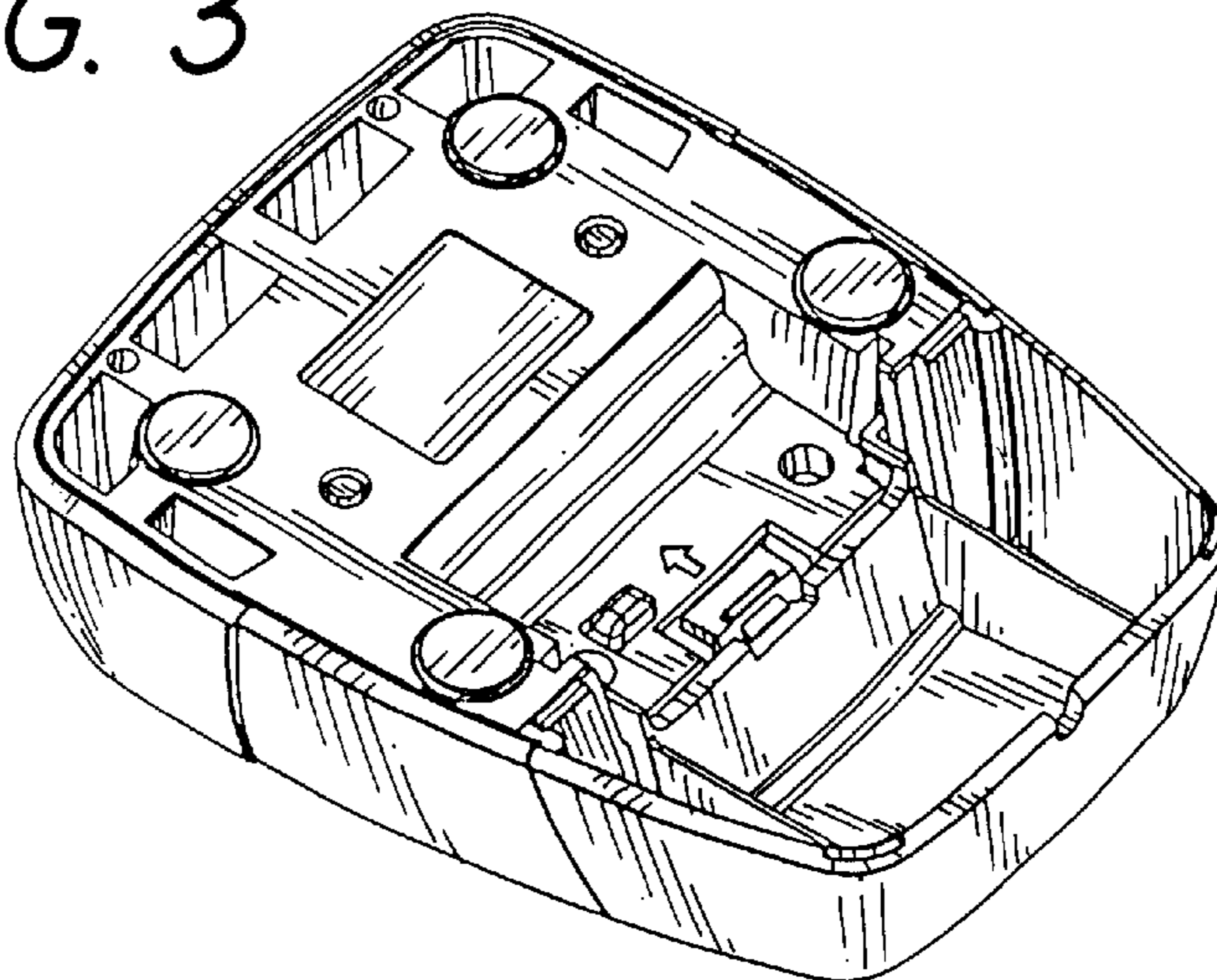


FIG. 3



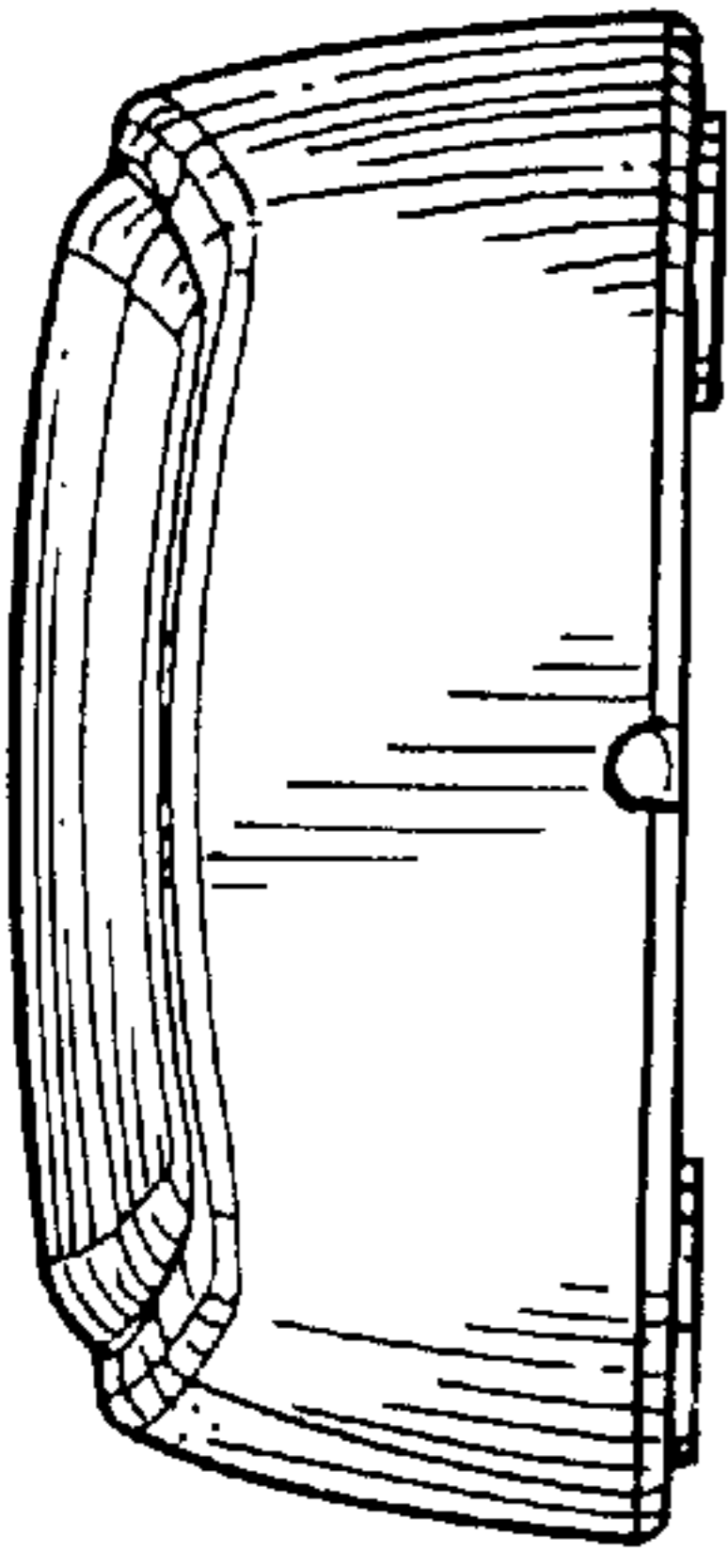


FIG. 4

FIG. 8

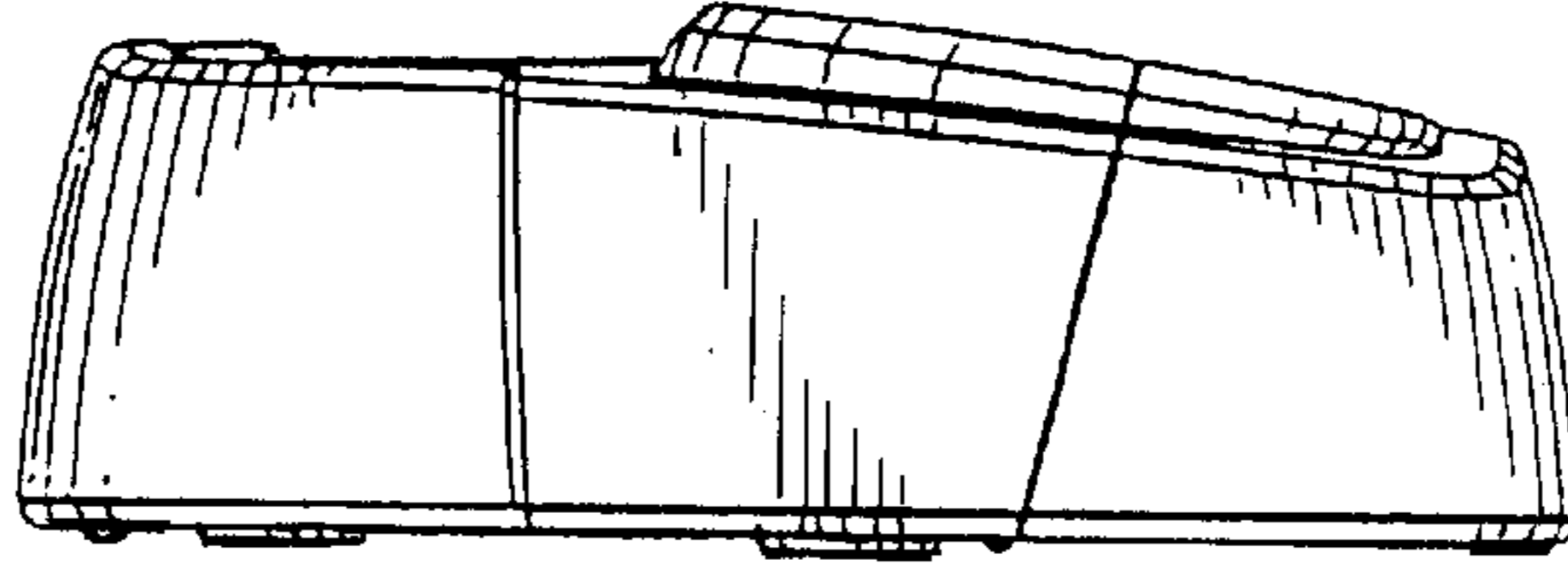


FIG. 7

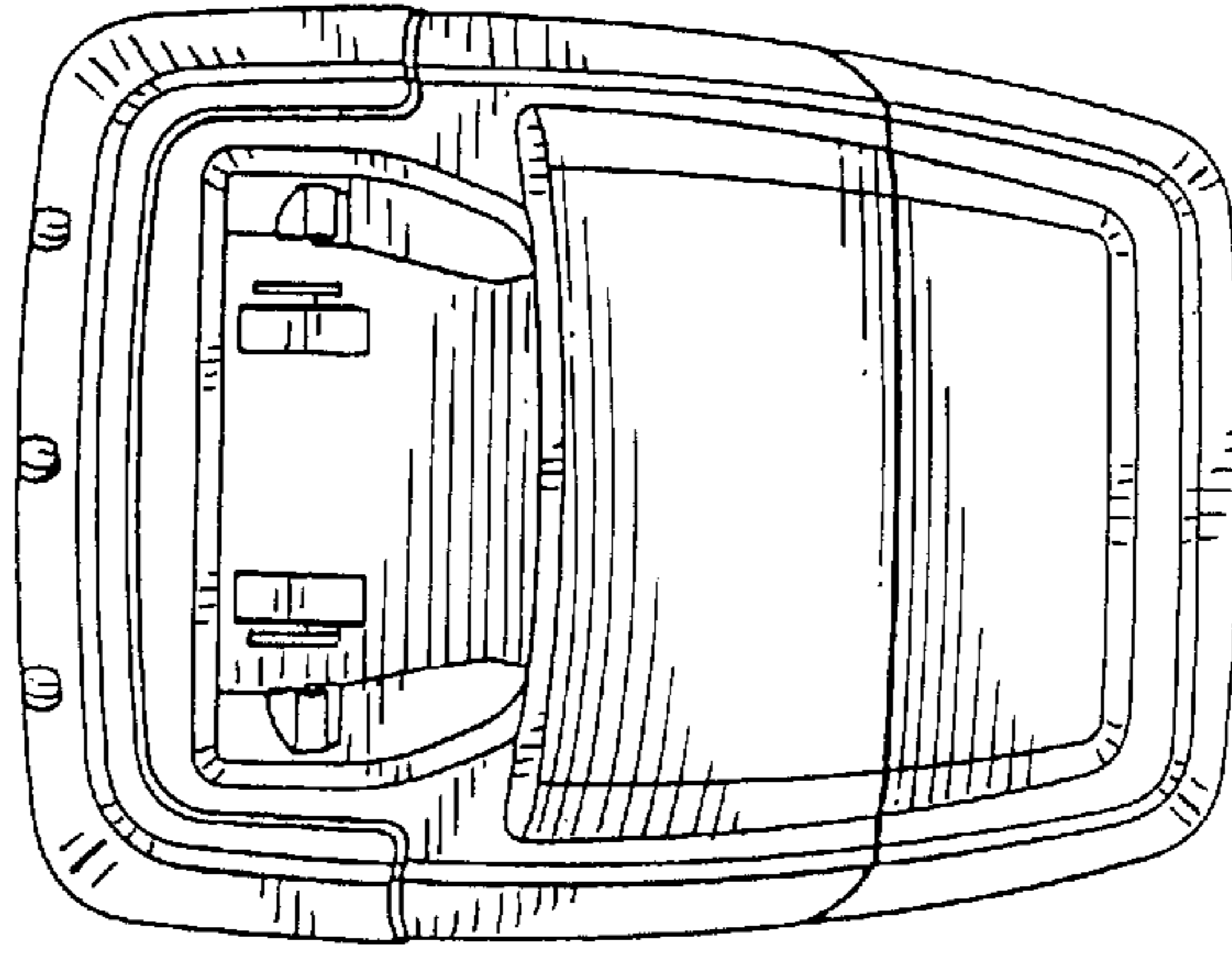


FIG. 6

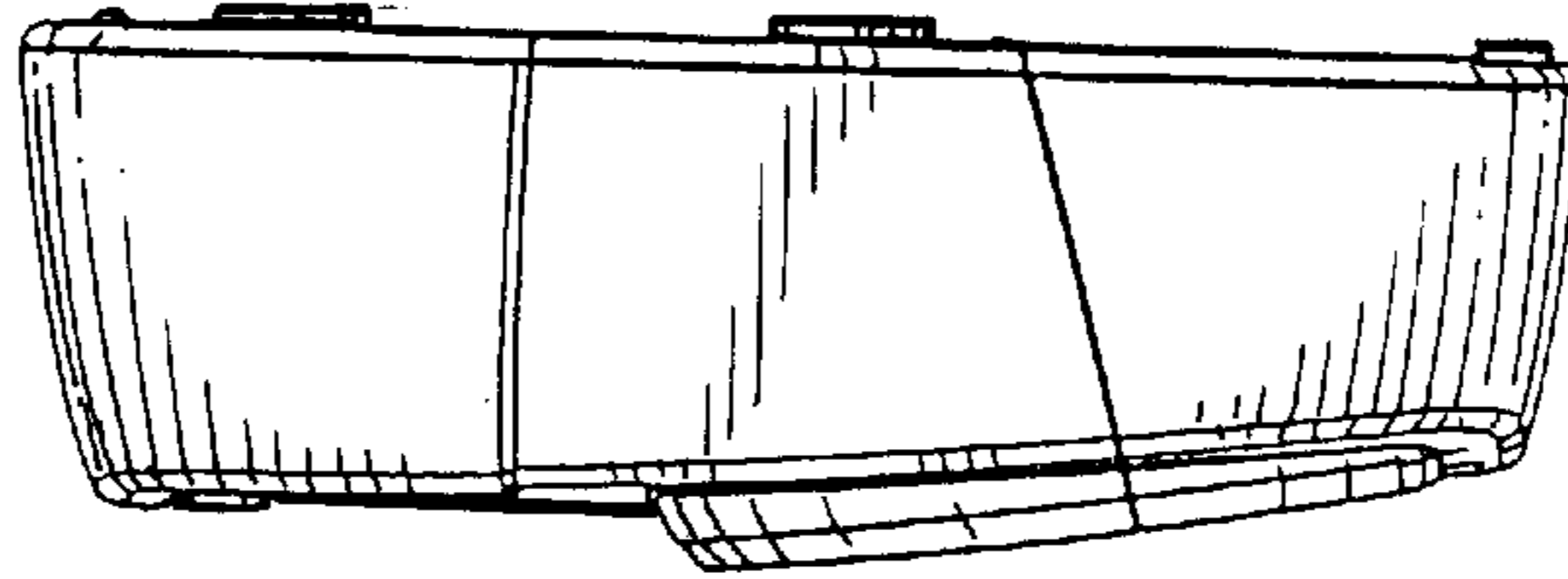


FIG. 5

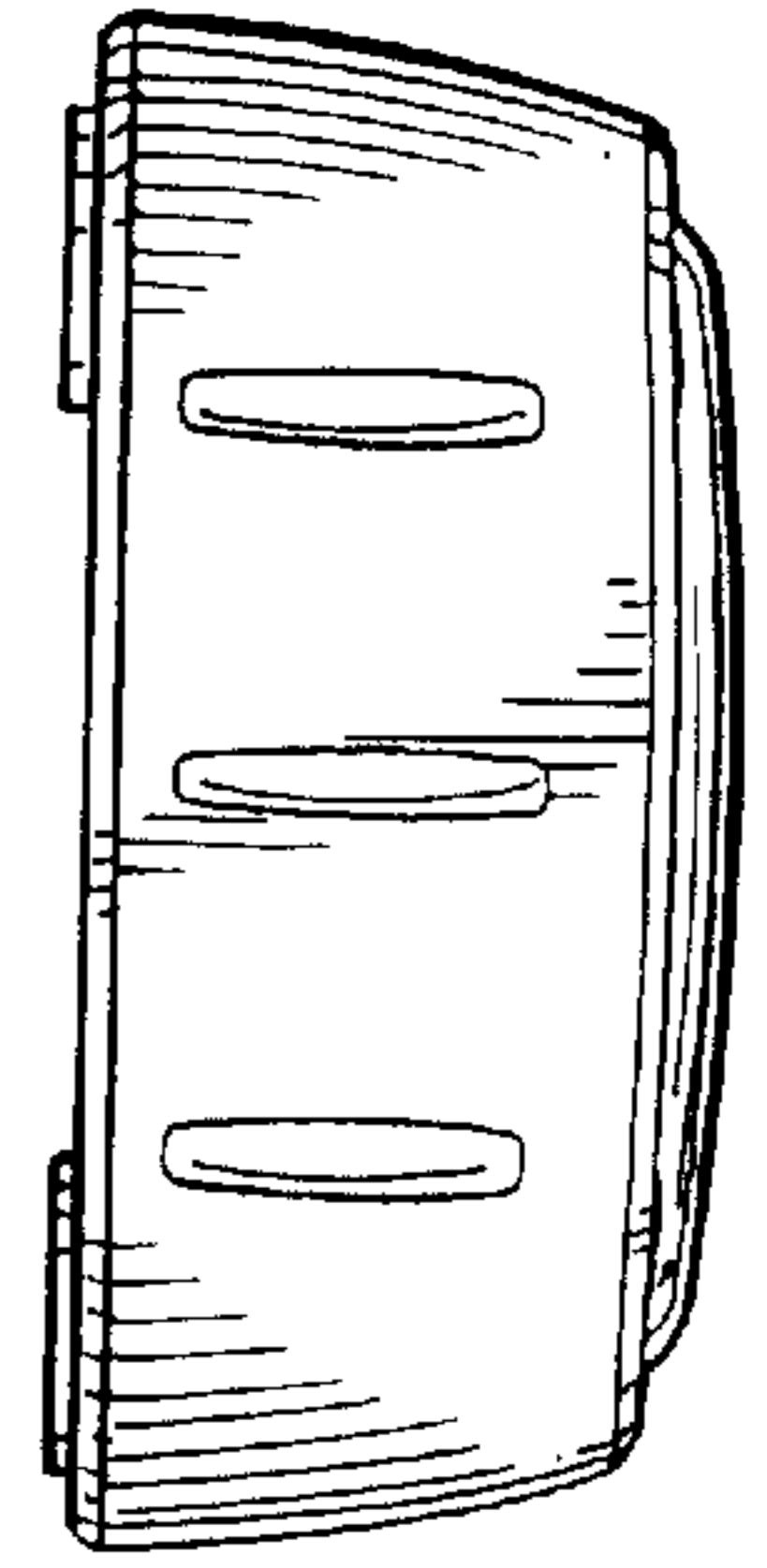
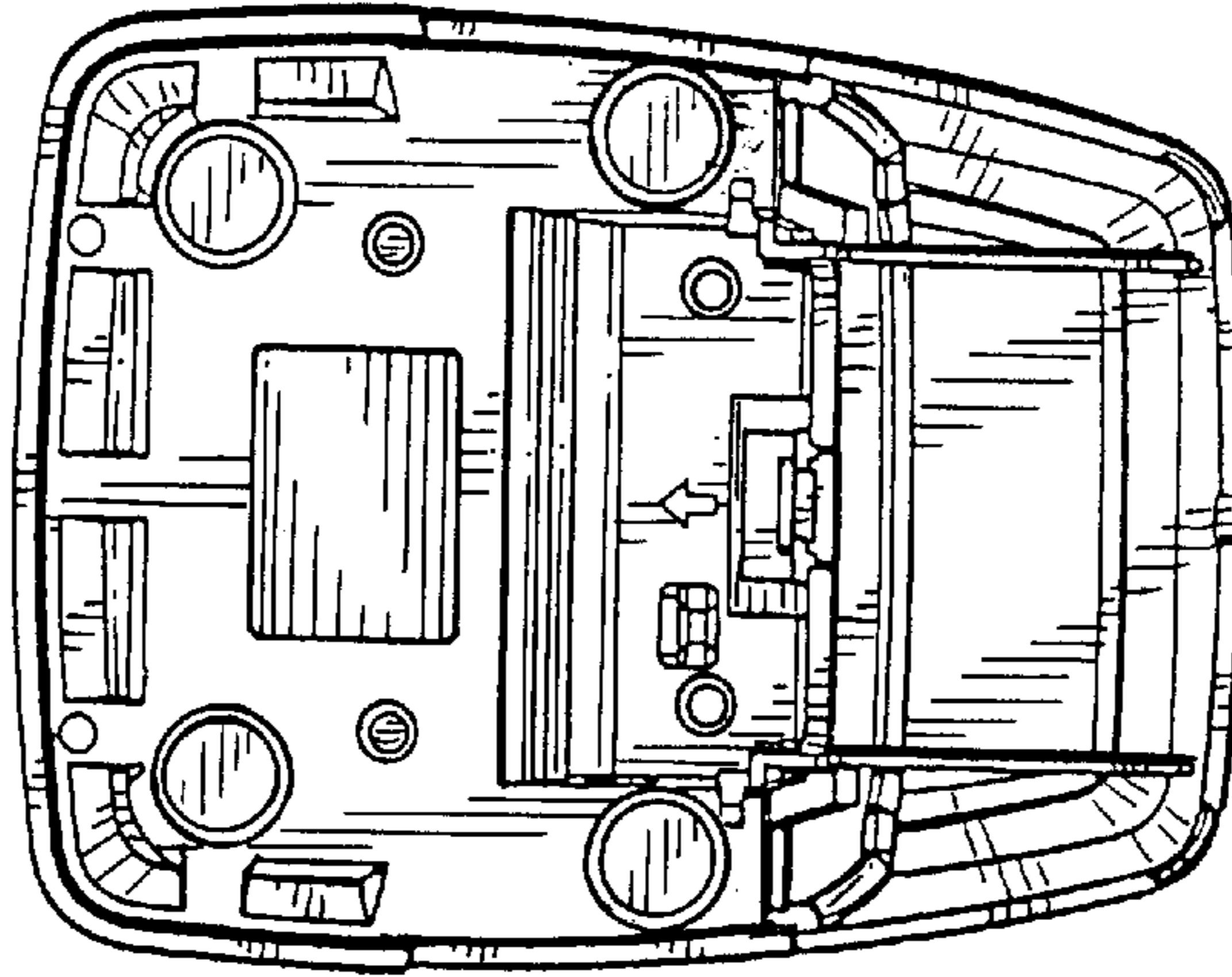


FIG. 9