



US00D445395S

(12) **United States Design Patent**
Okerlund et al.

(10) **Patent No.:** **US D445,395 S**

(45) **Date of Patent:** **** Jul. 24, 2001**

- (54) **HITCH MOUNTABLE TABLE**
- (75) Inventors: **Kawa-She-Quoen Okerlund**,
Wittenberg; **Allan Malluege**, Wausau,
both of WI (US)
- (73) Assignee: **Fulton Performance Products, Inc.**,
Mosinee, WI (US)
- (**) Term: **14 Years**
- (21) Appl. No.: **29/113,143**
- (22) Filed: **Oct. 29, 1999**
- (51) **LOC (7) Cl.** **12-16**
- (52) **U.S. Cl.** **D12/400**
- (58) **Field of Search** D12/400, 406,
D12/415, 425, 203, 162; D7/553.2-553.5,
619-620, 701, 708; D6/416, 429, 555;
108/72, 44-45, 129-132; 224/495, 497,
499-506, 523-524, 518-519; 296/24.1;
280/163, 415.1, 504, 769

2,833,608	*	5/1958	Tobias	108/44	X
4,672,898	*	6/1987	Davidson	108/44	
5,368,209	*	11/1994	Hill	224/505	X
5,397,147	*	3/1995	Ducharme	280/415.1	
5,438,936	*	8/1995	Wang	108/44	
5,570,826	*	11/1996	Garbes et al.	224/524	
8,853,278	*	12/1998	Frantz	224/505	X

* cited by examiner

Primary Examiner—Stacia Cadmus

(74) *Attorney, Agent, or Firm*—Leon E. Redman; Lloyd D. Doigan

(57) **CLAIM**

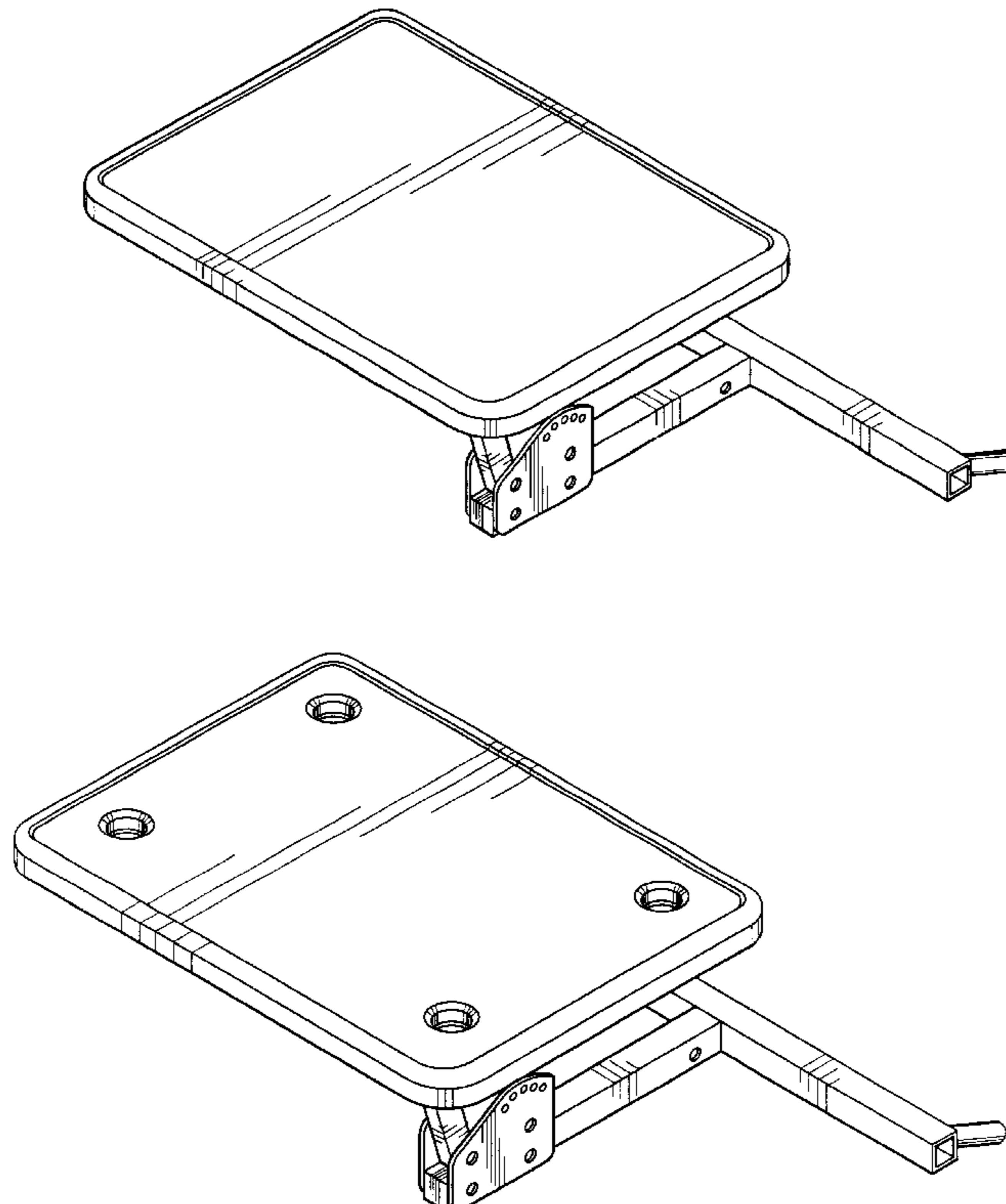
The ornamental design for a hitch mountable table, as shown and described.

DESCRIPTION

FIG. 1 is a perspective view of the hitch mountable table showing our new design;
 FIG. 2 is a top plan view thereof;
 FIG. 3 is a front elevational view thereof;
 FIG. 4 is a bottom plan view thereof;
 FIG. 5 is a right side elevational view thereof, the left side being a mirror image of the left shown;
 FIG. 6 is a rear elevational view thereof; and,
 FIG. 7 is a perspective view of a second embodiment of the hitch mountable table with the addition of cup holders in the table top, the other views are the same as shown in FIGS. 3-6.

- (56) **References Cited**
- U.S. PATENT DOCUMENTS**
- D. 265,154 * 6/1982 Cox D7/553.4
- D. 305,632 * 1/1990 Kraklio D12/400
- D. 309,065 * 7/1990 Huff D12/400
- D. 343,601 * 1/1994 Brady D12/406
- D. 366,190 * 1/1996 Vance et al. D7/553.4
- D. 370,452 * 6/1996 Beasley D12/203
- D. 389,452 * 1/1998 Scott D12/415

1 Claim, 4 Drawing Sheets



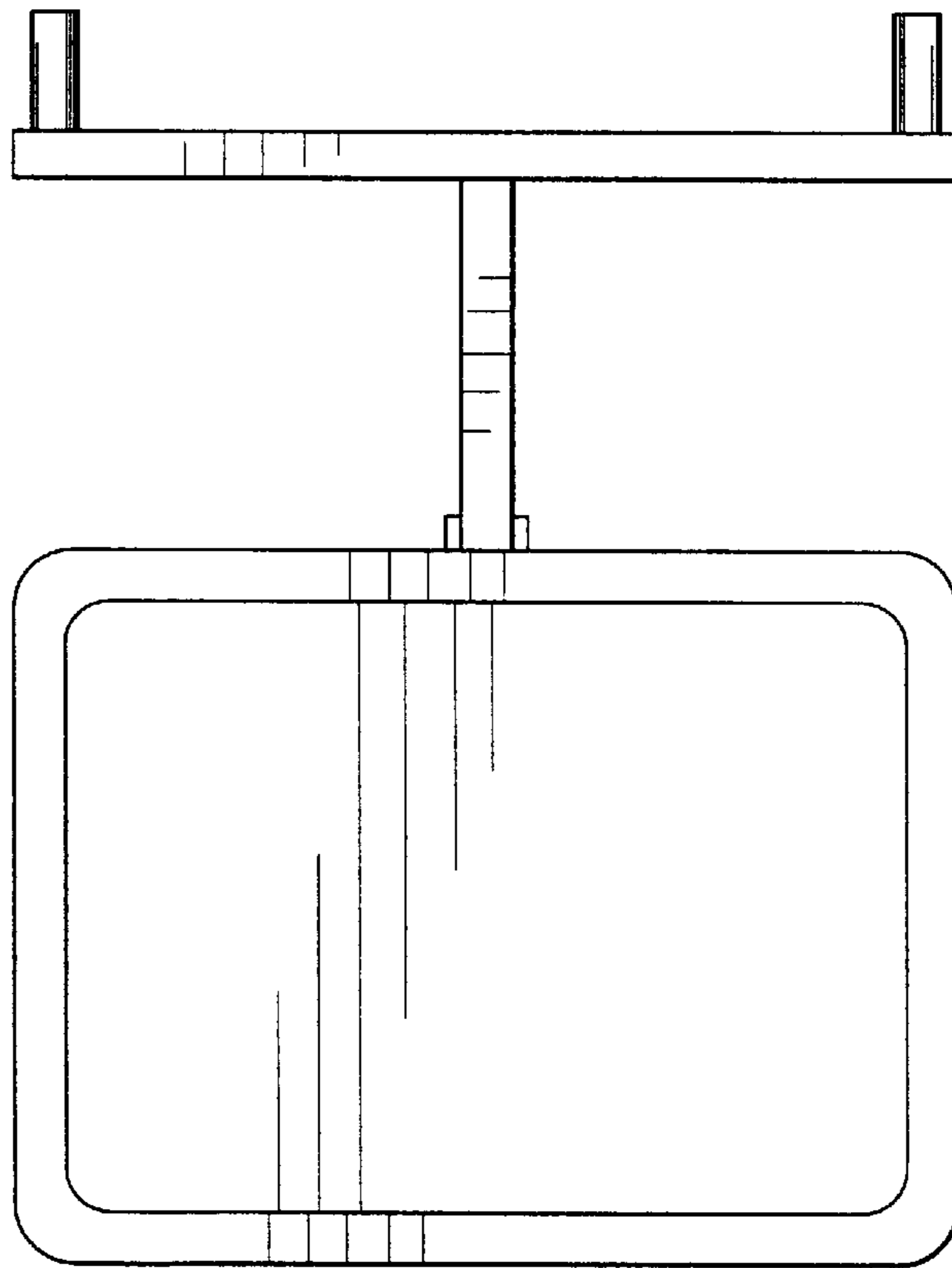
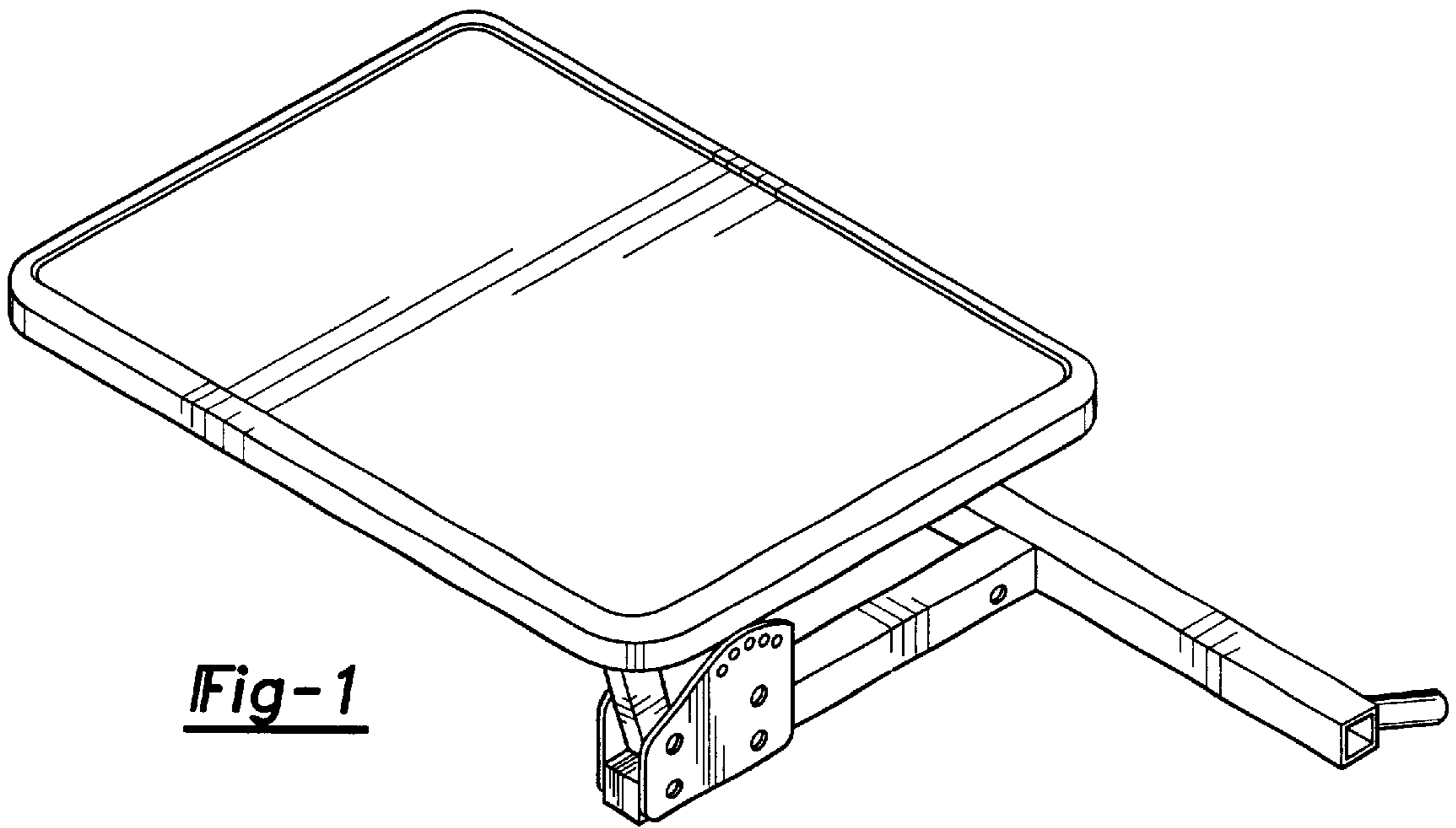


Fig-2

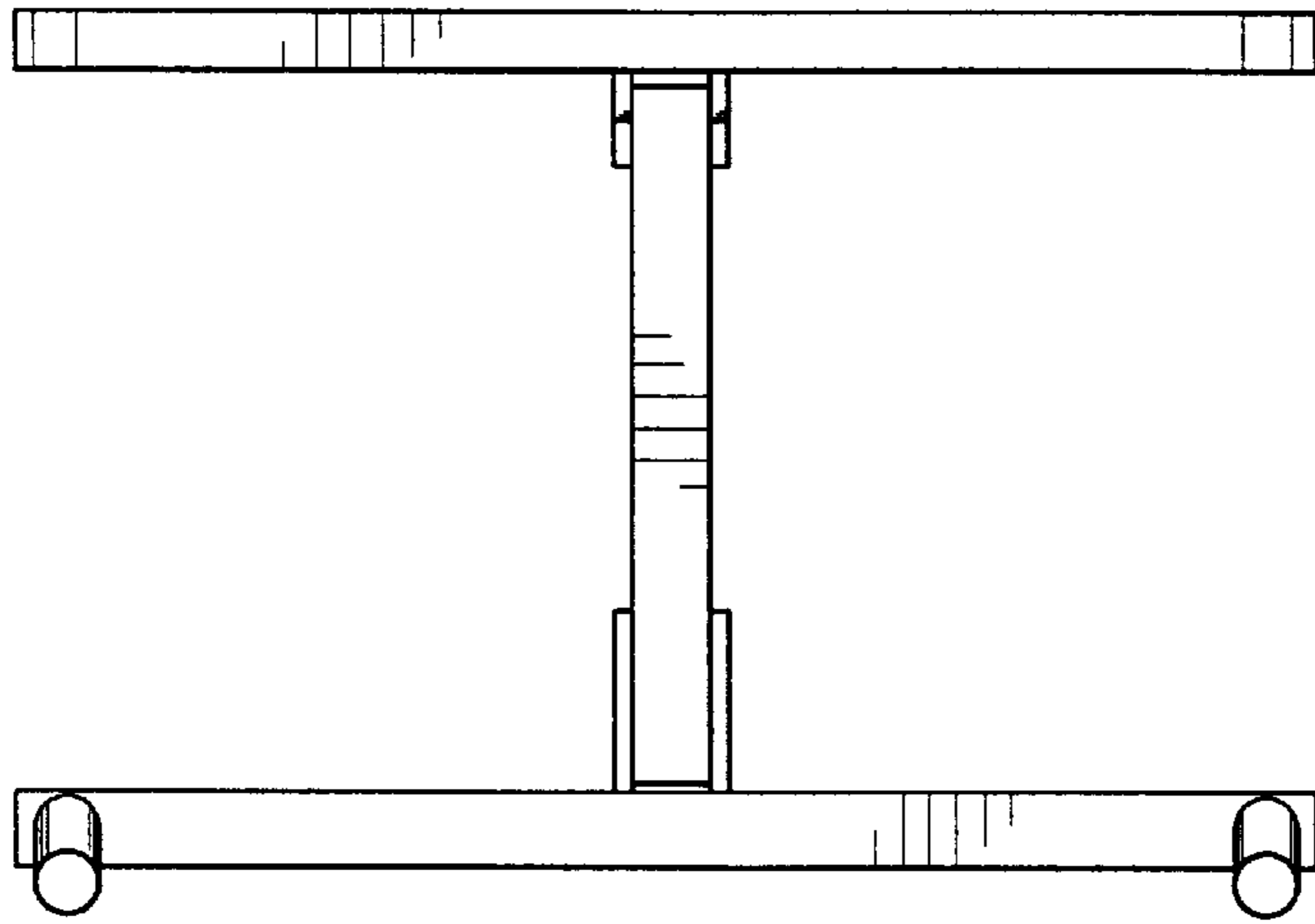


Fig-3

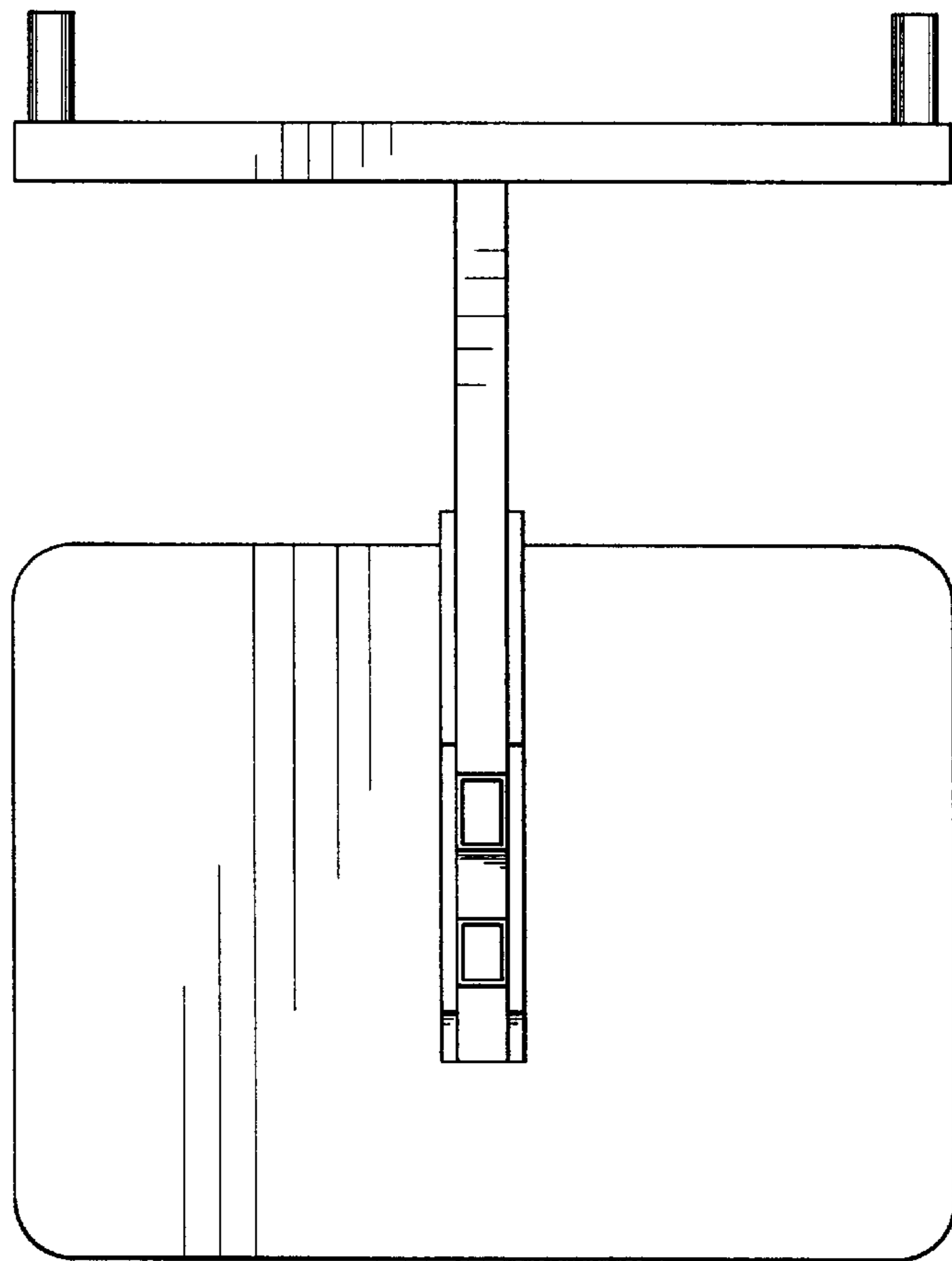


Fig-4

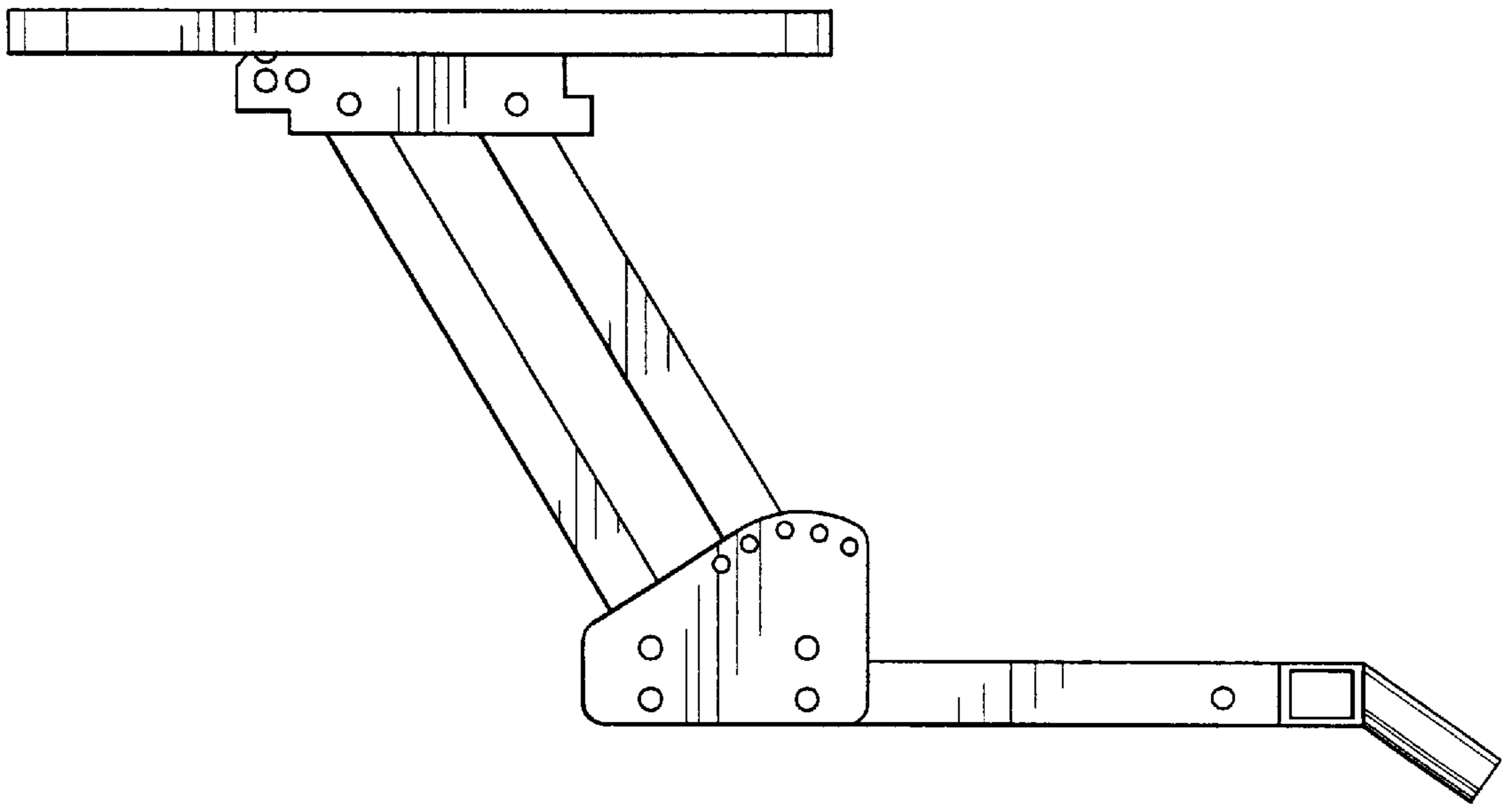


Fig-5

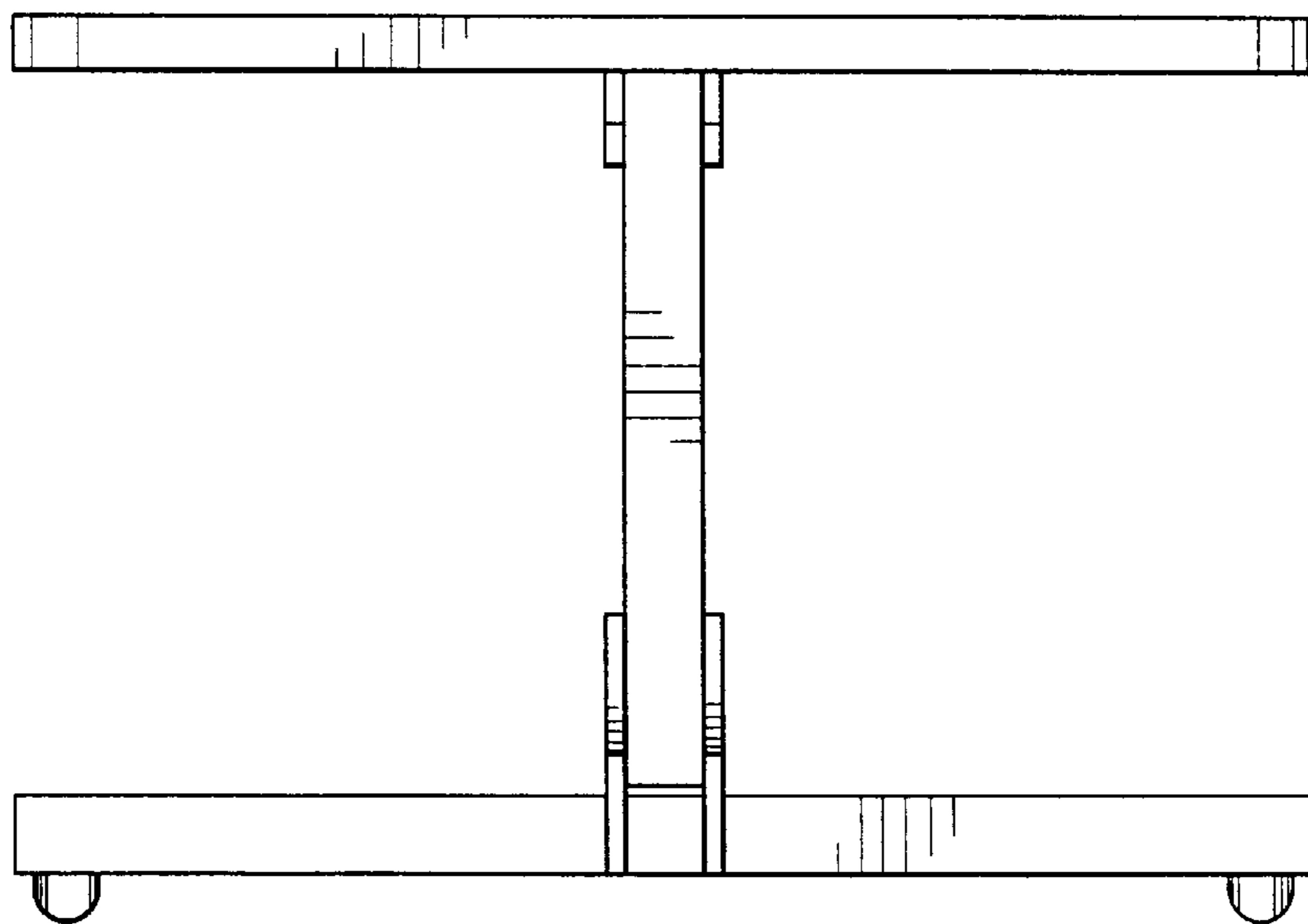


Fig-6

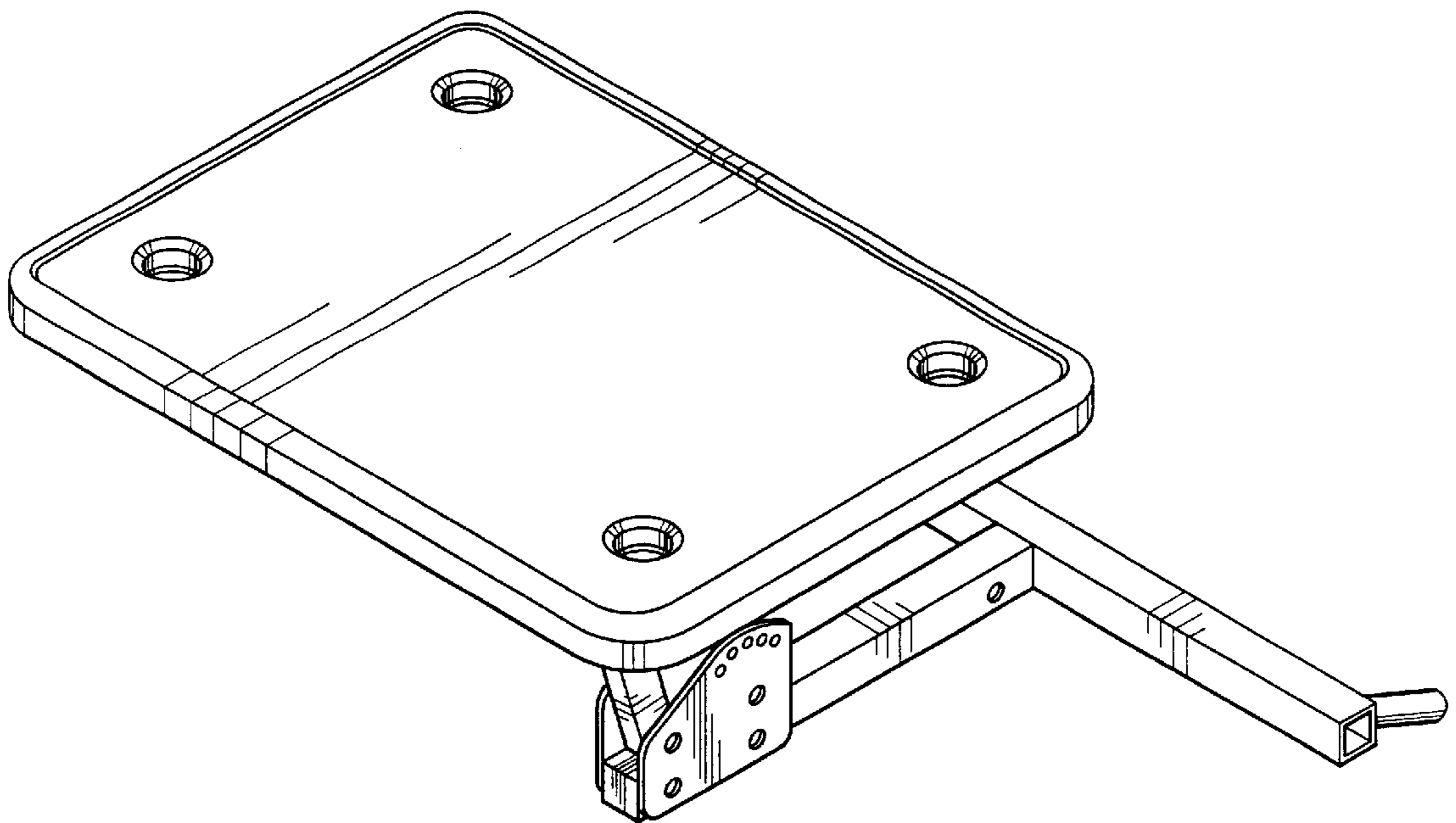


Fig-7