



US00D445394S

(12) **United States Design Patent**
Wesson

(10) **Patent No.:** **US D445,394 S**

(45) **Date of Patent:** **** Jul. 24, 2001**

(54) **BOAT PROTECTOR AND SHELF**

(76) **Inventor:** **Roger P. Wesson**, P.O. Box 676,
Darrington, WA (US) 98241

(**) **Term:** **14 Years**

(21) **Appl. No.:** **29/126,653**

(22) **Filed:** **Jul. 20, 2000**

(51) **LOC (7) Cl.** **12-06**

(52) **U.S. Cl.** **D12/318; D12/317**

(58) **Field of Search** **D12/300-318;**
114/343, 361, 363, 364

(56) **References Cited**

U.S. PATENT DOCUMENTS

4,085,473	4/1978	Franklin	9/1.7
4,641,600	2/1987	Halvorsen	114/361
4,662,303	5/1987	Duff	114/343
4,763,598	8/1988	Spencer	114/361
4,827,864	5/1989	LaMontagne et al.	114/343

4,854,534	8/1989	Porter	248/222
5,105,756	4/1992	Bell	114/363
5,454,342	* 10/1995	Colquett et al.	114/364
5,894,812	4/1999	Dessingue	114/361

* cited by examiner

Primary Examiner—Kay H. Chin

(74) *Attorney, Agent, or Firm*—Dean A. Craine

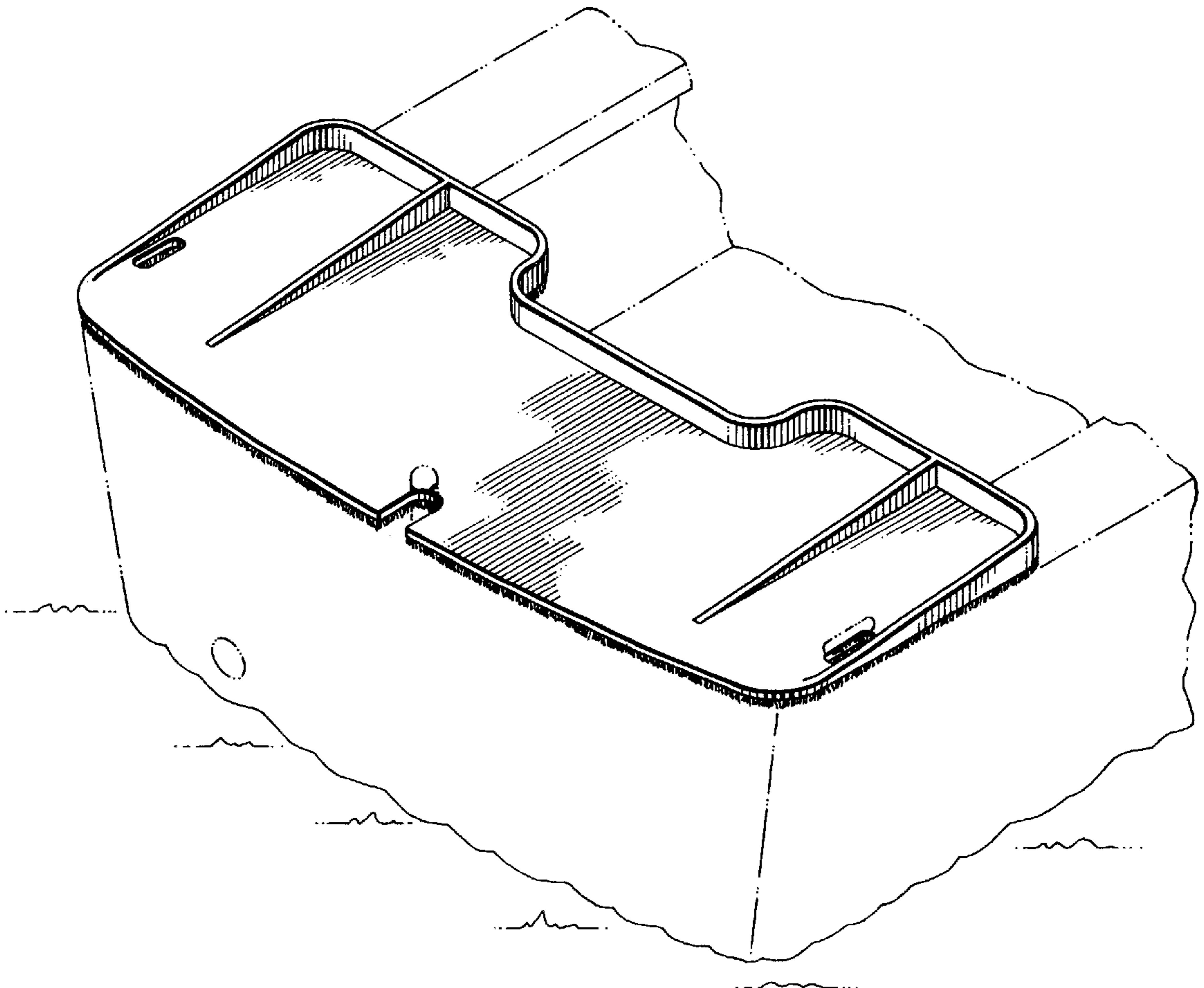
(57) **CLAIM**

The ornamental design for a boat protector and shelf, as shown and described.

DESCRIPTION

FIG. 1 is a perspective view of the boat protector and shelf.
FIG. 2 is a top plan view of the invention.
FIG. 3 is a bottom plan view of the invention.
FIG. 4 is a front plan elevation view of the invention.
FIG. 5 is a rear plan elevation view of the invention.
FIG. 6 is a right side elevation view of the invention; and,
FIG. 7 is a left side elevation view of the invention.

1 Claim, 2 Drawing Sheets



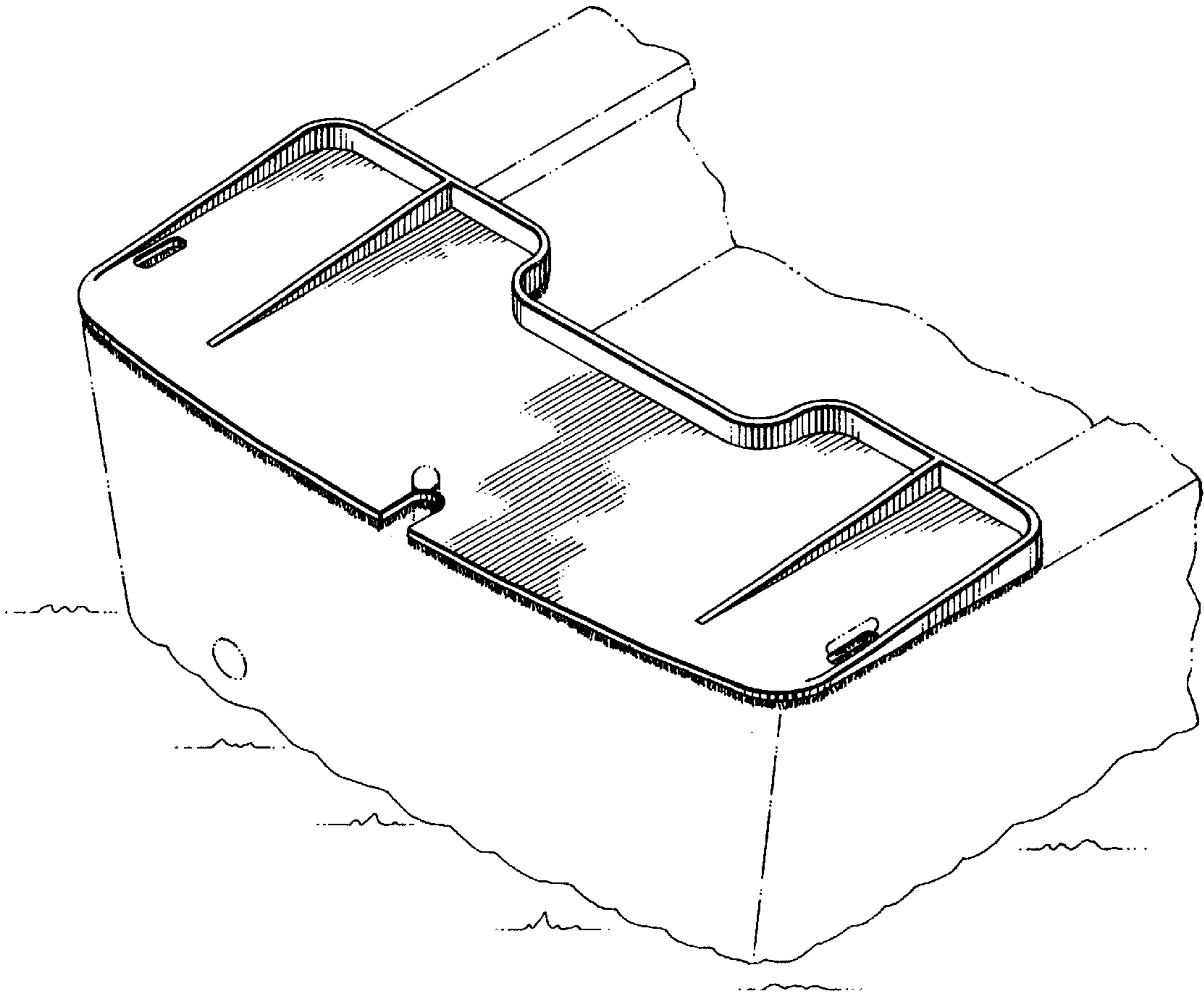


FIG. 1

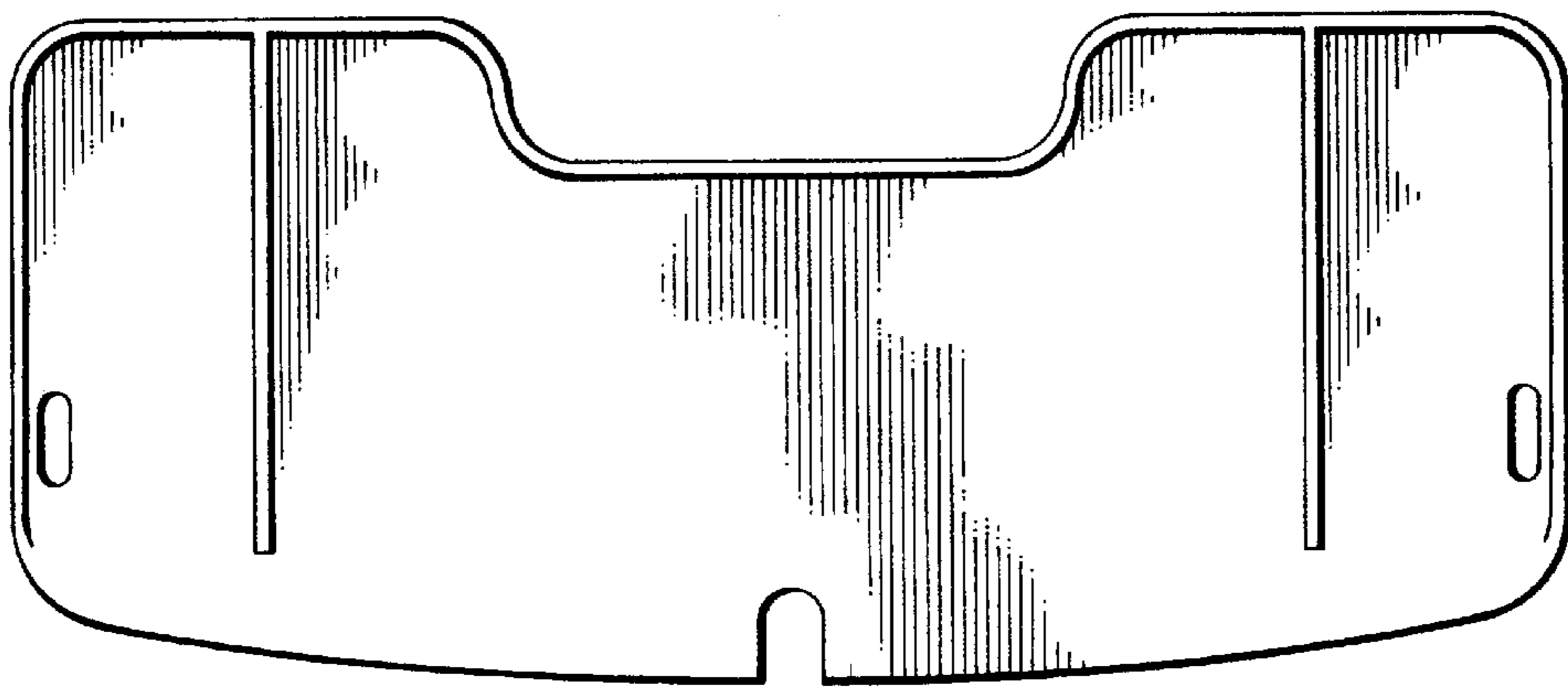


FIG. 2

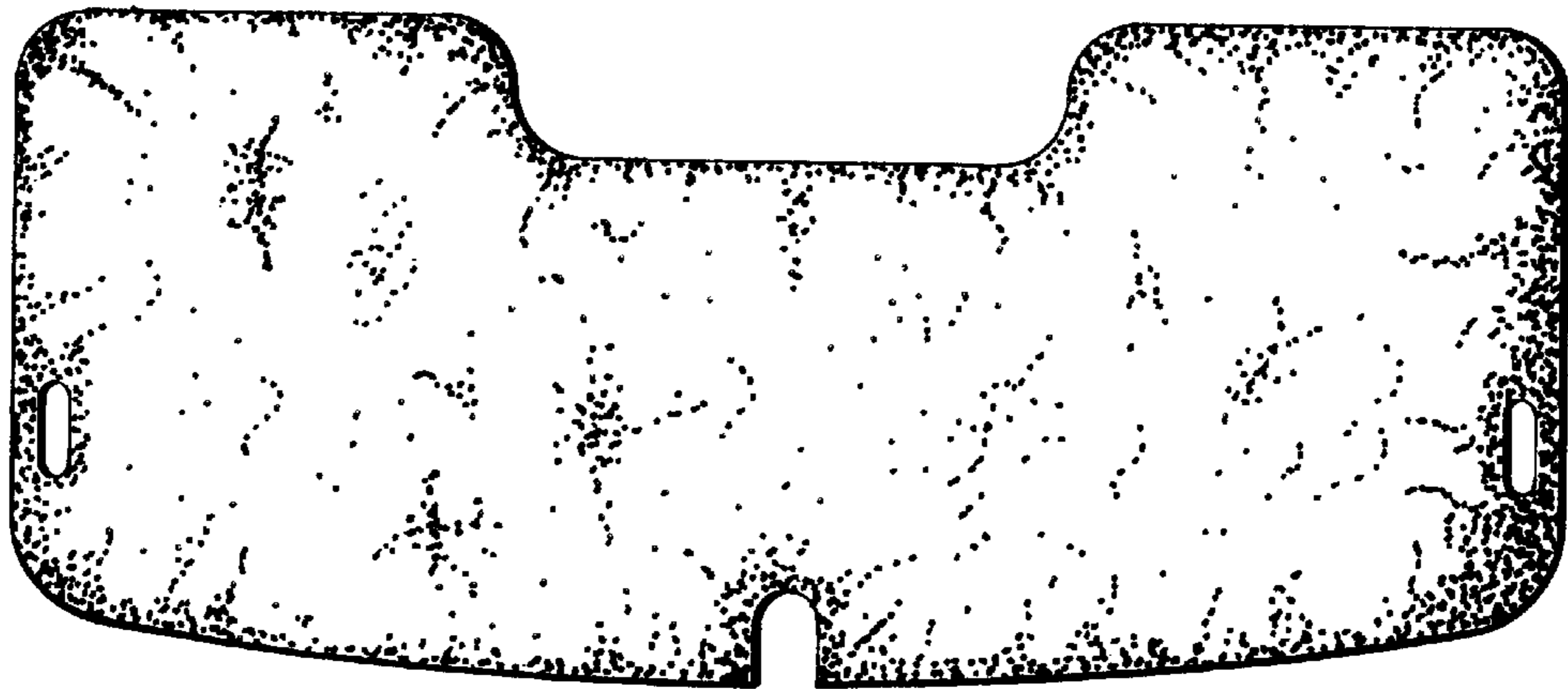


FIG. 3



FIG. 4



FIG. 5

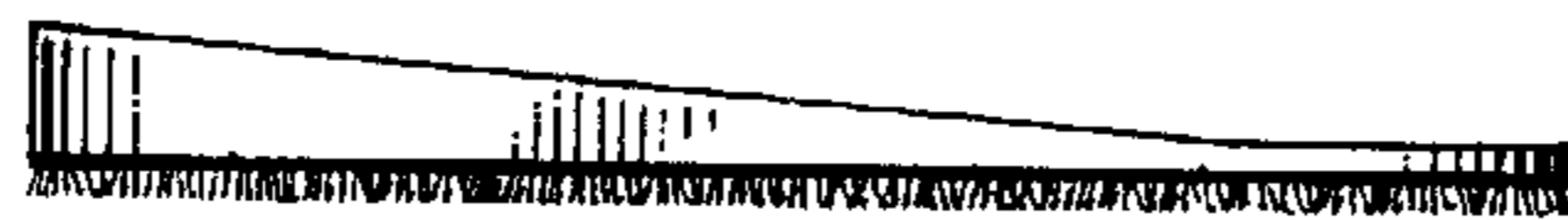


FIG. 6

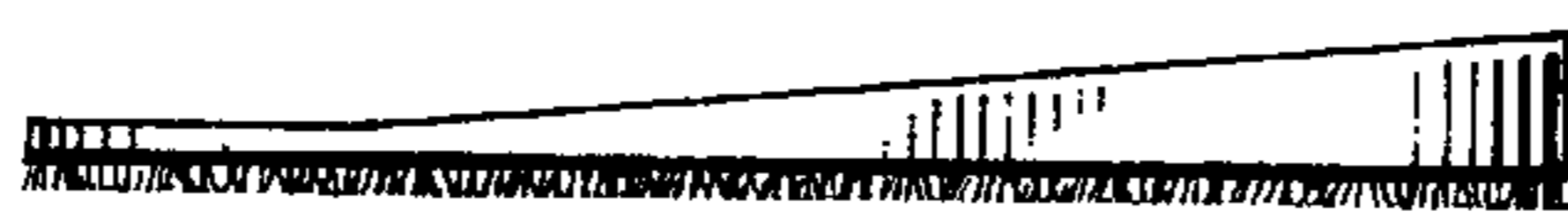


FIG. 7