



US00D445392S

(12) **United States Design Patent**
Chung

(10) **Patent No.:** **US D445,392 S**

(45) **Date of Patent:** **** Jul. 24, 2001**

(54) **AUTOMOTIVE WHEEL**

(75) **Inventor:** **Suny Chung**, Placentia, CA (US)

(73) **Assignee:** **Synergies America Inc**, Farmington Hills, MI (US)

(**) **Term:** **14 Years**

(21) **Appl. No.:** **29/135,523**

(22) **Filed:** **Jan. 16, 2001**

(51) **LOC (7) Cl.** **12-16**

(52) **U.S. Cl.** **D12/211**

(58) **Field of Search** D12/204-211;
301/37.1, 64.1, 65

(56) **References Cited**

U.S. PATENT DOCUMENTS

D. 403,649	*	1/1999	Moreno	D12/211
D. 413,852	*	9/1999	Cullen	D12/209
D. 416,532	*	11/1999	Cullen	D12/209
D. 428,380	*	7/2000	Chinellato	D12/211
D. 430,095	*	8/2000	Lotson	D12/211
D. 433,371	*	11/2000	Donikoglu	D12/209
D. 433,658	*	11/2000	Donikoglu	D12/209

D. 435,823	*	1/2001	Fitzgerlad	D12/211
D. 436,567	*	1/2001	Takechi	D12/209
D. 436,574	*	1/2001	Tunstill	D12/211
D. 436,907	*	1/2001	Ong	D12/209

* cited by examiner

Primary Examiner—Stacia Cadmus

(74) *Attorney, Agent, or Firm*—G. Donald Weber, Jr.

(57) **CLAIM**

The ornamental design for an automotive wheel, as shown and described.

DESCRIPTION

FIG. 1 is an oblique view of an automotive wheel of the instant invention;

FIG. 2 is a front view of the automotive wheel of the instant invention as shown in FIG. 1;

FIG. 3 is an oblique view of a second embodiment of the automotive wheel of the instant invention; and,

FIG. 4 is a front view of the automotive wheel of the instant invention as shown in FIG. 3.

The broken line showing of environment is for illustrative purposes only and forms no part of the claimed design.

1 Claim, 2 Drawing Sheets

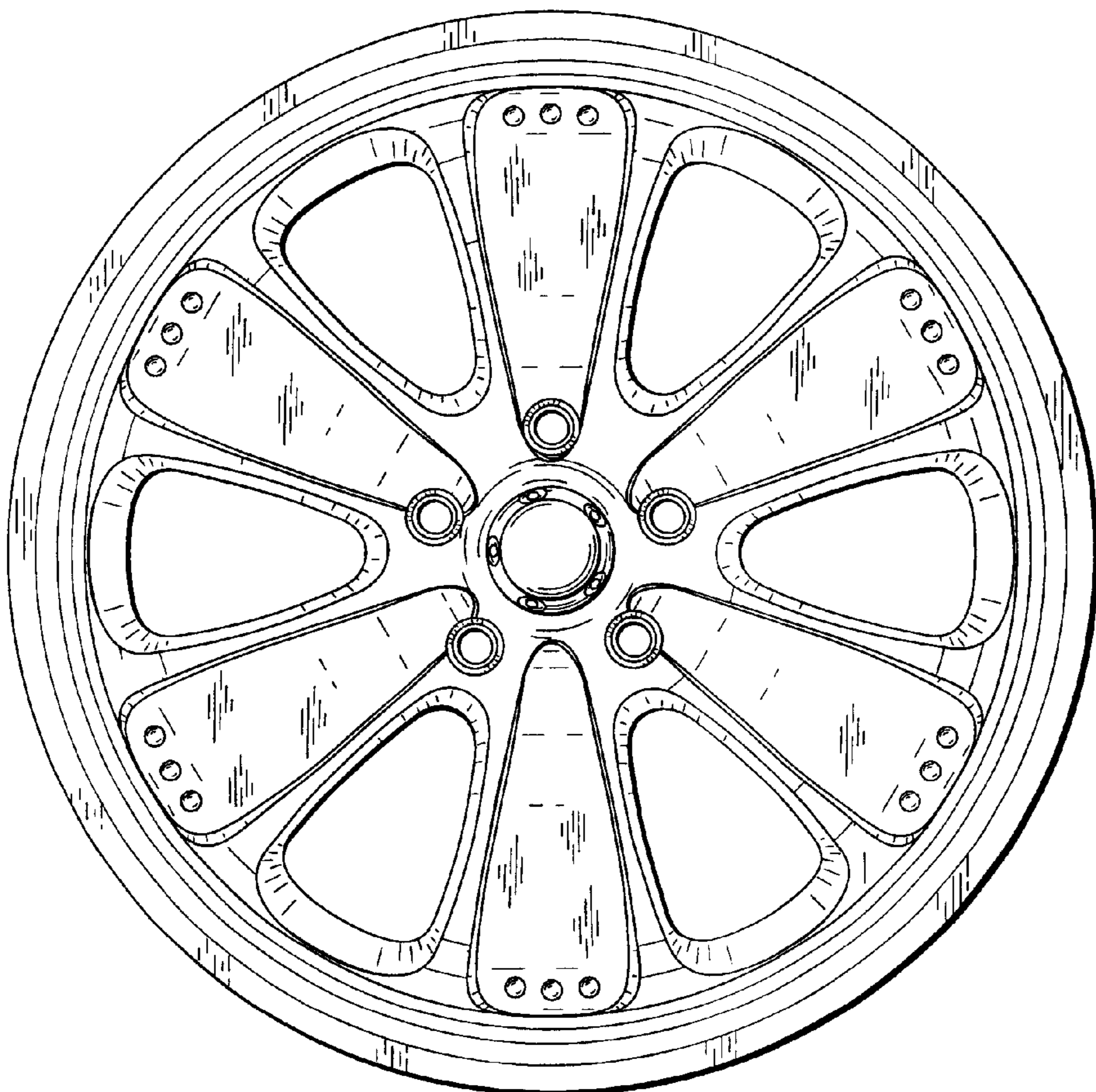


Fig. 1

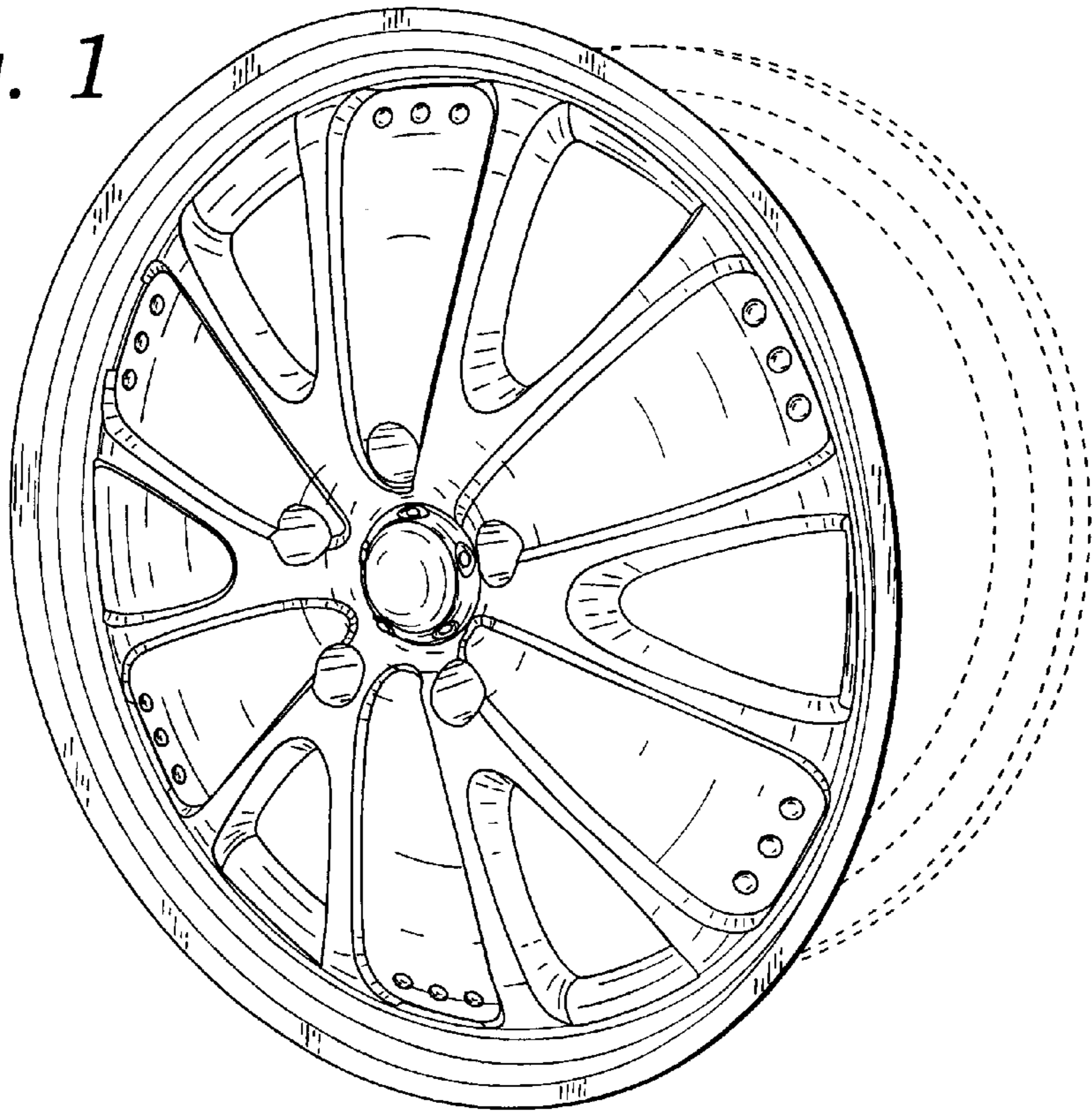


Fig. 2

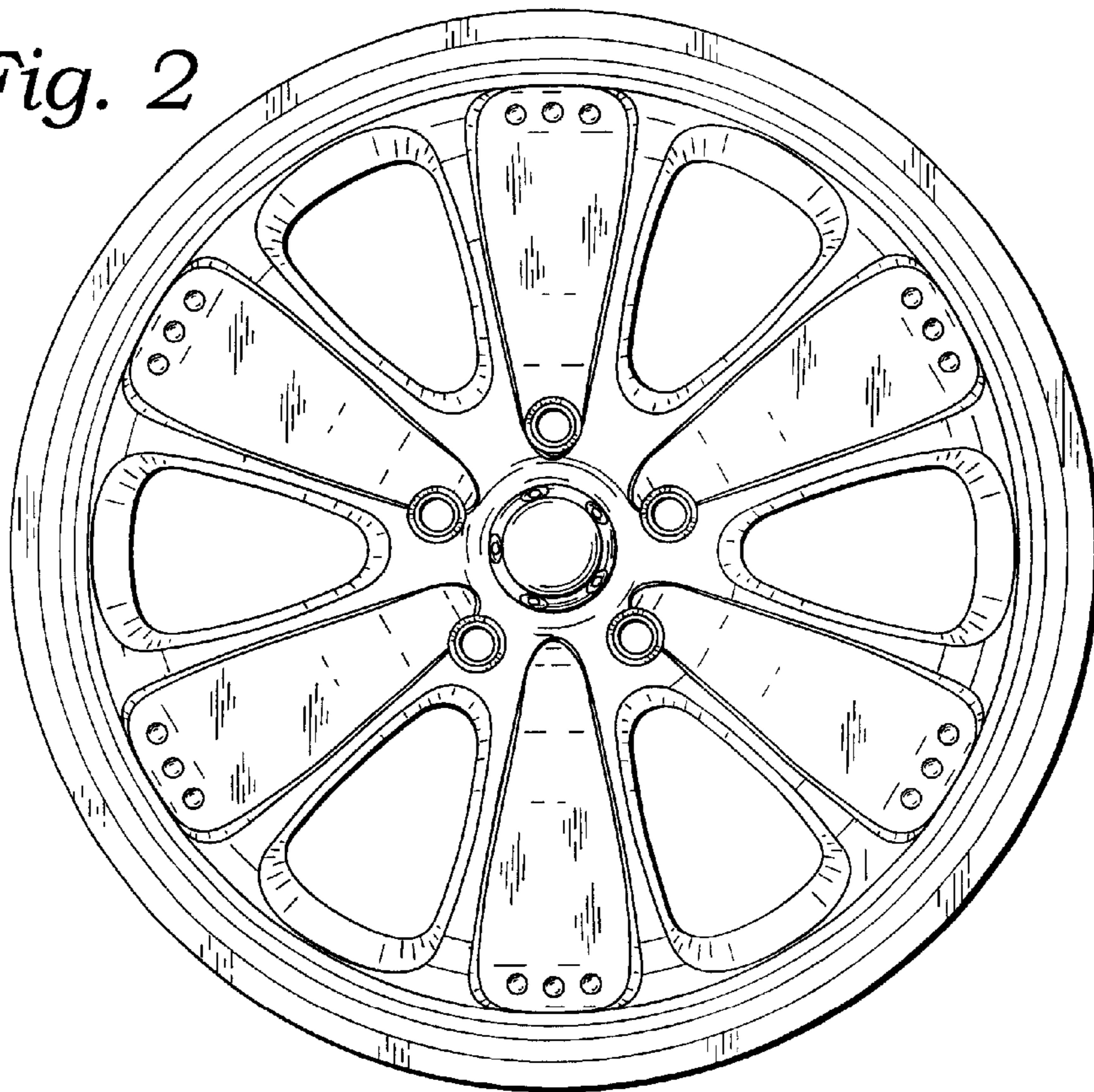


Fig. 3

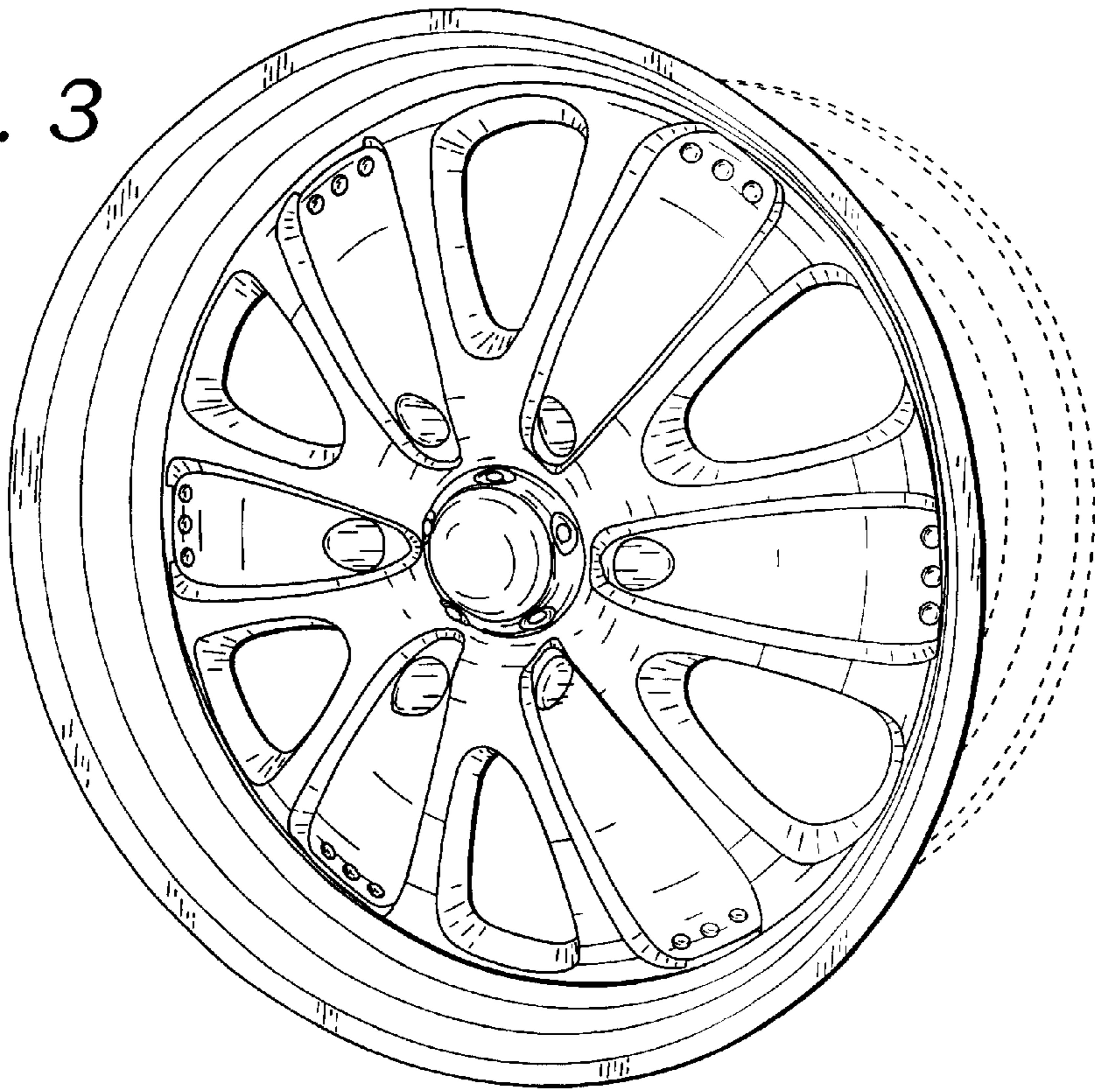


Fig. 4

