



US00D445390S

(12) **United States Design Patent**
Wartono

(10) **Patent No.:** **US D445,390 S**

(45) **Date of Patent:** **** Jul. 24, 2001**

(54) **VEHICLE WHEEL**

(75) Inventor: **Wartono**, Jawa Tengah (ID)

(73) Assignee: **PT Prima Alloy Steel Universal** (ID)

(**) Term: **14 Years**

(21) Appl. No.: **29/133,564**

(22) Filed: **Nov. 30, 2000**

(51) **LOC (7) Cl.** **12-16**

(52) **U.S. Cl.** **D12/209**

(58) **Field of Search** **D12/204-211;**
301/37.1, 64.1, 65

(56) **References Cited**

U.S. PATENT DOCUMENTS

D. 408,345	*	4/1999	Cullen	D12/209
D. 413,852	*	9/1999	Cullen	D12/209
D. 418,794	*	1/2000	Chung	D12/209
D. 423,442	*	4/2000	Hussaini et al.	D12/209
D. 428,594	*	7/2000	Neeper	D12/209
D. 430,095	*	8/2000	Lotson	D12/211
D. 431,515	*	10/2000	Donikoglu	D12/209
D. 431,516	*	10/2000	Kaucher	D12/209
D. 431,517	*	10/2000	Donikoglu	D12/209

D. 432,972	*	10/2000	Chung	D12/209
D. 433,370	*	11/2000	Hussaini et al.	D12/209
D. 433,373	*	11/2000	Hussaini et al.	D12/209
D. 433,375	*	11/2000	Fitzgerald	D12/209
D. 433,658	*	11/2000	Donikoglu	D12/209
D. 436,567	*	1/2001	Takechi	D12/209
D. 436,574	*	1/2001	Tunstill	D12/211
D. 436,907	*	1/2001	Ong	D12/209

* cited by examiner

Primary Examiner—Stacia Cadmus

(74) *Attorney, Agent, or Firm*—Fulwider Patton Lee & Utecht, LLP

(57) **CLAIM**

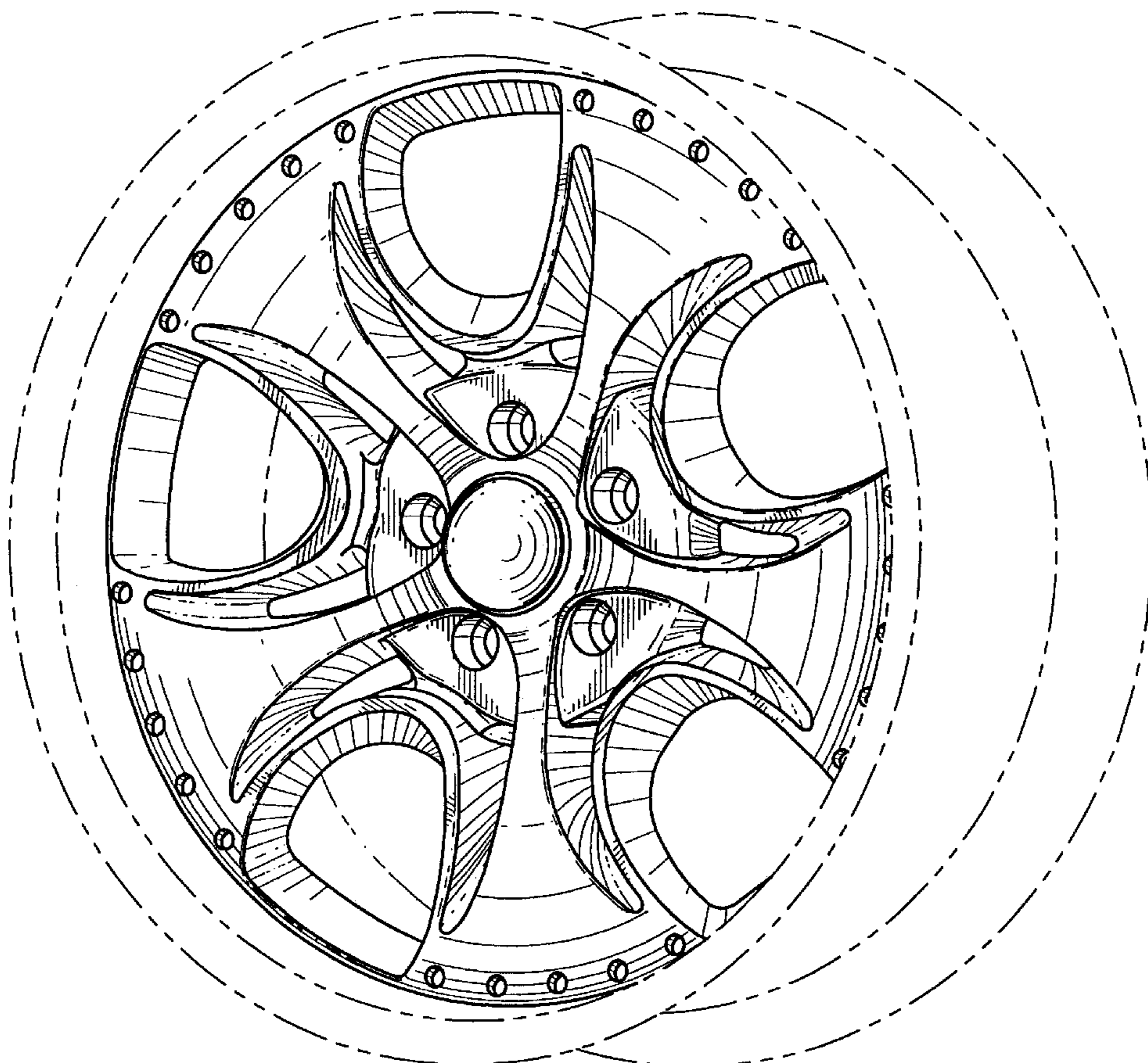
The ornamental design for the “vehicle wheel”, as shown and described.

DESCRIPTION

FIG. 1 is a perspective view of the vehicle wheel showing my new design;
FIG. 2 is a front elevational view thereof; and,
FIG. 3 is a section view thereof, taken along lines 3—3 in FIG. 2.

The broken line showing of environment is for illustrative purposes only and forms no part of the claimed design.

1 Claim, 3 Drawing Sheets



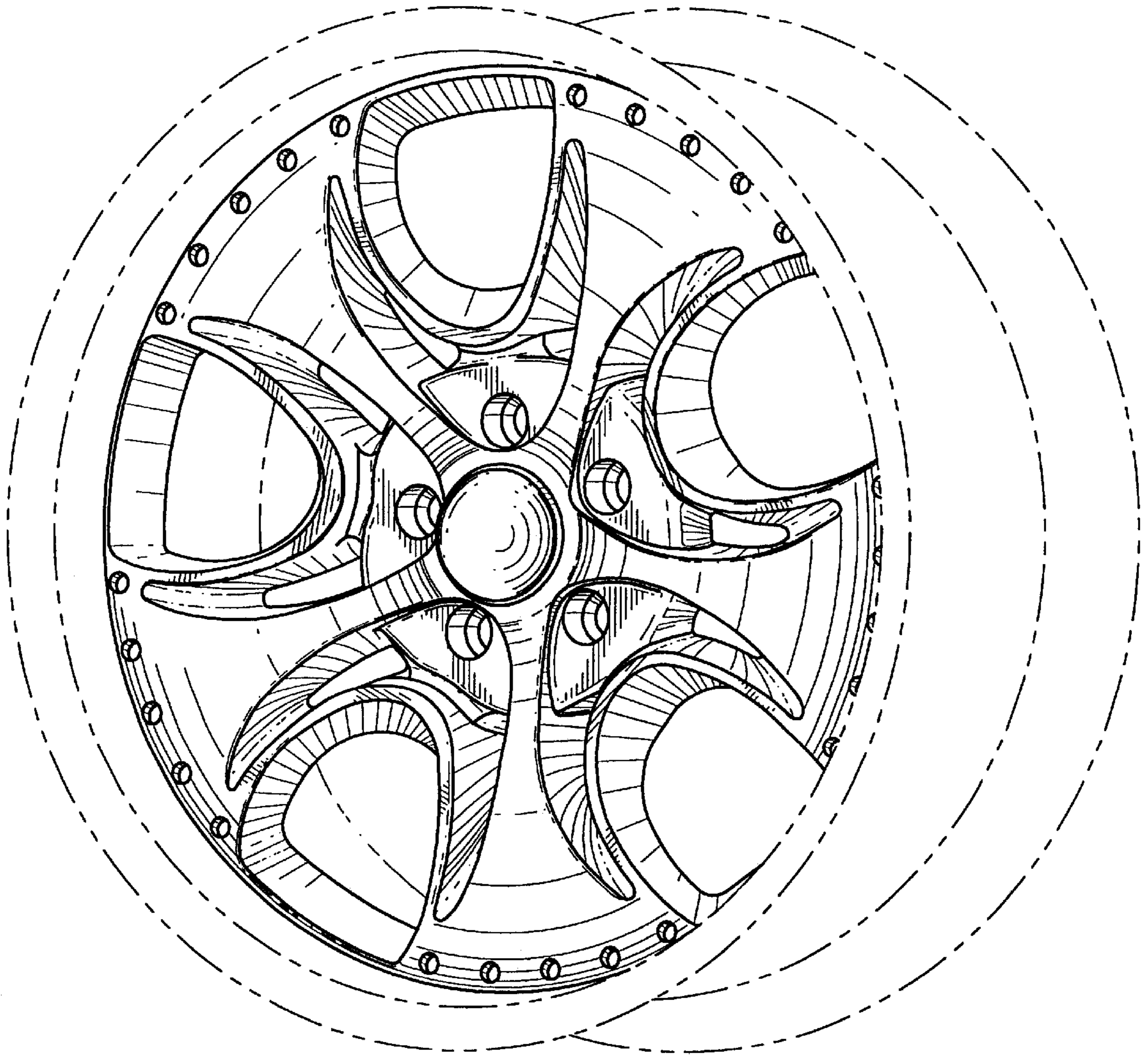


FIG. 1

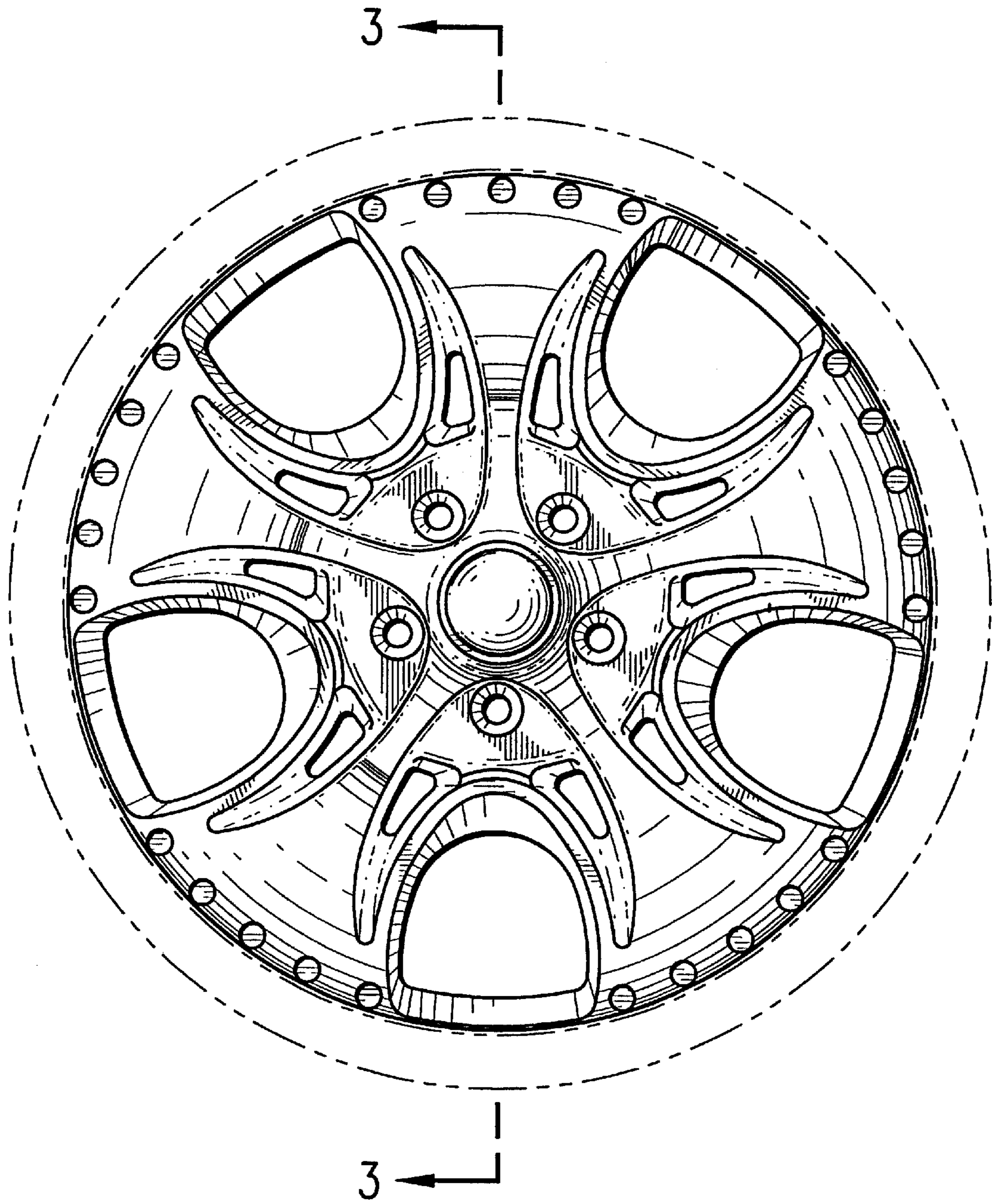


FIG. 2

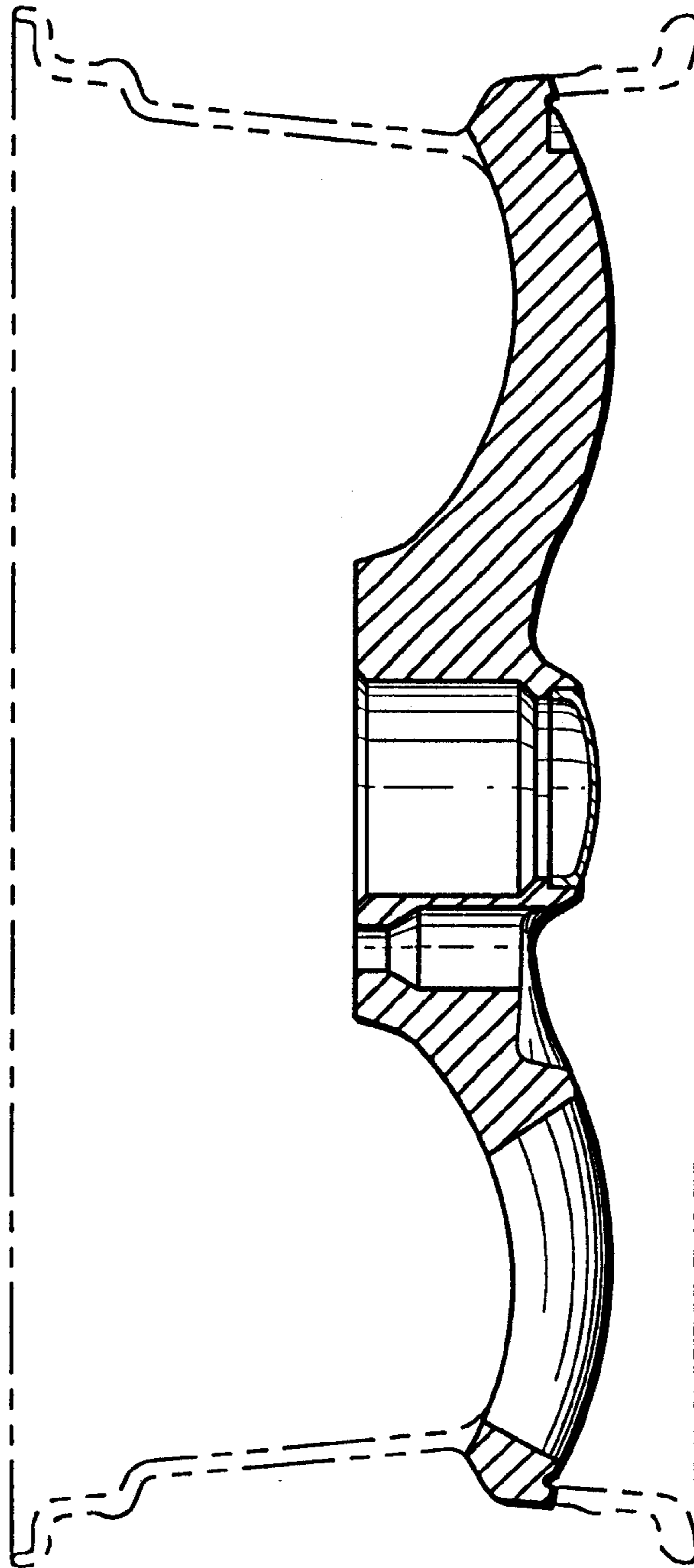


FIG. 3