



US00D445389S

(12) **United States Design Patent**  
**Stach**

(10) **Patent No.:** **US D445,389 S**

(45) **Date of Patent:** **\*\* Jul. 24, 2001**

(54) **WHEEL RIM**

(75) Inventor: **Jens Stach**, Heimsheim (DE)

(73) Assignee: **Lightcom GmbH**, Heldenstein (DE)

(\*\*) Term: **14 Years**

(21) Appl. No.: **29/129,025**

(22) Filed: **Sep. 5, 2000**

(30) **Foreign Application Priority Data**

Mar. 2, 2000 (DE) ..... 4 00 02 465

(51) **LOC (7) Cl.** ..... **12-16**

(52) **U.S. Cl.** ..... **D12/209**

(58) **Field of Search** ..... D12/204-211;  
301/37.1, 64.1, 65

(56) **References Cited**

**U.S. PATENT DOCUMENTS**

- D. 303,516 \* 9/1989 Arredondo, Jr. .... D12/209
- D. 352,021 \* 11/1994 Powers ..... D12/209
- D. 368,883 \* 4/1996 Rhor ..... D12/209
- D. 370,652 \* 6/1996 Londry ..... D12/209
- D. 372,697 \* 8/1996 Echazabal et al. .... D12/209
- D. 384,931 \* 10/1997 Neeper ..... D12/209
- D. 385,838 \* 11/1997 Cullen ..... D12/209
- D. 387,319 \* 12/1997 Timm et al. .... D12/209

- D. 388,749 \* 1/1998 Kiser ..... D12/211
- D. 389,101 \* 1/1998 Julien ..... D12/209
- D. 397,663 \* 9/1998 Chrysanto ..... D12/209
- D. 405,747 \* 2/1999 Sacco et al. .... D12/209
- D. 419,515 \* 1/2000 Brown ..... D12/209
- D. 438,155 \* 2/2001 Hanson ..... D12/209
- 3,782,778 1/1974 Tomozawa .

**FOREIGN PATENT DOCUMENTS**

- 3420402 A1 12/1985 (DE) .
- 2 291 873 6/1976 (FR) .
- WO 96/08383 3/1996 (WO) .

\* cited by examiner

*Primary Examiner*—Stacia Cadmus

(74) *Attorney, Agent, or Firm*—Alston & Bird LLP

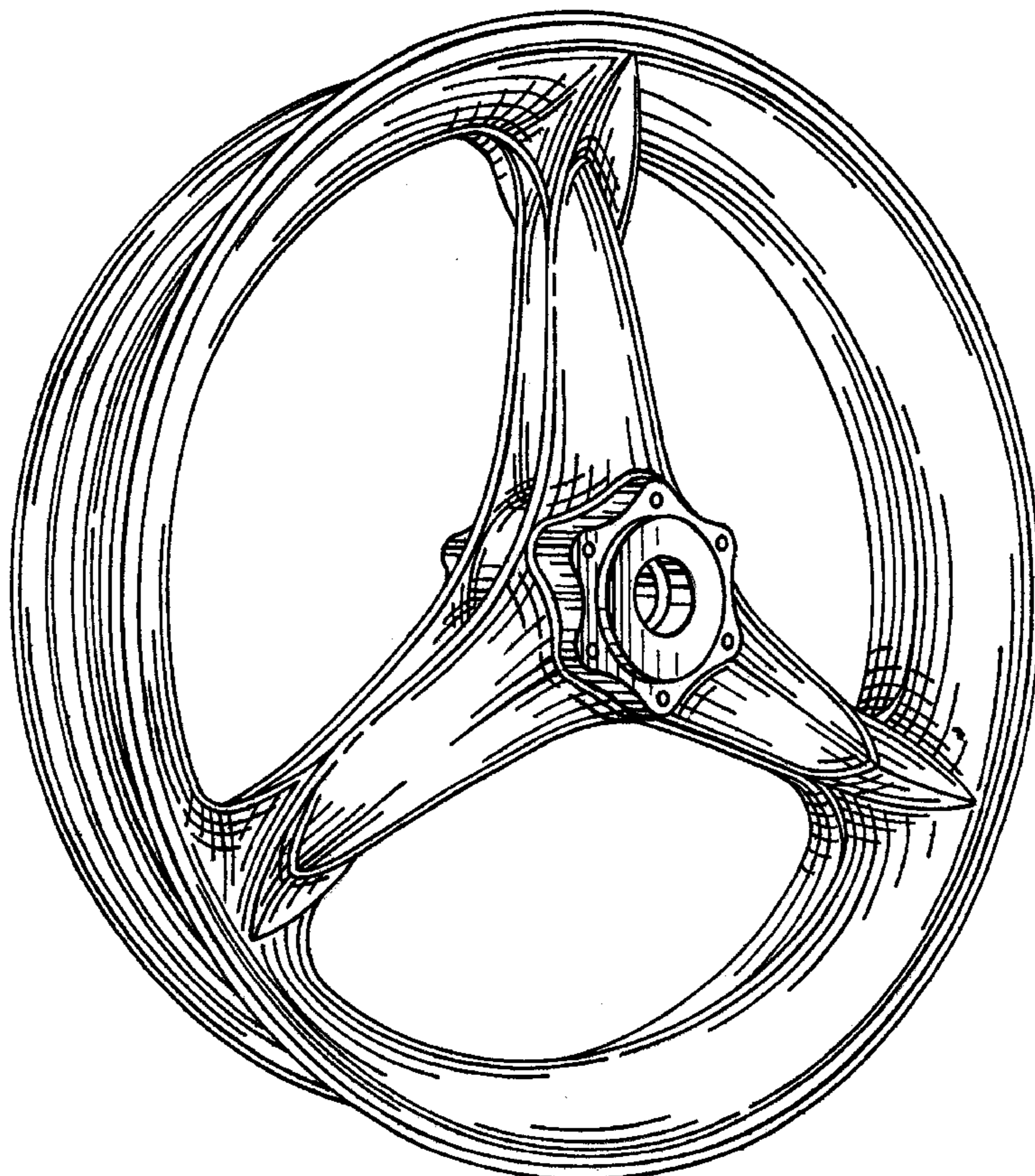
(57) **CLAIM**

The ornamental design for a wheel rim, as shown and described.

**DESCRIPTION**

FIG. 1 is a perspective view illustrating the new wheel rim; FIG. 2 is a front view illustrating the side of the wheel rim opposite that shown in FIG. 1; FIG. 3 is a side elevation view of the wheel rim; and, FIG. 4 is a sectional view taken along the line 4—4 of FIG. 1.

**1 Claim, 3 Drawing Sheets**



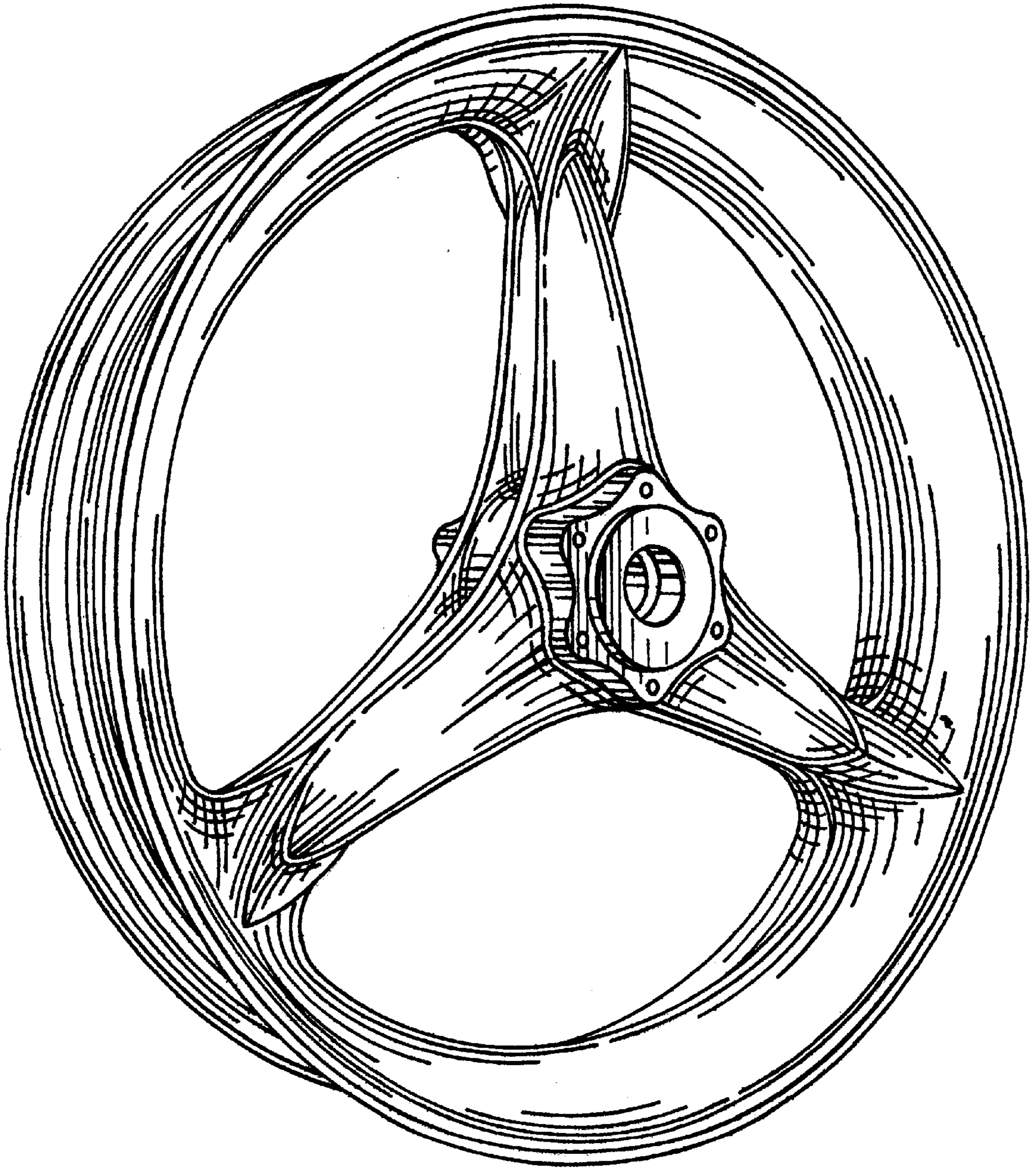


FIG. 1.

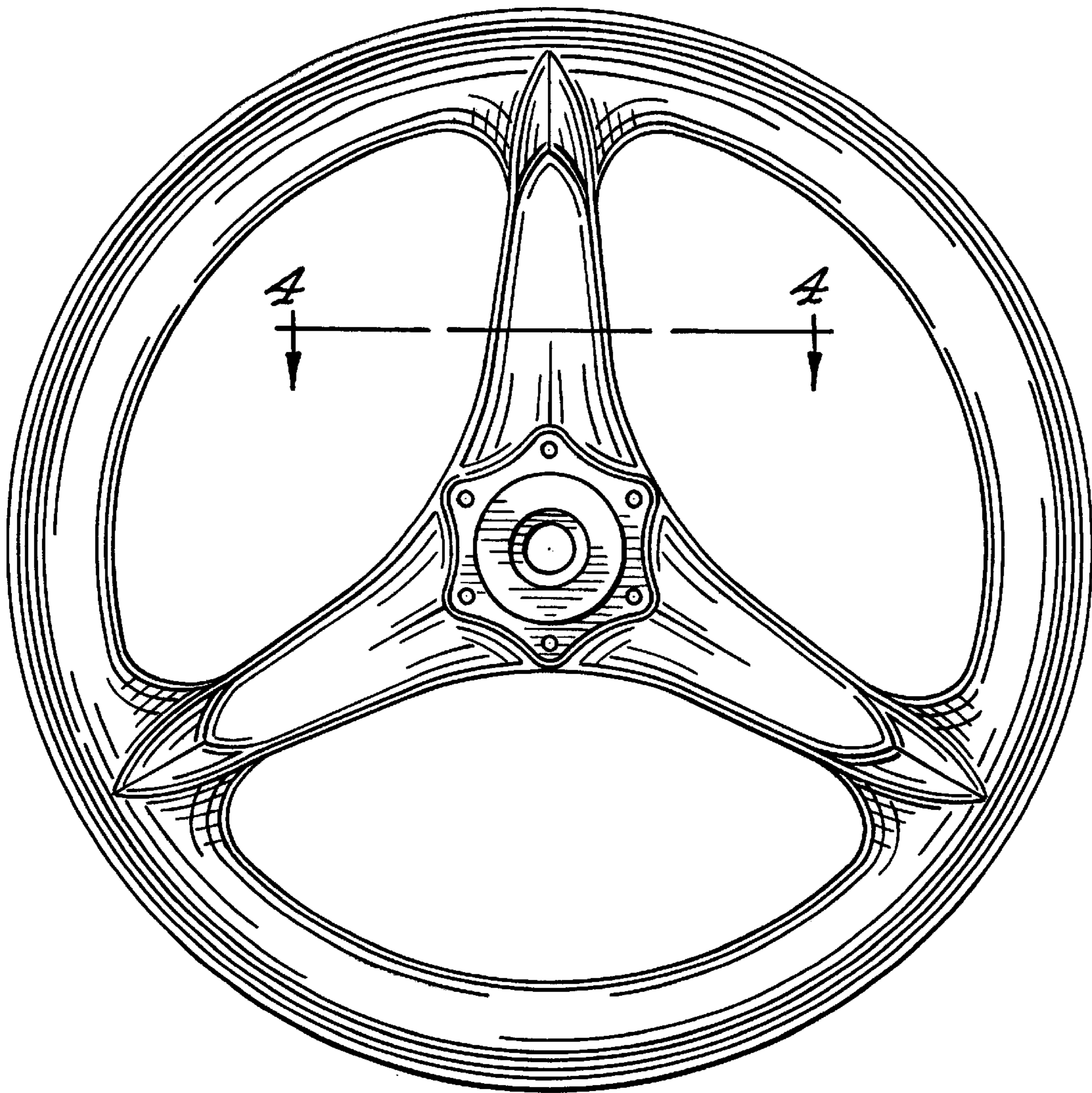


FIG. 2.

FIG. 3.

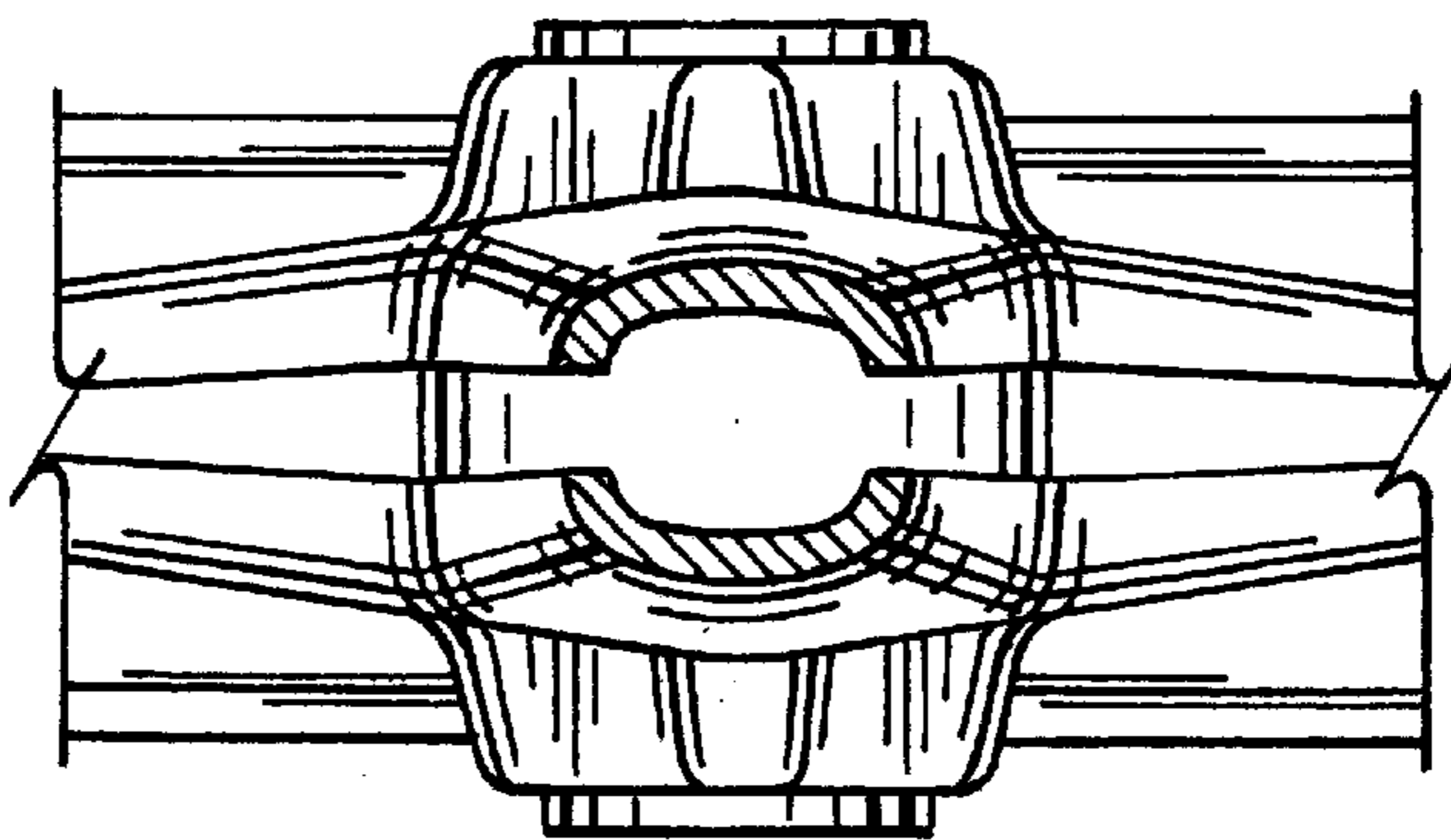
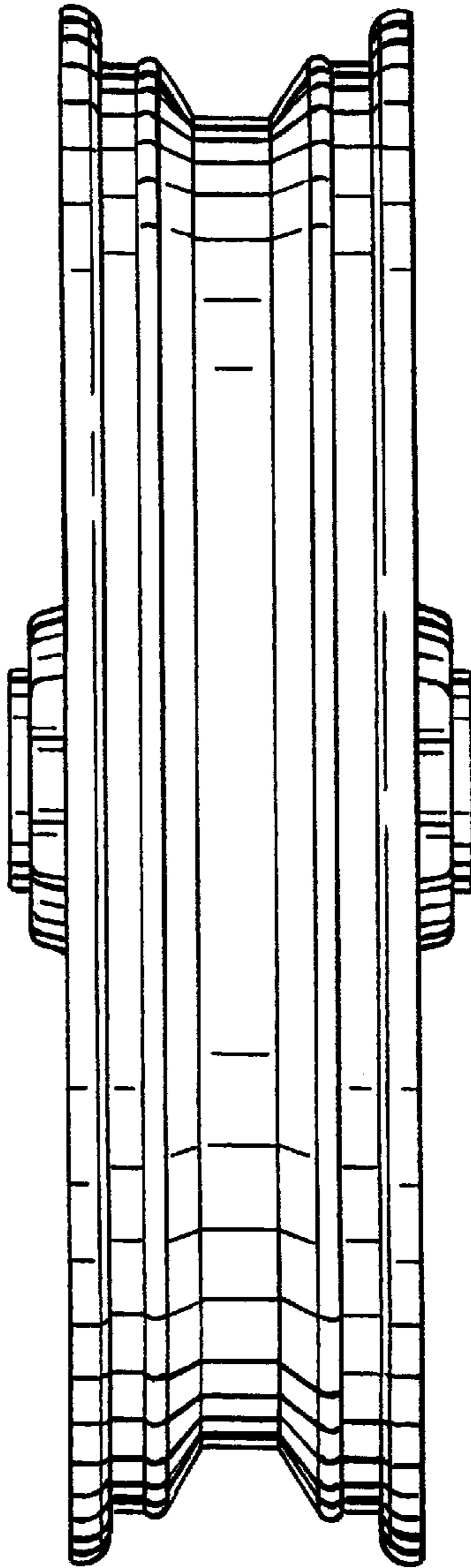


FIG. 4.