



US00D445385S

(12) **United States Design Patent**
Hallgrimsson

(10) **Patent No.:** **US D445,385 S**

(45) **Date of Patent:** **** Jul. 24, 2001**

(54) **BRAKE HANDLE**

(75) Inventor: **Bjarki H. Hallgrimsson**, Bridgetown (BB)

(73) Assignee: **Random Products Trust (BB)**

(**) Term: **14 Years**

(21) Appl. No.: **29/126,238**

(22) Filed: **Jul. 10, 2000**

(30) **Foreign Application Priority Data**

Jan. 25, 2000 (CA) 2000-0171

(51) **LOC (7) Cl.** **12-16**

(52) **U.S. Cl.** **D12/179**

(58) **Field of Search** D12/179; 74/551.8, 74/551.9, 502.5, 523, 479, 475

(56) **References Cited**

U.S. PATENT DOCUMENTS

D. 380,720 * 7/1997 Anderson D12/179

D. 418,467 * 1/2000 Panasewicz D12/179

4,019,402 * 4/1977 Leonhart 74/502.2

4,232,565 * 11/1980 Leonhart 74/489

* cited by examiner

Primary Examiner—Melody N. Brown

(57) **CLAIM**

The ornamental design for a brake handle, as shown and described.

DESCRIPTION

FIG. 1 is a side view of the brake handle showing my new design;

FIG. 2 is a top view thereof;

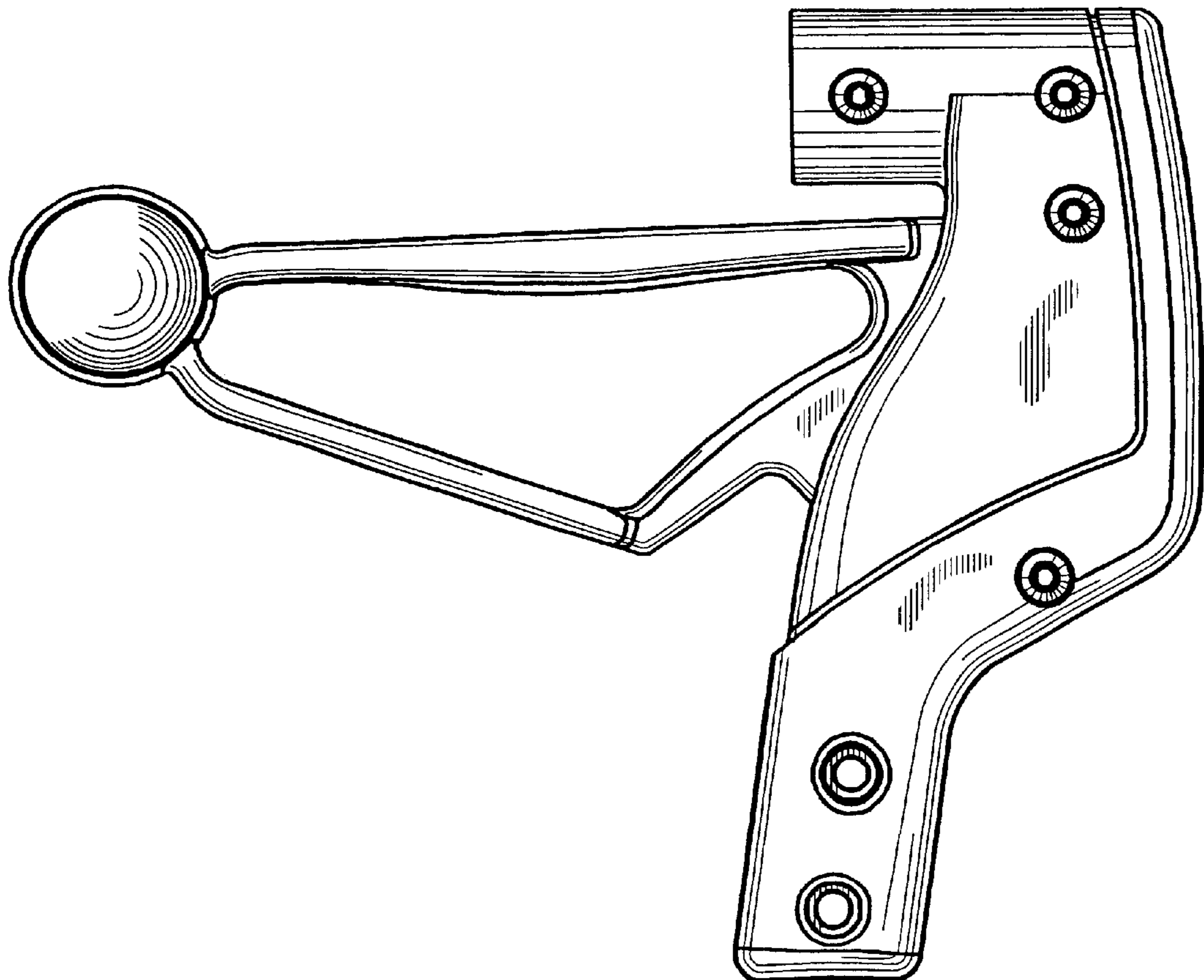
FIG. 3 is a bottom view thereof;

FIG. 4 is a front view thereof;

FIG. 5 is a rear view thereof; and,

FIG. 6 is a side view showing the side opposite to FIG. 1 thereof.

1 Claim, 2 Drawing Sheets



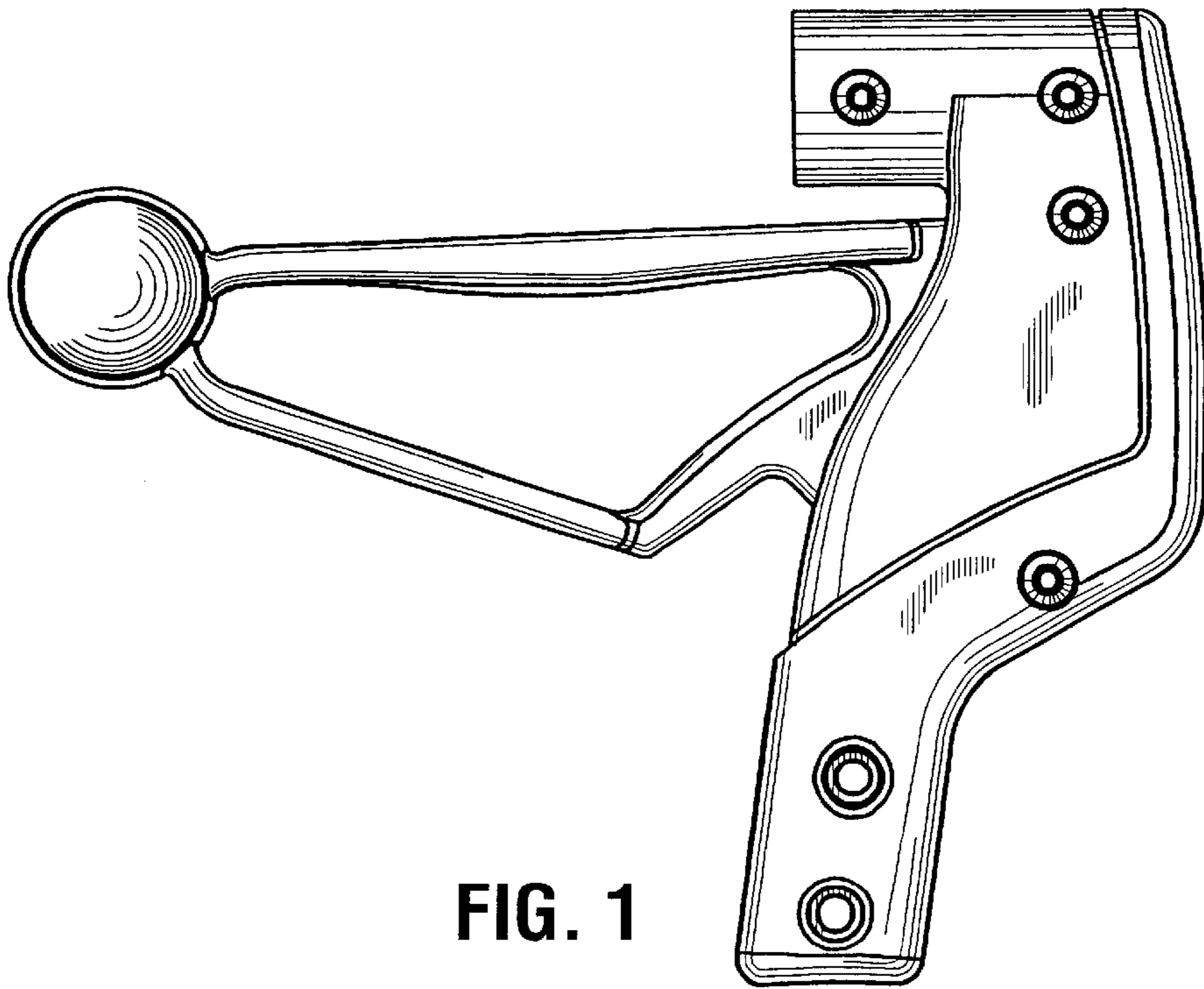


FIG. 1

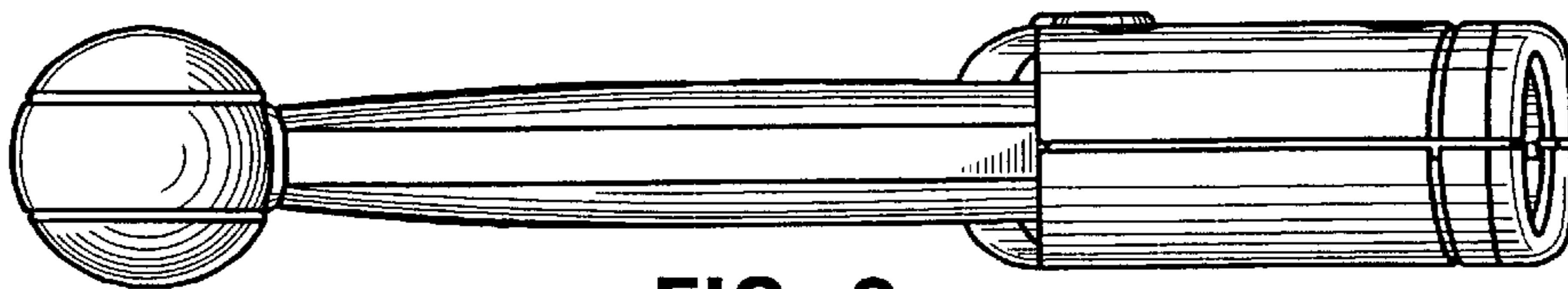


FIG. 2

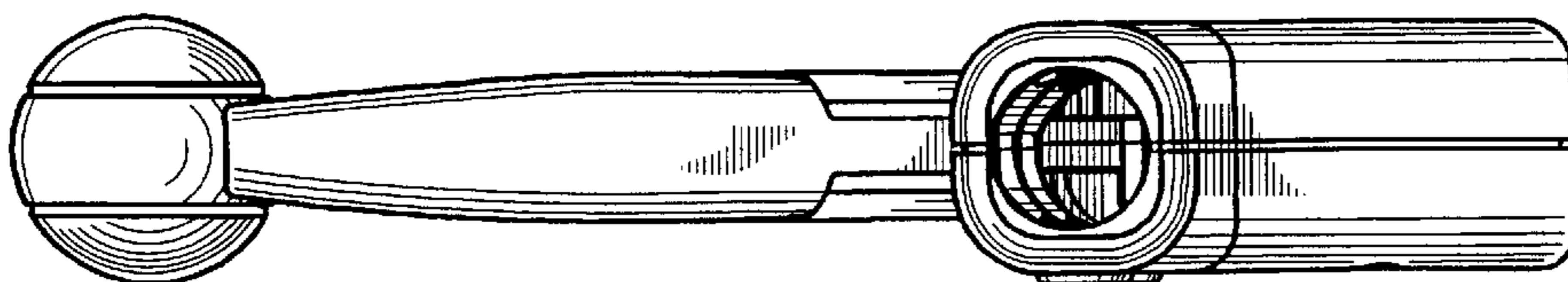


FIG. 3

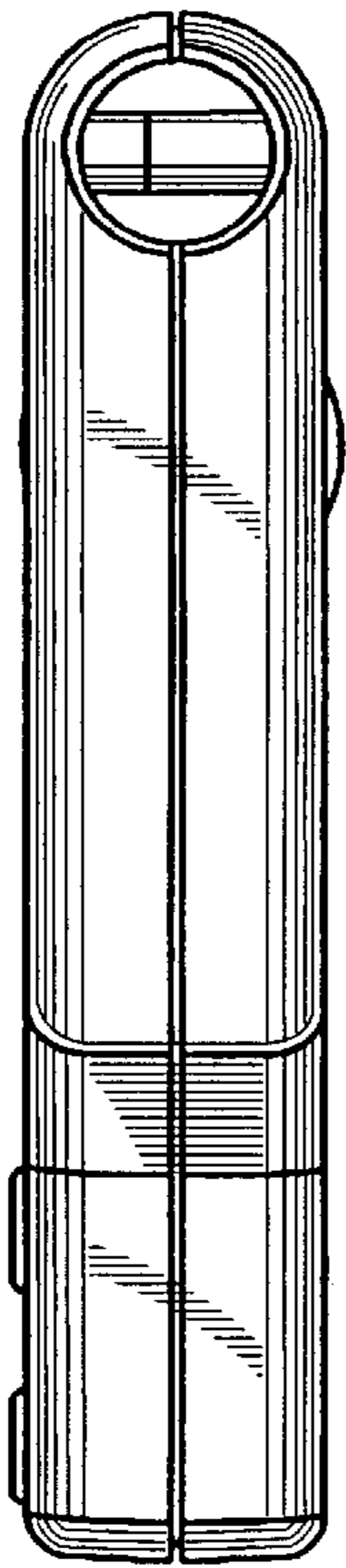


FIG. 4

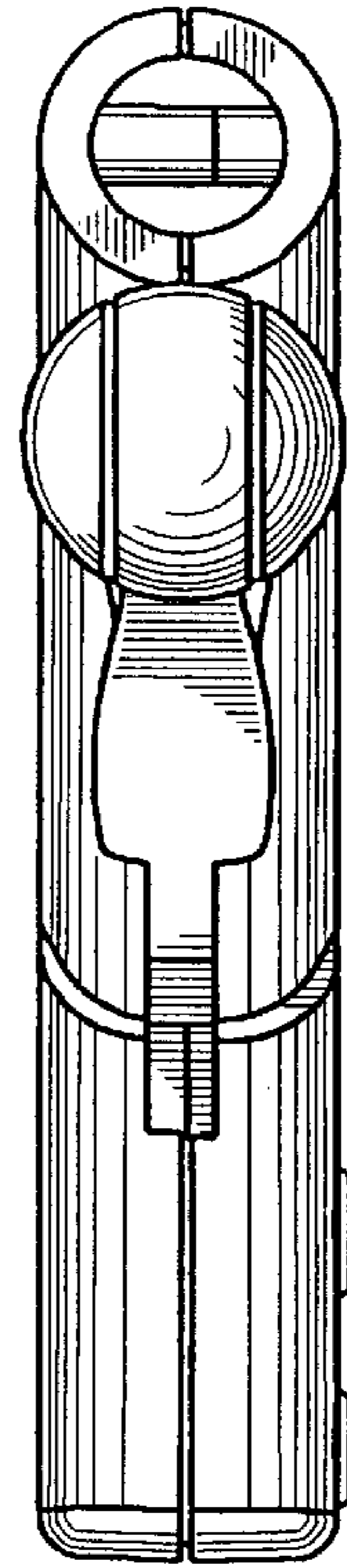


FIG. 5

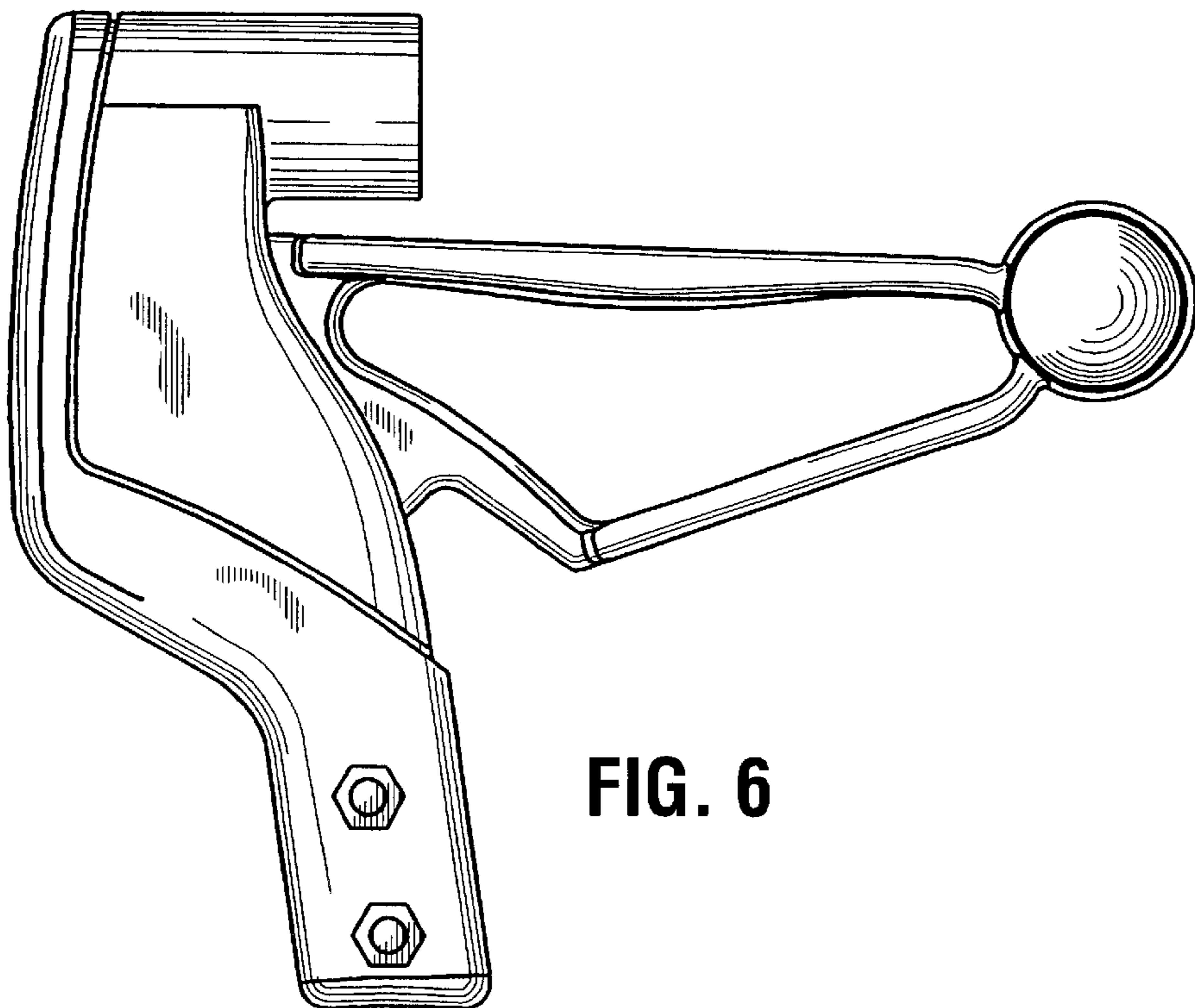


FIG. 6