



US00D445384S

(12) **United States Design Patent**
Tirey et al.

(10) **Patent No.:** **US D445,384 S**

(45) **Date of Patent:** **** Jul. 24, 2001**

(54) **HOOD FOR A TRUCK VEHICLE**

(75) Inventors: **Robert S. Tirey; Franz Mueller**, both of Fort Wayne; **Robert M. Zimmerman**, Kendalville; **L. David Allendorph**, Fort Wayne, all of IN (US)

D. 401,198 11/1998 Mueller et al. .
D. 403,285 12/1998 Abalos et al. .
D. 403,620 1/1999 Abalos et al. .
D. 403,637 1/1999 Abalos et al. .
D. 435,816 * 1/2001 Delashaw et al. D12/173
D. 436,363 * 1/2001 Delashaw et al. D12/173
D. 437,574 * 2/2001 Deggel D12/173

(73) Assignee: **International Truck and Engine Corporation**, Chicago, IL (US)

* cited by examiner

(**) Term: **14 Years**

Primary Examiner—Melody N. Brown
(74) *Attorney, Agent, or Firm*—Jeffrey P. Calfa; Dennis Kelly Sullivan; Gilberto Hernandez

(21) Appl. No.: **29/130,660**

(22) Filed: **Oct. 5, 2000**

(57) **CLAIM**

(51) **LOC (7) Cl.** **12-16**

(52) **U.S. Cl.** **D12/173**

(58) **Field of Search** D12/173, 96, 93;
180/89.12–89.16; 296/180.1, 180.2, 190

The ornamental design for a hood for a truck vehicle, as shown and described.

DESCRIPTION

(56) **References Cited**

U.S. PATENT DOCUMENTS

- D. 306,421 3/1990 Allendorph et al. .
- D. 306,714 3/1990 Allendorph .
- D. 307,126 4/1990 Allendorph et al. .
- D. 328,273 7/1992 McGrew, Jr. et al. .
- D. 335,272 5/1993 Allendorph et al. .
- D. 391,908 3/1998 Allendorph et al. .
- D. 394,624 5/1998 Allendorph et al. .

FIG. 1 is a left, front perspective view of an embodiment of a hood of a truck vehicle showing my new design; it may be understood that the broken lines on all figures are for illustrative purposes only and form no part of the claimed design;

FIG. 2 is a right side view of the invention shown in FIG. 1; FIG. 3 is a left side view of the invention shown in FIG. 1; FIG. 4 is a front view of the invention shown in FIG. 1; and, FIG. 5 is a top view of the invention shown in FIG. 1.

1 Claim, 2 Drawing Sheets

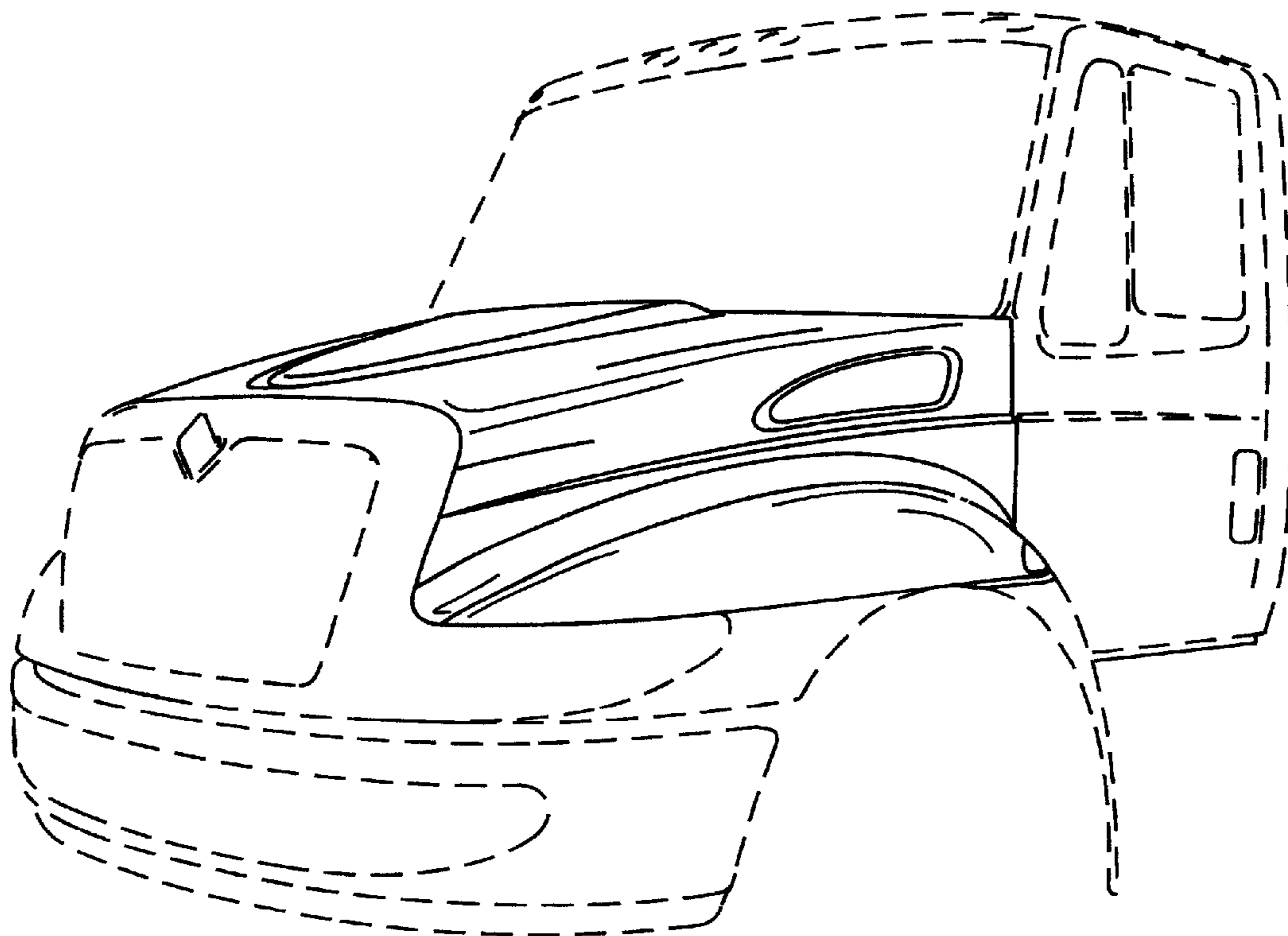


Fig. 1

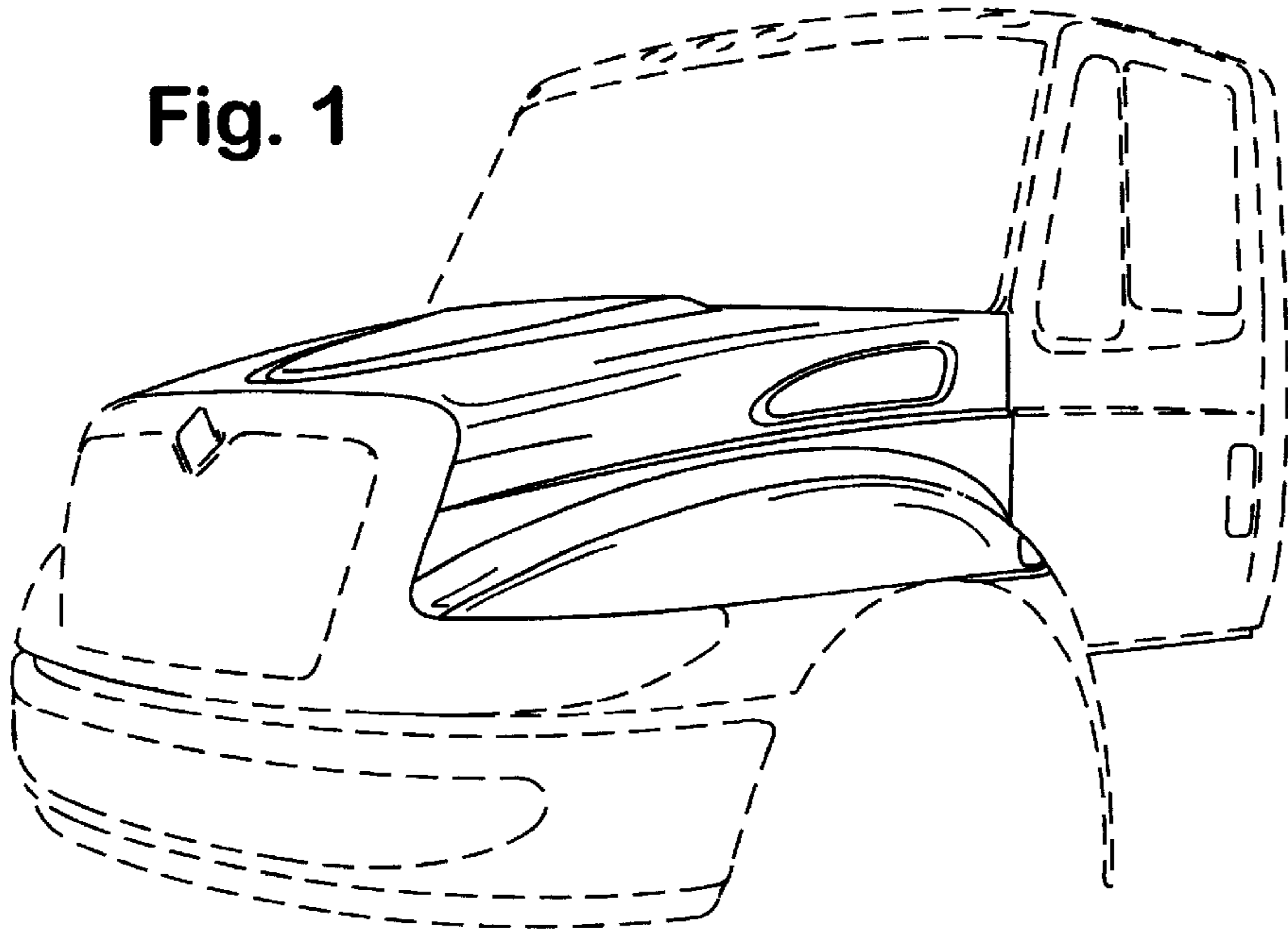


Fig. 5

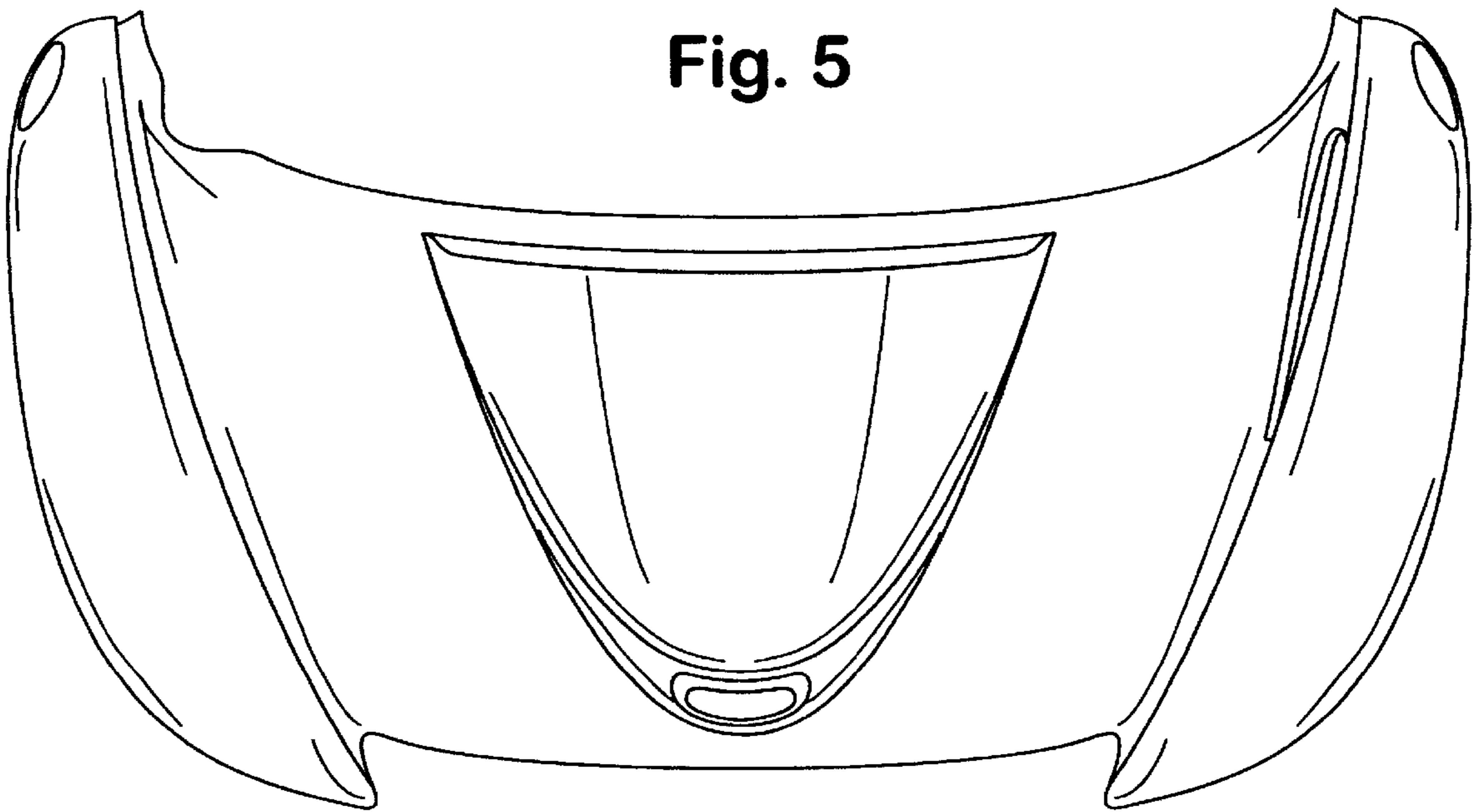


Fig. 2

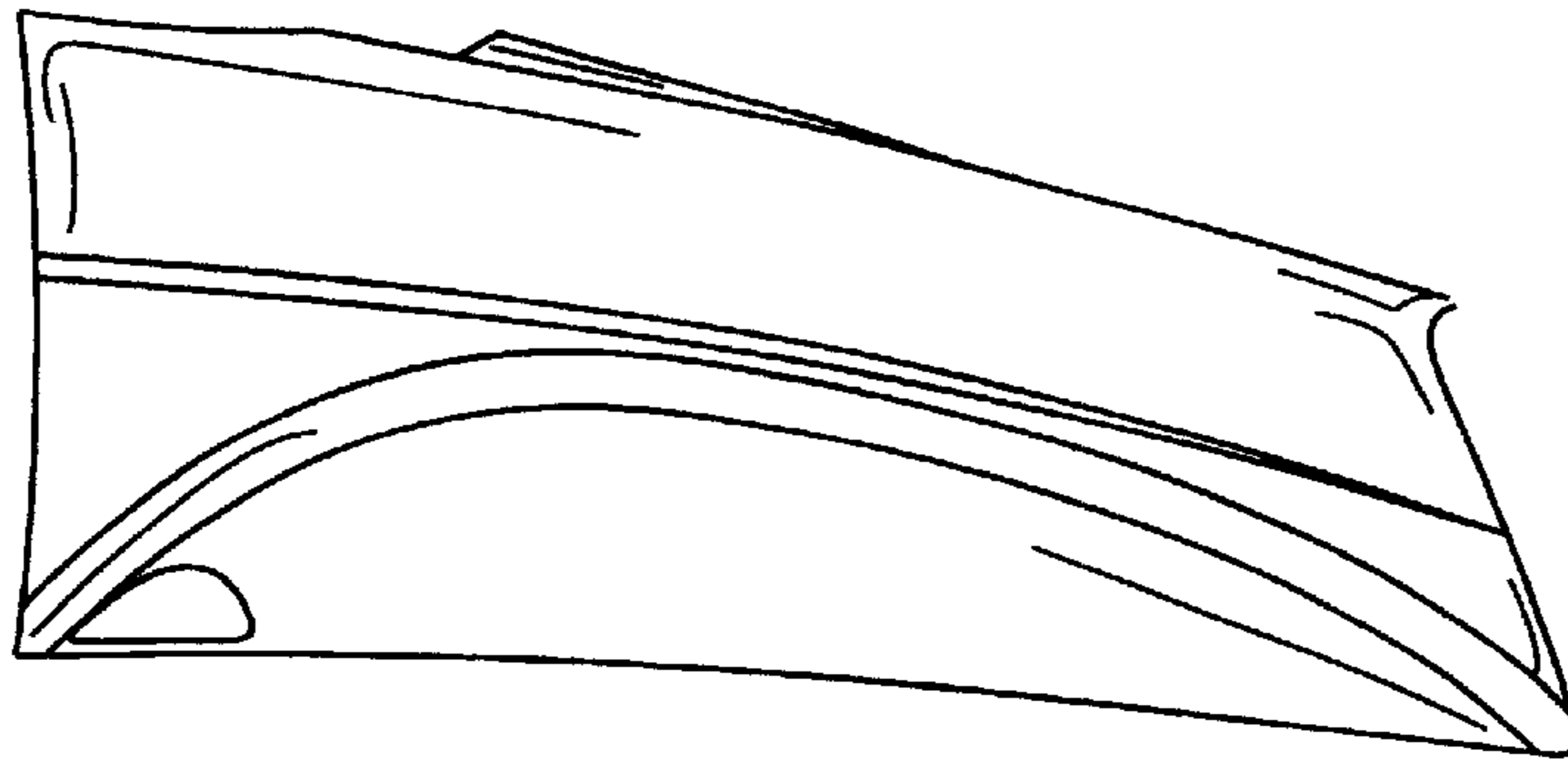


Fig. 3

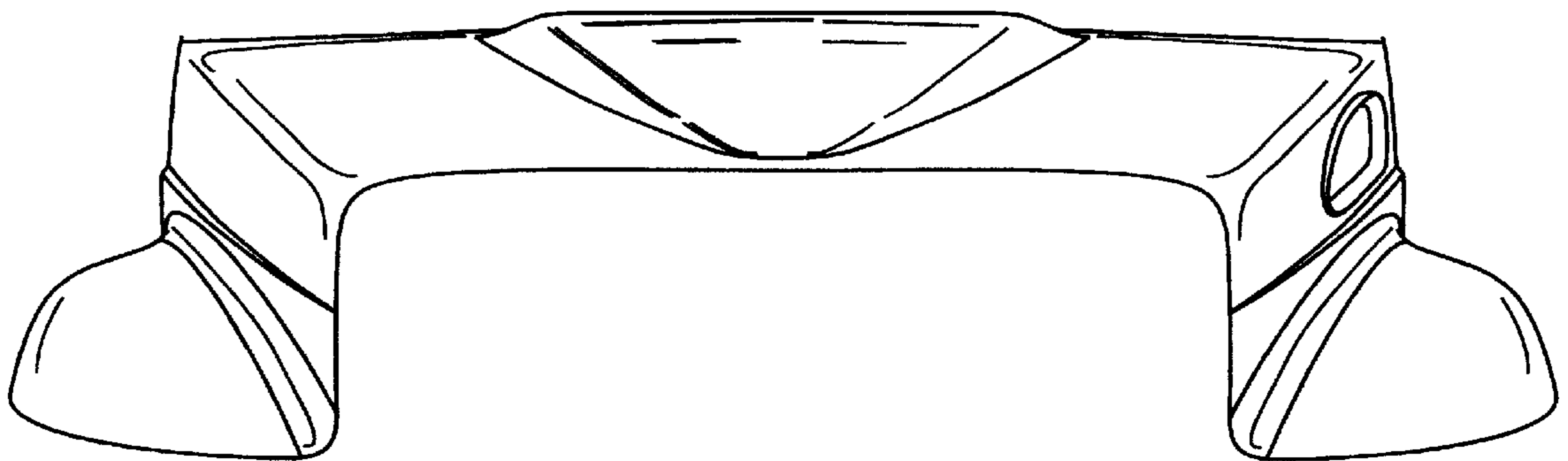
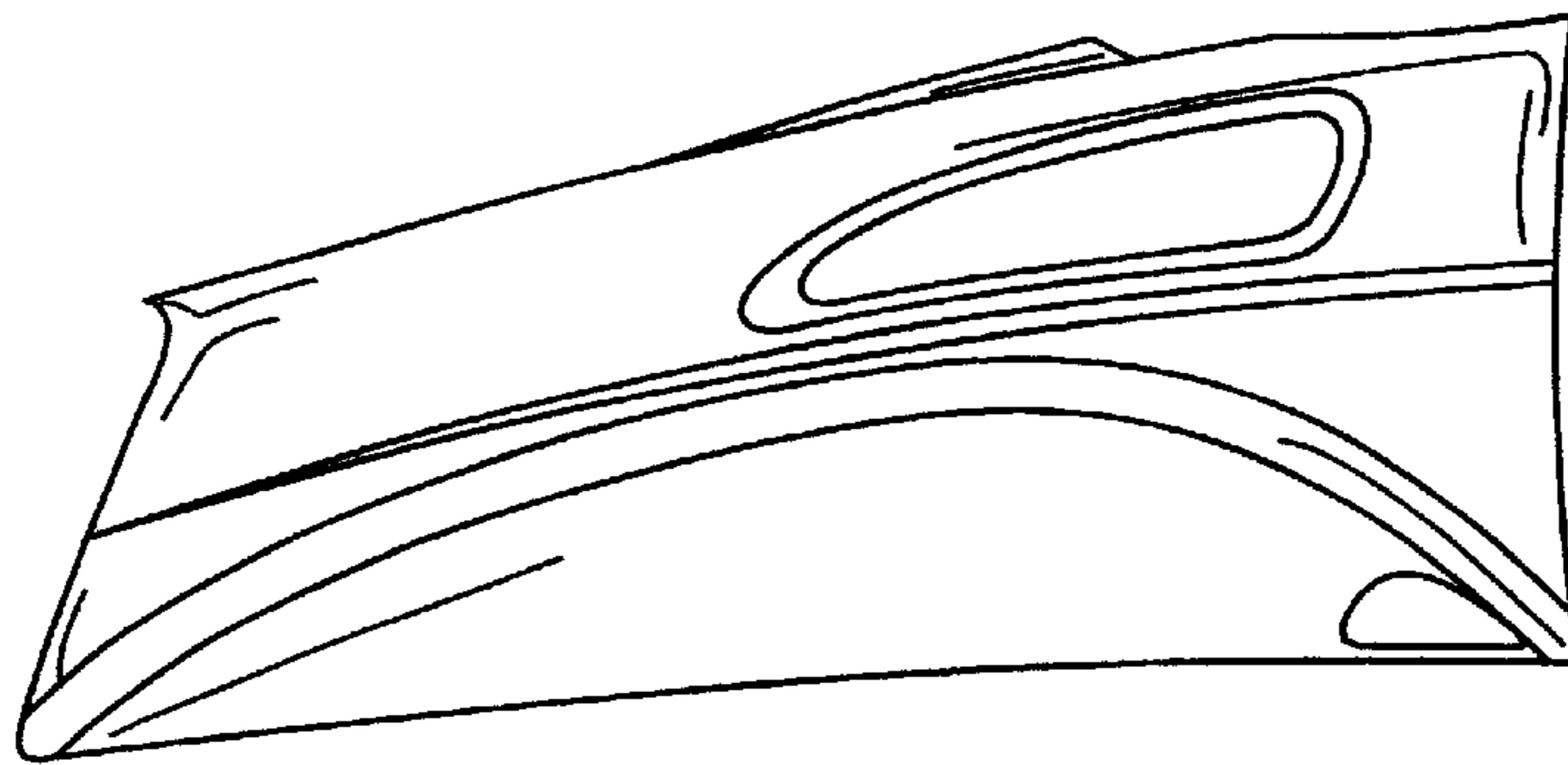


Fig. 4