



US00D445383S

(12) **United States Design Patent**
Price

(10) **Patent No.:** **US D445,383 S**

(45) **Date of Patent:** **** Jul. 24, 2001**

(54) **VEHICLE GRILL**

(75) Inventor: **Howard B. Price**, Chesterfield, MO (US)

(73) Assignee: **Howard Price Turf Equipment, Inc.**, Chesterfield, MO (US)

(**) Term: **14 Years**

(21) Appl. No.: **29/132,405**

(22) Filed: **Nov. 8, 2000**

(51) **LOC (7) Cl.** **12-16**

(52) **U.S. Cl.** **D12/163**

(58) **Field of Search** D12/163, 93, 96,
D12/170, 174; D15/31; 180/86.1, 86.6;
296/183, 190

D. 393,436	4/1998	Williams .	
D. 394,624	5/1998	Allendorph et al. .	
D. 401,543	11/1998	Mobley .	
D. 403,637	1/1999	Abalos et al. .	
D. 404,697	1/1999	Siltavuori .	
D. 411,210	6/1999	Goebert et al. .	
D. 411,493	6/1999	Davis, Jr. .	
D. 412,689	8/1999	Onopa .	
D. 420,633	* 2/2000	Daniels	D12/163
D. 427,205	* 6/2000	Shimizu	D12/173
D. 433,655	* 11/2000	Sacco et al.	D12/163

* cited by examiner

Primary Examiner—Melody N. Brown

(74) *Attorney, Agent, or Firm*—Howell & Haferkamp, L.C.

(57) **CLAIM**

The ornamental design for a vehicle grill, as shown and described.

(56) **References Cited**

U.S. PATENT DOCUMENTS

D. 266,921	11/1982	Parry .
D. 271,008	10/1983	Saporito .
D. 291,982	9/1987	Simons et al. .
D. 292,899	11/1987	Samuelson et al. .
D. 307,126	4/1990	Allendorph et al. .
D. 307,878	5/1990	Lechner .
D. 338,862	8/1993	Tisten et al. .
D. 339,357	9/1993	Teal et al. .
D. 343,818	2/1994	DeBaal et al. .
D. 352,723	11/1994	DeBaal et al. .
D. 367,027	2/1996	Onopa .
D. 382,279	8/1997	Goebert et al. .
D. 389,109	1/1998	Stollery .

DESCRIPTION

FIG. 1 is a left front perspective view of a vehicle grill of the present invention showing my new design;
 FIG. 2 is a front elevational view of the vehicle grill of FIG. 1;
 FIG. 3 is a left side elevational view of the vehicle grill of FIG. 1, the right side elevational view being a mirror image thereof; and,
 FIG. 4 is a top plan view of the vehicle grill of FIG. 1.
 The broken line representation of a vehicle hood in the Figures is for illustrative purposes only and forms no part of the claimed design.

1 Claim, 3 Drawing Sheets

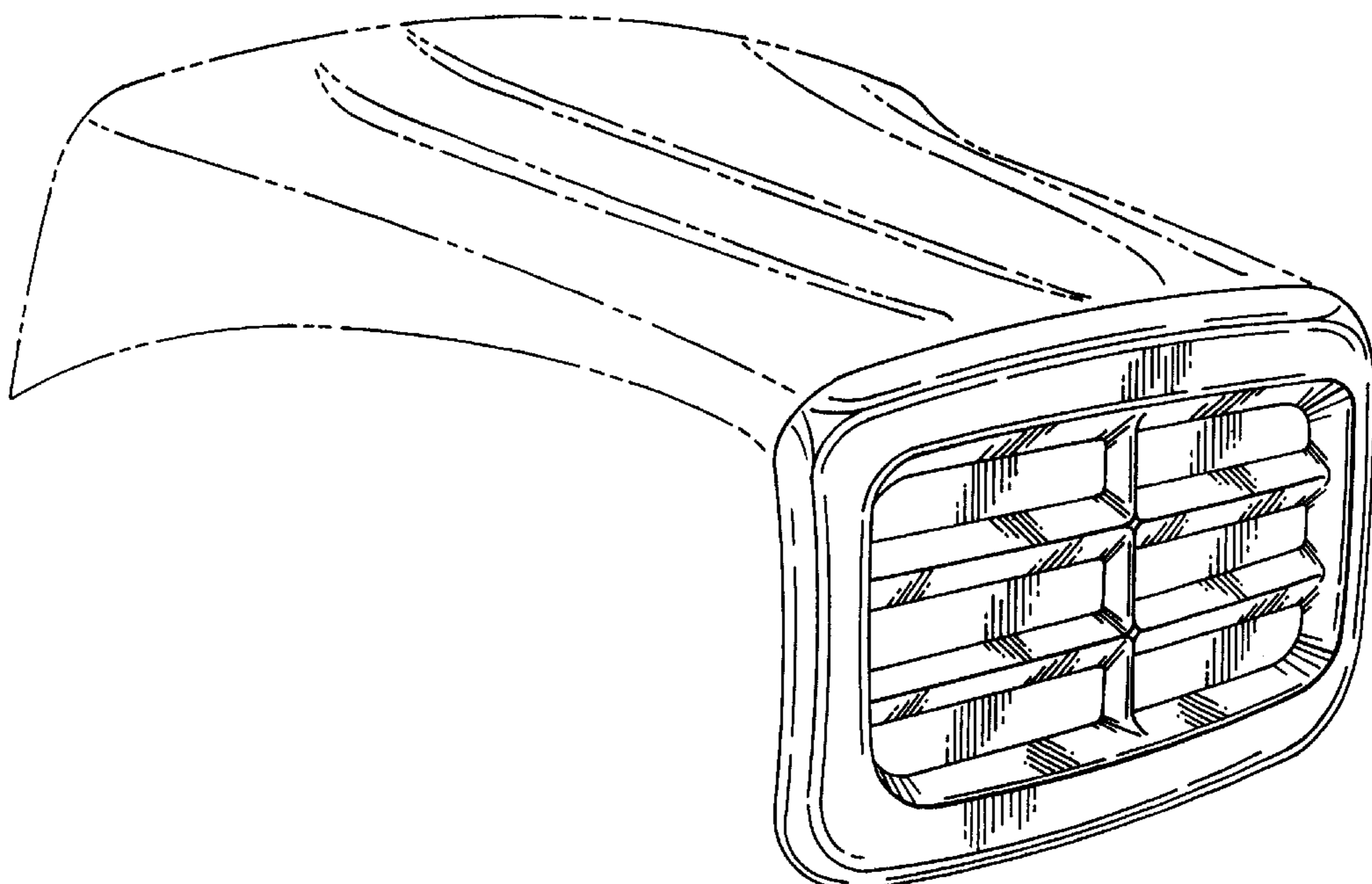


FIG. 1

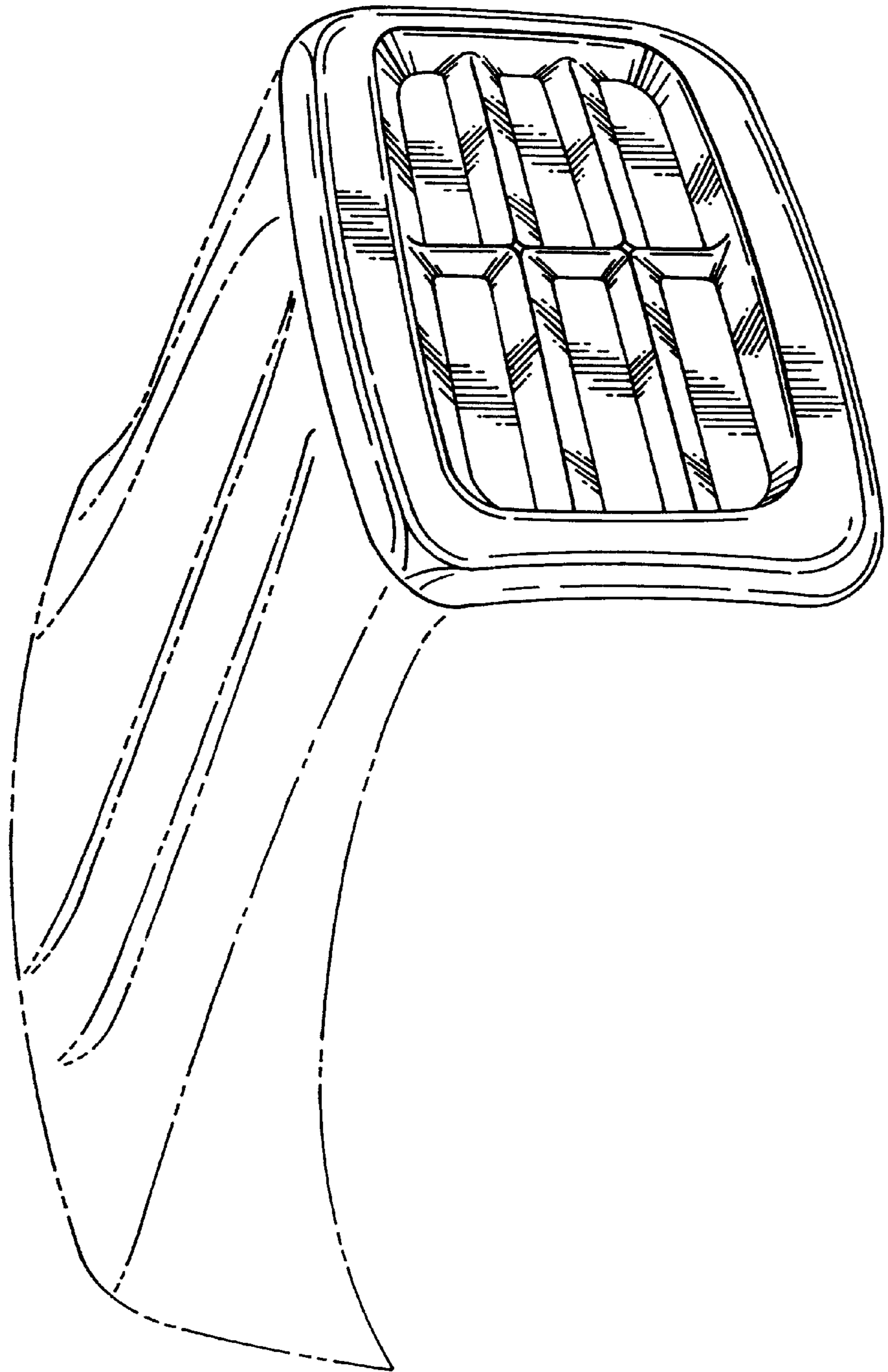


FIG. 2

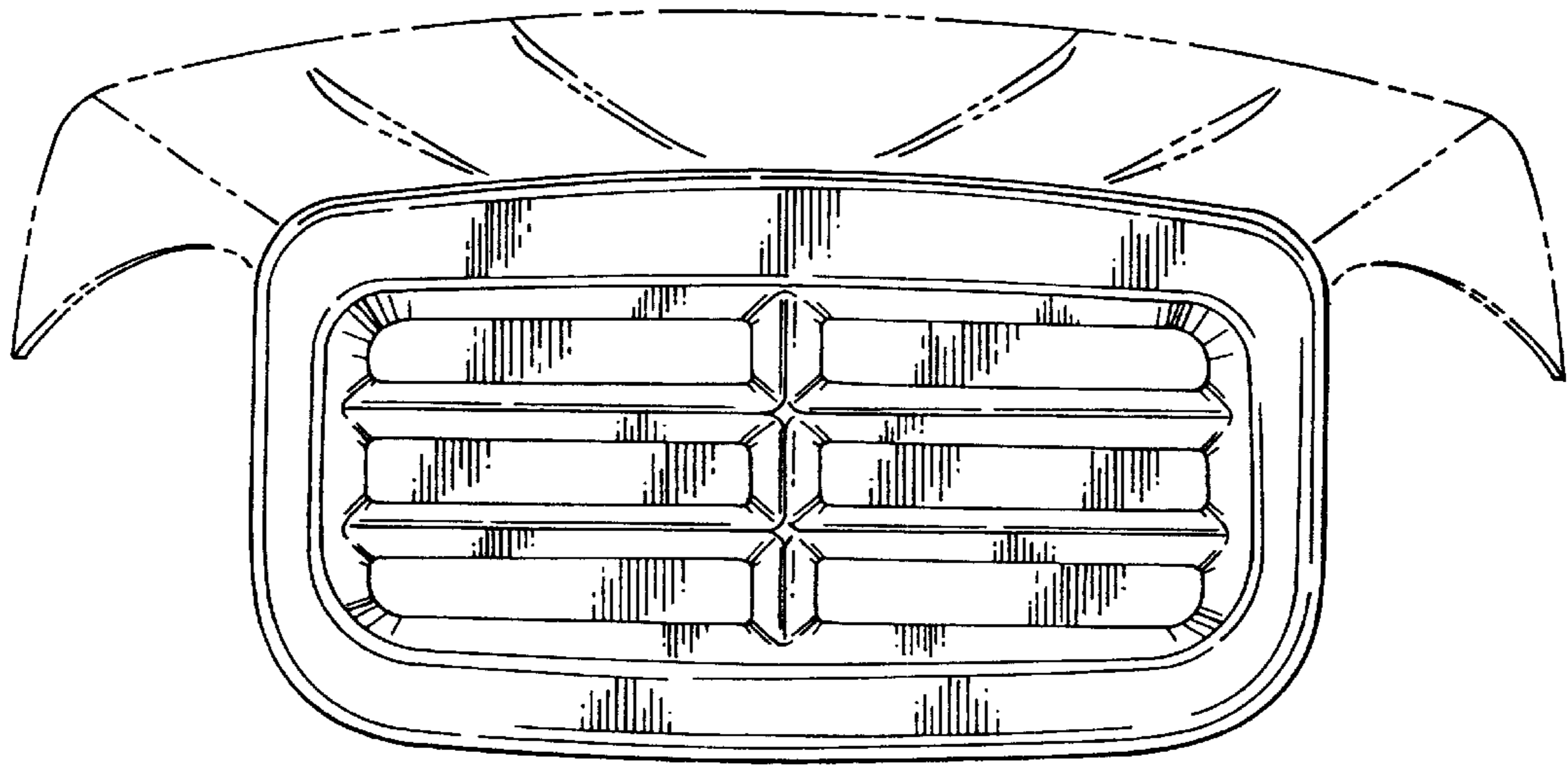


FIG. 3

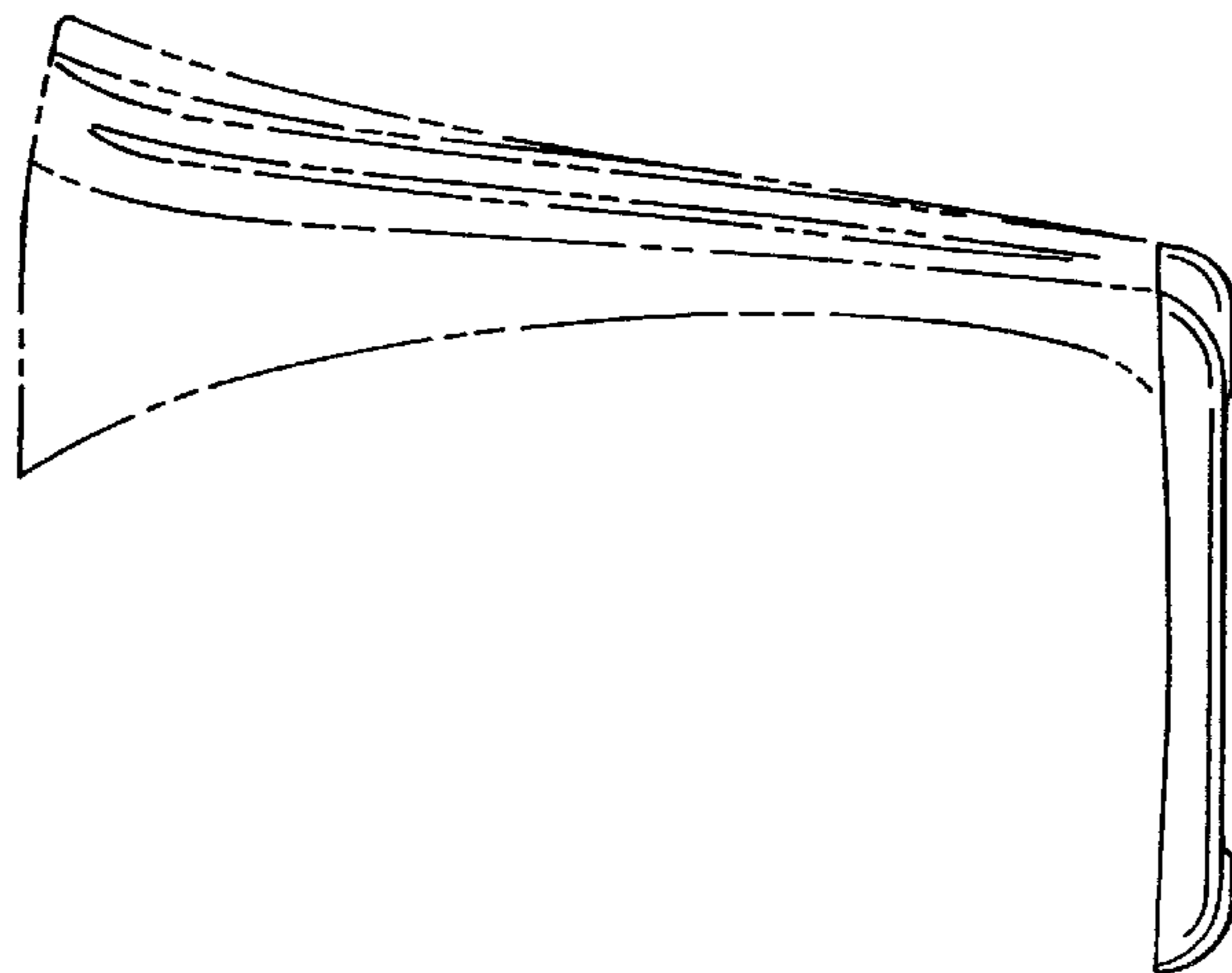


FIG. 4

