



US00D445367S

(12) **United States Design Patent**  
**Black et al.**

(10) **Patent No.:** **US D445,367 S**

(45) **Date of Patent:** **\*\* Jul. 24, 2001**

(54) **BABY STROLLER FORWARD FRAME**

D. 382,234 \* 8/1997 Hinkston ..... D12/133

(75) Inventors: **David A. Black**, Wynooche; **James Blubaugh**, Naches, both of WA (US)

\* cited by examiner

*Primary Examiner*—Kay H. Chin

(73) Assignee: **Racing Strollers, Inc.**, Yakima, WA (US)

(74) *Attorney, Agent, or Firm*—Seed IP Law Group

(\*\*) Term: **14 Years**

(57) **CLAIM**

The ornamental design for a baby stroller forward frame, as shown and described.

(21) Appl. No.: **29/123,633**

**DESCRIPTION**

(22) Filed: **May 19, 2000**

(51) **LOC (7) Cl.** ..... **12-12**

FIG. 1 is a front perspective view of a baby stroller forward frame showing our new design.

(52) **U.S. Cl.** ..... **D12/133; D12/129**

FIG. 2 is a top plan view thereof.

(58) **Field of Search** ..... D12/128-133;  
280/644, 650, 658, 47.4

FIG. 3 is a front elevational view thereof, the rear elevational view thereof being a mirror image thereto.

FIG. 4 is a bottom plan view thereof; and,

FIG. 5 is a left side elevational view thereof, the right side elevational view being a mirror image thereto.

The broken lines are for illustrative purposes only and form no part of the claimed design.

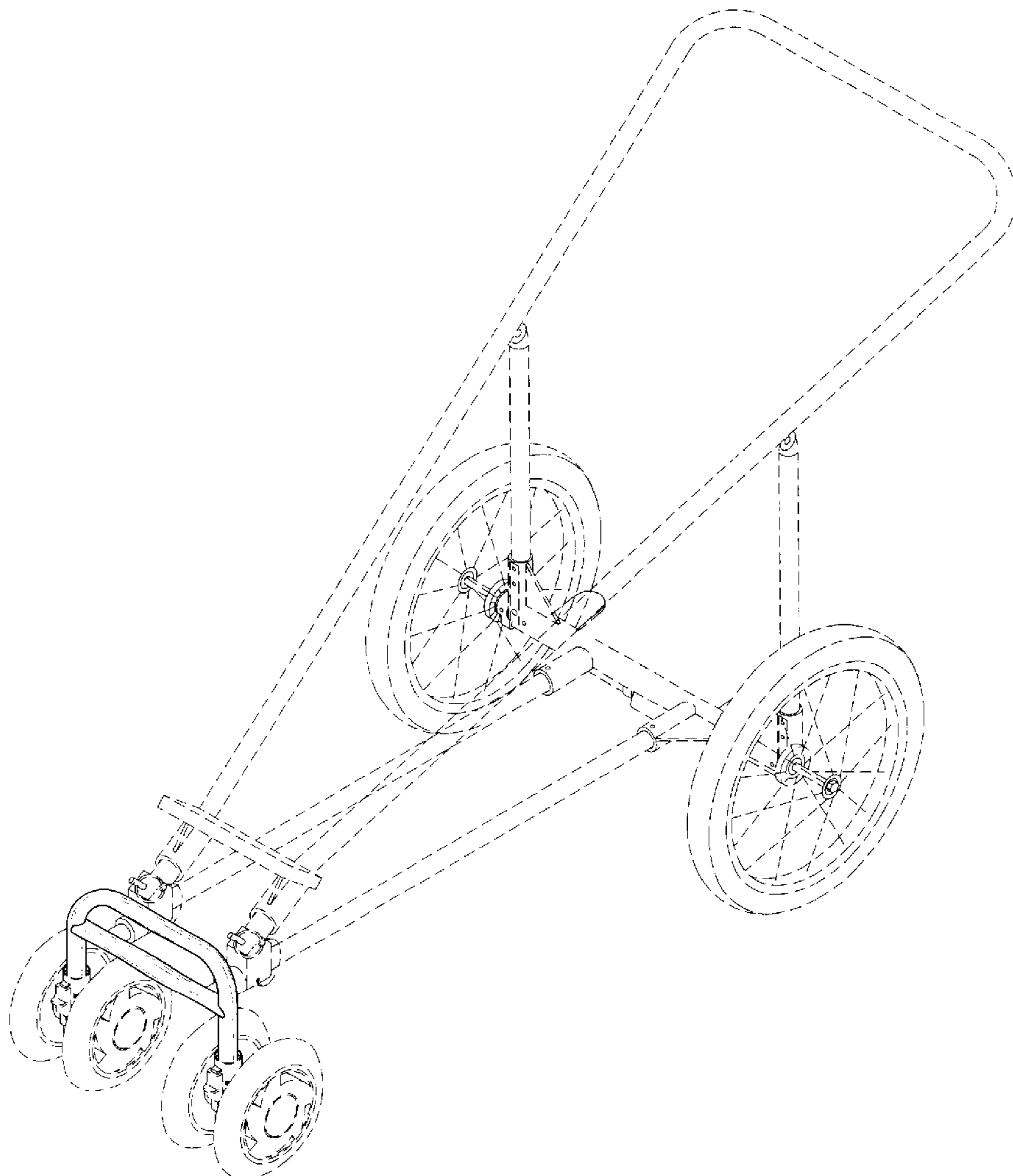
(56) **References Cited**

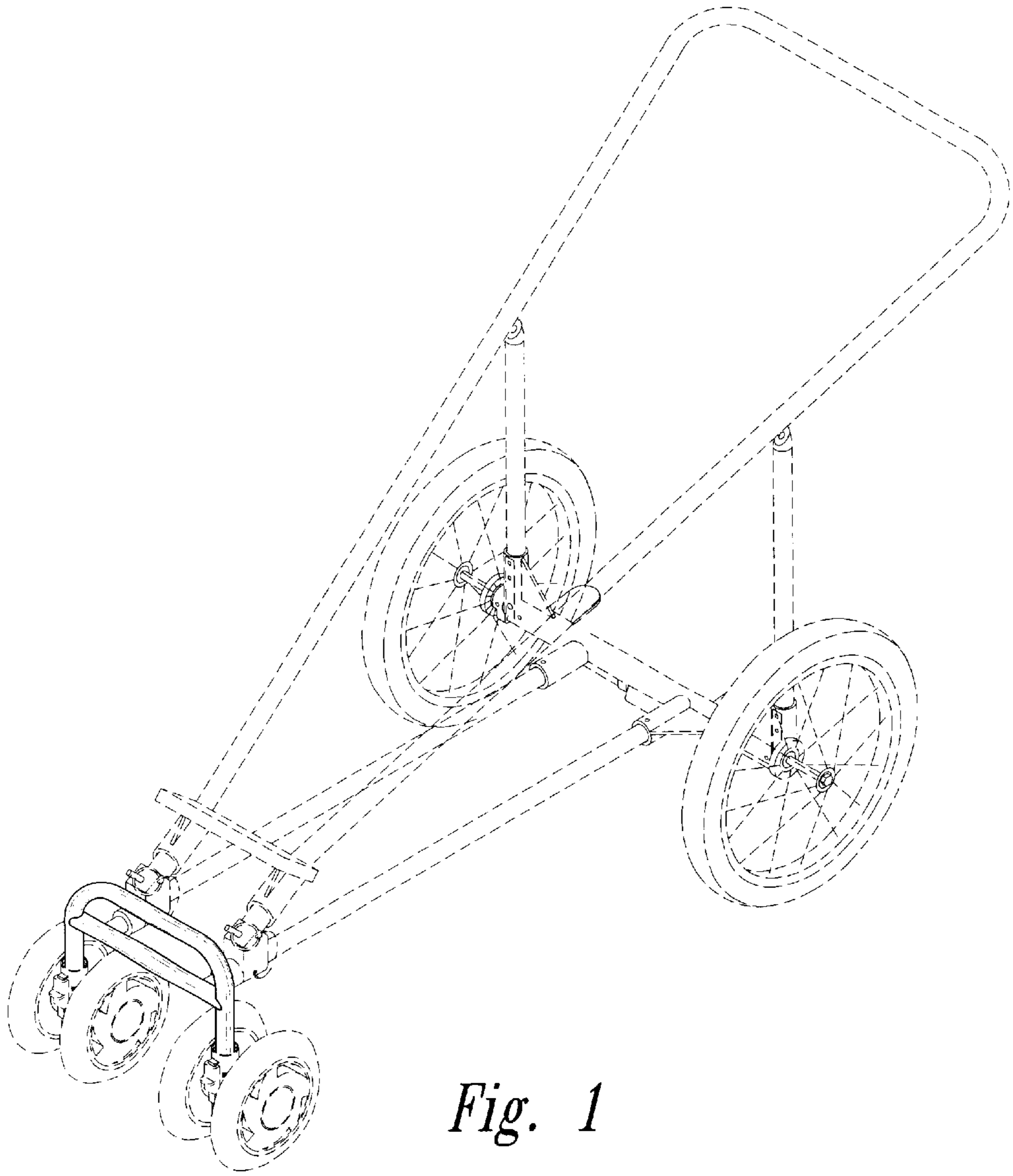
**U.S. PATENT DOCUMENTS**

D. 356,760 \* 3/1995 Baechler ..... D12/129

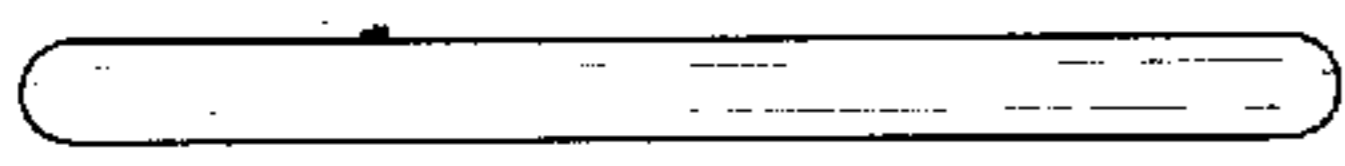
D. 369,579 \* 5/1996 Baechler ..... D12/133

**1 Claim, 1 Drawing Sheet**





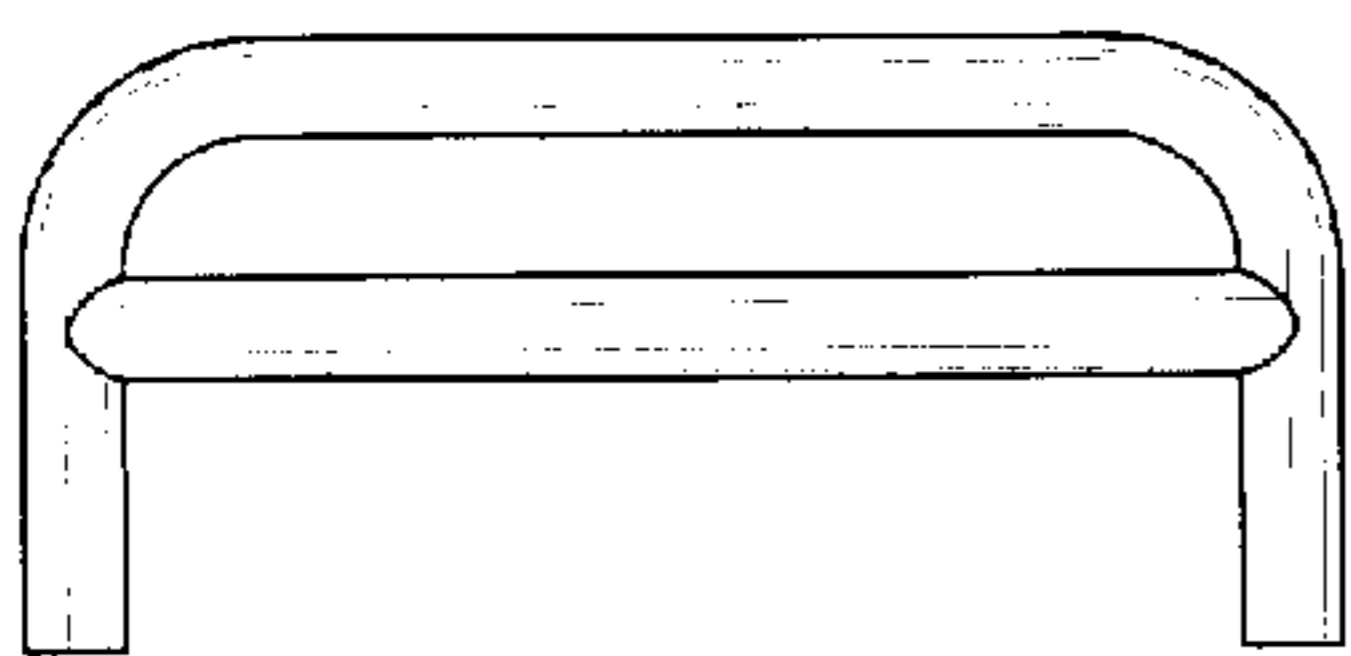
*Fig. 1*



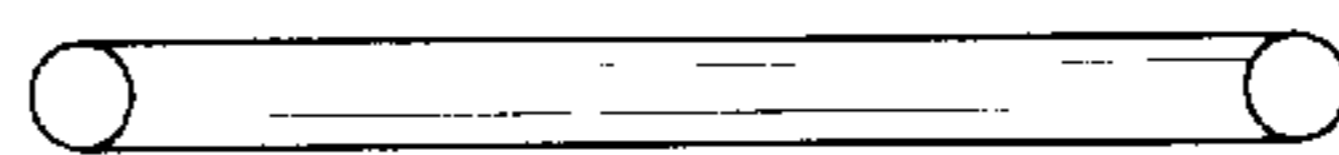
*Fig. 2*



*Fig. 5*



*Fig. 3*



*Fig. 4*