



US00D445362S

(12) **United States Design Patent**
Brys

(10) **Patent No.:** **US D445,362 S**

(45) **Date of Patent:** **** Jul. 24, 2001**

(54) **AIR CHUTE ADAPTER**

(76) Inventor: **Lyle W. Brys**, 7170 E. 67th Pl.,
Commerce City, CO (US) 80642

(**) Term: **14 Years**

(21) Appl. No.: **29/108,018**

(22) Filed: **Jul. 16, 1999**

(51) **LOC (7) Cl.** **12-08**

(52) **U.S. Cl.** **D12/97**

(58) **Field of Search** D12/181, 182,
D12/96, 97, 190, 93; 296/180.1, 180.2,
180.4, 183

(56) **References Cited**

U.S. PATENT DOCUMENTS

D. 283,218	4/1986	Karapetian .	
D. 310,501	9/1990	Byrs .	
D. 319,420	8/1991	Byrs .	
D. 332,440	* 1/1993	Pugh	D12/181
D. 343,159	* 1/1994	Hunter	D12/181 X
D. 367,627	* 3/1996	Brys	D12/97
D. 367,830	* 3/1996	Brys	D12/97
D. 384,317	* 9/1997	Jahnke	D12/181
D. 415,085	* 10/1999	Fitzgerald et al.	D12/181
3,879,955	4/1975	Dostal et al. .	
4,399,737	8/1983	Severson .	
4,795,121	1/1989	Comito .	
4,887,473	12/1989	Fenton et al. .	
5,078,448	* 1/1992	Selzer et al.	296/180.2

* cited by examiner

Primary Examiner—Melody N. Brown
(74) *Attorney, Agent, or Firm*—Holland & Hart LLP

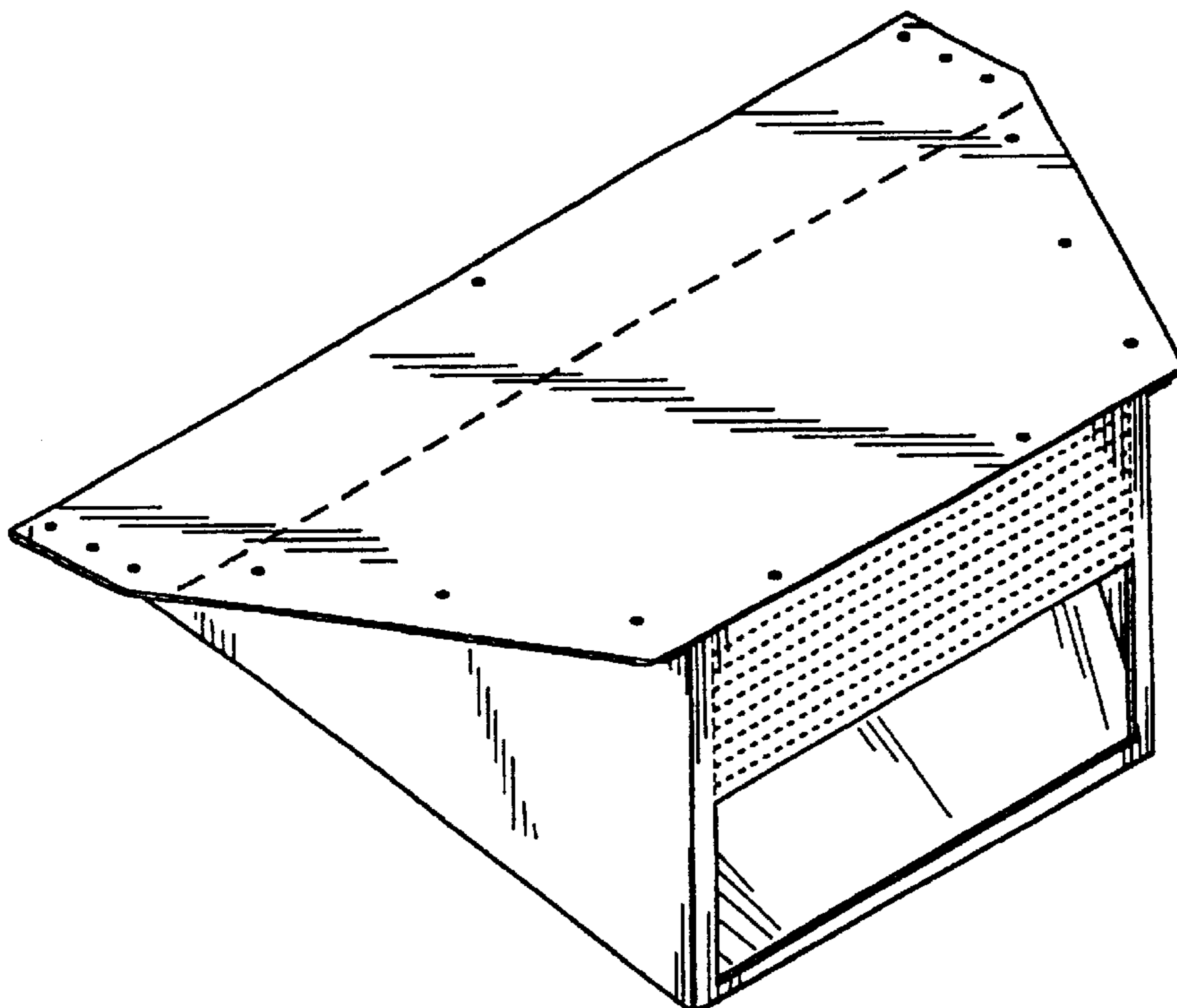
(57) **CLAIM**

The ornamental design for an air chute adapter, as shown and described.

DESCRIPTION

FIG. 1 is perspective view of an air chute adapter in accordance with the present invention;
 FIG. 2 is a front view of an air chute adapter in accordance with the present invention;
 FIG. 3 is a top view of an air chute adapter in accordance with the present invention;
 FIG. 4 is a back view of an air chute adapter in accordance with the present invention;
 FIG. 5 is a bottom view of an air chute adapter in accordance with the present invention;
 FIG. 6 is a right side view of an air chute adapter in accordance with the present invention;
 FIG. 7 is a left side view of an air chute adapter in accordance with the present invention;
 FIG. 8 is an unfolded view of an air chute adapter in accordance with the present invention; and,
 FIG. 9 is a reduced right side elevational view of the air chute adapter, it being understood that the broken lines are for illustrative purposes only and form no part of the claimed design.

1 Claim, 5 Drawing Sheets



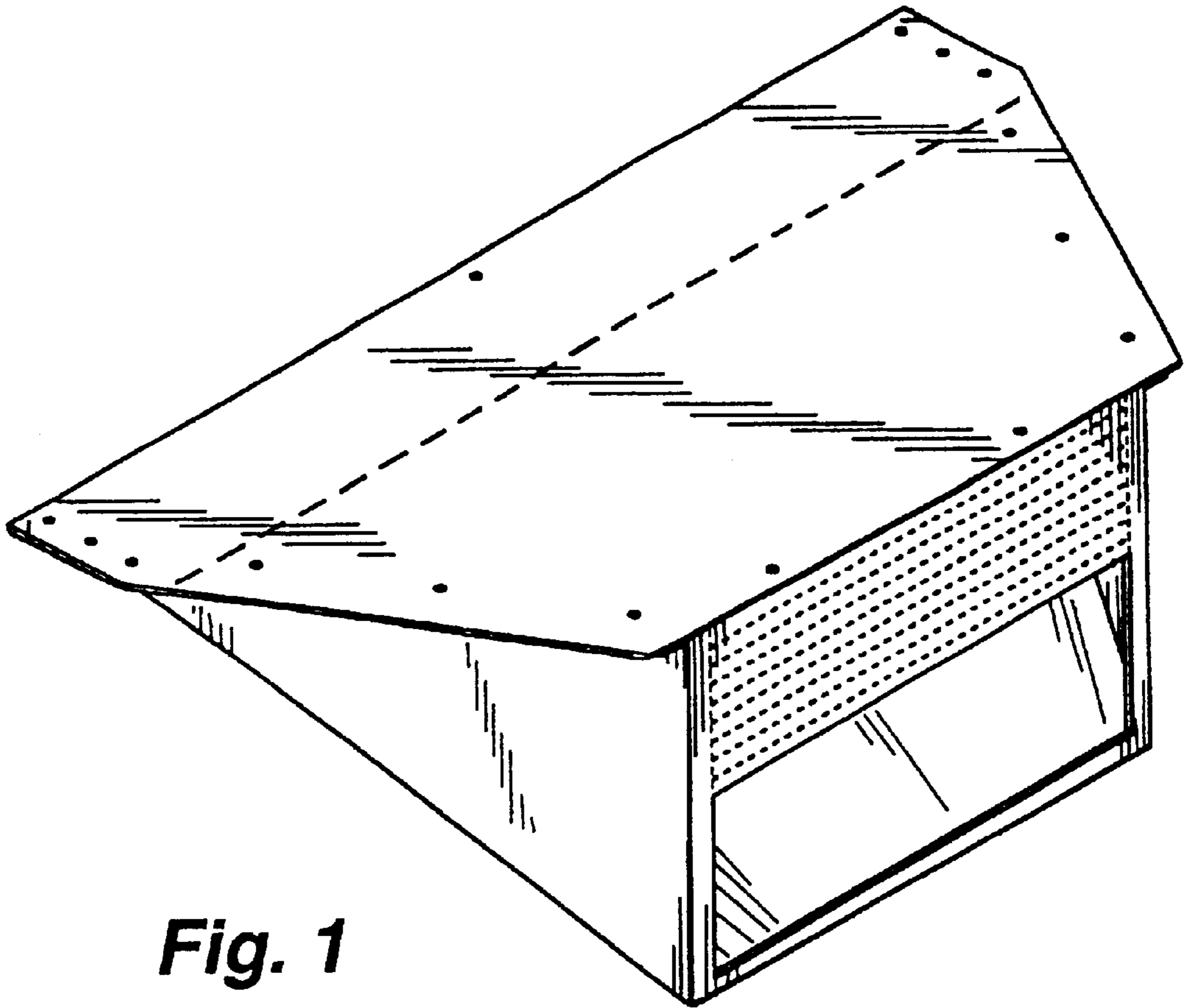


Fig. 1

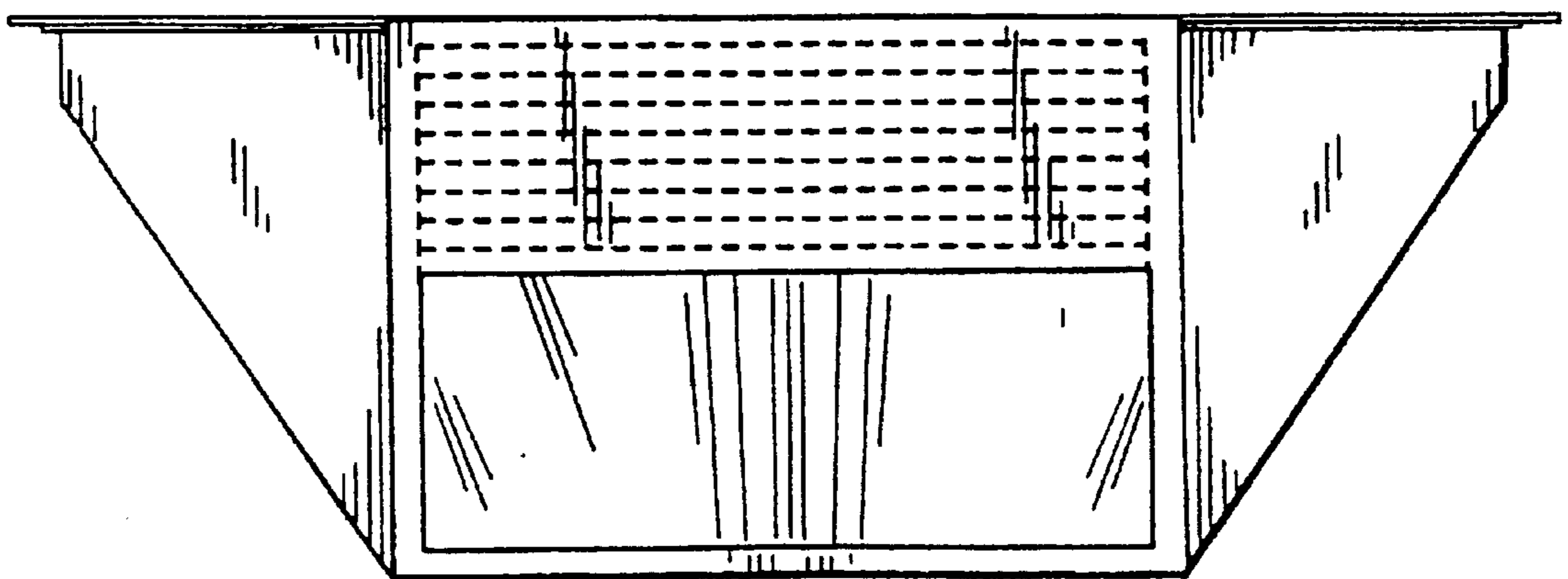


Fig. 2

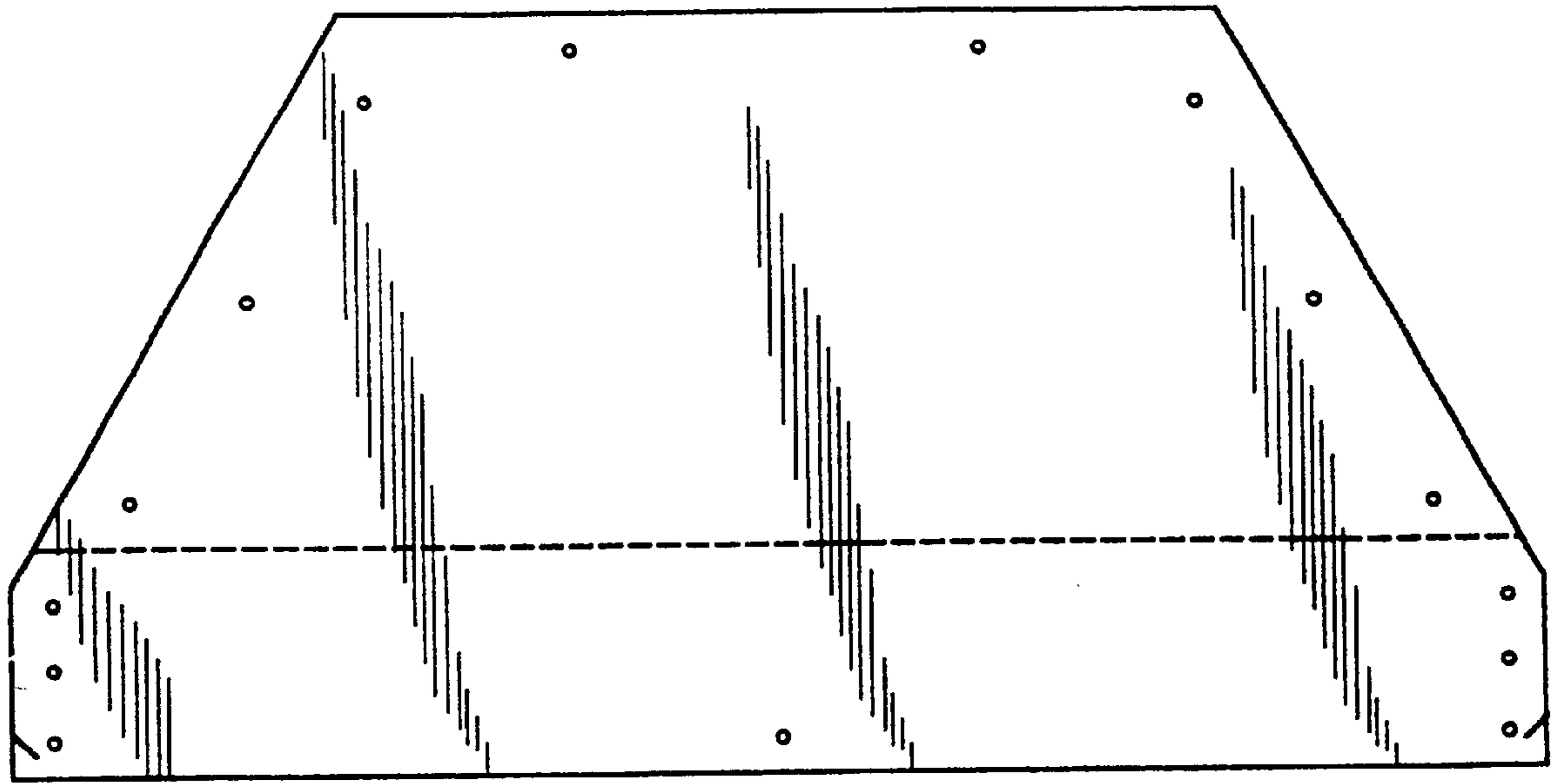


Fig. 3

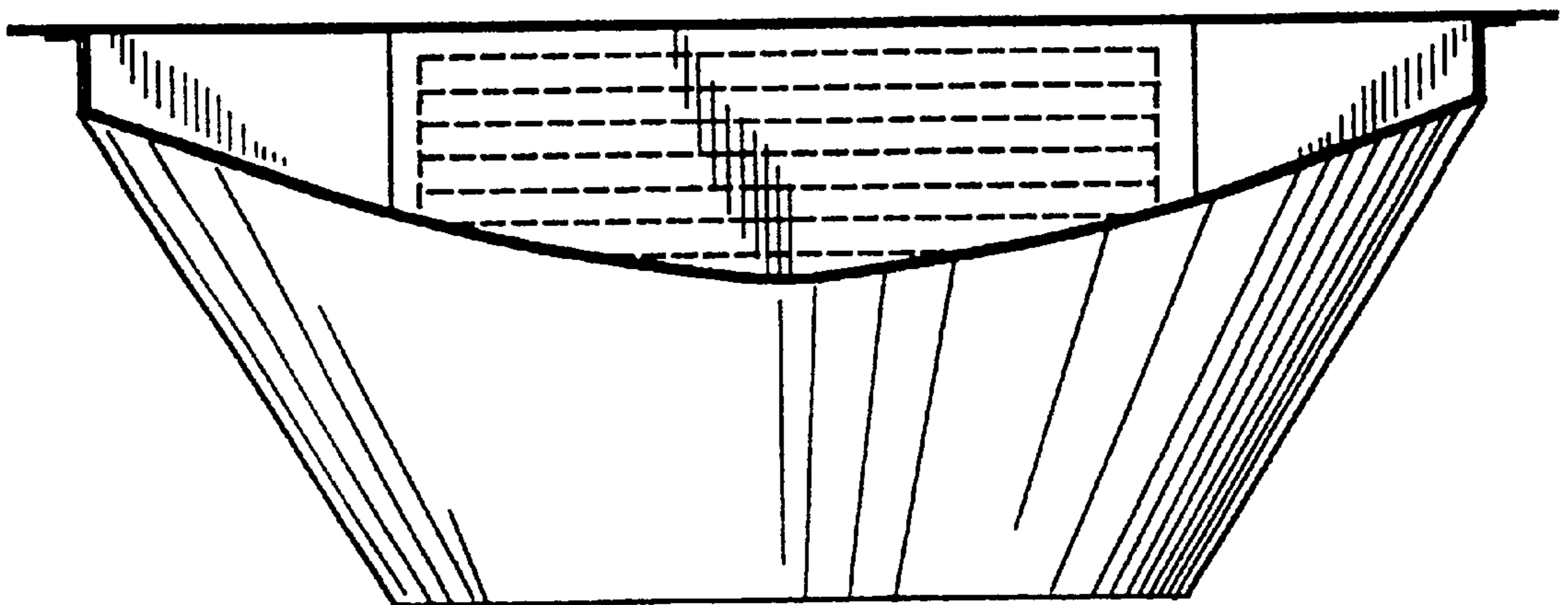


Fig. 4

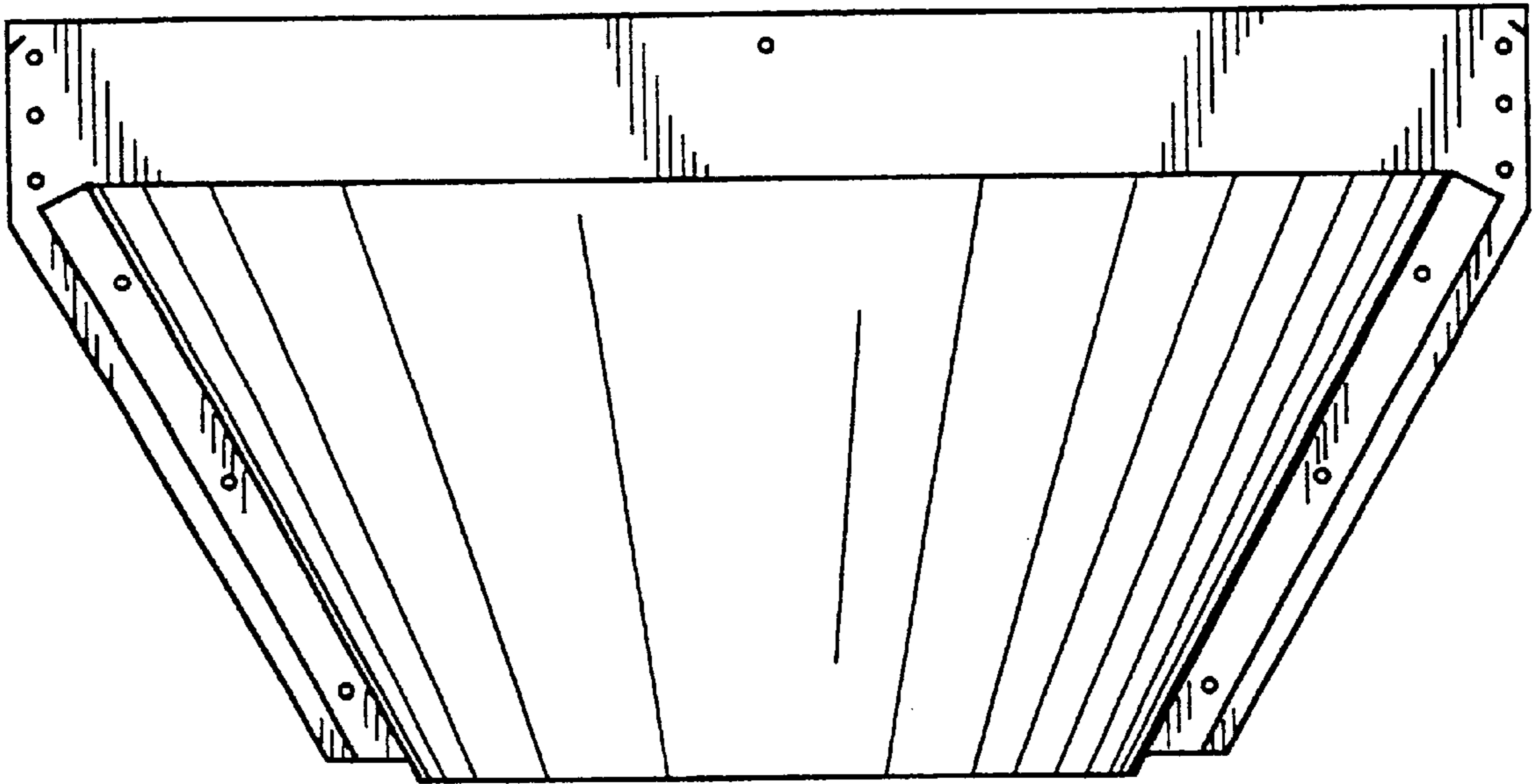


Fig. 5

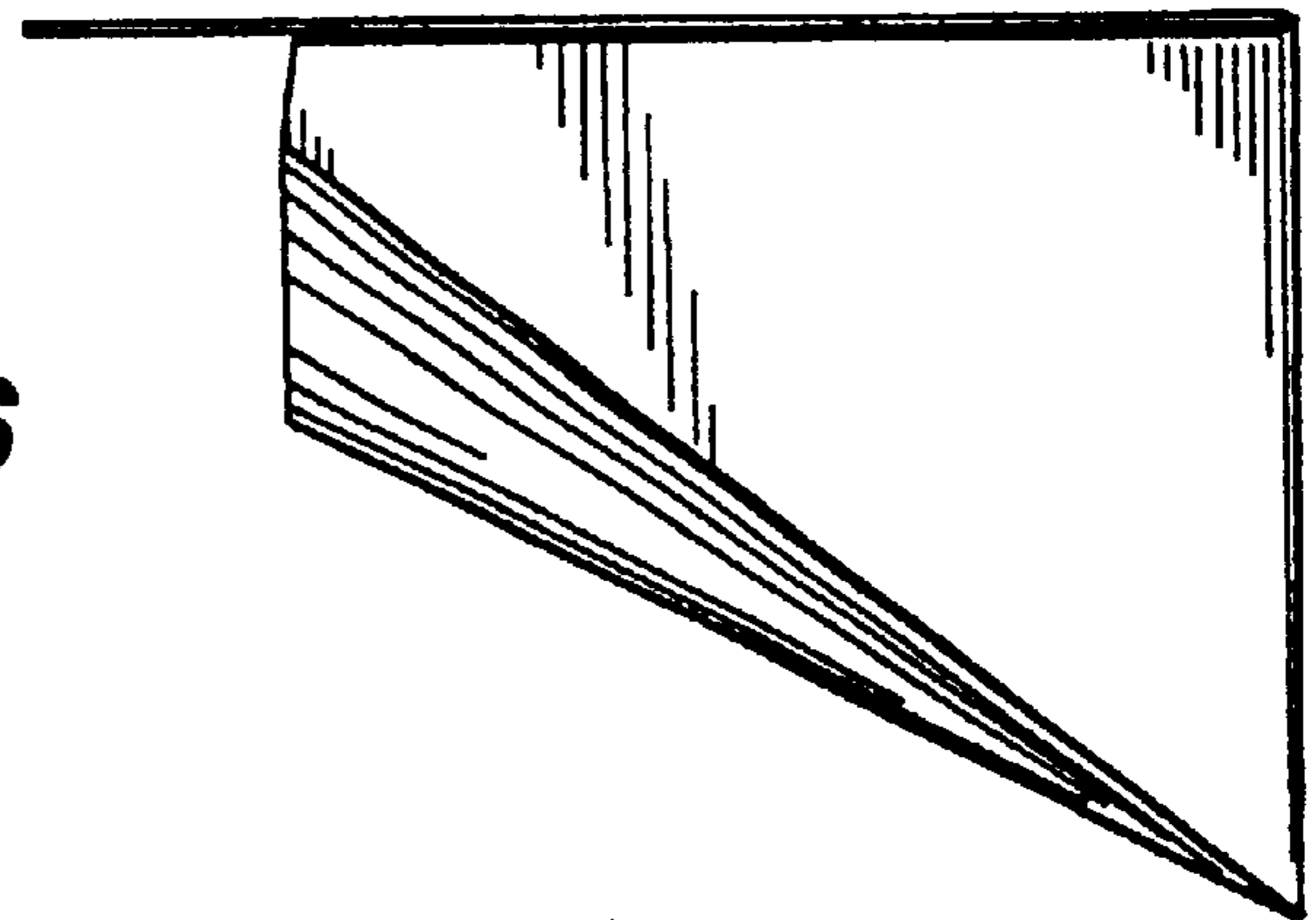


Fig. 6

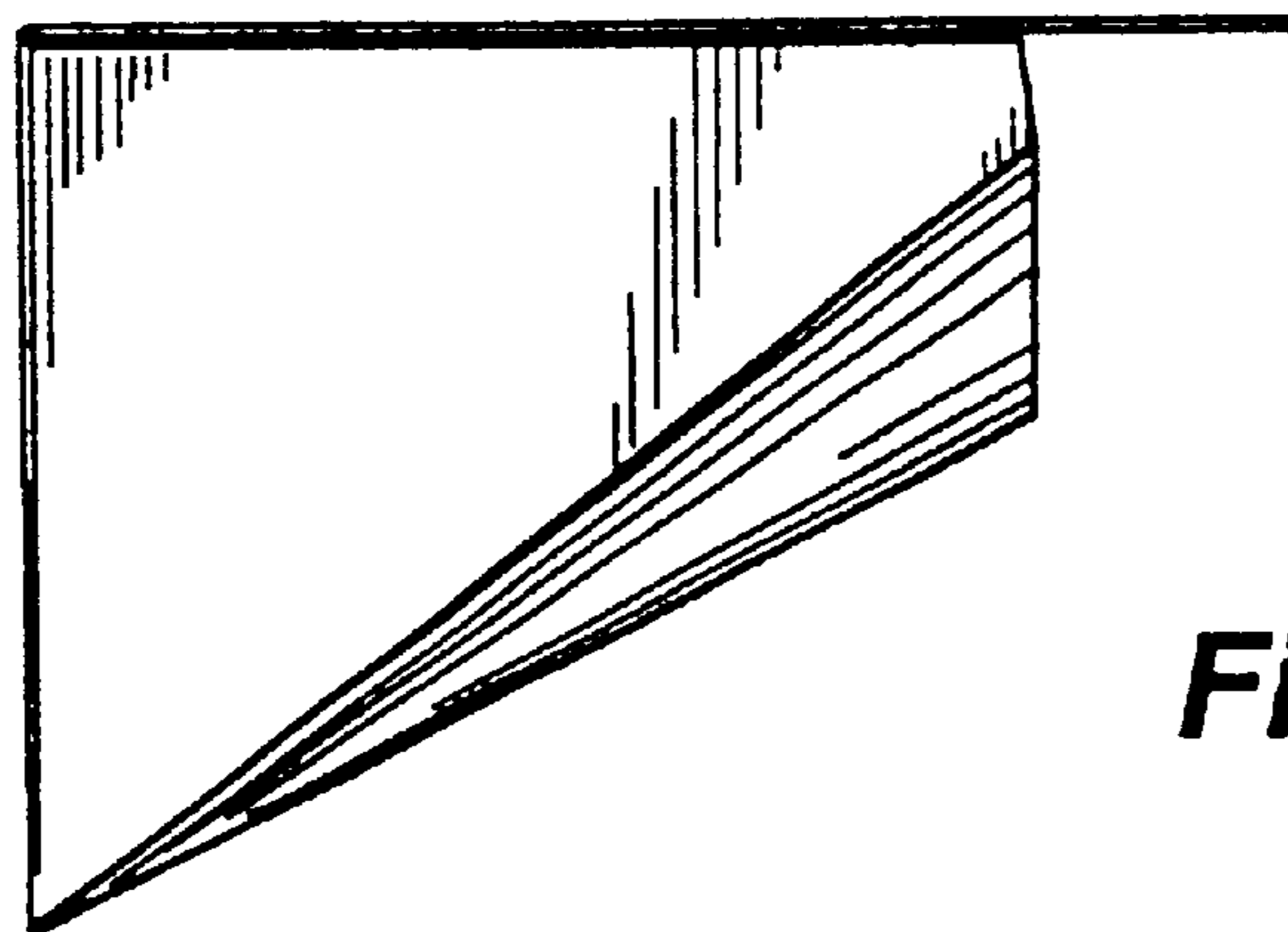


Fig. 7

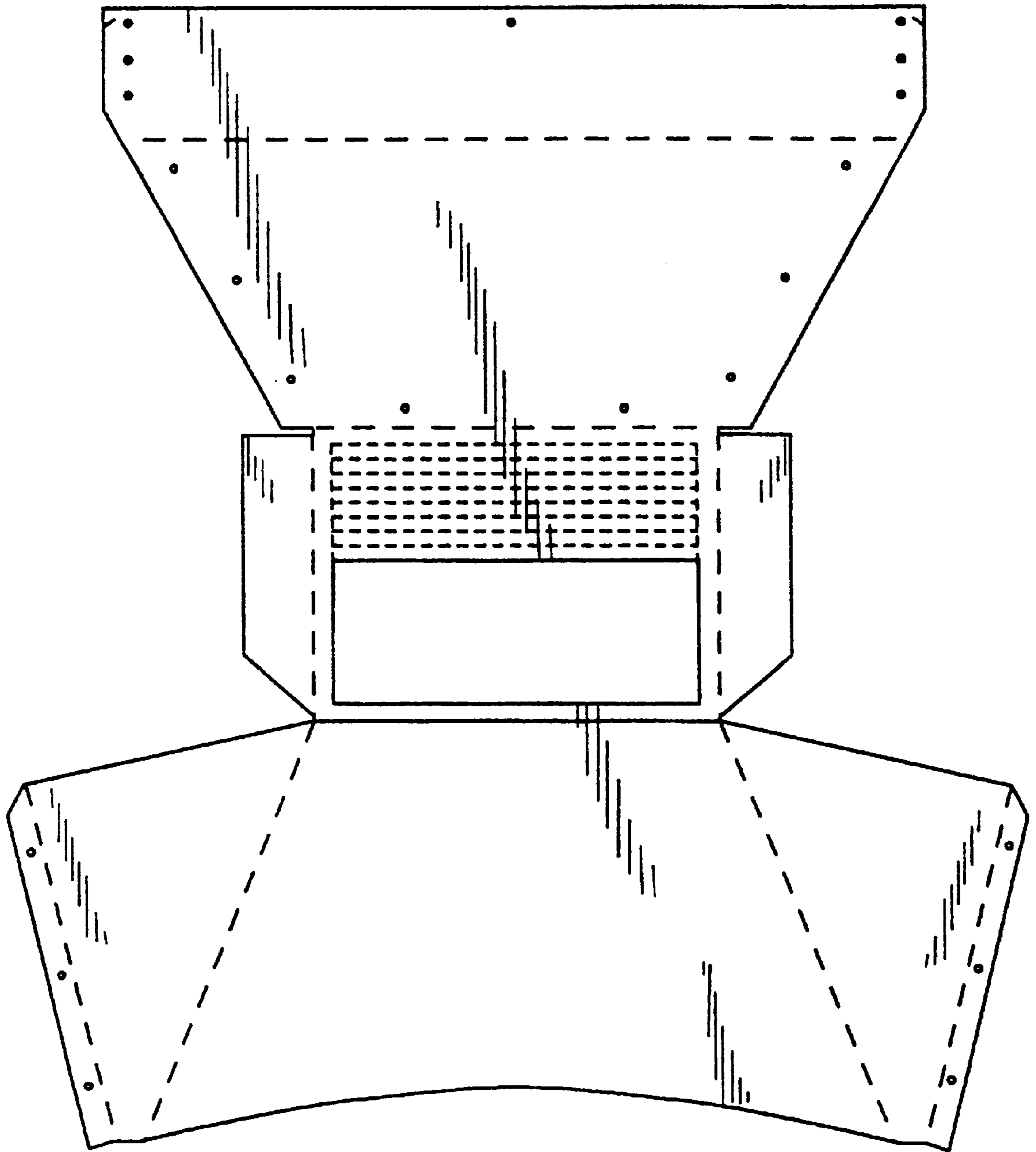


Fig. 8

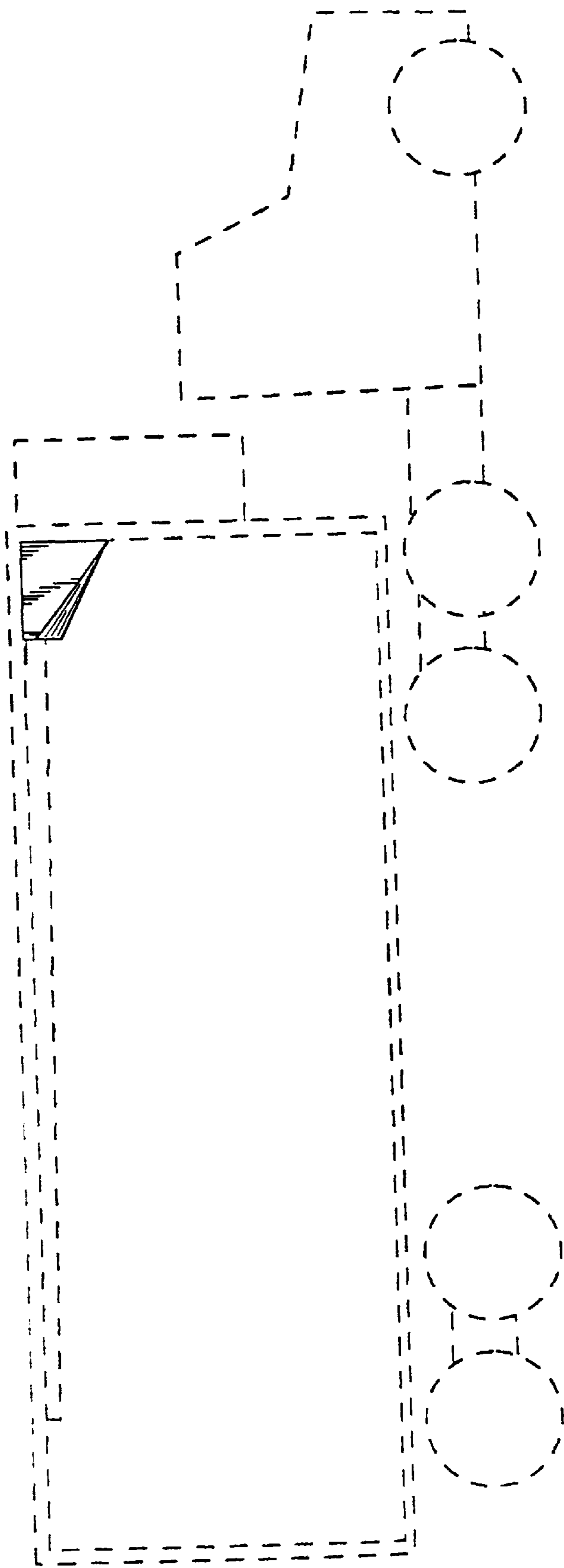


Fig. 9